

US00D643563S

(12) **United States Design Patent**
Gilad

(10) **Patent No.:** **US D643,563 S**

(45) **Date of Patent:** **** Aug. 16, 2011**

(54) **LIGHTING DEVICE**

(75) Inventor: **Ron Gilad**, Brescia (IT)

(73) Assignee: **Flos S.p.A.**, Brescia (IT)

(**) Term: **14 Years**

(21) Appl. No.: **29/376,776**

(22) Filed: **Oct. 12, 2010**

(30) **Foreign Application Priority Data**

Apr. 12, 2010 (IT) BS2010O0019

(51) **LOC (9) Cl.** **26-03**

(52) **U.S. Cl.** **D26/87**

(58) **Field of Classification Search** D26/63,
D26/68, 85, 87, 92; 362/147, 404-408, 431,
362/432

See application file for complete search history.

(56) **References Cited**

U.S. PATENT DOCUMENTS

D177,715 S *	5/1956	Clemens	D26/87
D232,966 S *	9/1974	Shemitz	D26/87
D340,780 S *	10/1993	Porter	D26/80
D419,713 S *	1/2000	Diaz-Azcuy	D26/87
D495,082 S *	8/2004	Marchand	D26/65
D535,428 S *	1/2007	Flores et al.	D26/87
D536,472 S *	2/2007	Tsai	D26/87
D563,013 S *	2/2008	Levine	D26/63

D581,571 S *	11/2008	Levine	D26/63
D590,977 S *	4/2009	Mullen	D26/62
D592,341 S *	5/2009	Fan	D26/63

OTHER PUBLICATIONS

Alma 3-Light wall sconce #SC-3ALM-05 from the Quintessentials collection on p. 257 of the Eurofase Illuminations catalog #EF-09, © 2009. (2 pages—includes rear cover of catalog).*

Kasper 7-light wall sconce #14758-010 from the Form and Function collection on p. 61 of the Eurofase Fundamentals catalog #FUND-10, © 2010. (2 pages—includes rear cover of catalog).*

* cited by examiner

Primary Examiner — Clare E Heflin

(74) *Attorney, Agent, or Firm* — Fitch, Stewart, Kolasch & Birch, LLP

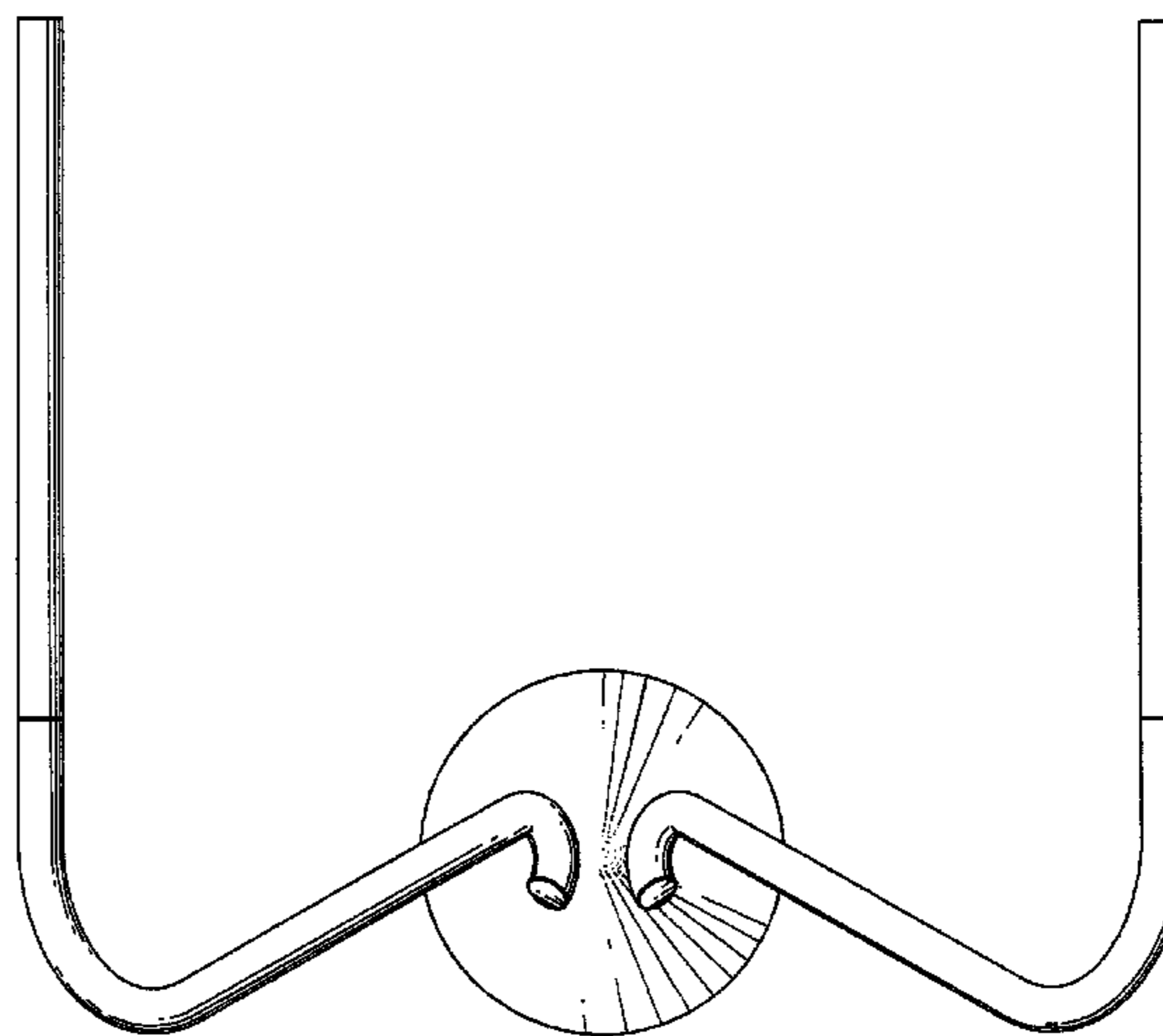
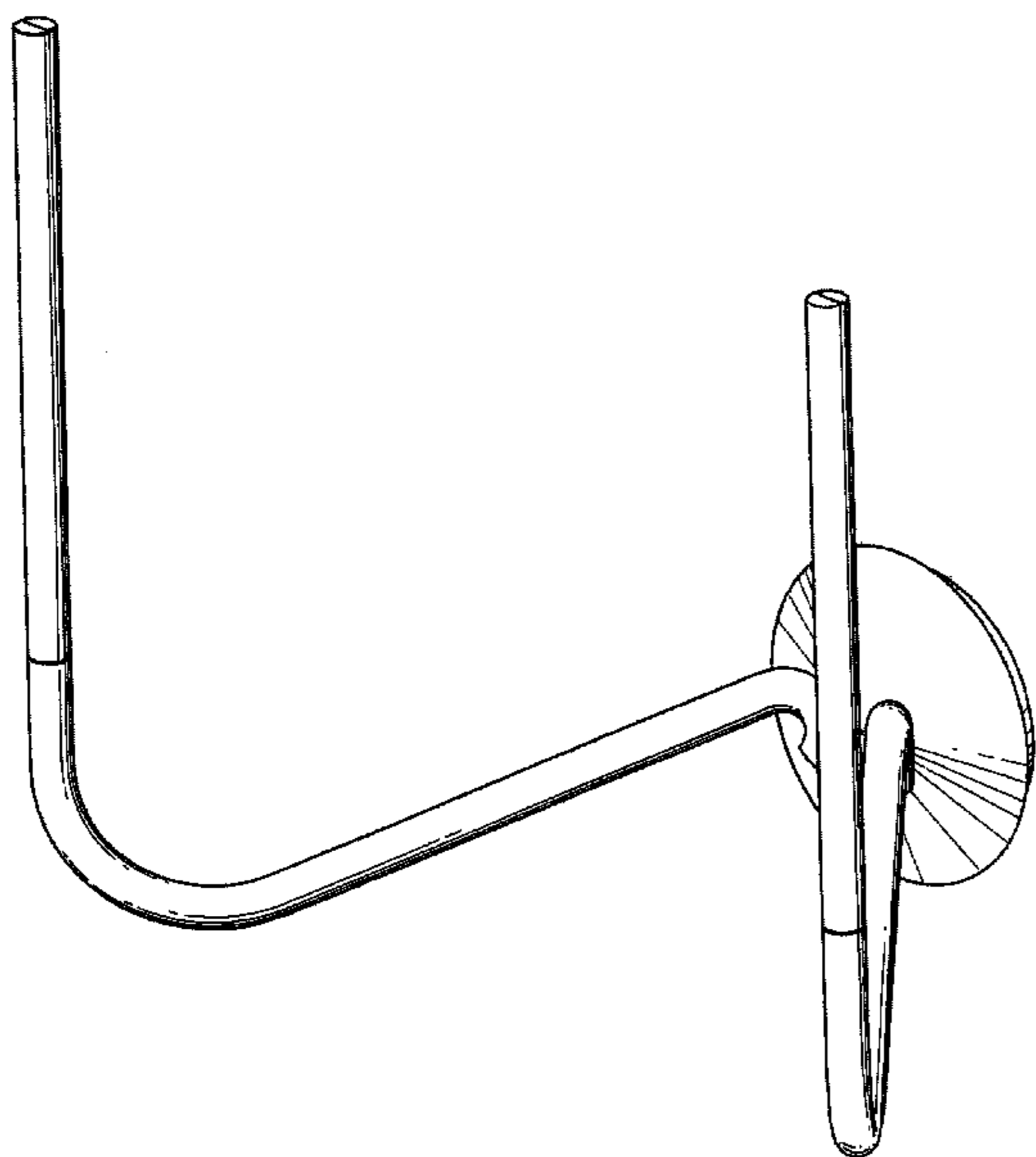
(57) **CLAIM**

The ornamental design for a lighting device, as shown and described.

DESCRIPTION

FIG. 1 is a rear perspective view showing my new design; FIG. 2 is a right side elevational view thereof; FIG. 3 is a rear elevational view thereof; FIG. 4 is a front elevational view thereof; FIG. 5 is a top plan view thereof; and, FIG. 6 is a bottom plan view thereof.

1 Claim, 6 Drawing Sheets



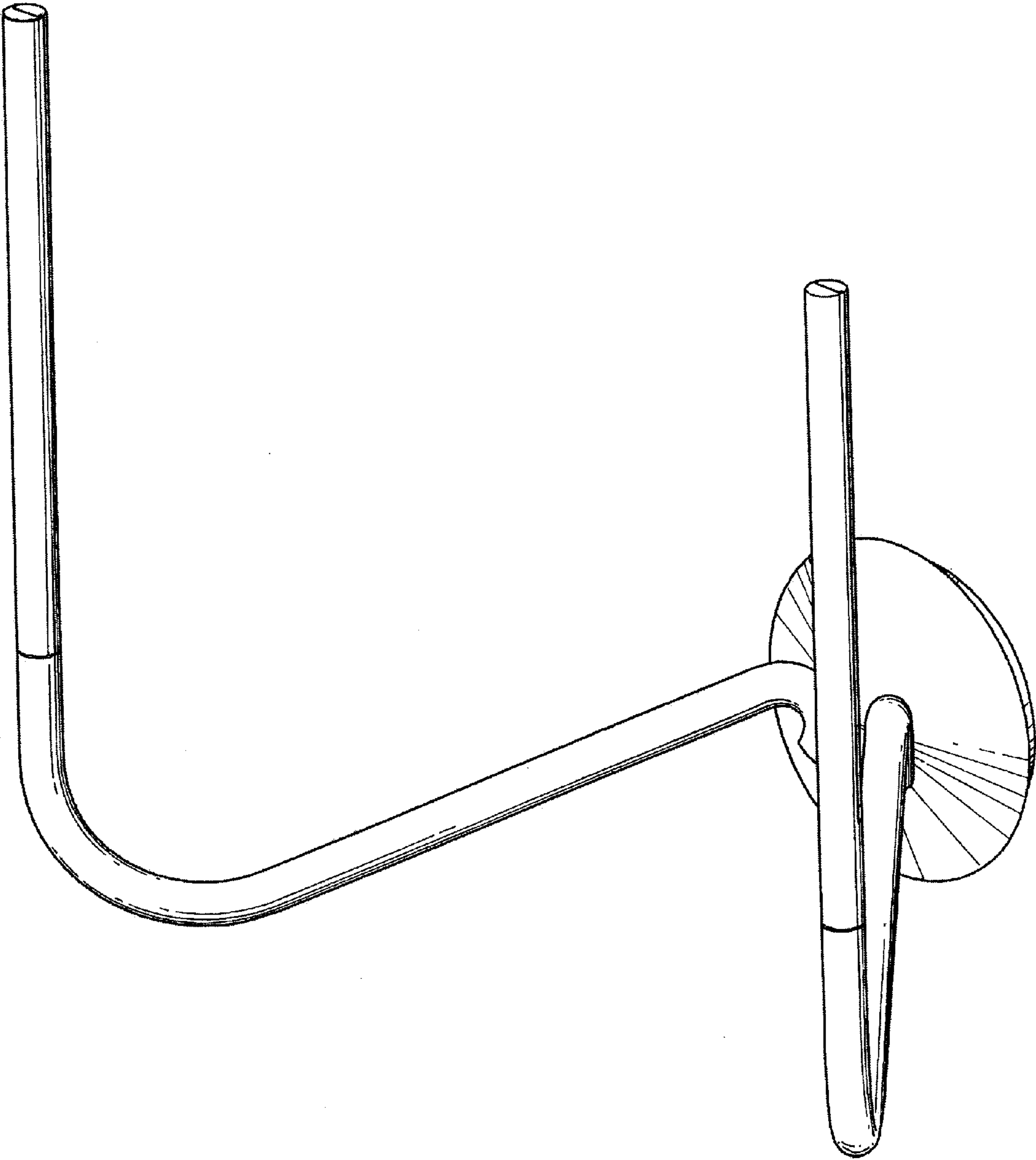


FIG. 1

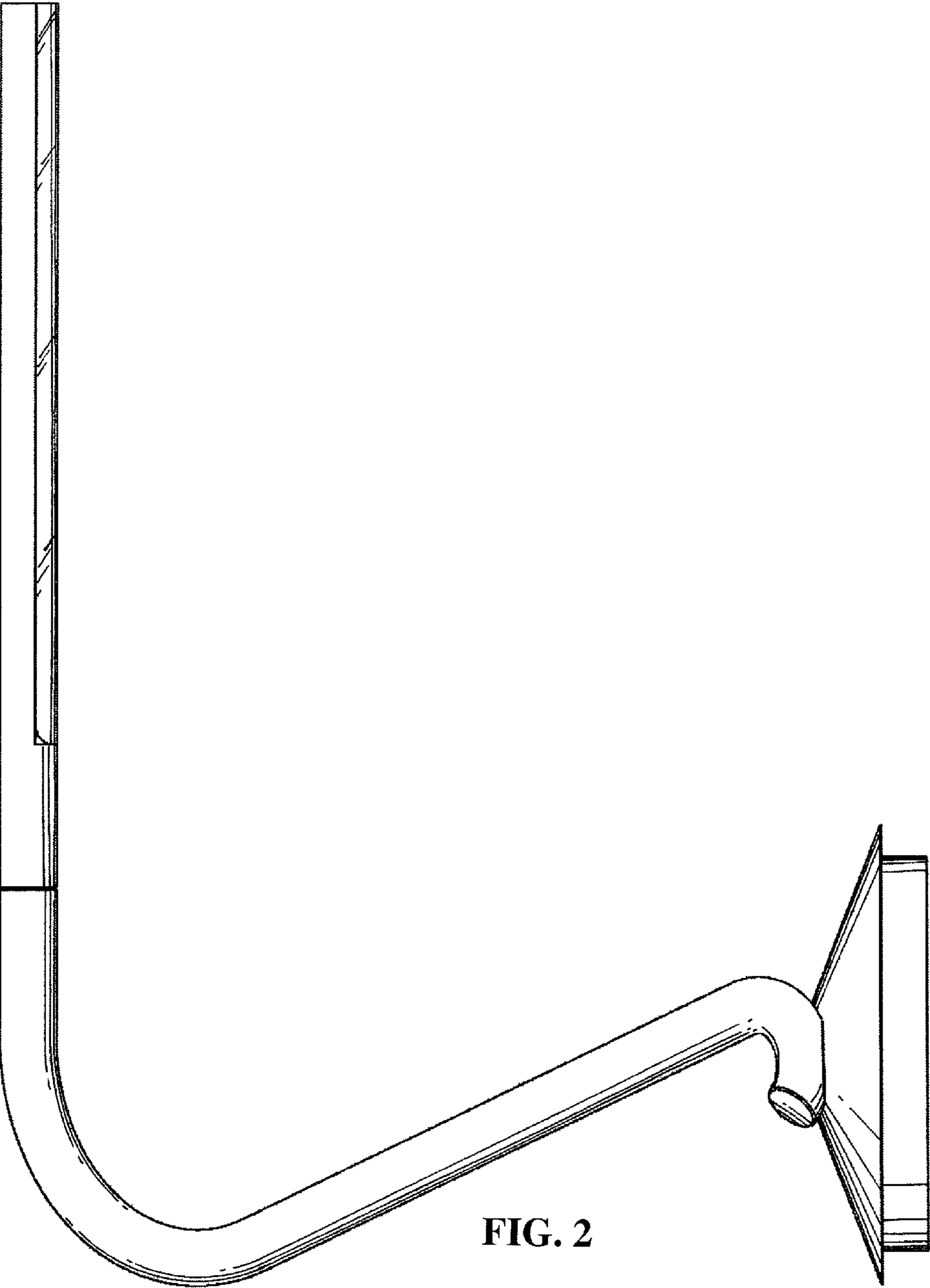


FIG. 2

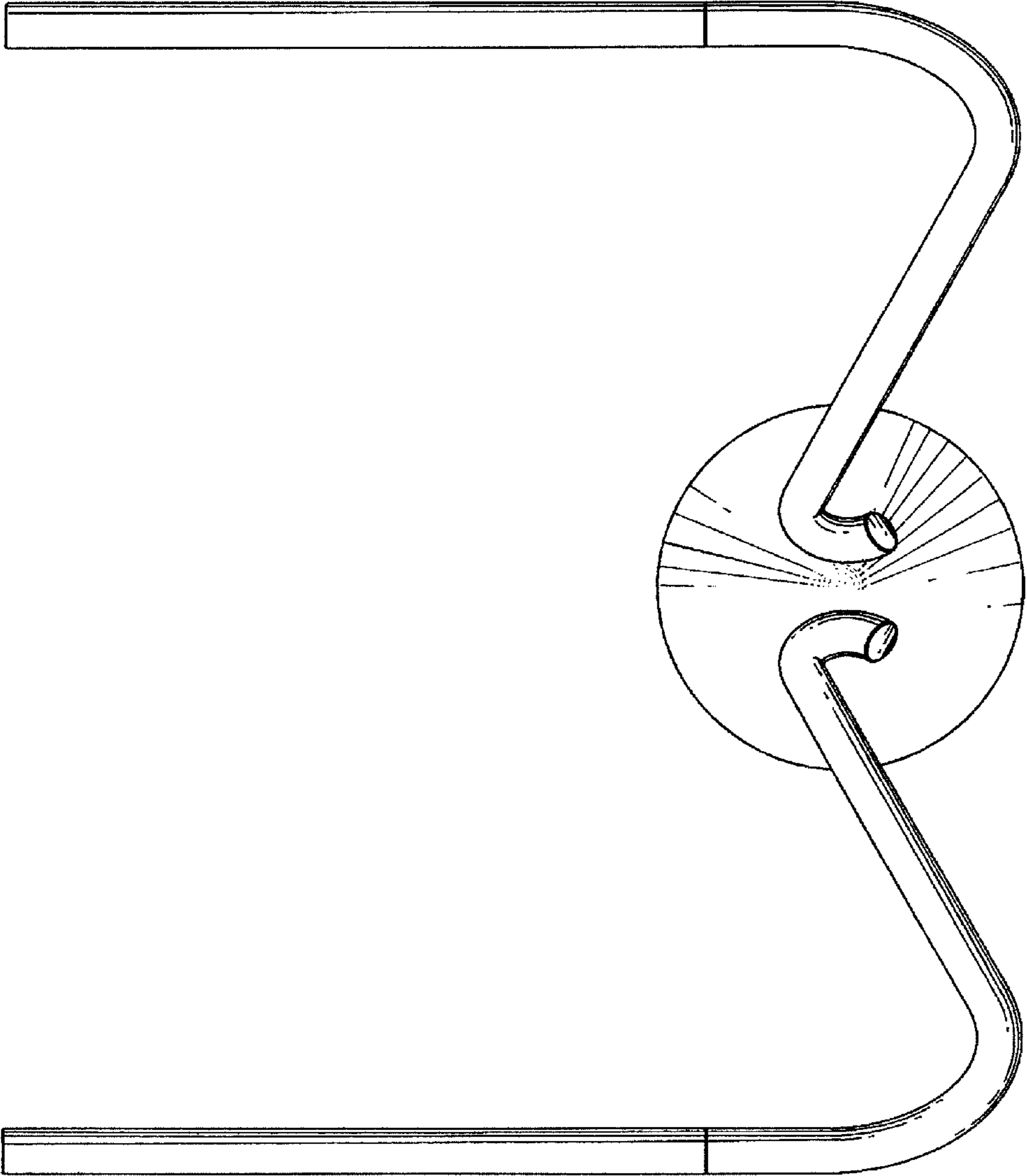


FIG. 3

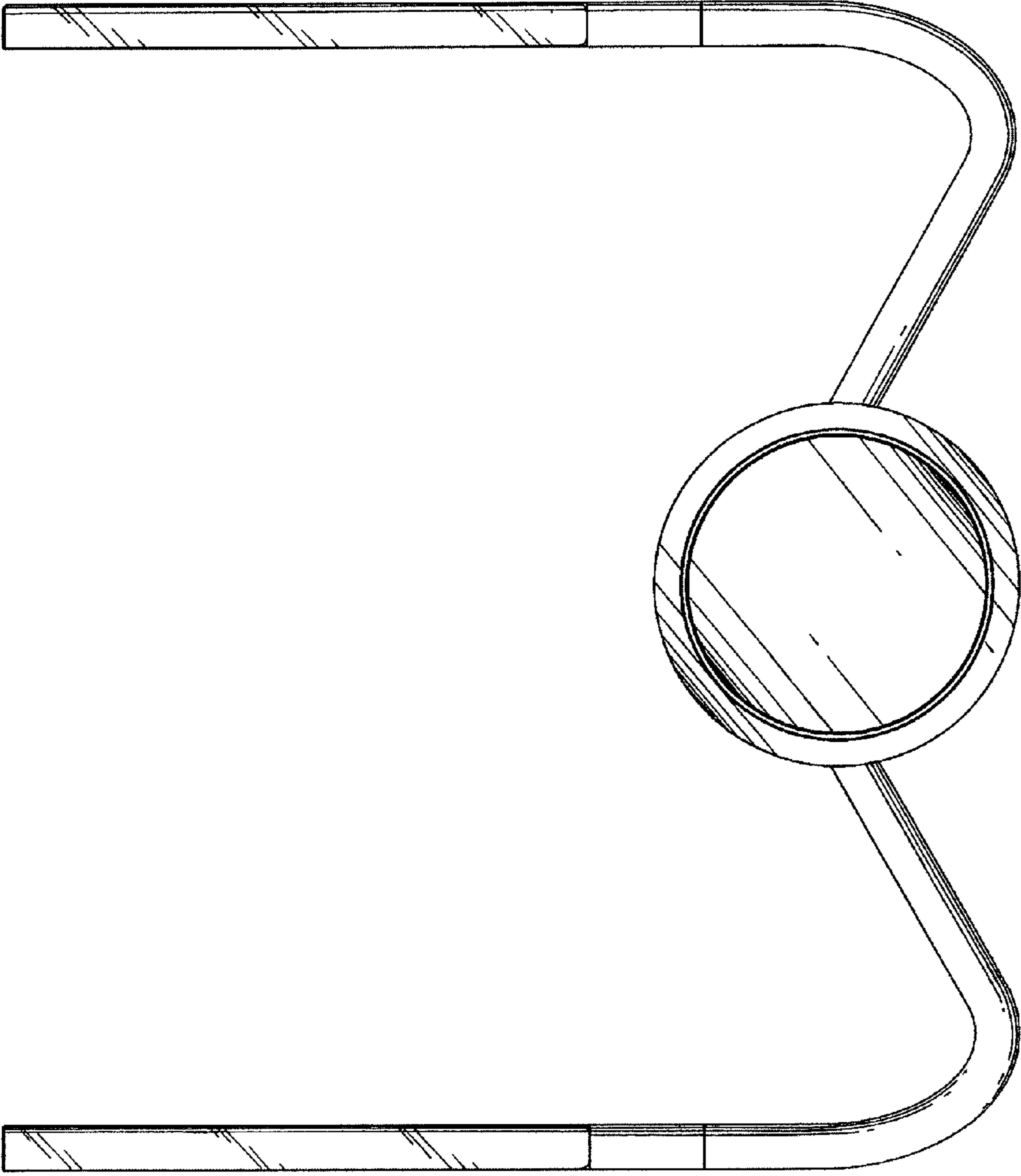


FIG. 4

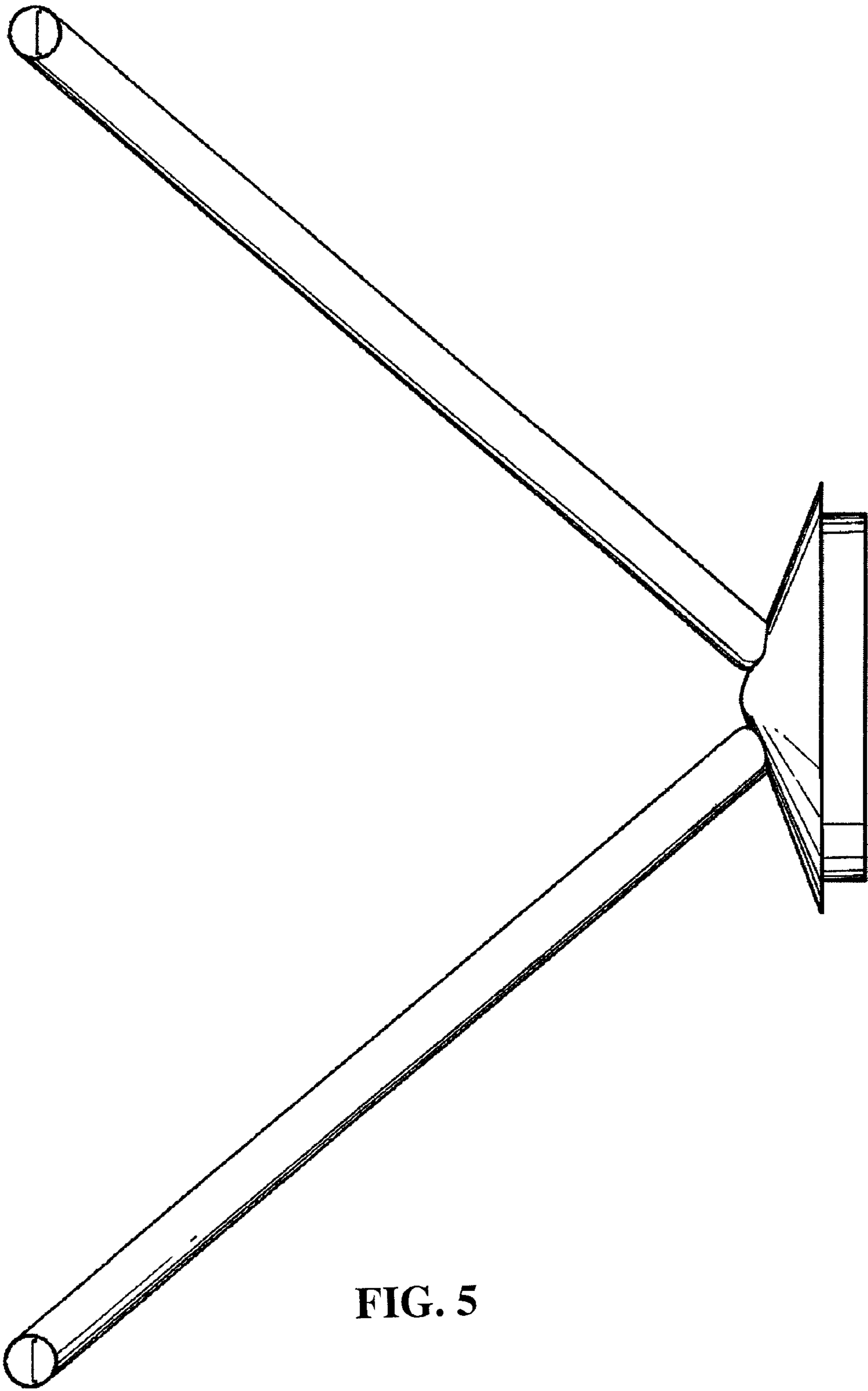


FIG. 5

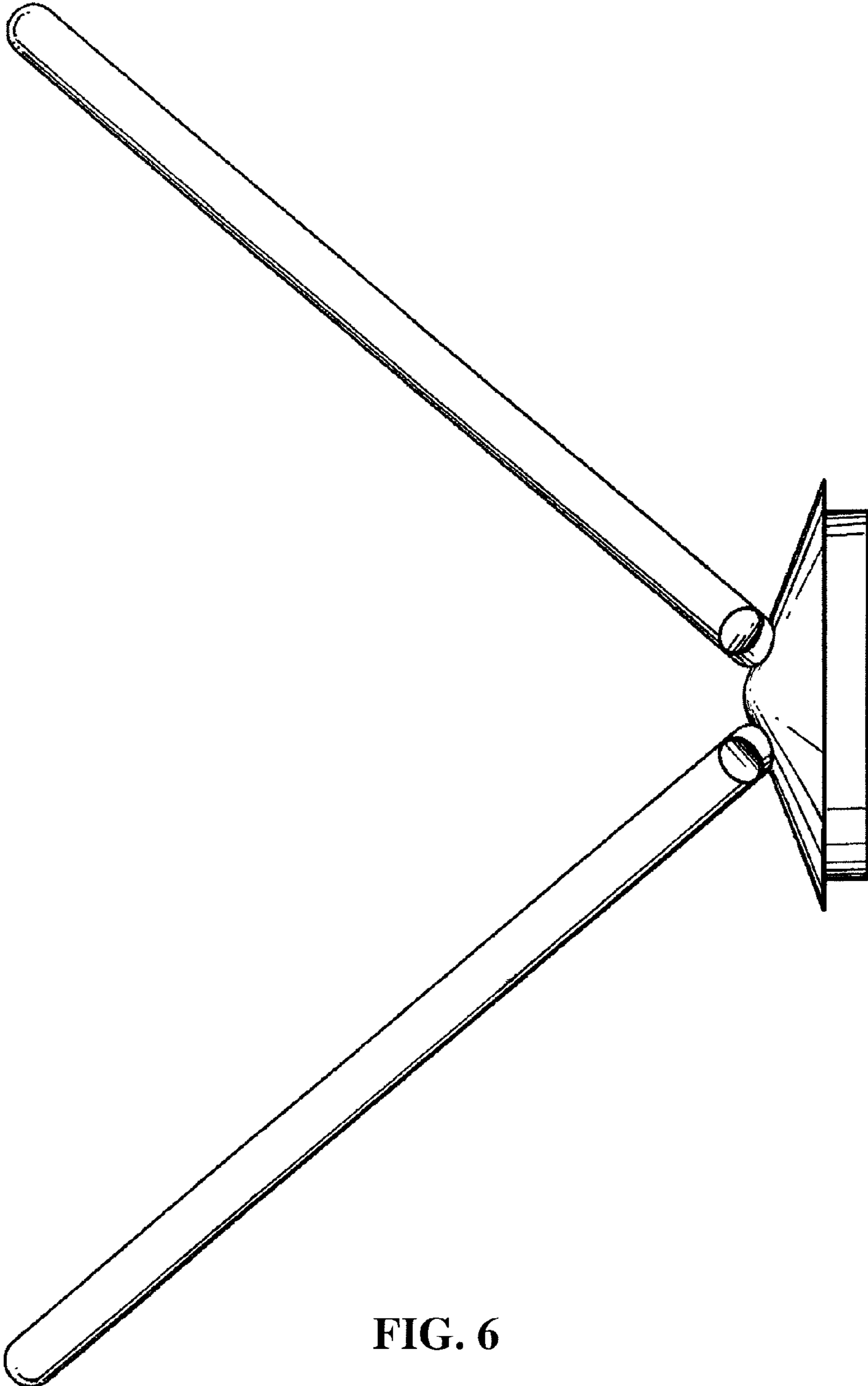


FIG. 6