



US00D643560S

(12) **United States Design Patent**
Tompkin

(10) **Patent No.:** **US D643,560 S**

(45) **Date of Patent:** **** Aug. 16, 2011**

(54) **LANTERN**

(75) **Inventor:** **Crispian Tompkin**, Los Angeles, CA
(US)

(73) **Assignee:** **MerchSource, LLC**, Foothill Ranch, CA
(US)

(**) **Term:** **14 Years**

(21) **Appl. No.:** **29/368,554**

(22) **Filed:** **Aug. 25, 2010**

(51) **LOC (9) Cl.** **26-02**

(52) **U.S. Cl.** **D26/40**

(58) **Field of Classification Search** D26/37,
D26/40, 38, 41, 43, 44, 46, 48–50; 362/157,
362/158, 183, 184, 186, 194, 195–196, 200–208
See application file for complete search history.

(56) **References Cited**

U.S. PATENT DOCUMENTS

D342,800 S *	12/1993	Petterson et al.	D26/41
5,293,306 A *	3/1994	Bamber	362/186
D365,164 S *	12/1995	Yuen	D26/48
D374,099 S *	9/1996	Bamber	D26/41
5,860,729 A *	1/1999	Bamber	362/184
D432,691 S *	10/2000	Meoli, Jr.	D26/42
D439,689 S *	3/2001	Yuen	D26/42
D523,577 S *	6/2006	Bayat et al.	D26/42
D541,961 S *	5/2007	Tarter et al.	D26/40
D541,962 S *	5/2007	Bayat et al.	D26/42

D555,264 S *	11/2007	Farmer	D26/37
D570,510 S *	6/2008	DeBrunner	D26/40
D604,435 S *	11/2009	Kingston et al.	D26/37
D618,831 S *	6/2010	Pennington	D26/26

* cited by examiner

Primary Examiner — Ian Simmons

Assistant Examiner — Carissa C Fitts

(74) *Attorney, Agent, or Firm* — The Eclipse Group LLP

(57) **CLAIM**

I claim the ornamental design for a lantern, as shown and described.

DESCRIPTION

FIG. 1 is a perspective view of the right side of a lantern.
 FIG. 2 is a front elevation view of the lantern illustrated in FIG. 1.
 FIG. 3 is a back elevation view of the lantern illustrated in FIG. 1.
 FIG. 4 is an elevation view of the right side of the lantern illustrated in FIG. 1.
 FIG. 5 is a rear elevation view of the lantern illustrated in FIG. 1.
 FIG. 6 is a top view of the lantern illustrated in FIG. 1; and,
 FIG. 7 is a bottom view of the lantern illustrated in FIG. 1.
 The portions of the lantern in broken lines are shown for illustrative purposes only and form no part of the claimed design.

1 Claim, 4 Drawing Sheets

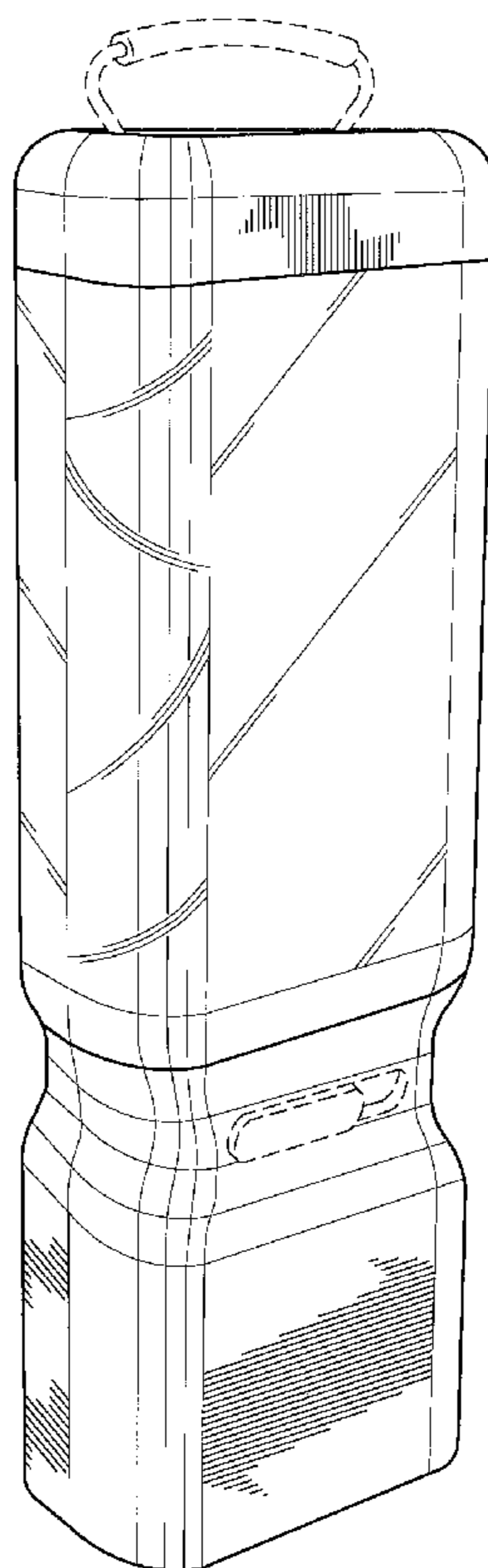


FIG. 1

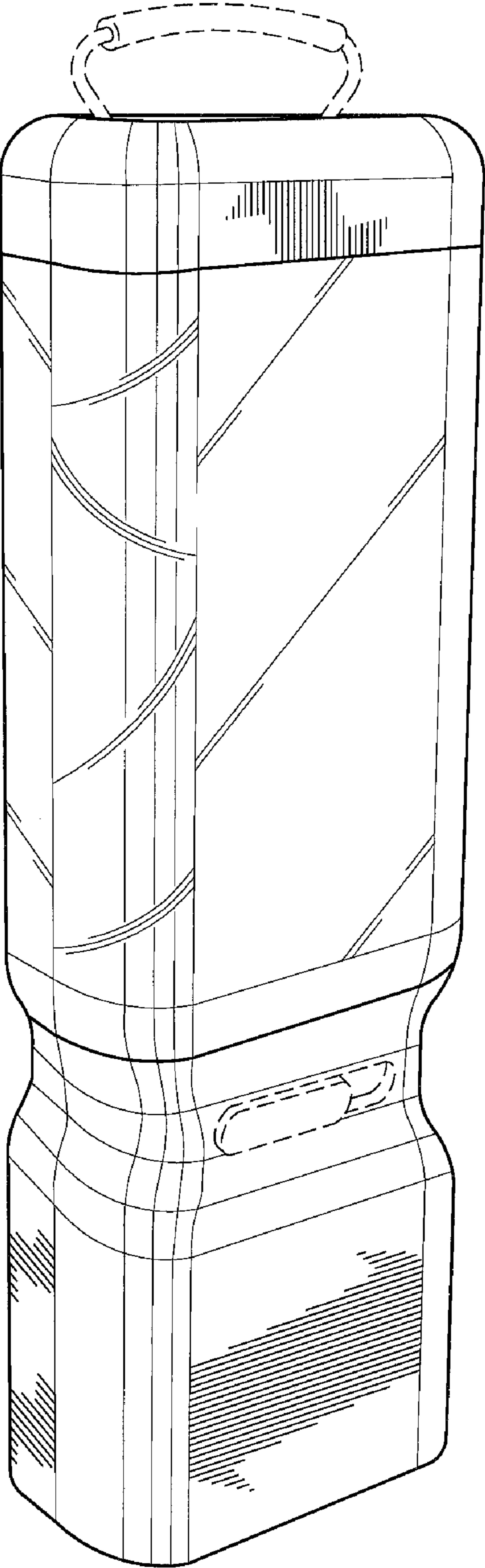


FIG. 2

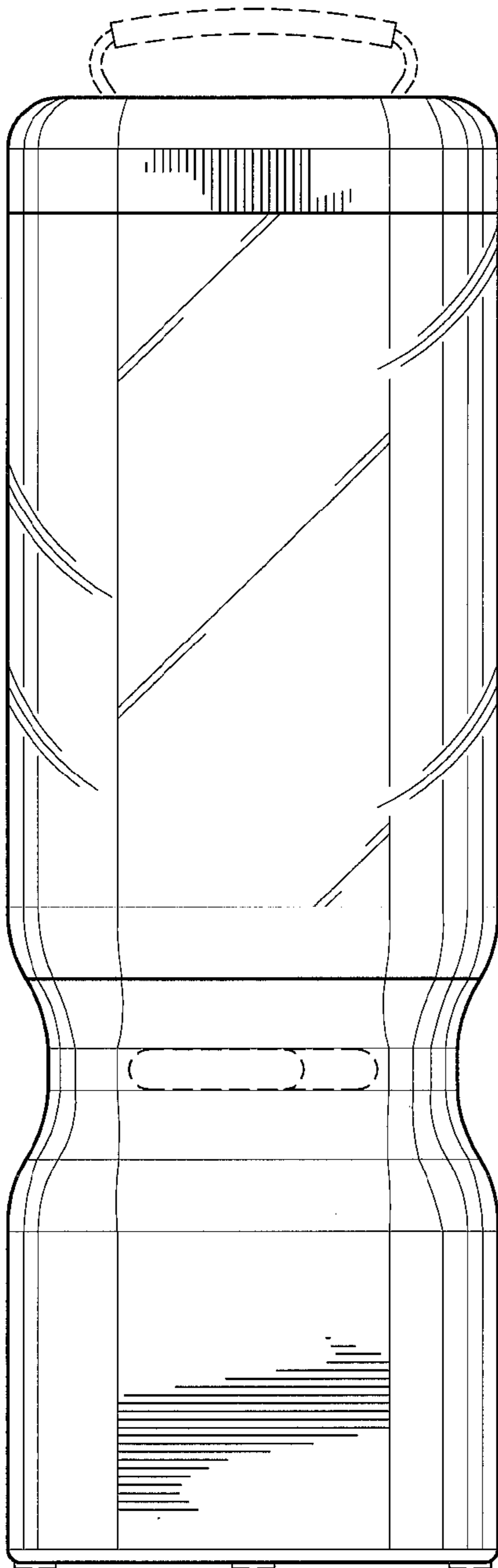


FIG. 3

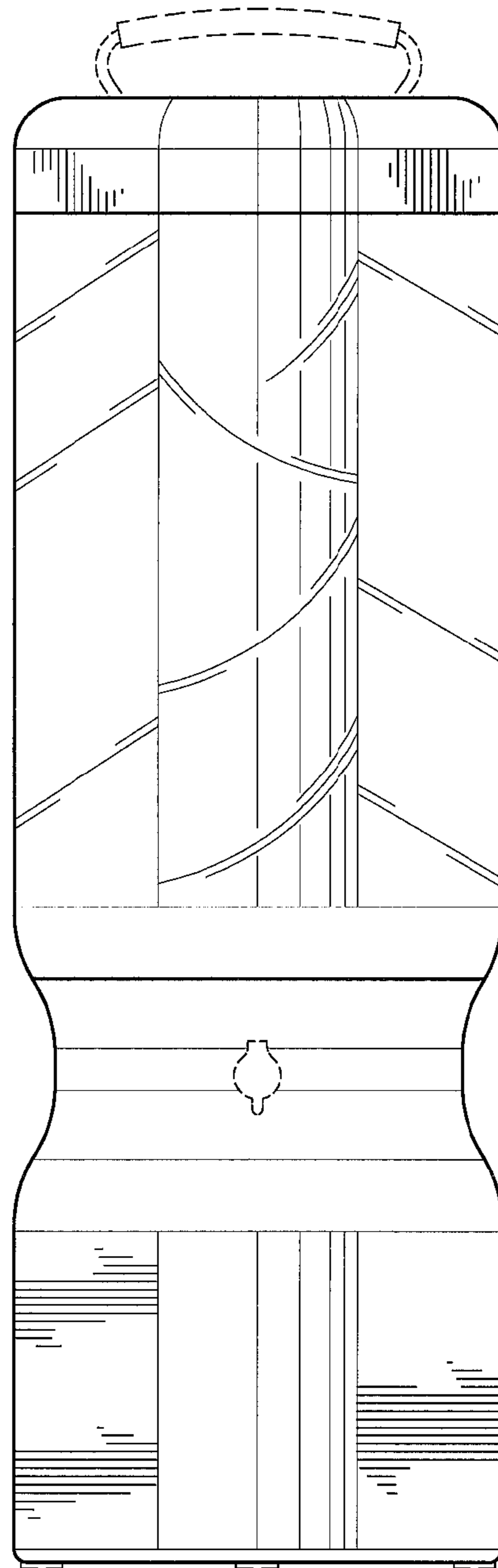


FIG. 4

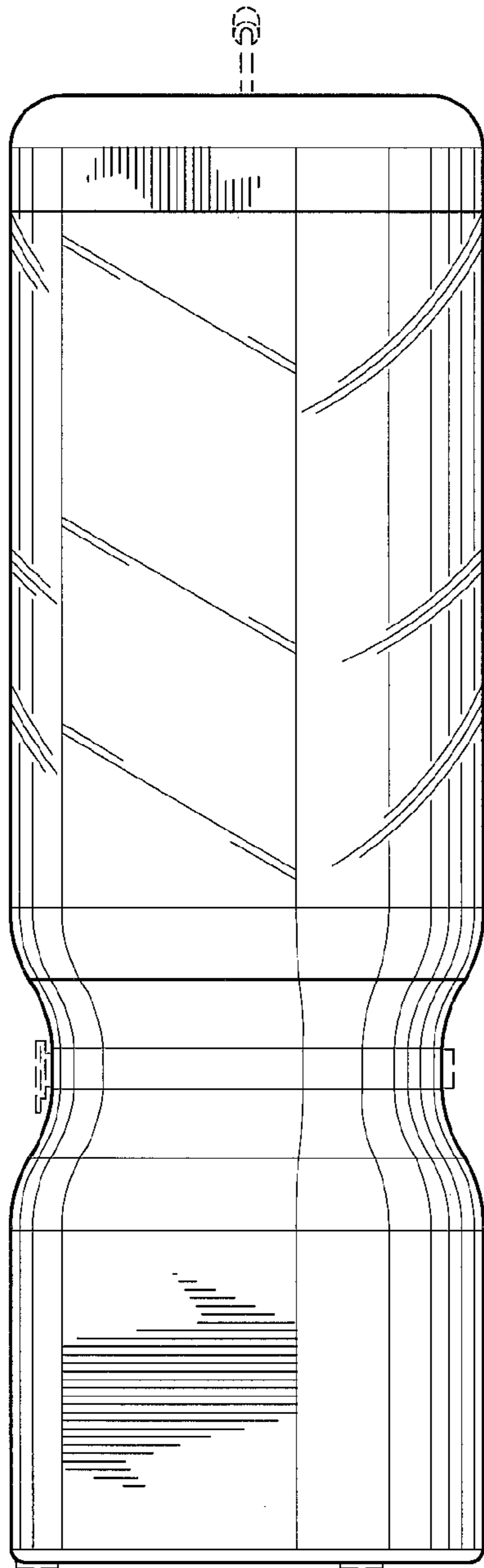


FIG. 5

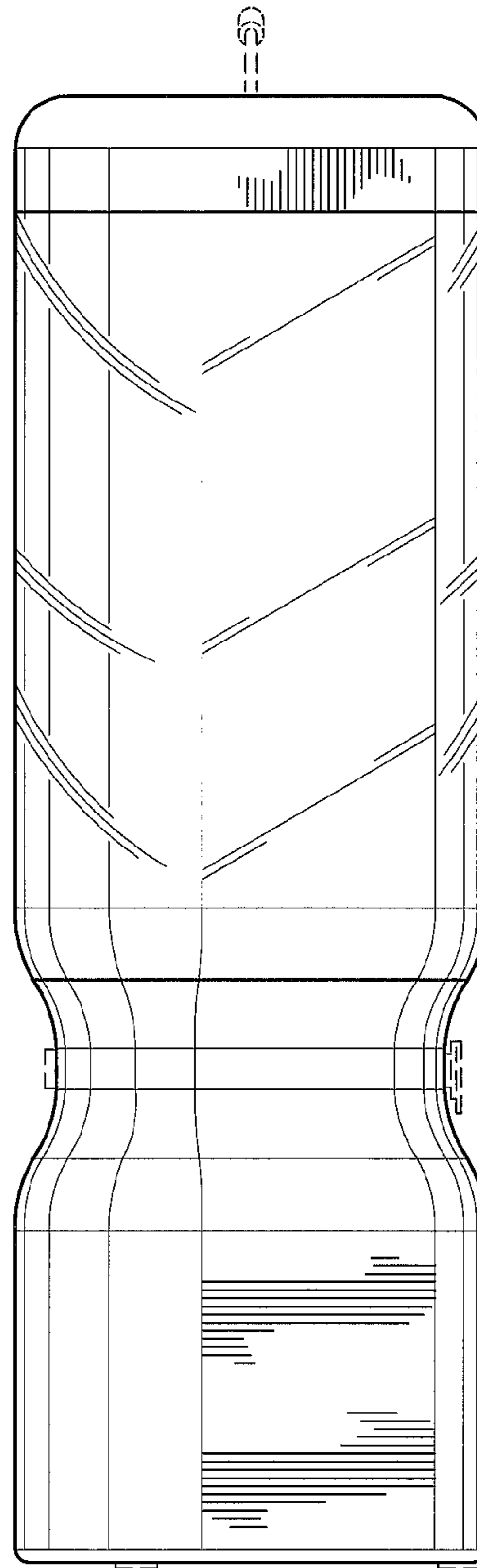


FIG. 6

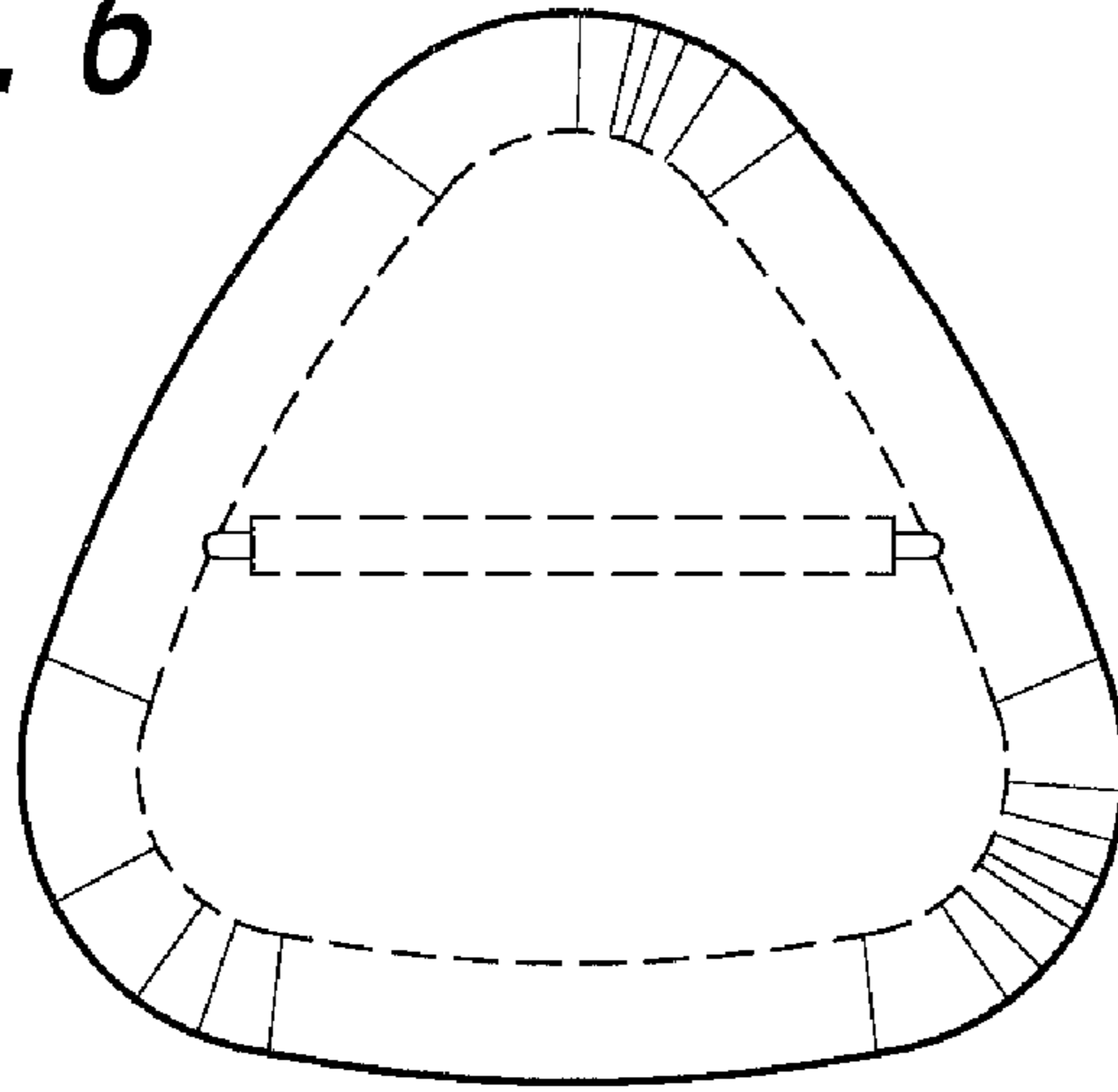
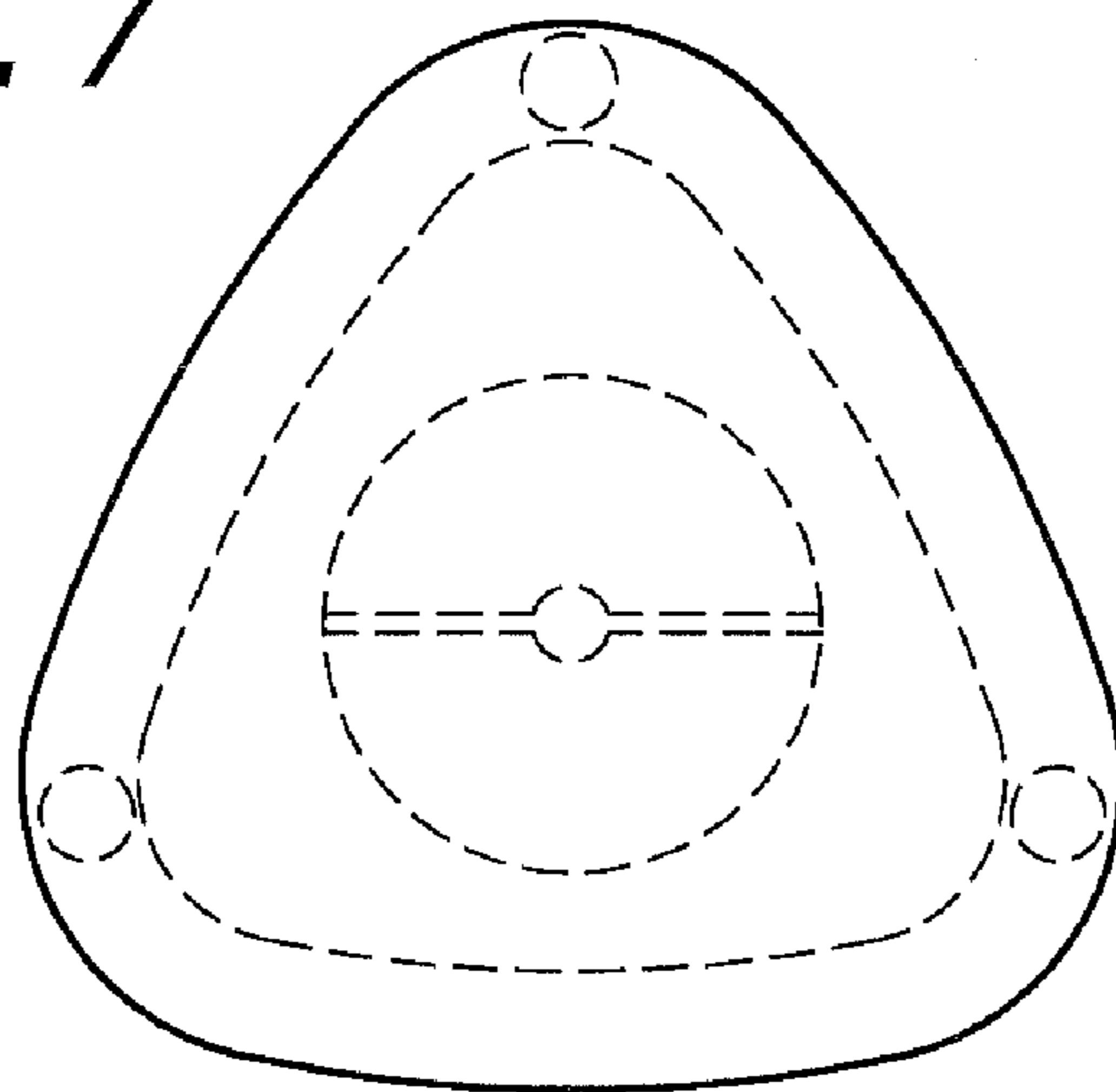


FIG. 7



UNITED STATES PATENT AND TRADEMARK OFFICE
CERTIFICATE OF CORRECTION

PATENT NO. : D643,560 S
APPLICATION NO. : 29/368554
DATED : August 16, 2011
INVENTOR(S) : Crispian Tompkin

Page 1 of 1

It is certified that error appears in the above-identified patent and that said Letters Patent is hereby corrected as shown below:

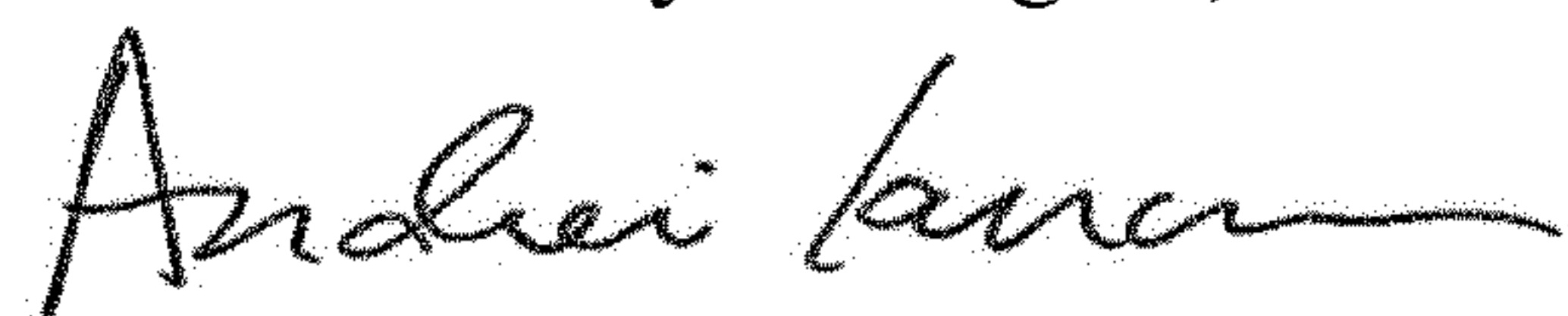
On the Title Page

Item (57), under IN THE DESCRIPTION:

Please amend the description of FIG. 5 as follows:

--FIG. 5 is an elevation view of the left side of the lantern.--

Signed and Sealed this
Seventh Day of August, 2018



Andrei Iancu
Director of the United States Patent and Trademark Office