



US00D643559S

(12) **United States Design Patent**
Seymour

(10) **Patent No.:** **US D643,559 S**

(45) **Date of Patent:** **** Aug. 16, 2011**

(54) **COMBINED FLOOD AND SPOT LED LIGHT FOR WATERCRAFT**

Primary Examiner — Marcus Jackson

(74) *Attorney, Agent, or Firm* — McHale & Slavin, P.A.

(76) **Inventor:** **Alan Seymour**, Lauderhill, FL (US)

(**) **Term:** **14 Years**

(57) **CLAIM**

The ornamental design for a combined flood and spot LED light for watercraft, as shown and described.

(21) **Appl. No.:** **29/358,051**

(22) **Filed:** **Mar. 22, 2010**

(51) **LOC (9) Cl.** **26-06**

(52) **U.S. Cl.** **D26/28**

(58) **Field of Classification Search** D26/28-36;
362/459-468, 475-478, 485-487

See application file for complete search history.

DESCRIPTION

FIG. 1 is a front perspective view of the combined flood and spot LED light for watercraft of the instant invention;

FIG. 2 is a front view thereof;

FIG. 3 is a rear view thereof;

FIG. 4 is a top view thereof;

FIG. 5 is a bottom view thereof;

FIG. 6 is a left side view thereof; and,

FIG. 7 is a right side view thereof.

The portions of drawings illustrated by broken lines are for illustrative purposes and form no part of the claimed design.

(56) **References Cited**

U.S. PATENT DOCUMENTS

D557,835 S * 12/2007 Anderson D26/28

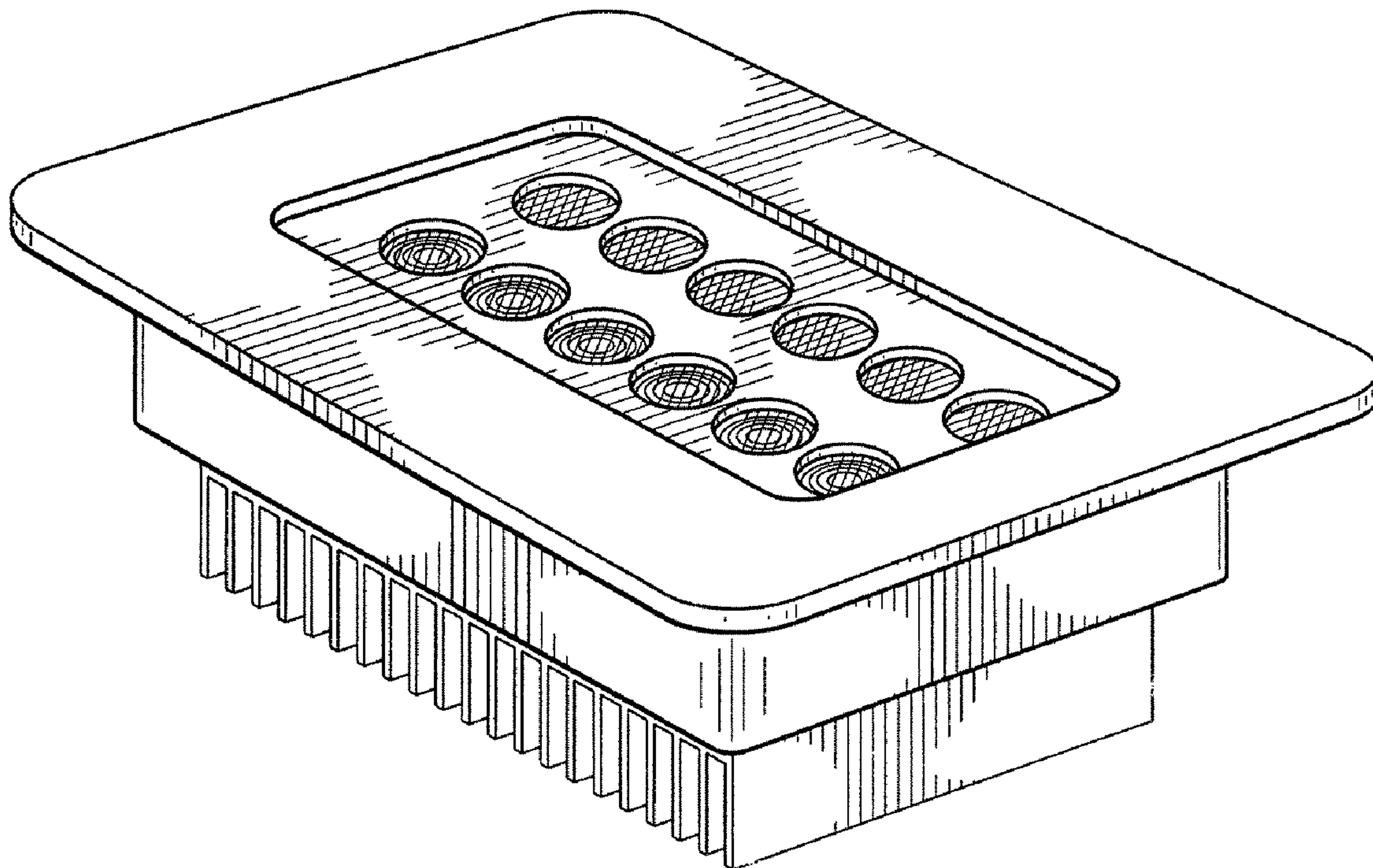
D560,829 S * 1/2008 Mason, II D26/28

D605,789 S * 12/2009 Ko D26/28

D625,857 S * 10/2010 Seymour D26/28

* cited by examiner

1 Claim, 5 Drawing Sheets



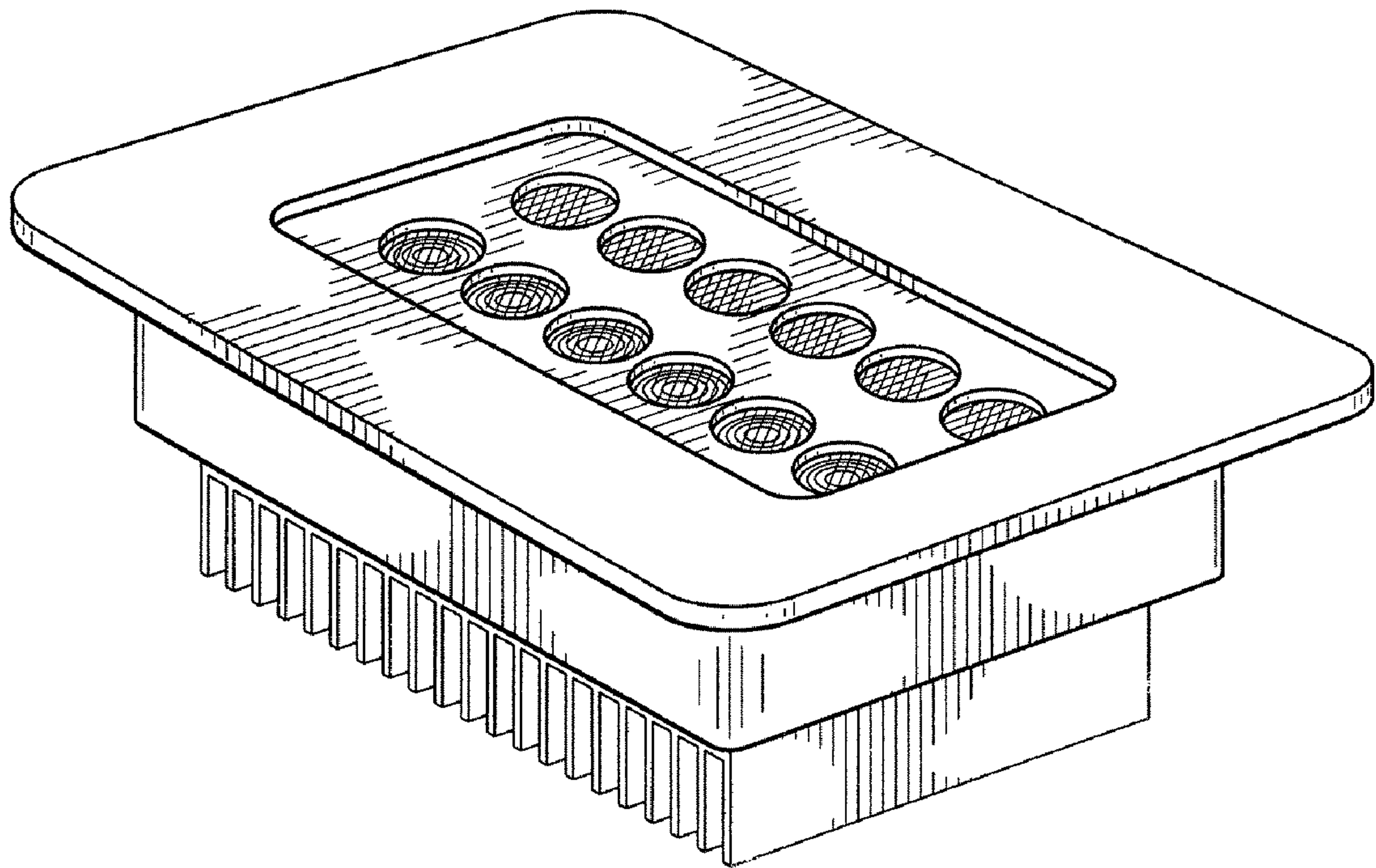


FIG. 1

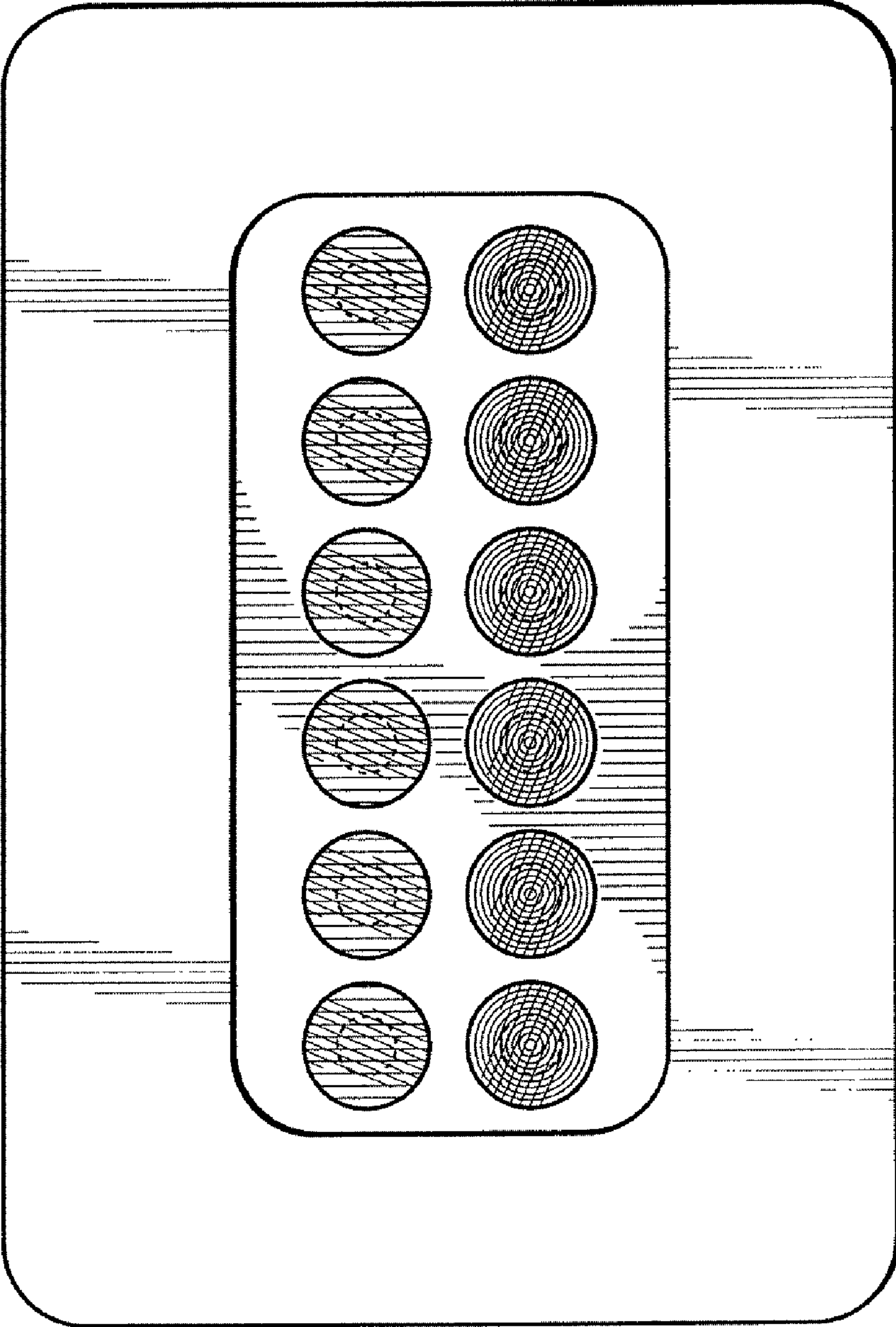


FIG. 2

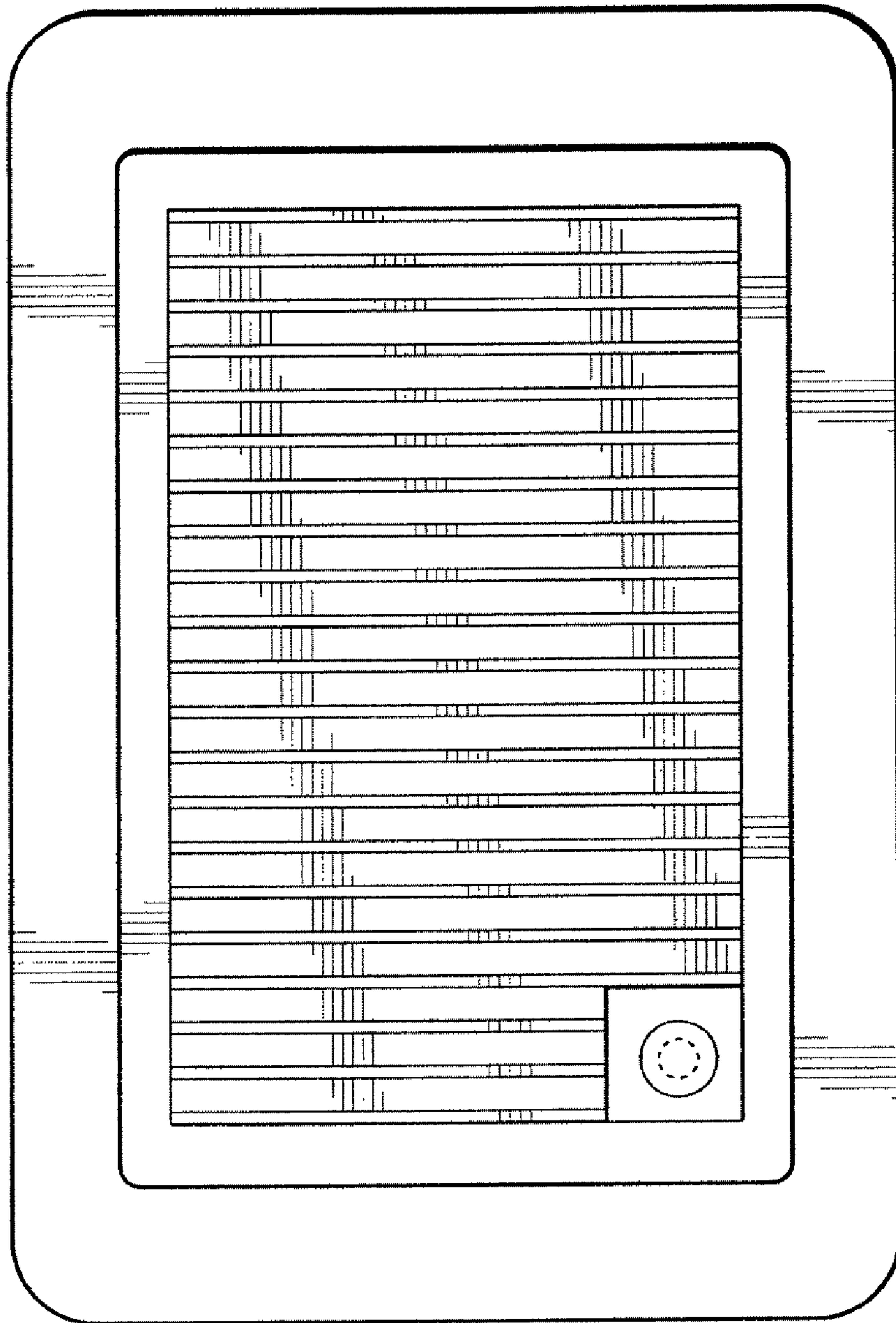


FIG. 3

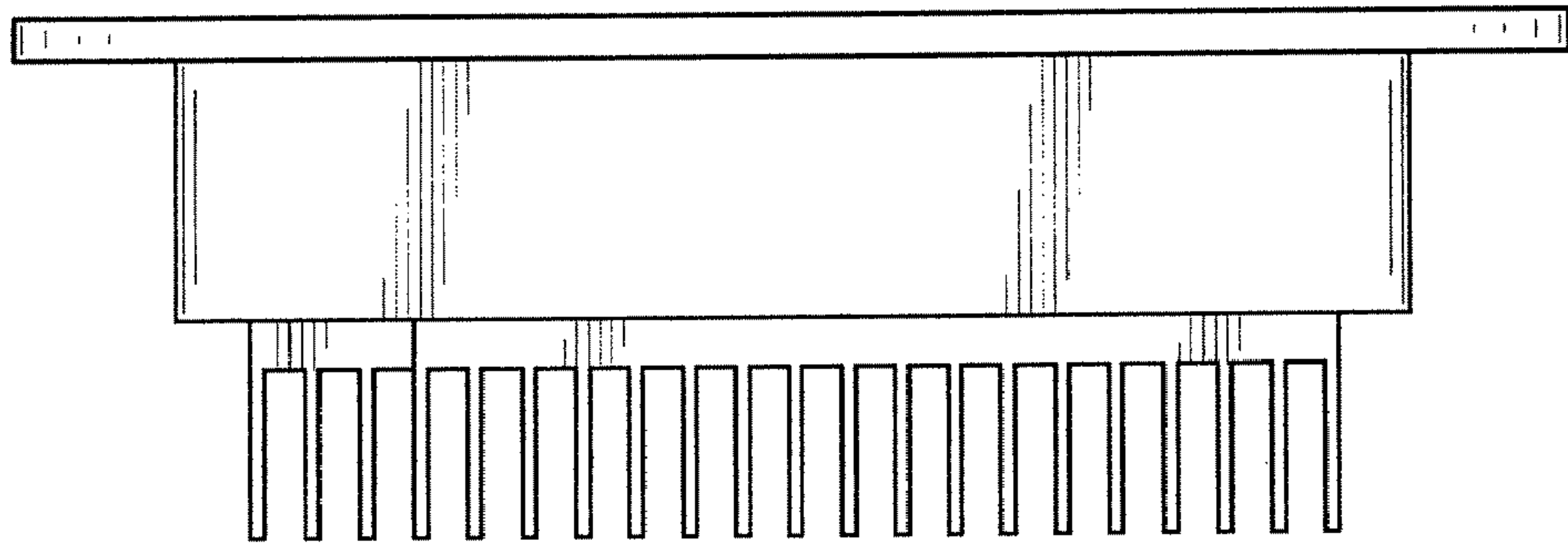


FIG. 4

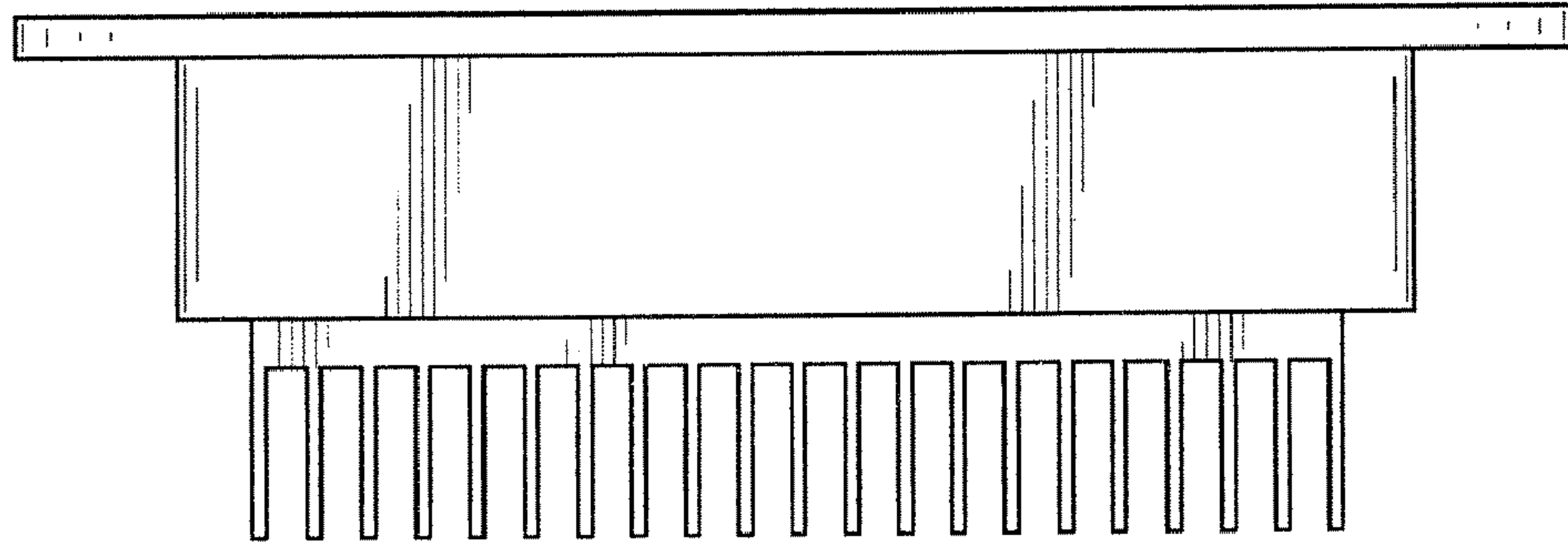


FIG. 5

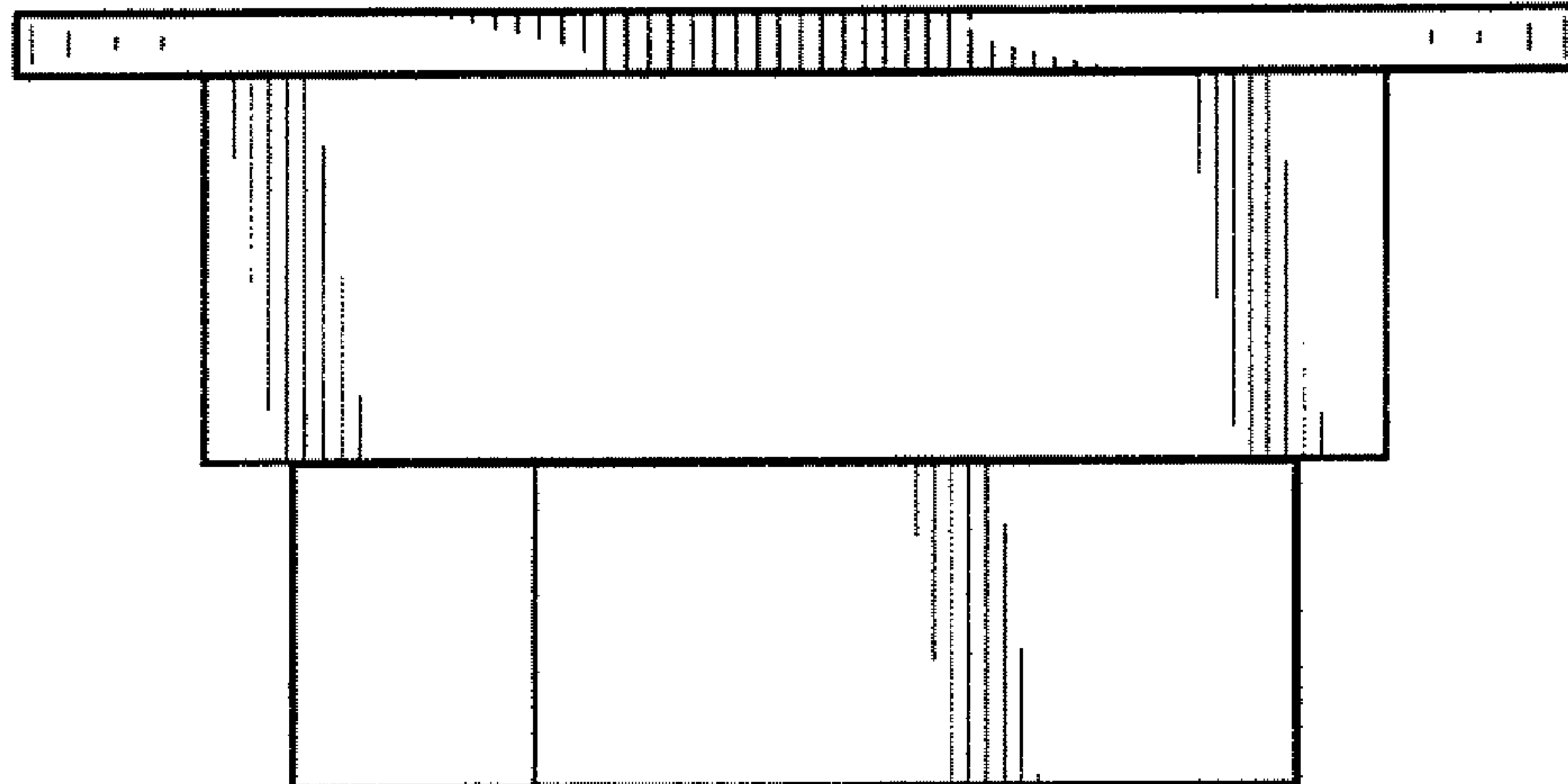


FIG. 6

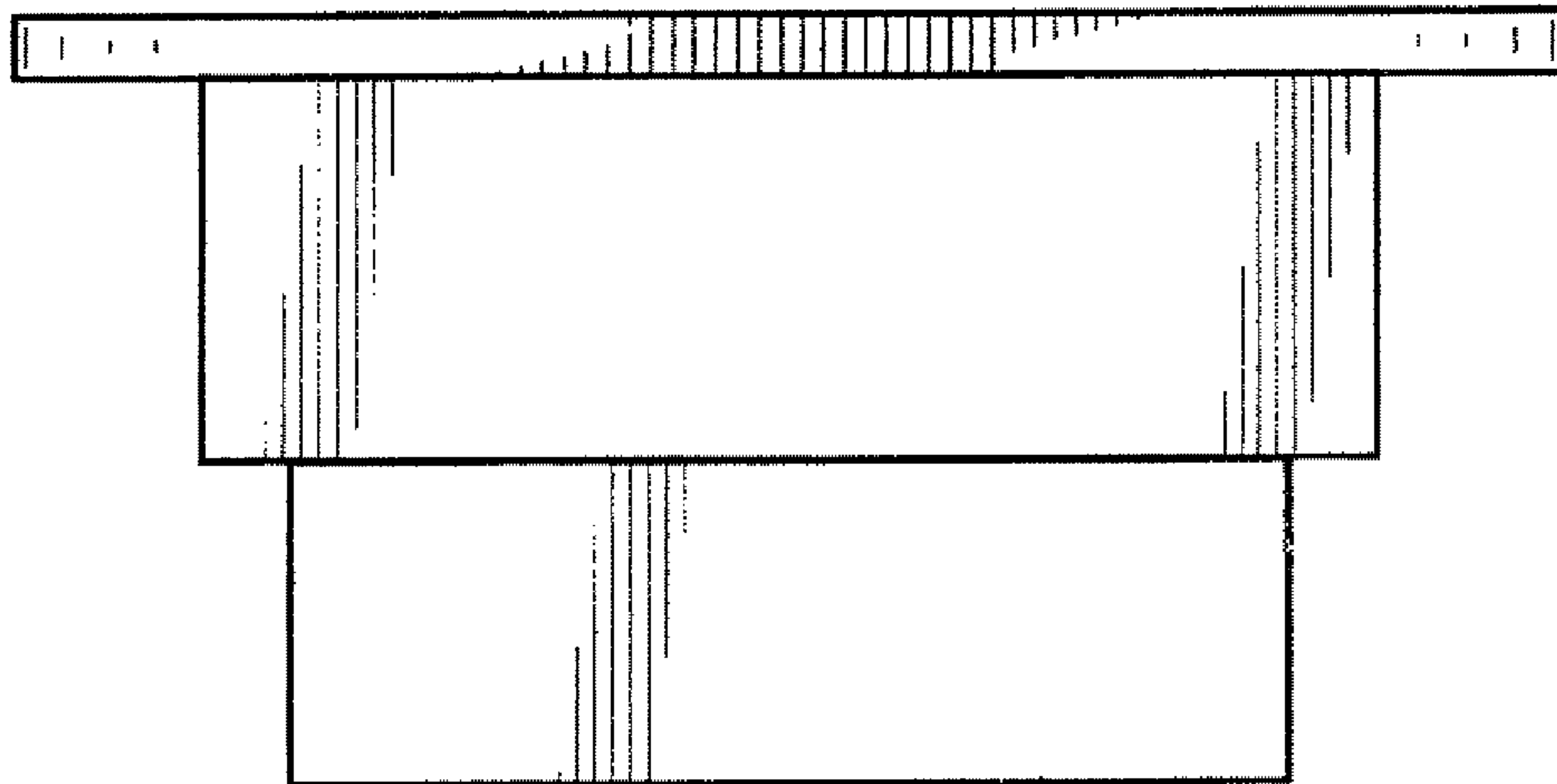


FIG. 7