



US00D643558S

(12) **United States Design Patent**  
**Antoniadis et al.**

(10) **Patent No.:** **US D643,558 S**

(45) **Date of Patent:** **\*\* Aug. 16, 2011**

(54) **HEADLIGHT FOR A VEHICLE**

(74) *Attorney, Agent, or Firm* — Crowell & Moring LLP

(75) Inventors: **Apostolos Antoniadis**, Sindelfingen (DE); **Thomas Binder**, Stuttgart (DE); **Hans-Dieter Futschik**, Gechingen (DE); **Stefan Handt**, Stuttgart (DE)

(57) **CLAIM**

The ornamental design for a headlight for a vehicle, as shown and described.

(73) Assignee: **Daimler AG**, Stuttgart (DE)

**DESCRIPTION**

(\*\*) Term: **14 Years**

(21) Appl. No.: **29/311,650**

This application has subject matter related to the following co-pending U.S. patent applications:

U.S. application Ser. No. 29/311,765, filed Jun. 15, 2009 and entitled "Vehicle and Vehicle Shaped Articles;" and U.S. application Ser. No. 29/311,767, filed Jun. 15, 2009 and entitled "Front Portion of a Vehicle and Vehicle Shaped Articles."

(22) Filed: **May 15, 2009**

FIG. 1 is a right perspective view of a first embodiment of a headlight for a vehicle according to our design;

(30) **Foreign Application Priority Data**

Nov. 17, 2008 (DE) ..... 402008005507

FIG. 2 is a right side view thereof; and

(51) **LOC (9) Cl.** ..... **26-06**

FIG. 3 is a front view thereof.

(52) **U.S. Cl.** ..... **D26/28**

FIG. 4 is a left perspective view of a second embodiment of the headlight for a vehicle according to our design;

(58) **Field of Classification Search** ..... D26/28-36;

362/459-468, 475-478, 485-487

FIG. 5 is a left side view thereof; and

See application file for complete search history.

FIG. 6 is a front view thereof.

(56) **References Cited**

**U.S. PATENT DOCUMENTS**

D508,745 S	8/2005	Pfeiffer et al.	
D550,383 S *	9/2007	Asai	D26/28
D556,349 S *	11/2007	Golden et al.	D26/28
D560,291 S *	1/2008	Koyama	D26/28
D561,358 S *	2/2008	Tachibana	D26/28
D591,880 S	5/2009	Futschik et al.	

FIG. 7 is a left perspective view of a third embodiment of the headlight for a vehicle according to our design, with the headlight for a vehicle for the opposite side of the vehicle being depicted in the first embodiment;

FIG. 8 is a left side view thereof; and

FIG. 9 is a front view thereof.

FIG. 10 is a right perspective view of a fourth embodiment of the headlight for a vehicle according to our design, with the headlight for a vehicle for the opposite side of the vehicle being depicted in the second embodiment;

FIG. 11 is a right side view thereof; and,

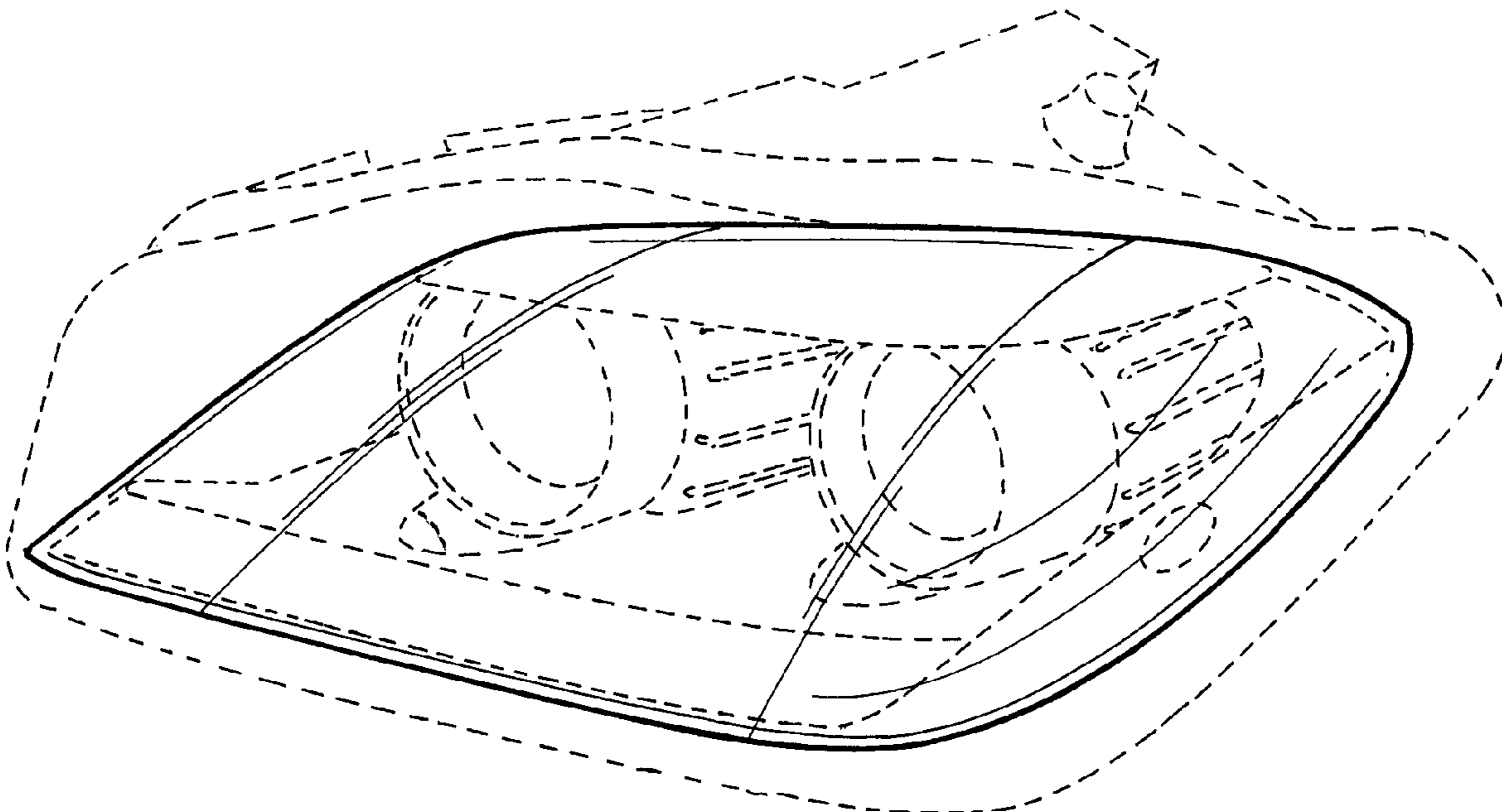
FIG. 12 is a front view thereof.

\* cited by examiner

The broken lines are for illustrative purposes only and form no part of the claimed design.

*Primary Examiner* — Marcus Jackson

**1 Claim, 10 Drawing Sheets**



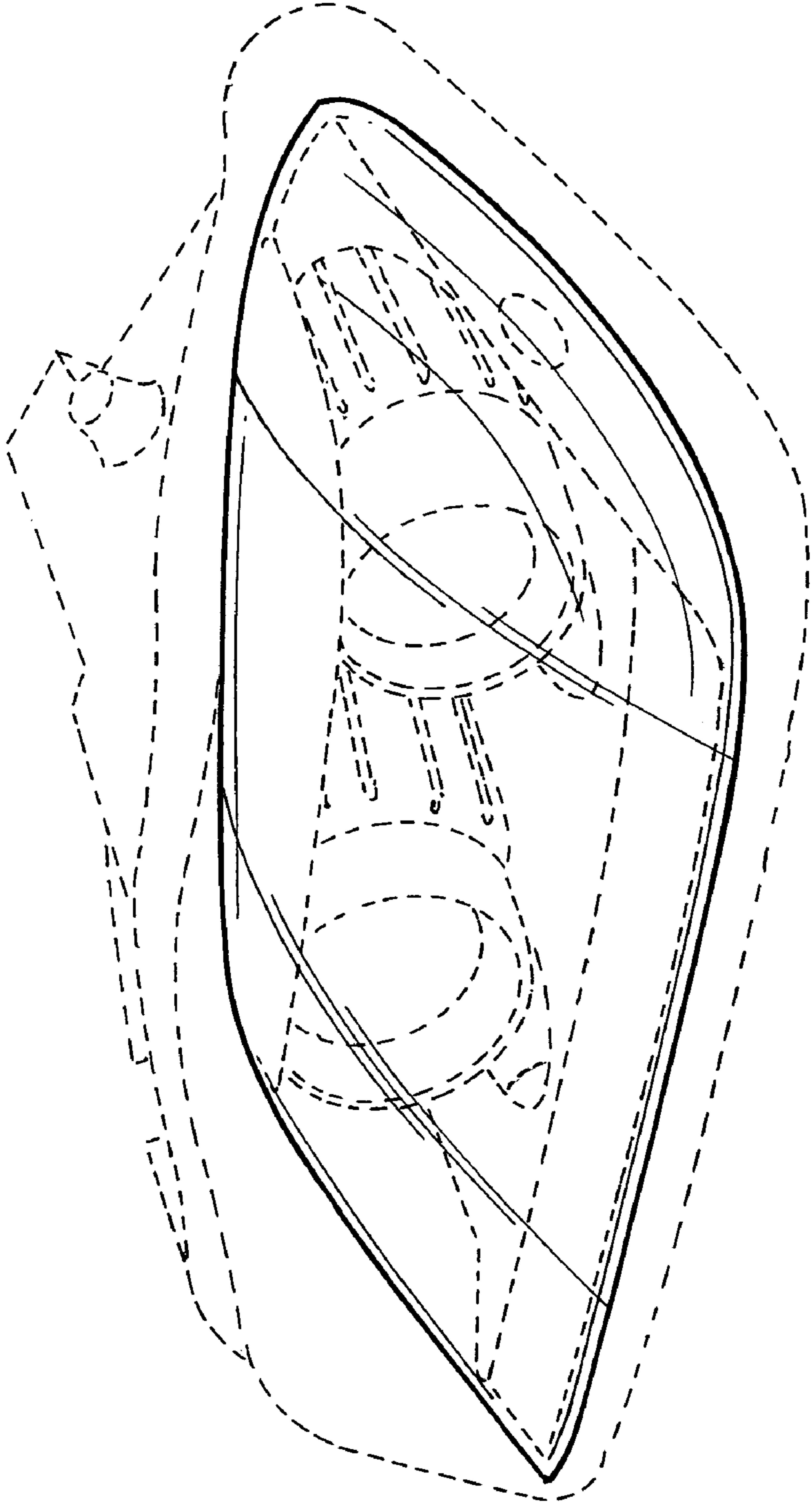


FIG. 1

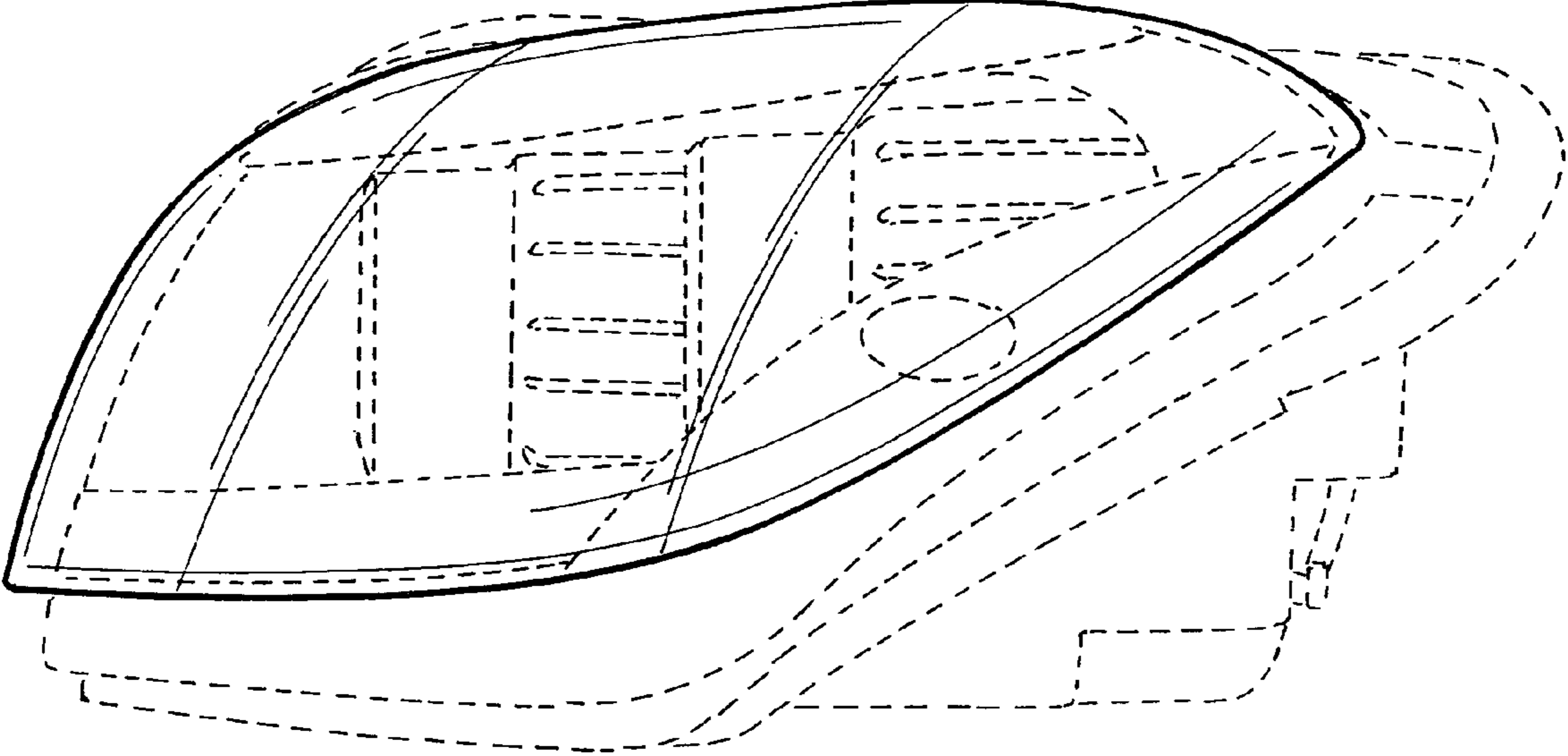


FIG. 2

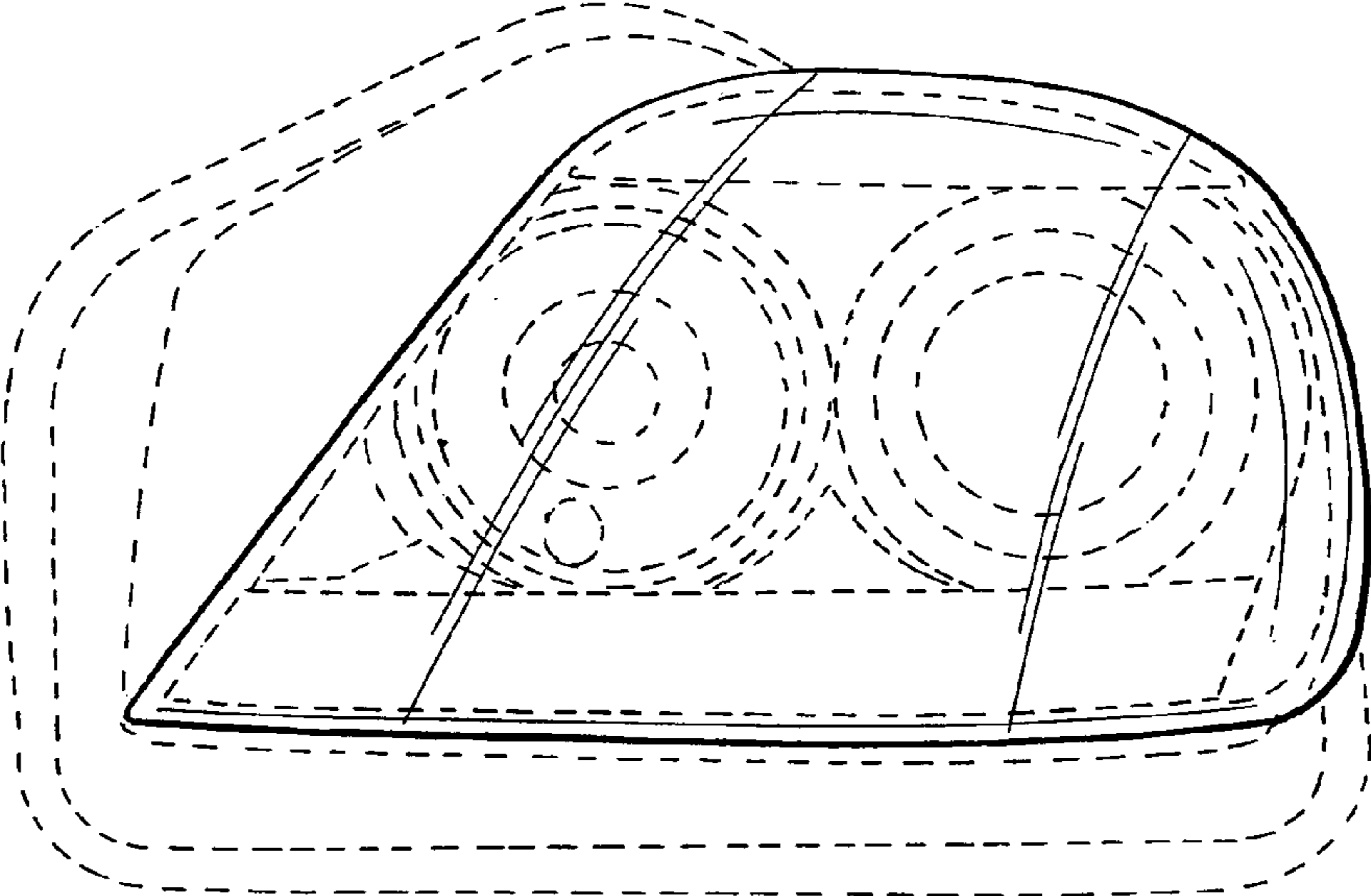


FIG. 3

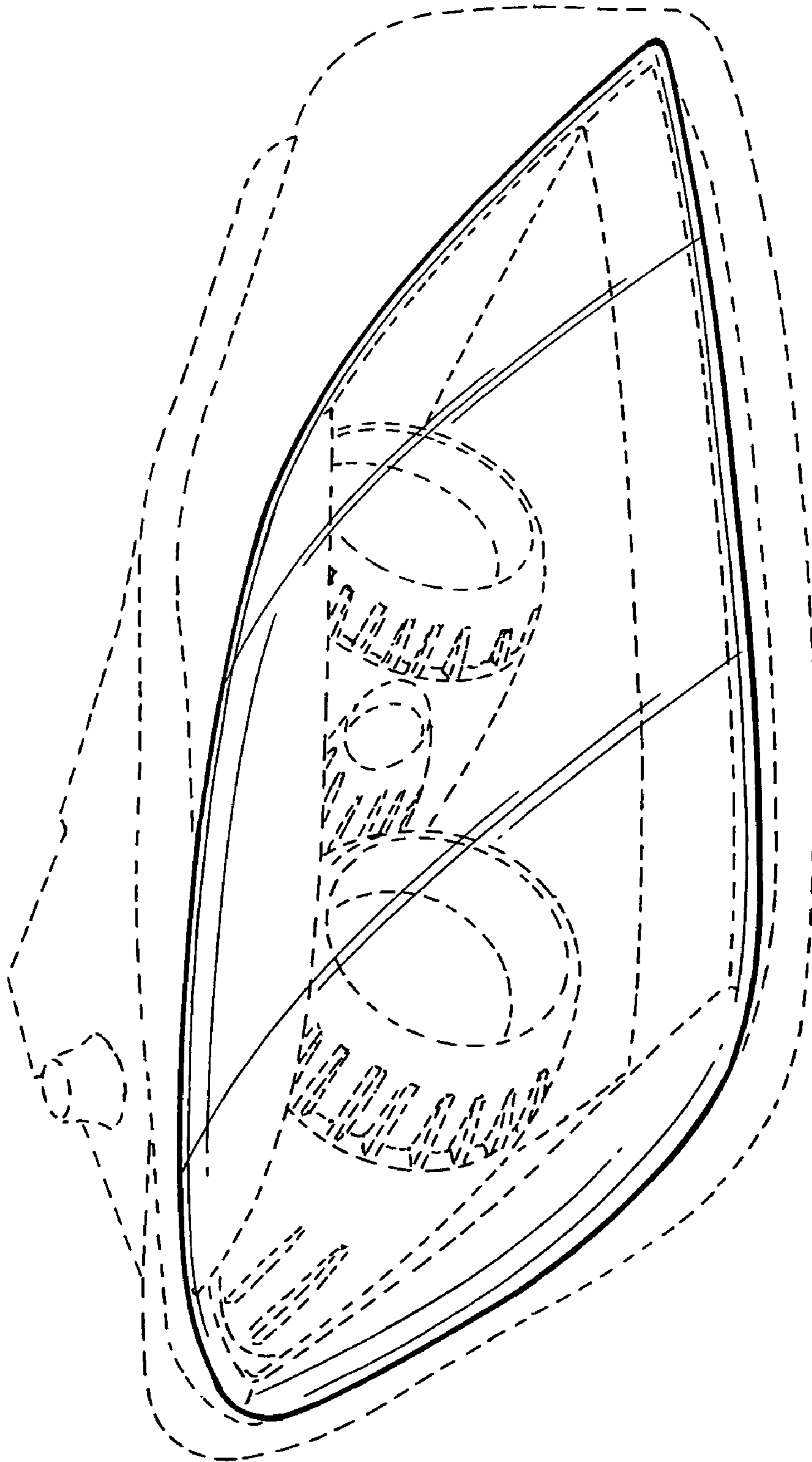


FIG. 4



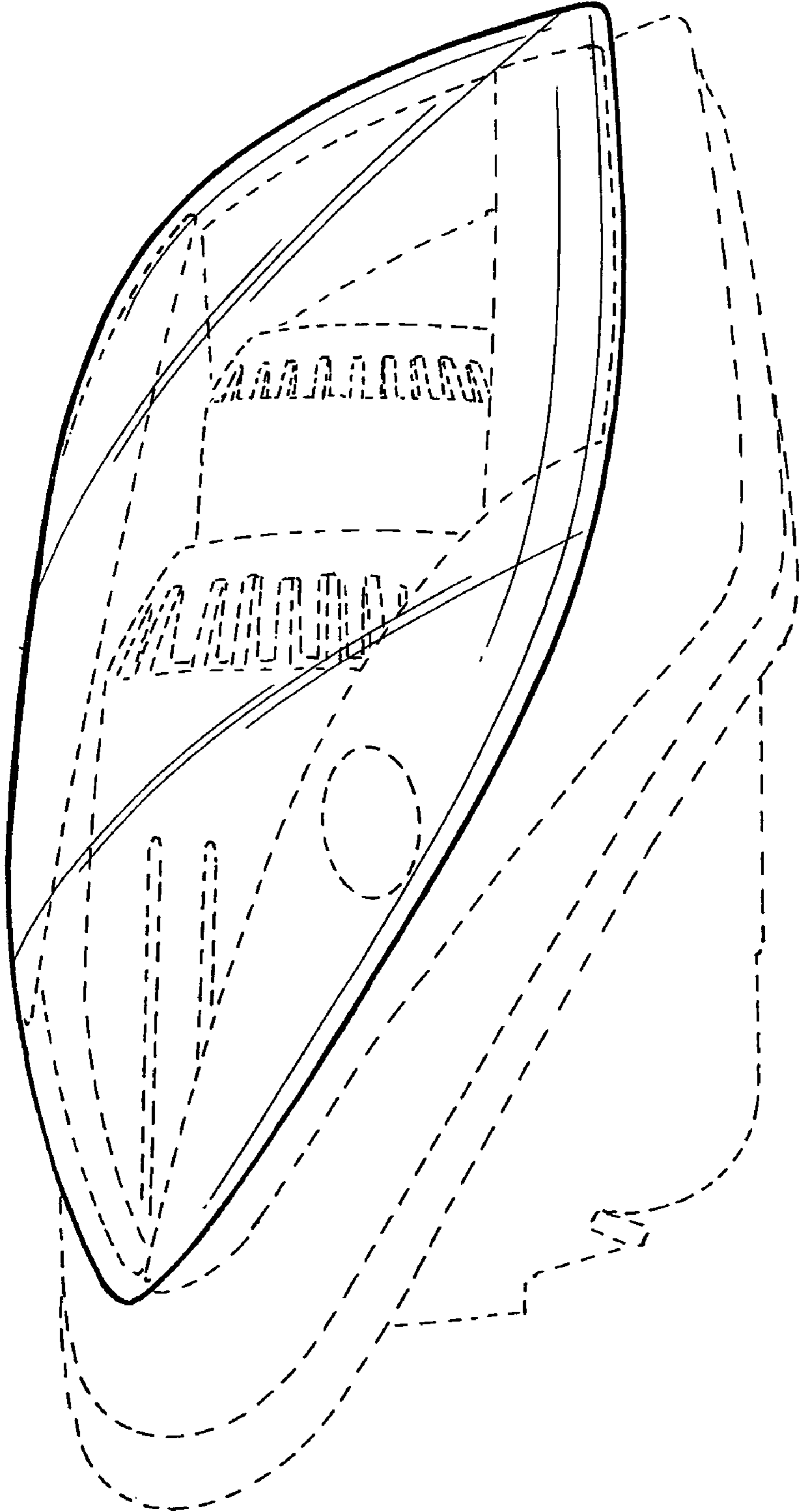


FIG. 5

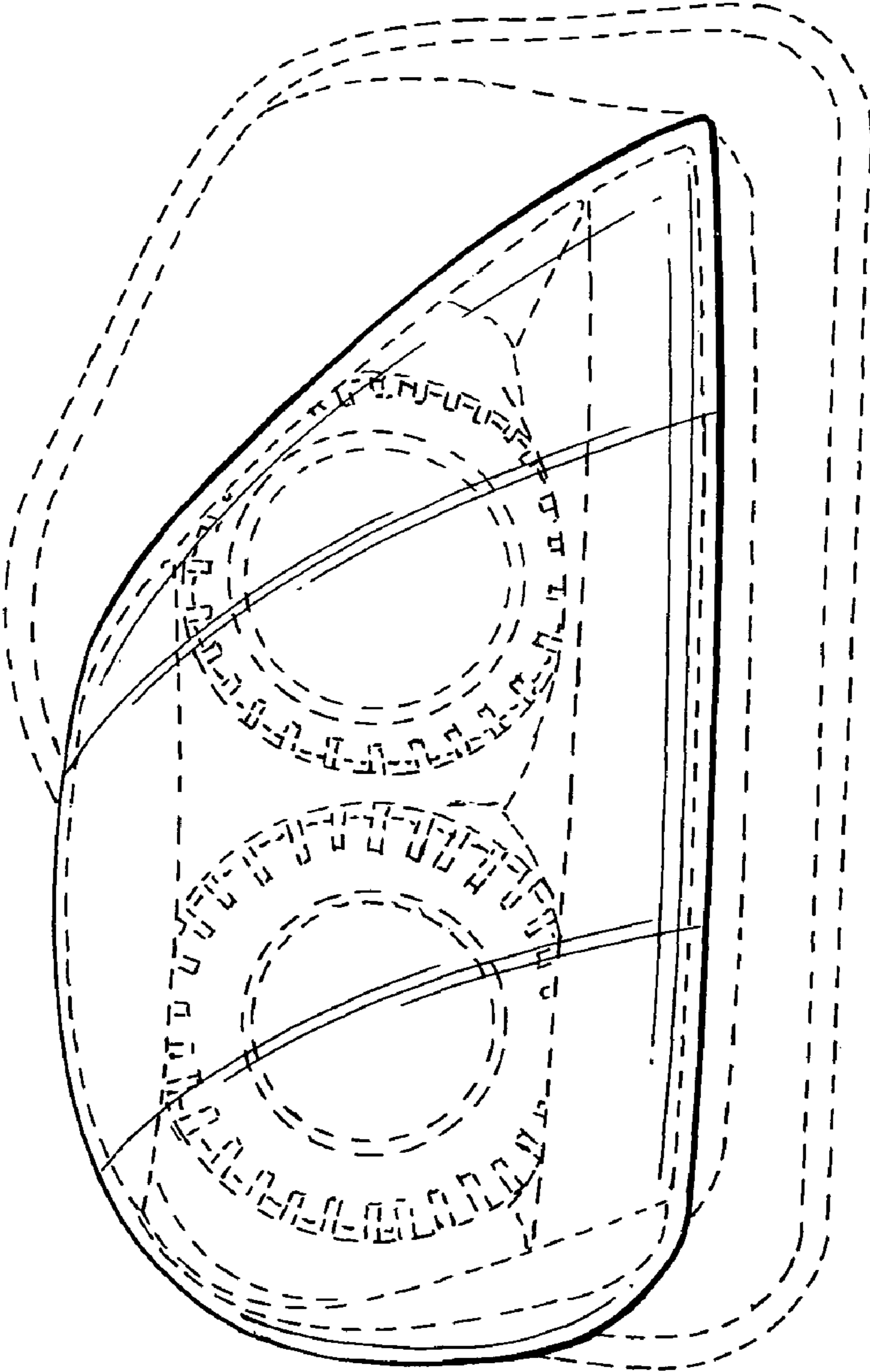


FIG. 6

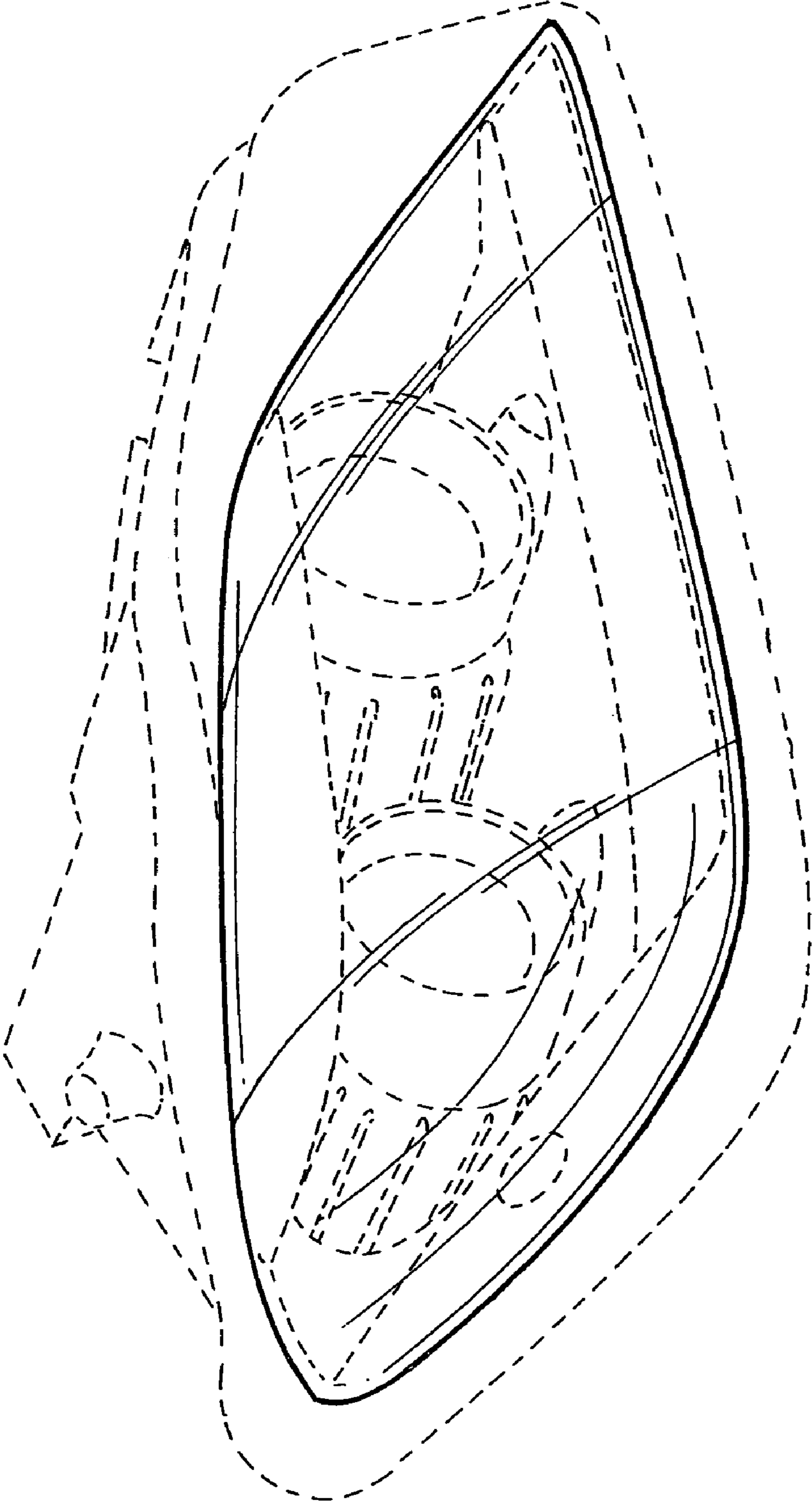


FIG. 7

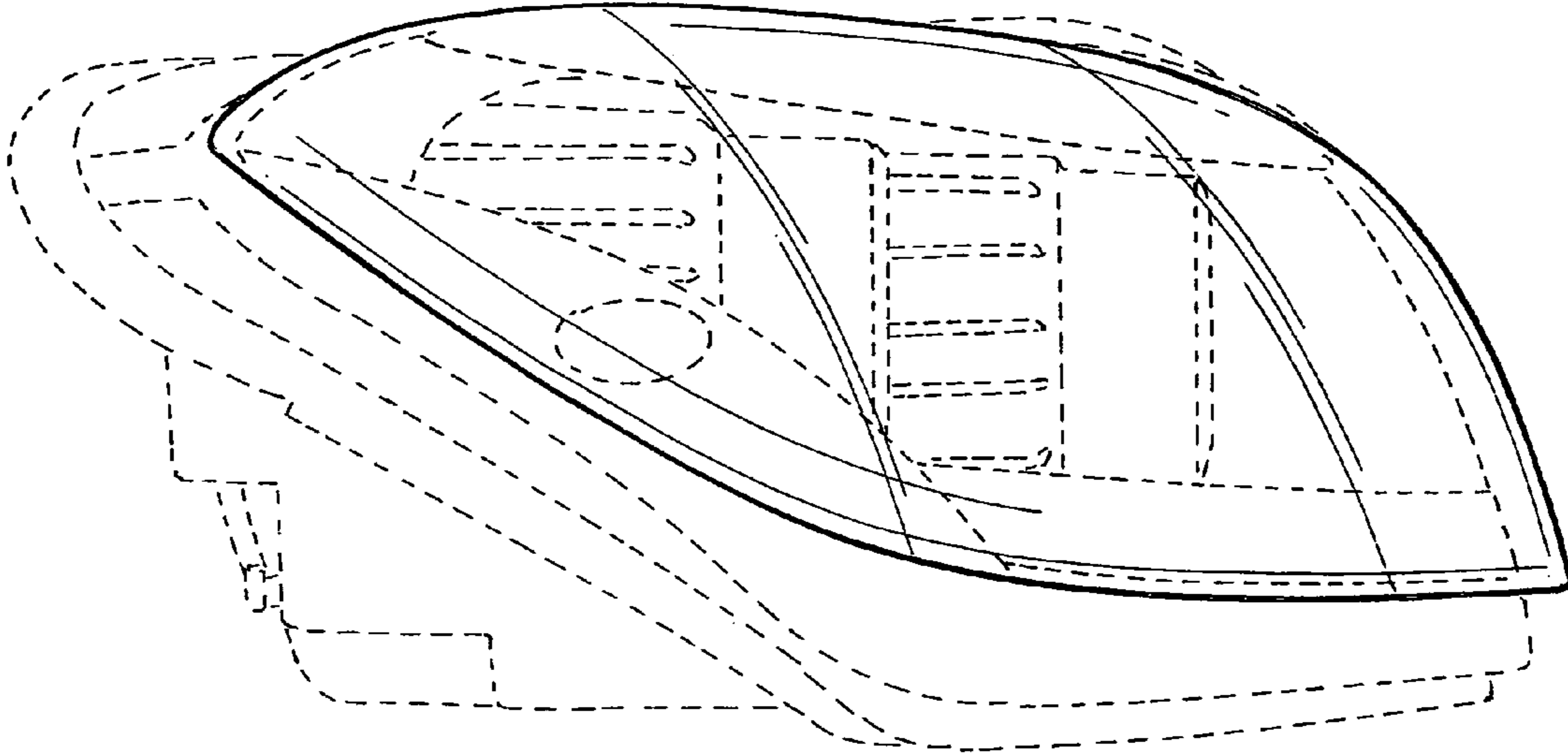


FIG. 8

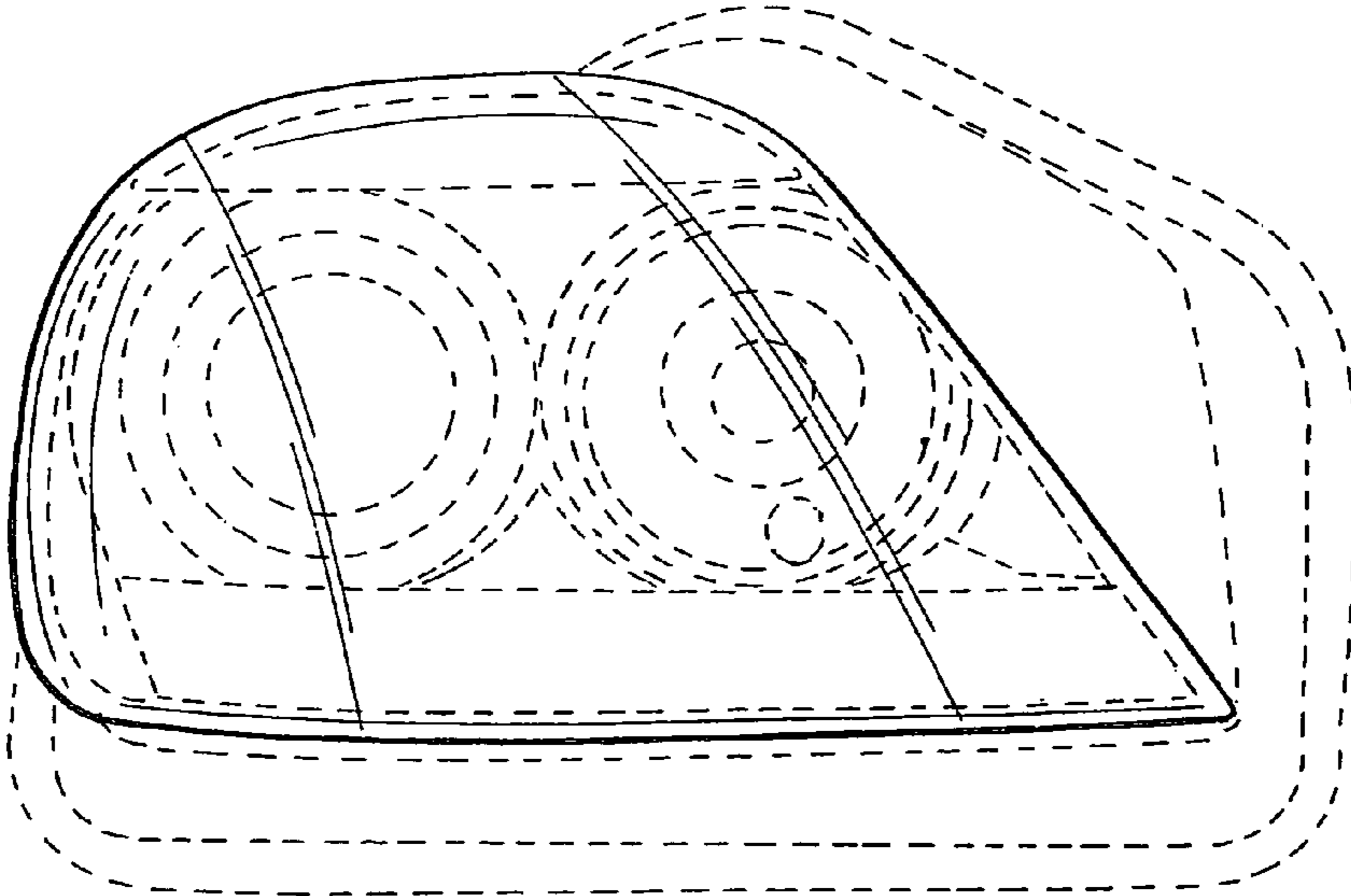


FIG. 9



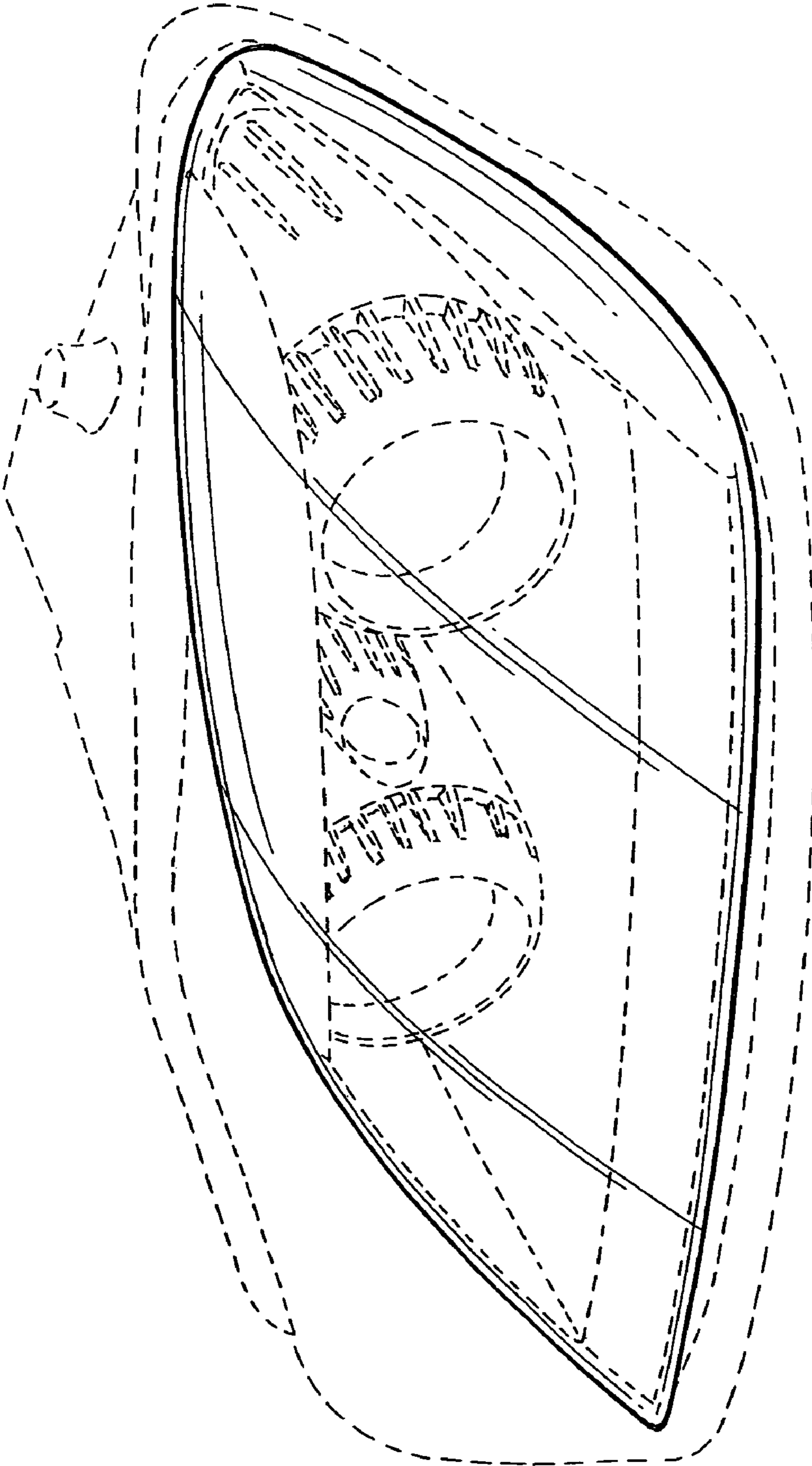


FIG. 10

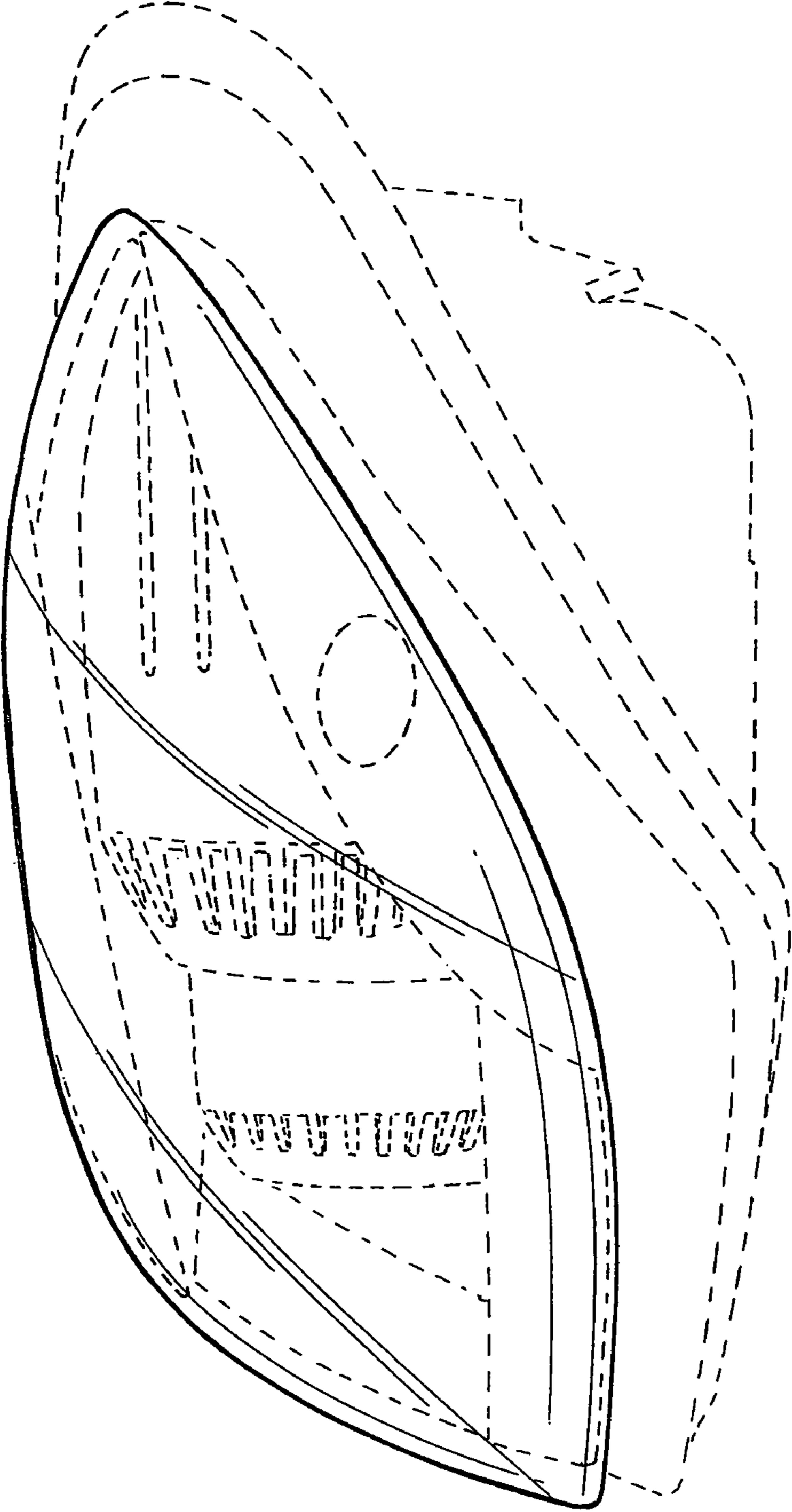


FIG. 11

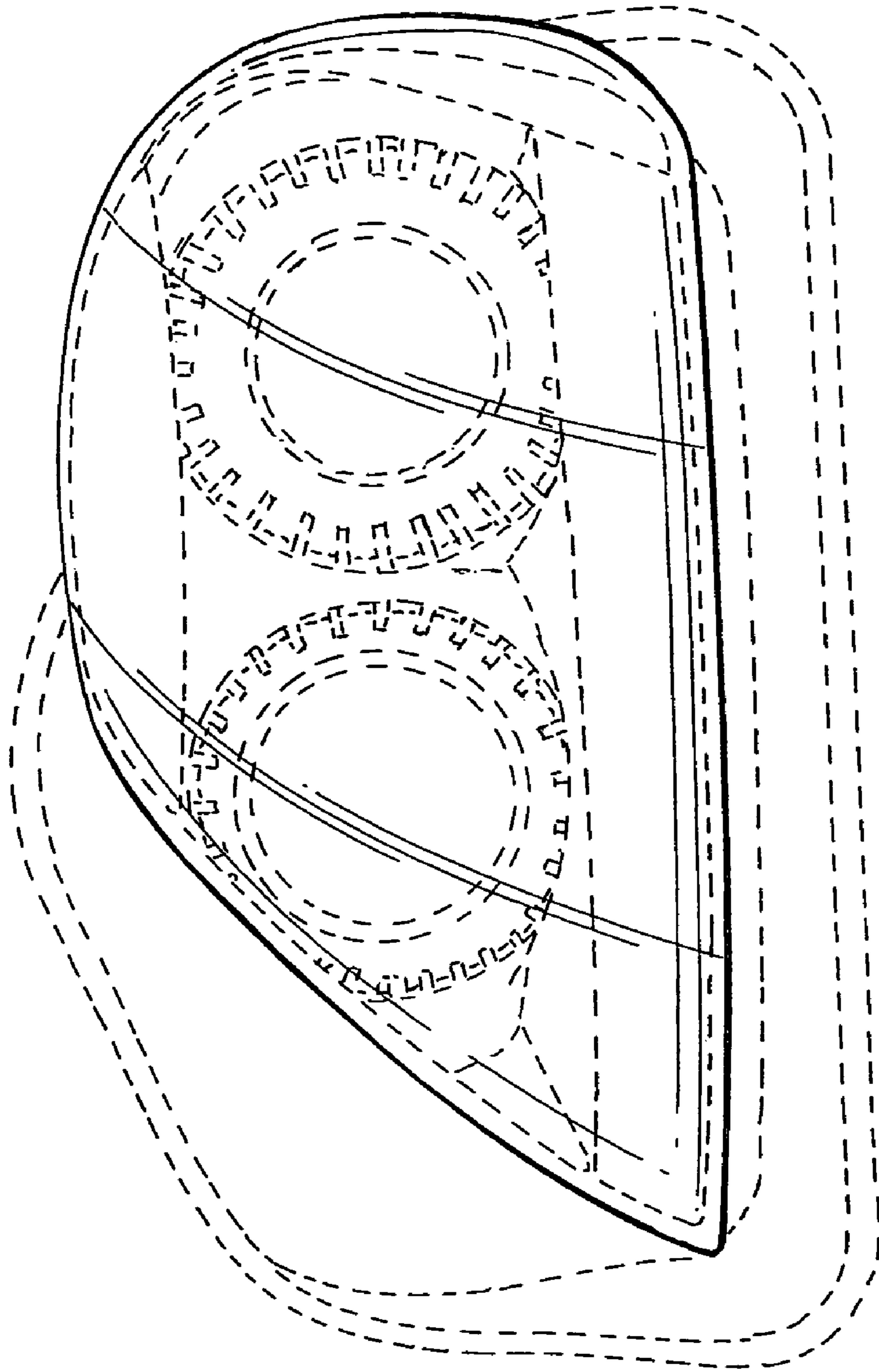


FIG. 12