



US00D643552S

(12) **United States Design Patent**
Murakami et al.

(10) **Patent No.:** **US D643,552 S**

(45) **Date of Patent:** **** Aug. 16, 2011**

(54) **PORTION OF A LIGHT-EMITTING DIODE LAMP**

(75) Inventors: **Yutaka Murakami**, Shiga (JP); **Kenji Takahashi**, Osaka (JP); **Yasushige Tomiyoshi**, Osaka (JP)

(73) Assignee: **Panasonic Corporation**, Osaka (JP)

(**) Term: **14 Years**

(21) Appl. No.: **29/386,005**

(22) Filed: **Feb. 23, 2011**

(30) **Foreign Application Priority Data**

Jan. 17, 2011 (JP) 2011-000760

(51) **LOC (9) Cl.** **26-04**

(52) **U.S. Cl.** **D26/2**

(58) **Field of Classification Search** D26/1-4;
313/313, 315, 316, 317, 318, 493; 315/52,
315/53, 56, 57, 58

See application file for complete search history.

(56) **References Cited**

U.S. PATENT DOCUMENTS

D471,294 S * 3/2003 Bobel D26/2
D487,939 S * 3/2004 Smith D26/2
D494,688 S * 8/2004 Van de Ven et al. D26/2
D499,820 S * 12/2004 Foo D26/2

D500,872 S * 1/2005 Foo D26/2
D534,665 S * 1/2007 Egawa et al. D26/2
D629,130 S 12/2010 Murakami et al.
D633,227 S * 2/2011 Murakami et al. D26/2
D635,281 S * 3/2011 Murakami et al. D26/2

* cited by examiner

Primary Examiner — Marcus Jackson

(74) *Attorney, Agent, or Firm* — Brinks Hofer Gilson & Lione

(57) **CLAIM**

We claim The ornamental design for a portion of a light-emitting diode lamp, as shown and described.

DESCRIPTION

FIG. 1 is a top perspective view of a portion of a light-emitting diode lamp of the present invention; FIG. 2 is a front view thereof; FIG. 3 is a rear view thereof; FIG. 4 is a first side view thereof; FIG. 5 is a second side view thereof; FIG. 6 is a top view thereof; and, FIG. 7 is a bottom view thereof.

The broken line showing of portion of a light-emitting diode lamp is included for the purpose of illustrating environment and forms no part of the claimed design. Additionally, the unevenly broken lines in the drawings define the limits of the claimed design.

1 Claim, 6 Drawing Sheets

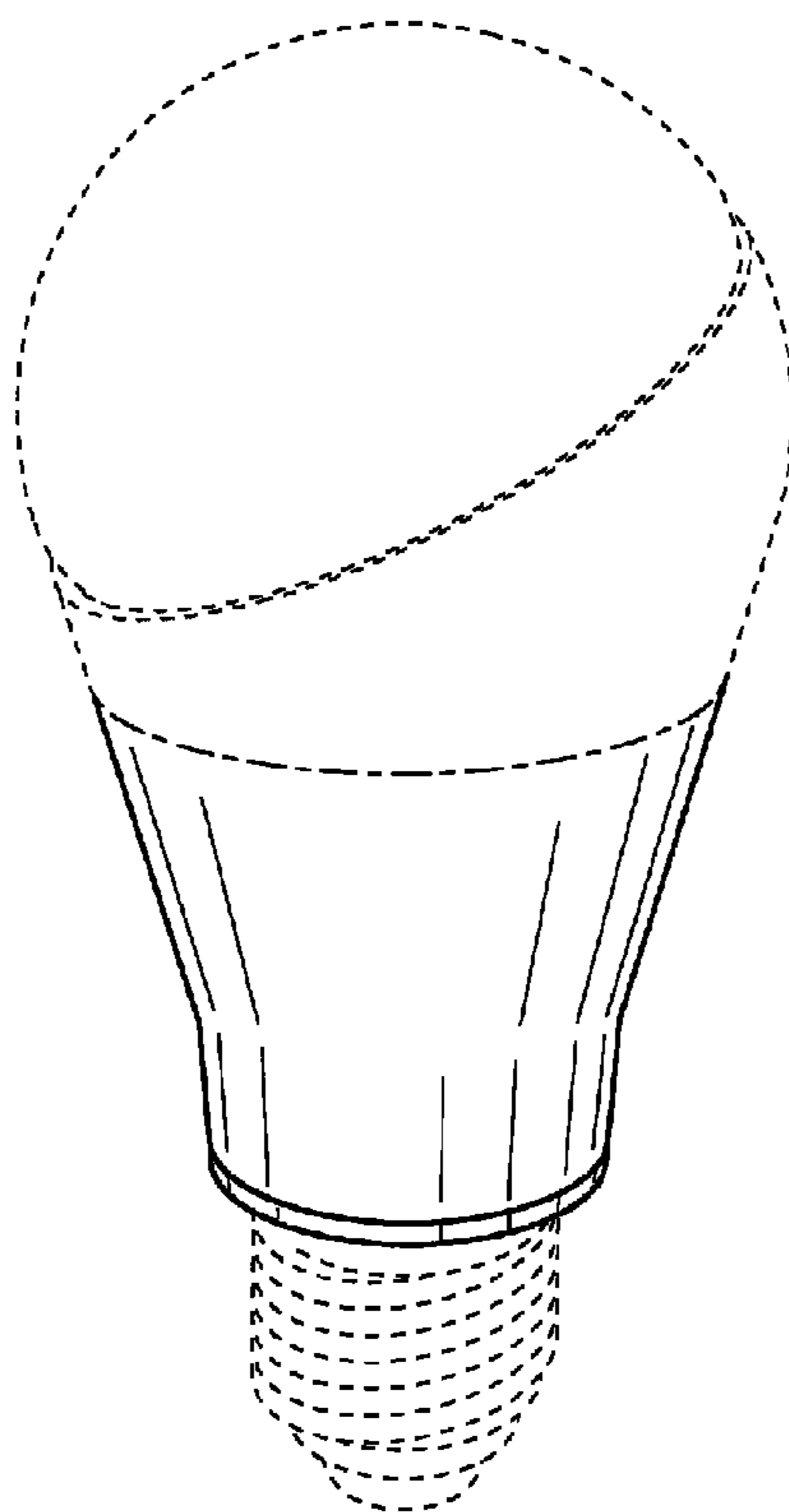


FIG.1

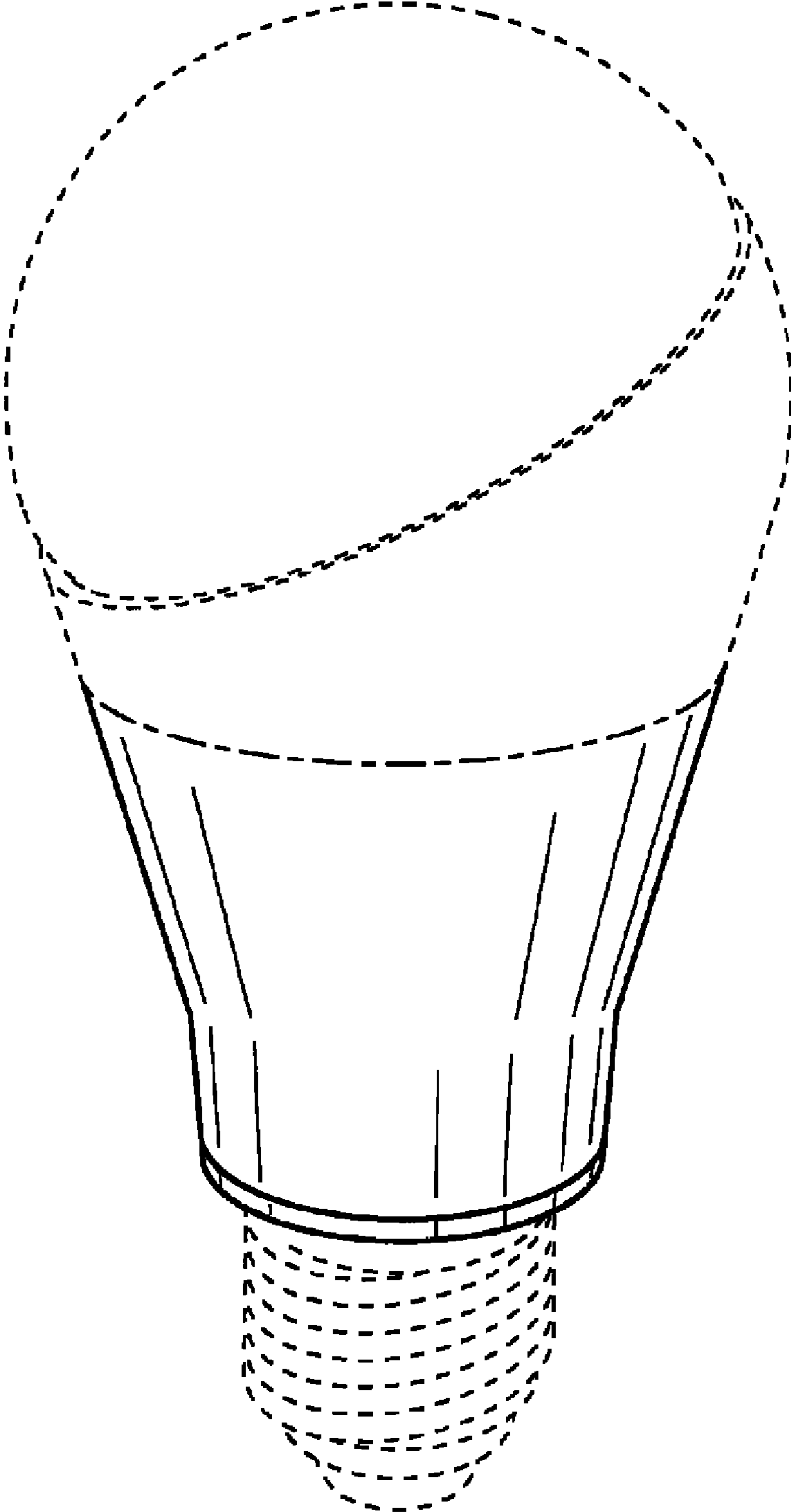


FIG.2

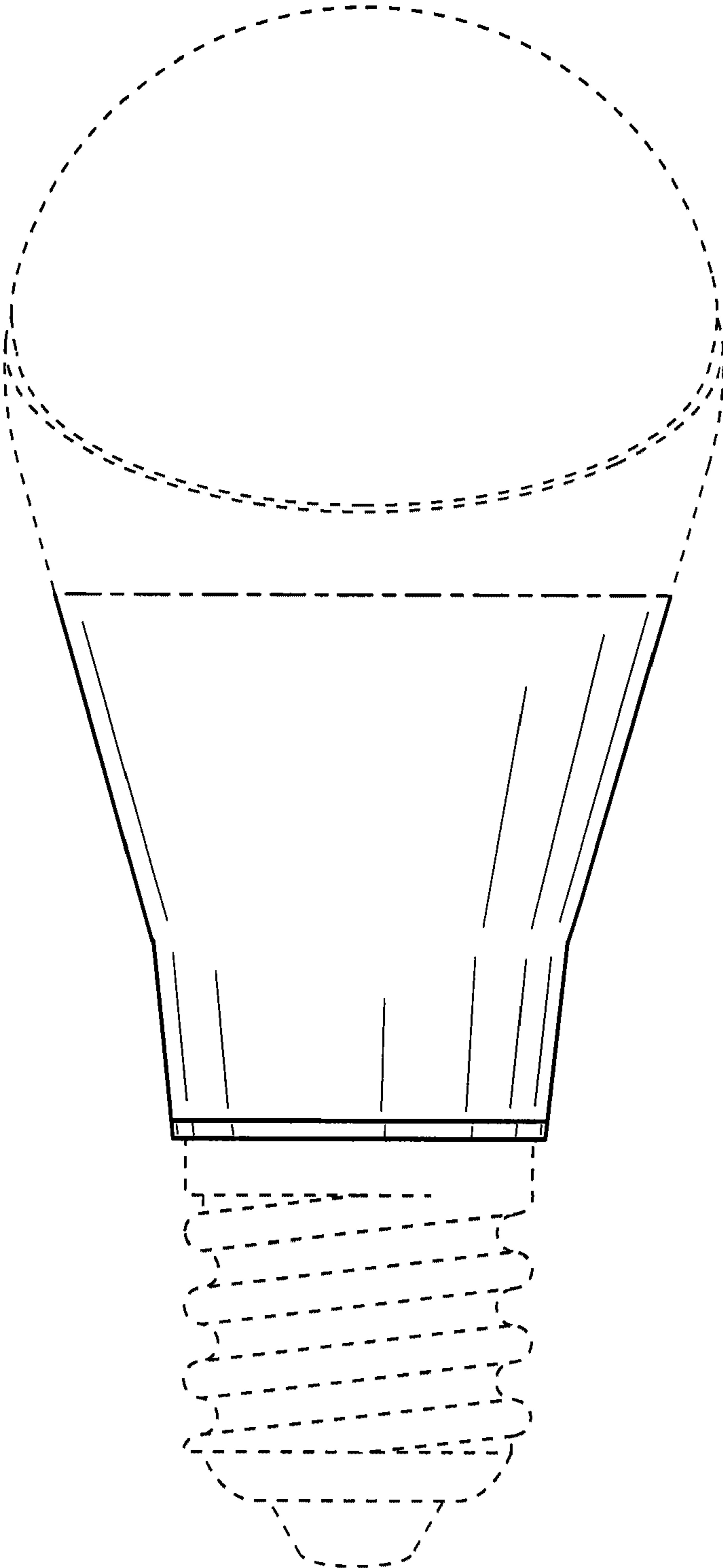


FIG.3

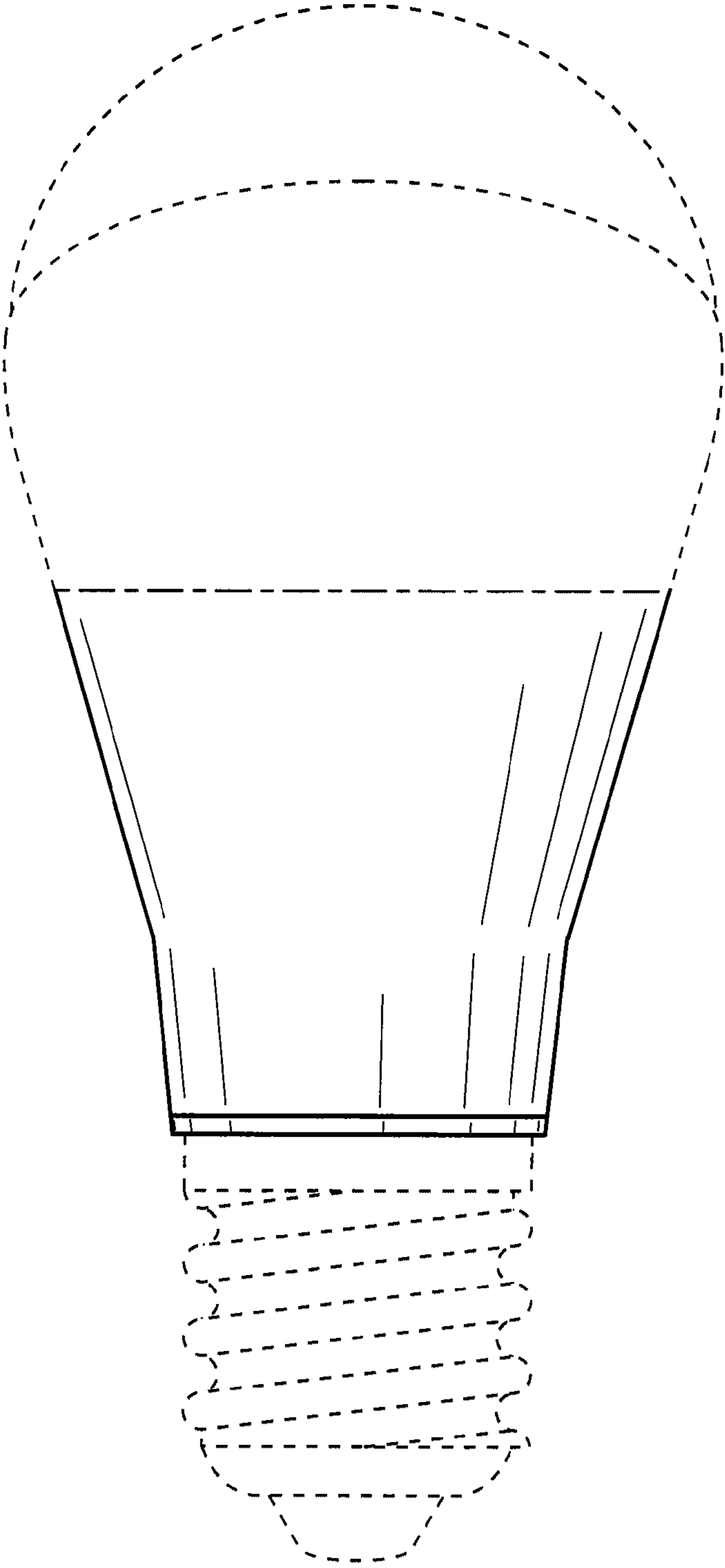


FIG.4

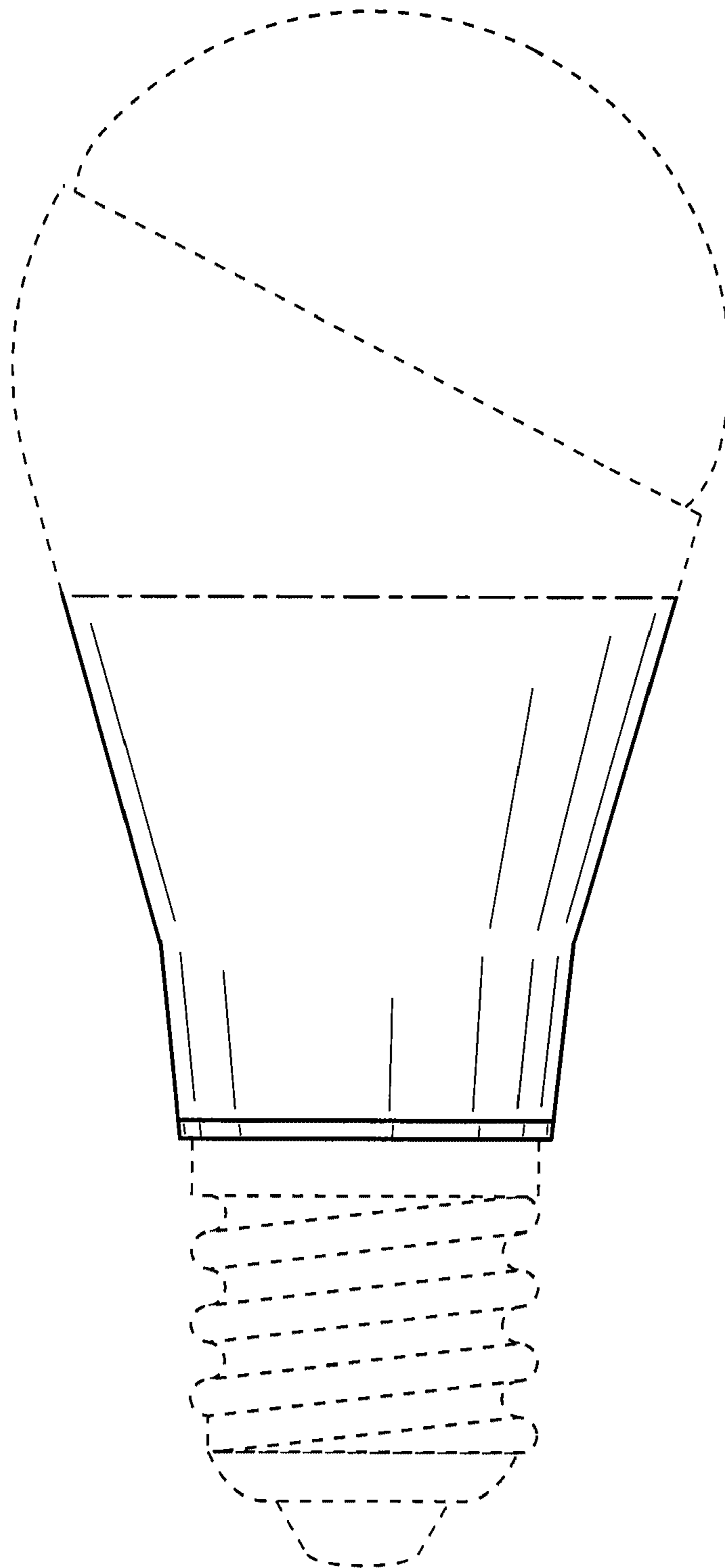


FIG.5

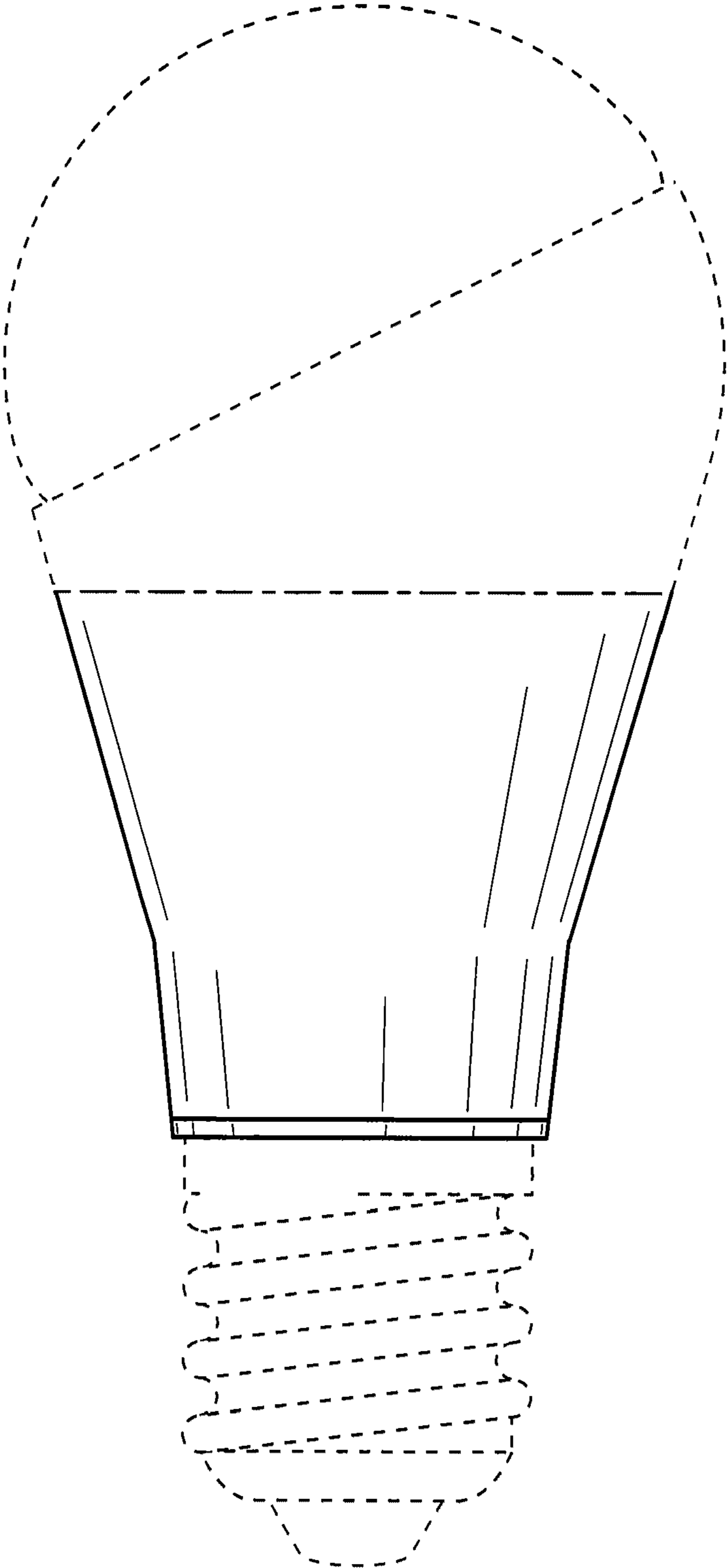


FIG.6

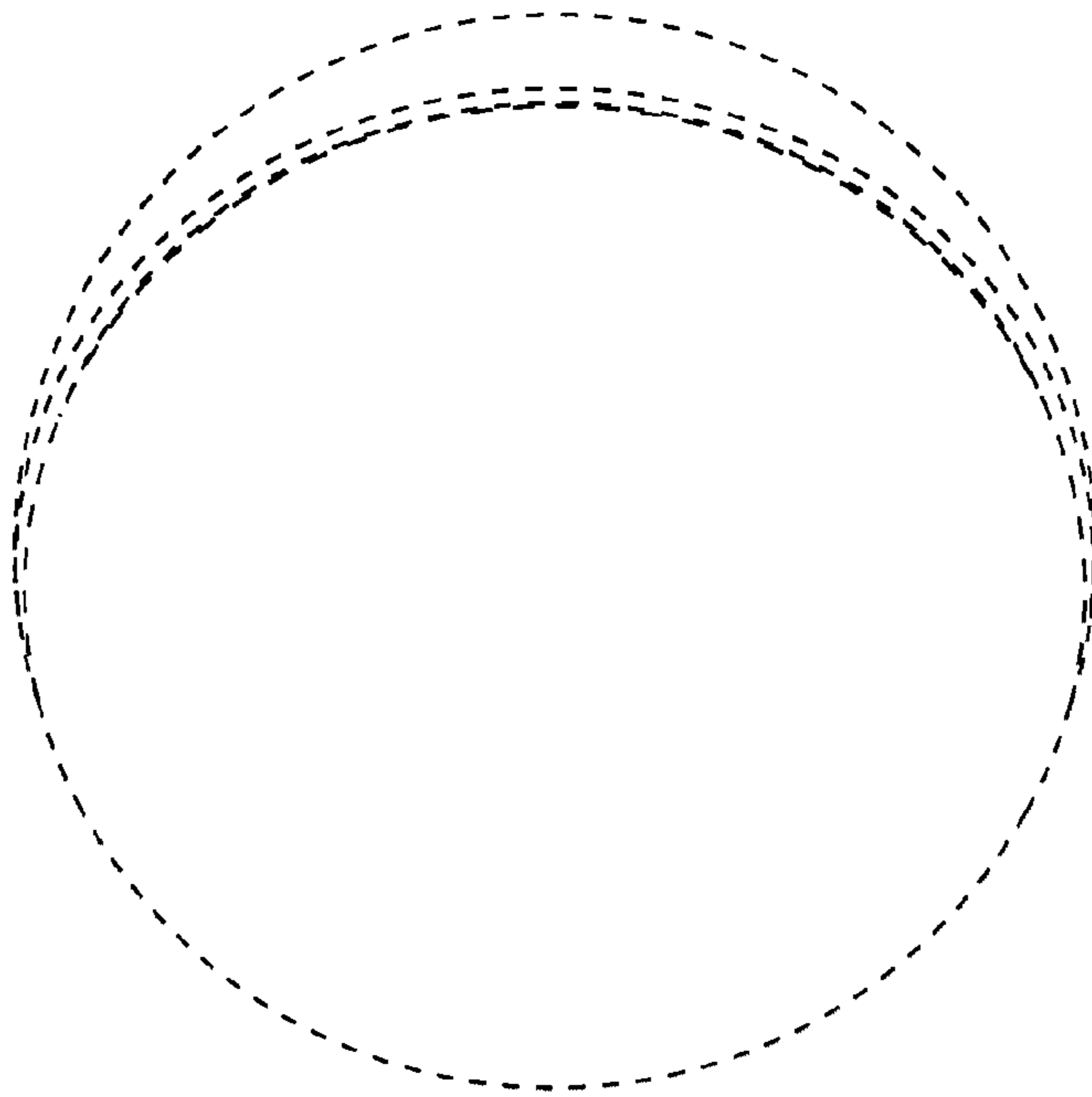


FIG.7

