



US00D643550S

(12) **United States Design Patent**
Murakami et al.

(10) **Patent No.:** **US D643,550 S**

(45) **Date of Patent:** **** Aug. 16, 2011**

(54) **LIGHT EMITTING DIODE LAMP**

FOREIGN PATENT DOCUMENTS

(75) Inventors: **Yutaka Murakami**, Shiga (JP); **Kenji Takahashi**, Osaka (JP); **Yasushige Tomiyoshi**, Osaka (JP)

JP D999296 9/1997
JP D1037219 2/1999

* cited by examiner

(73) Assignee: **Panasonic Corporation**, Osaka (JP)

Primary Examiner — Marcus Jackson

(**) Term: **14 Years**

(74) *Attorney, Agent, or Firm* — Brinks Hofer Gilson & Lione

(21) Appl. No.: **29/380,092**

(57) **CLAIM**

(22) Filed: **Nov. 30, 2010**

We claim the ornamental design for a light emitting diode lamp, as shown and described.

(30) **Foreign Application Priority Data**

DESCRIPTION

Jun. 4, 2010 (JP) 2010-013809
Jun. 4, 2010 (JP) 2010-013810

(51) **LOC (9) Cl.** **26-04**

(52) **U.S. Cl.** **D26/2**

(58) **Field of Classification Search** D26/1-4;
313/313, 315, 316, 317, 318, 493; 315/52,
315/53, 56, 57, 58

See application file for complete search history.

FIG. 1 is a front perspective view of a first embodiment of a light emitting diode lamp of the present invention;
FIG. 2 is a front view thereof;
FIG. 3 is a rear view thereof;
FIG. 4 is a first side view thereof;
FIG. 5 is a second side view thereof;
FIG. 6 is a top view thereof;
FIG. 7 is a bottom view thereof;
FIG. 8 is a front perspective view of a second embodiment of a light emitting diode lamp of the present invention;
FIG. 9 is a front view thereof;
FIG. 10 is a rear view thereof;
FIG. 11 is a first side view thereof;
FIG. 12 is a second side view thereof;
FIG. 13 is a top view thereof; and,
FIG. 14 is a bottom view thereof.

(56) **References Cited**

U.S. PATENT DOCUMENTS

D480,486 S 10/2003 Kakuno et al.
D534,665 S * 1/2007 Egawa et al. D26/2
D542,426 S * 5/2007 Itaya et al. D26/2
D549,361 S * 8/2007 To et al. D26/2
D581,556 S * 11/2008 To et al. D26/2
D600,367 S * 9/2009 Bertram et al. D26/2
D602,614 S * 10/2009 Takahashi et al. D26/2
D617,918 S * 6/2010 Yamamoto et al. D26/2
D617,920 S 6/2010 Hiraga et al.
D633,227 S * 2/2011 Murakami et al. D26/2
D635,281 S * 3/2011 Murakami et al. D26/2

The broken line showing of light emitting diode lamp is included for the purpose of illustrating environment and forms no part of the claimed design.

1 Claim, 12 Drawing Sheets

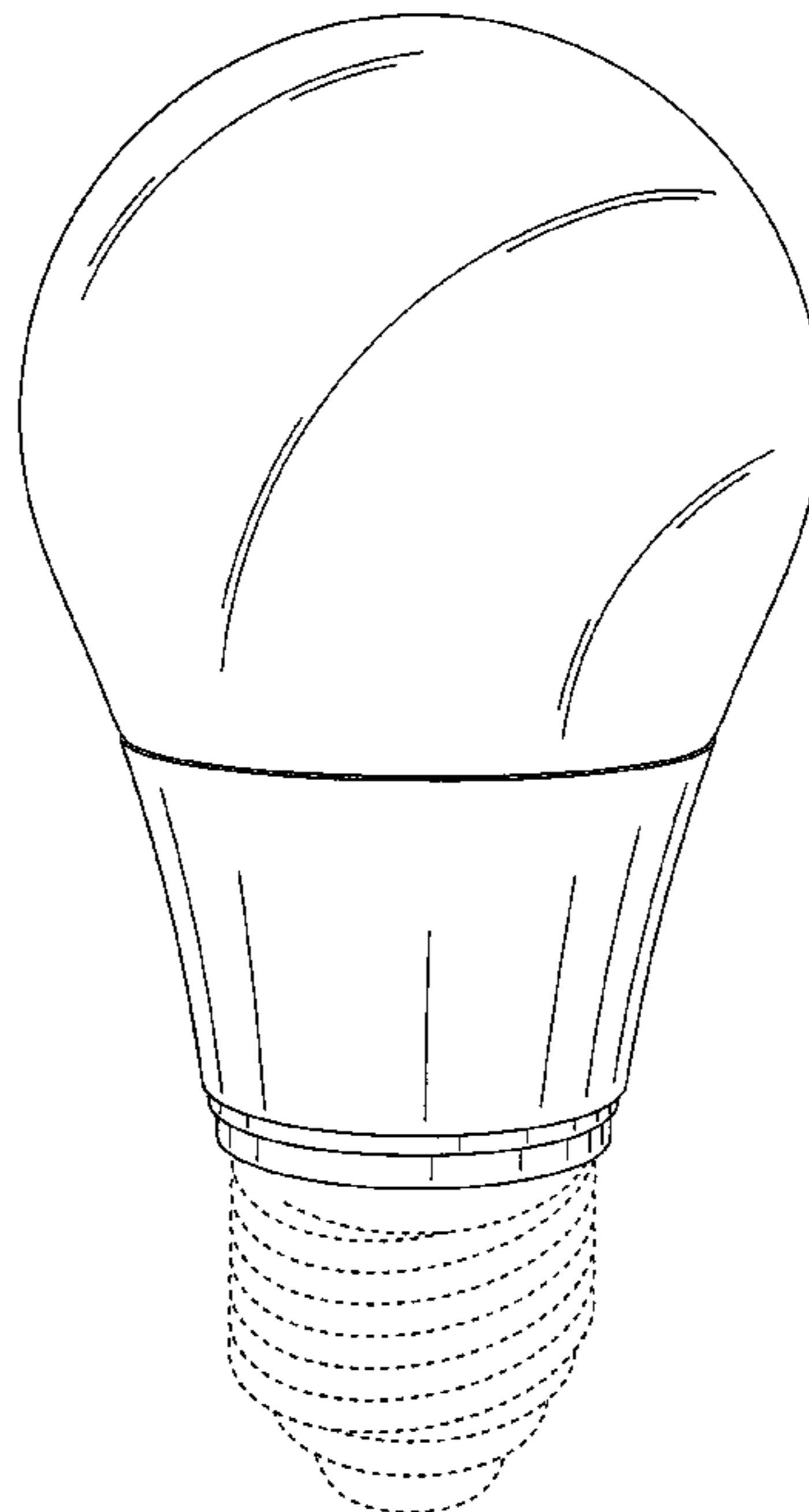


FIG.1

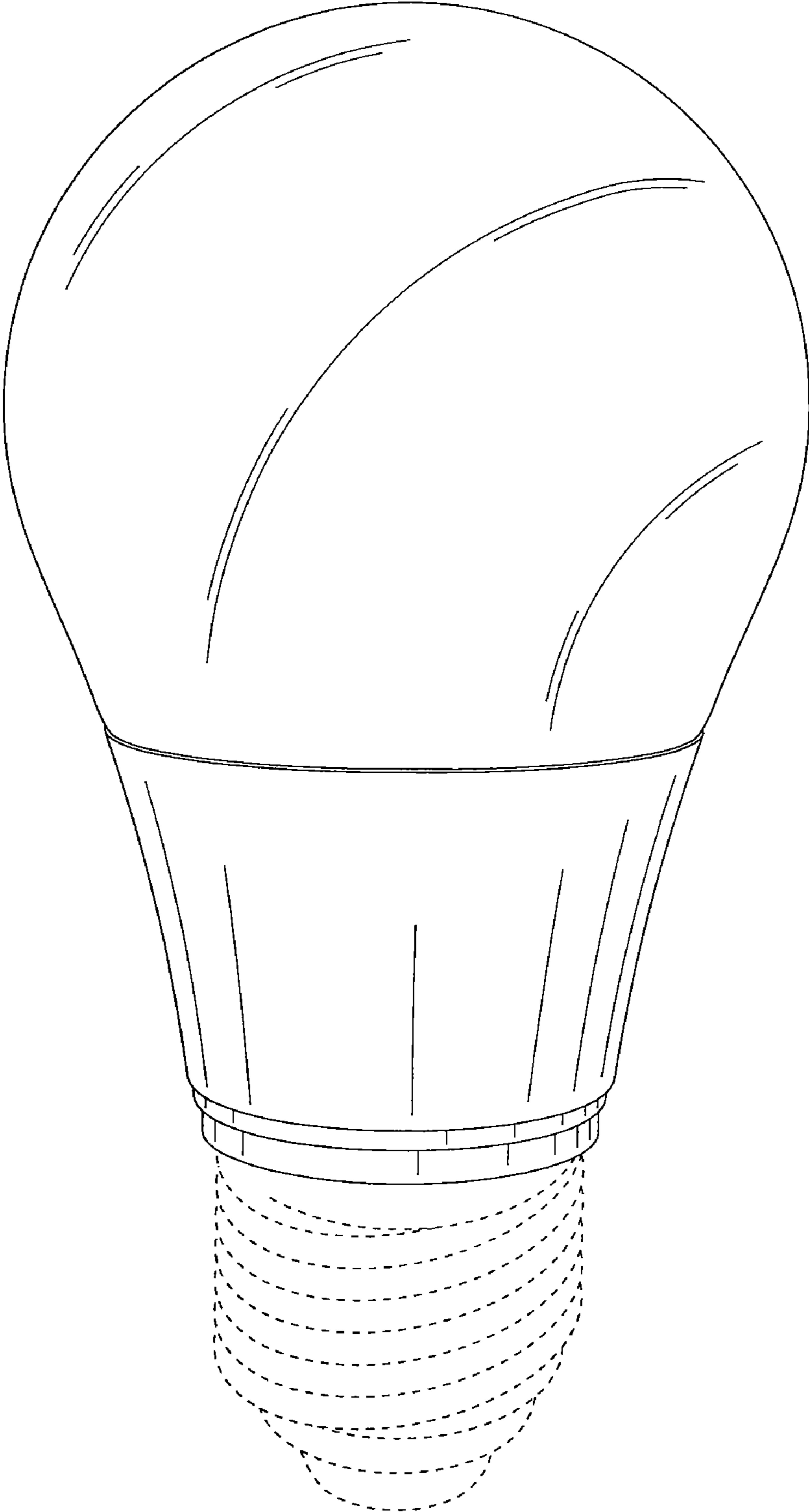


FIG.2

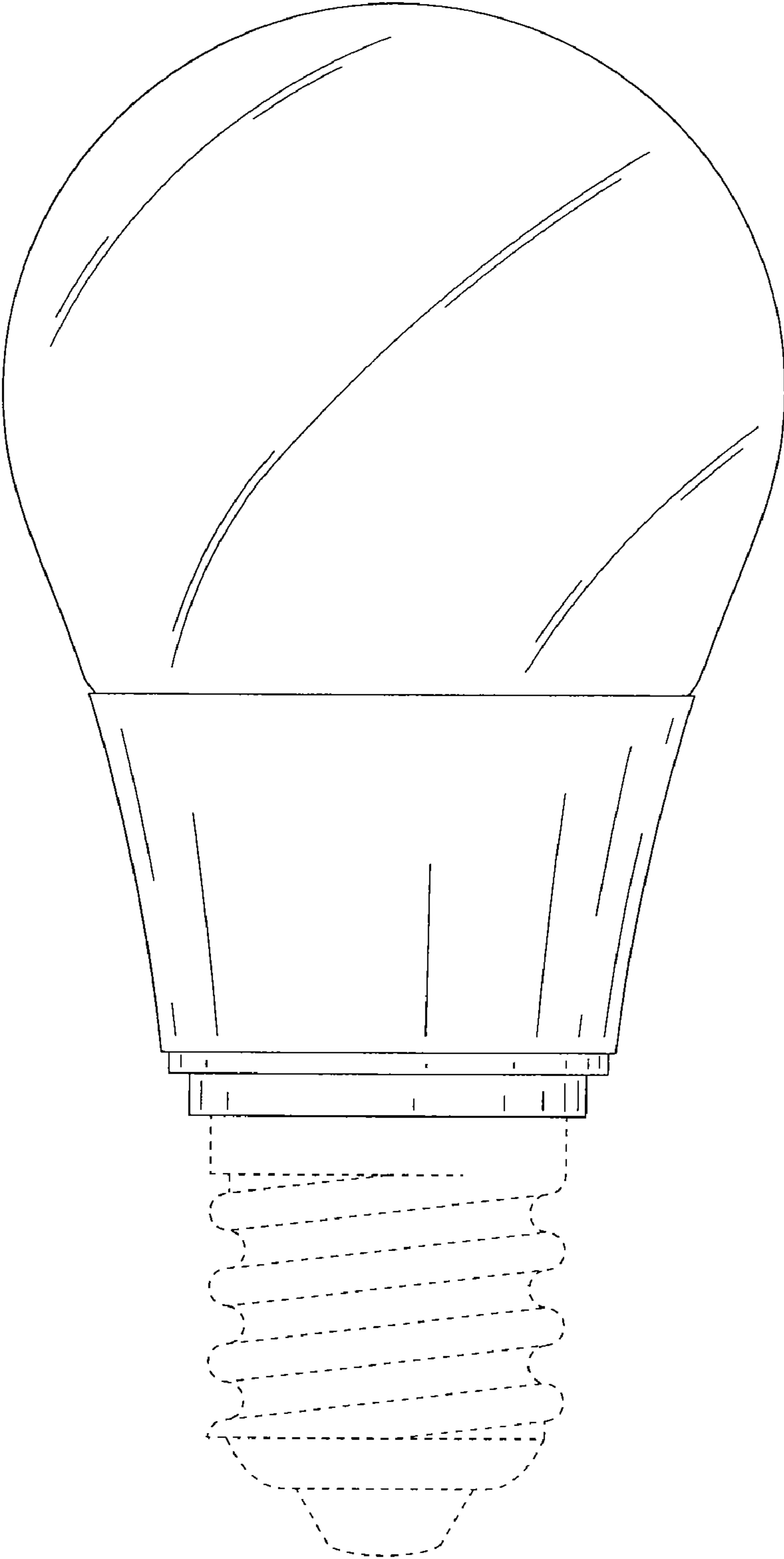


FIG.3

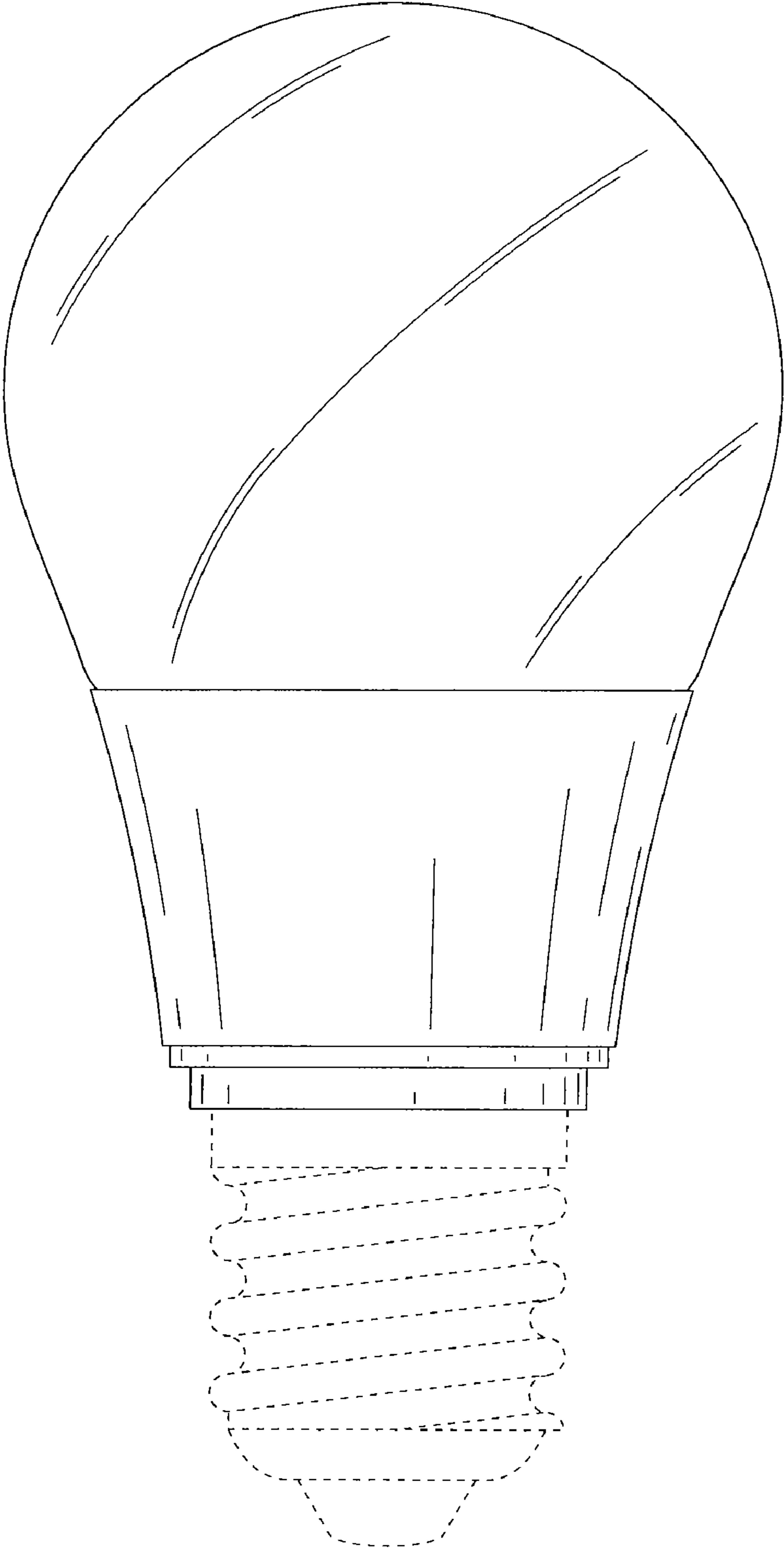


FIG.4

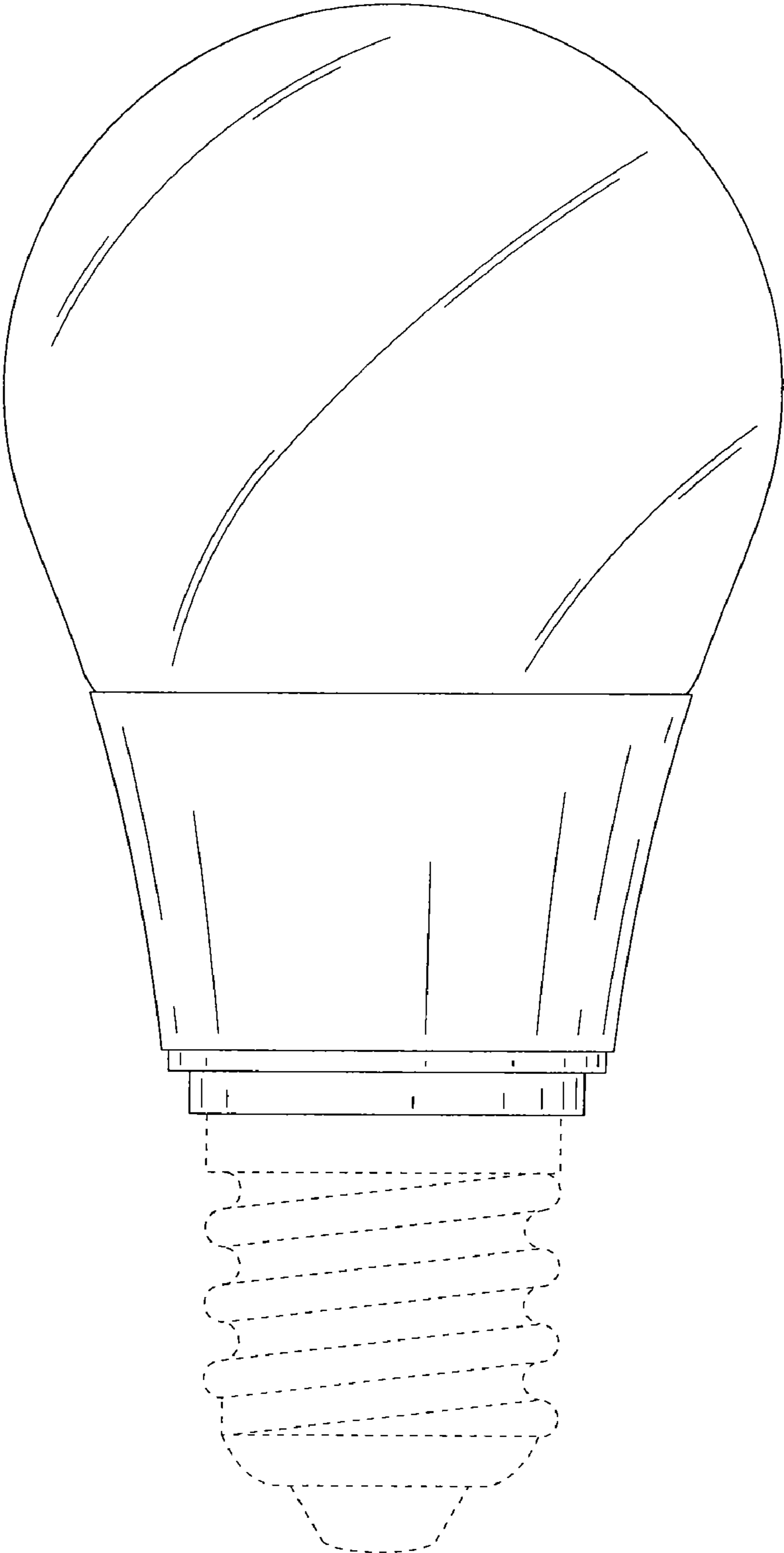


FIG.5

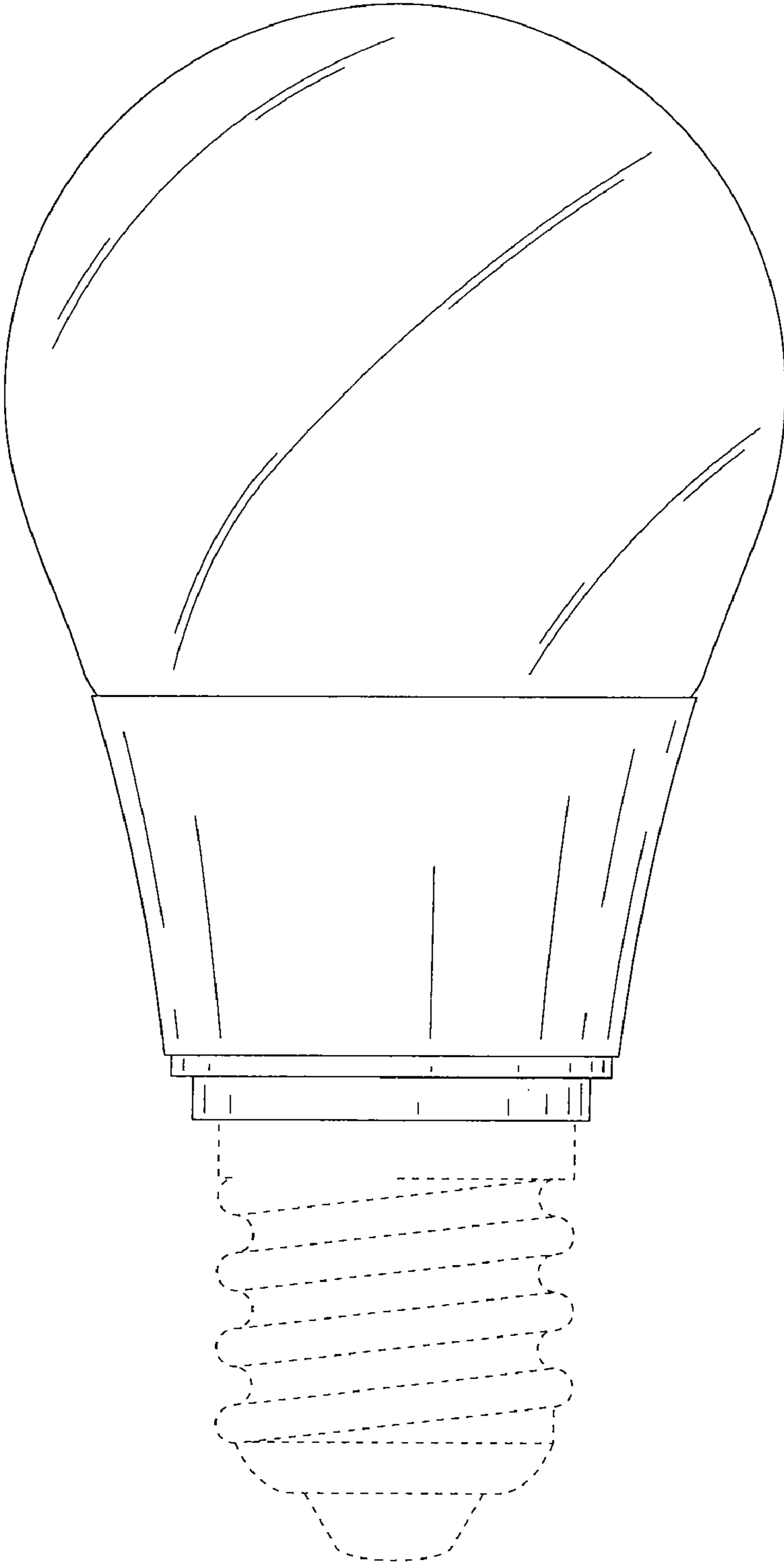


FIG.6

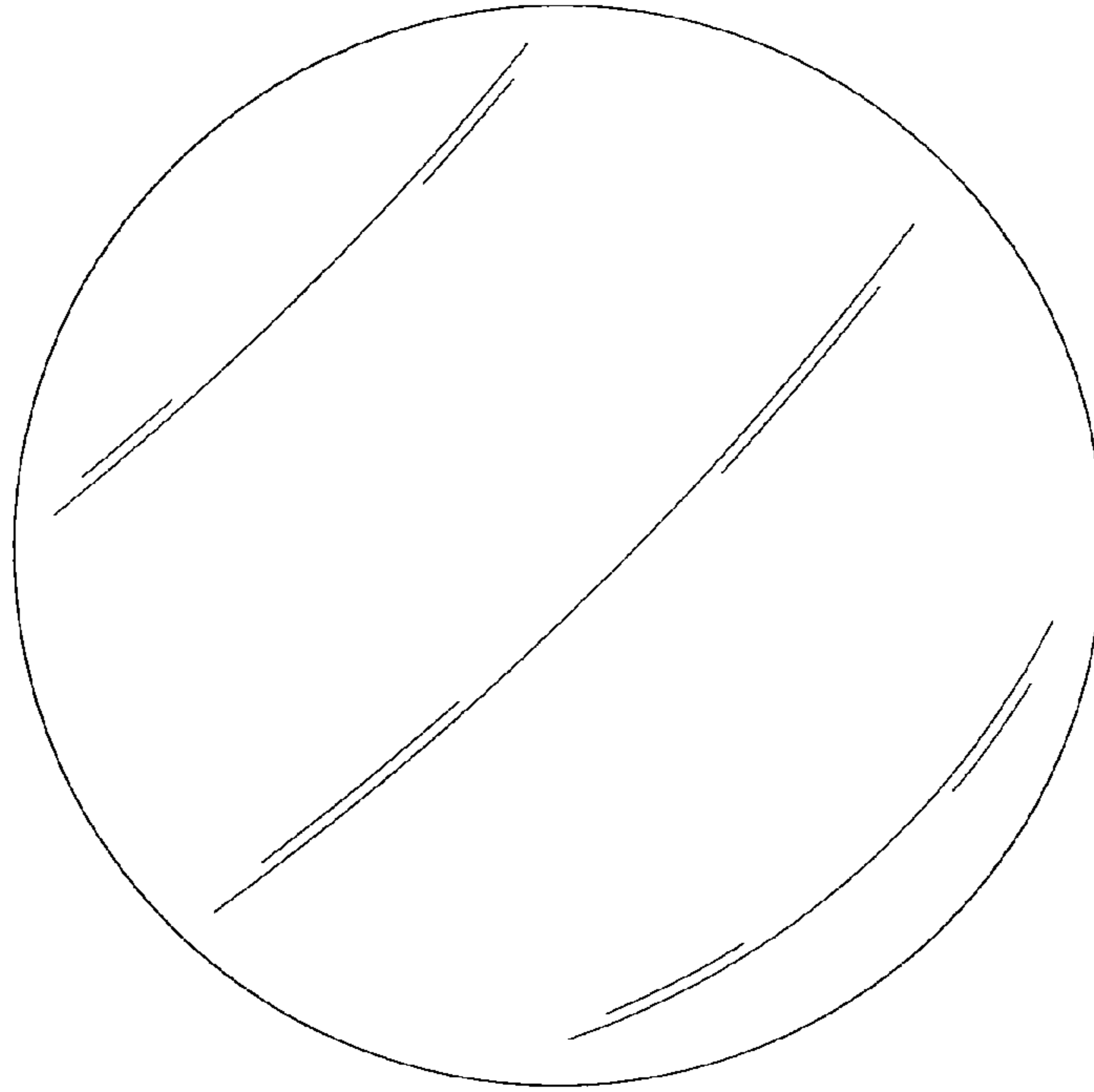


FIG.7

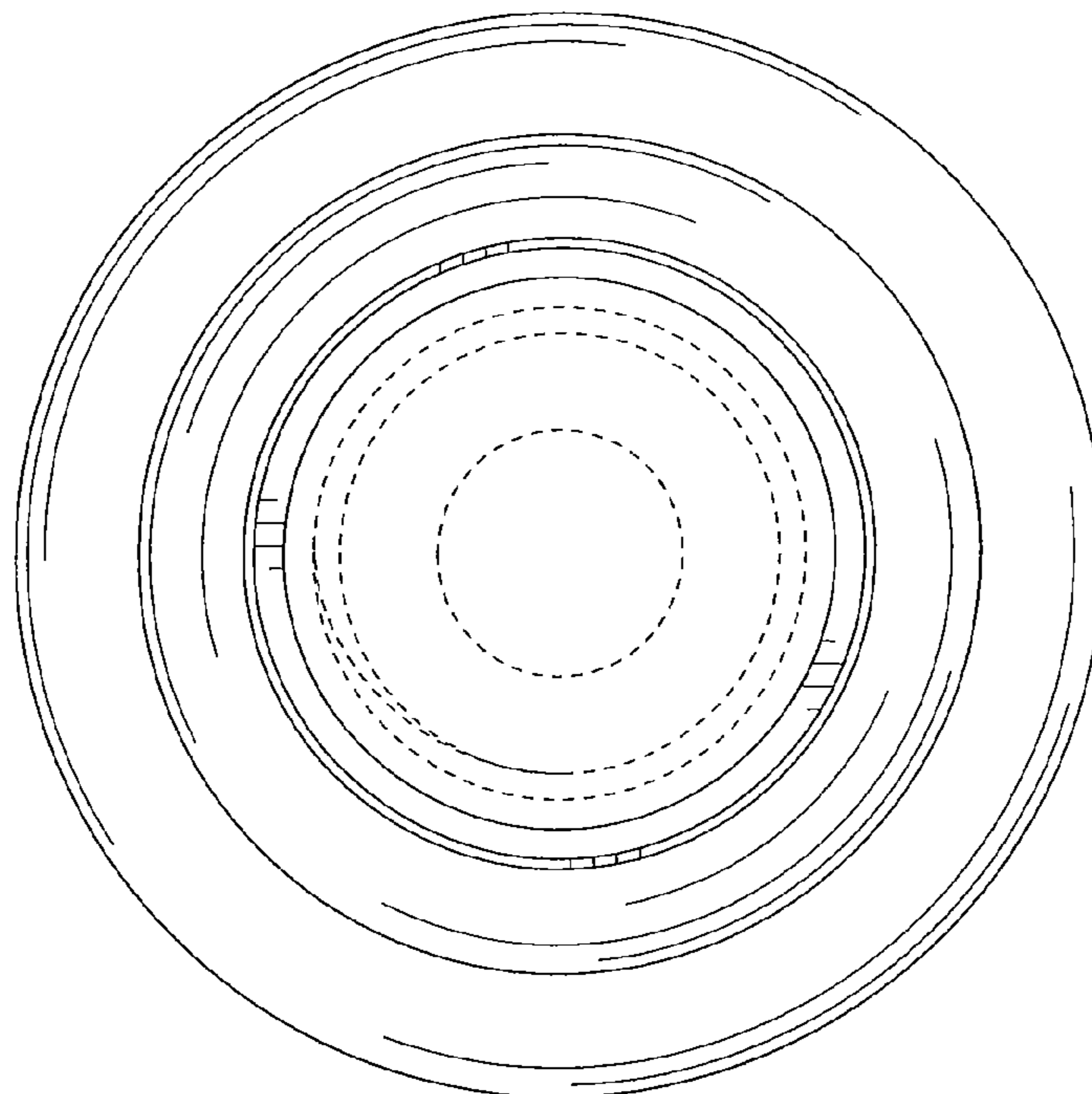


FIG.8

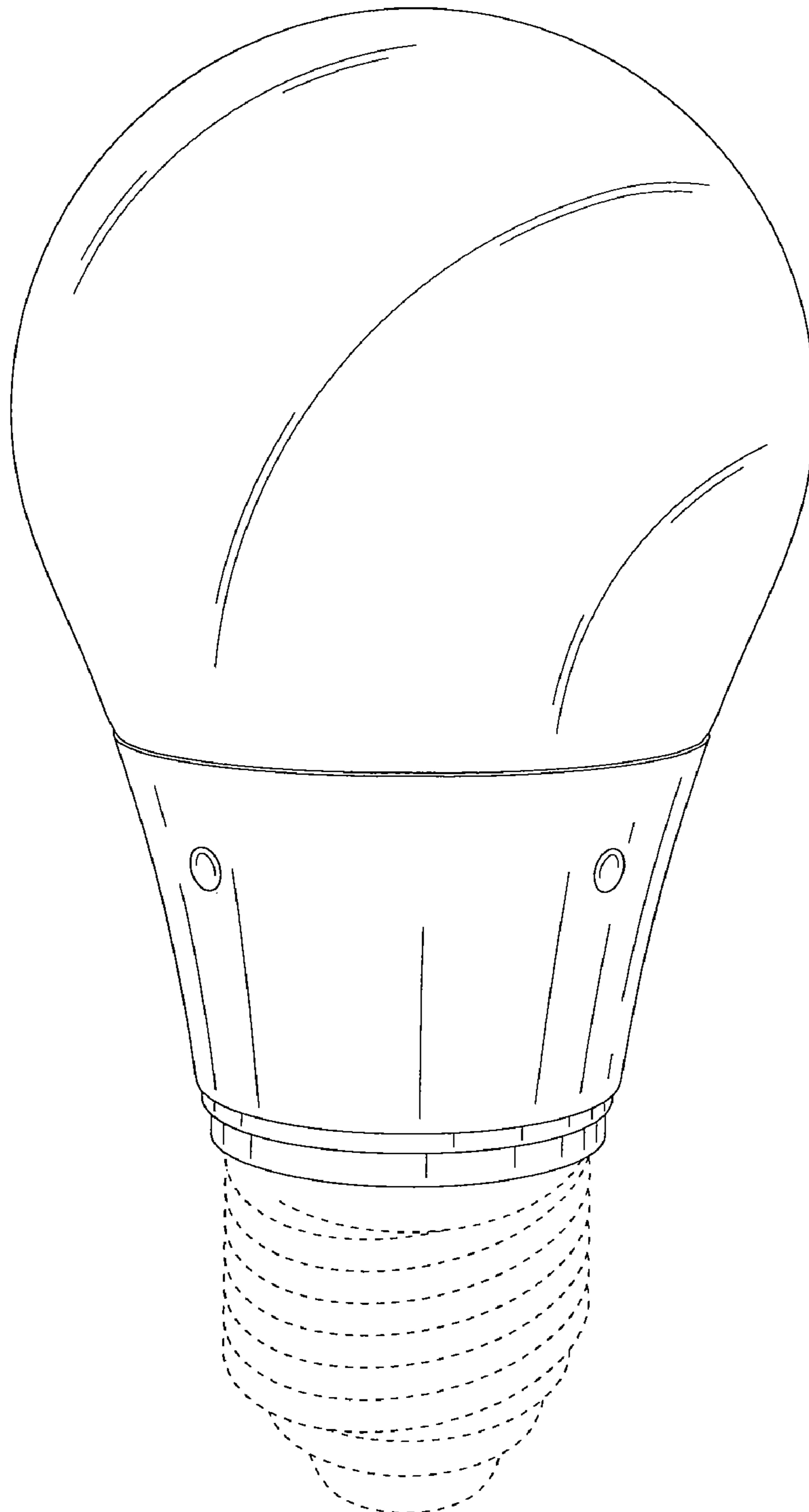


FIG.9

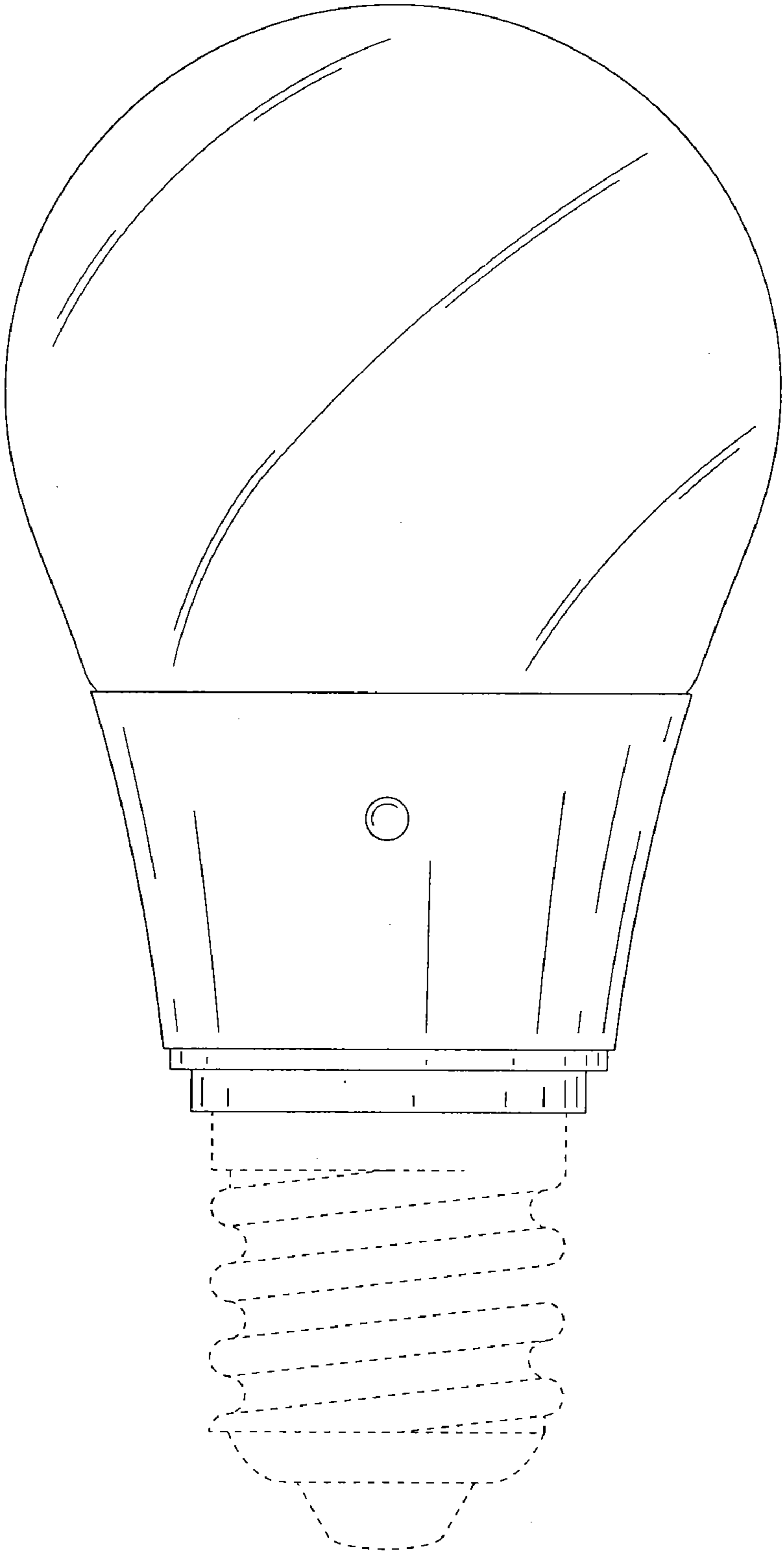


FIG.10

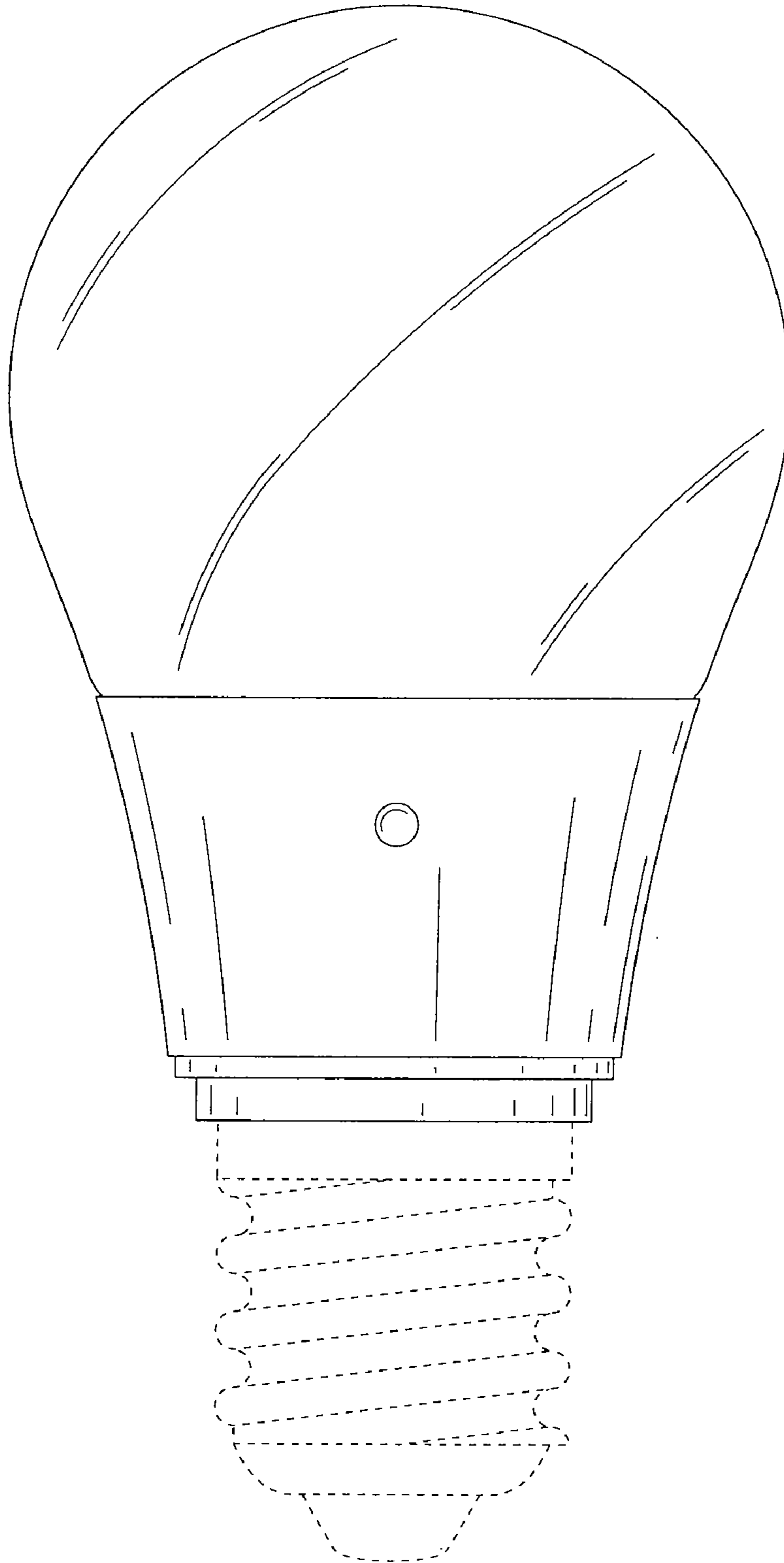


FIG.11

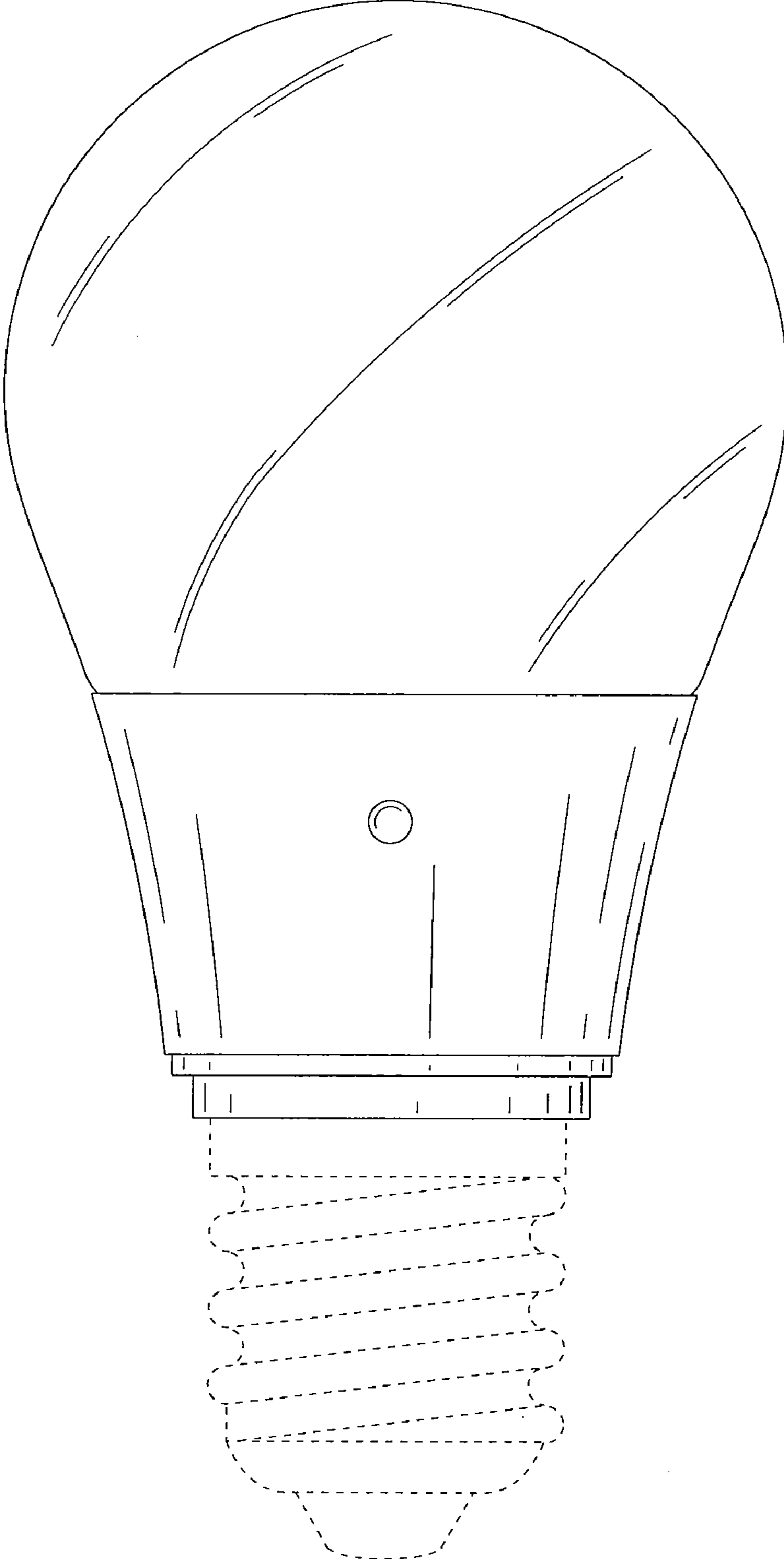


FIG.12

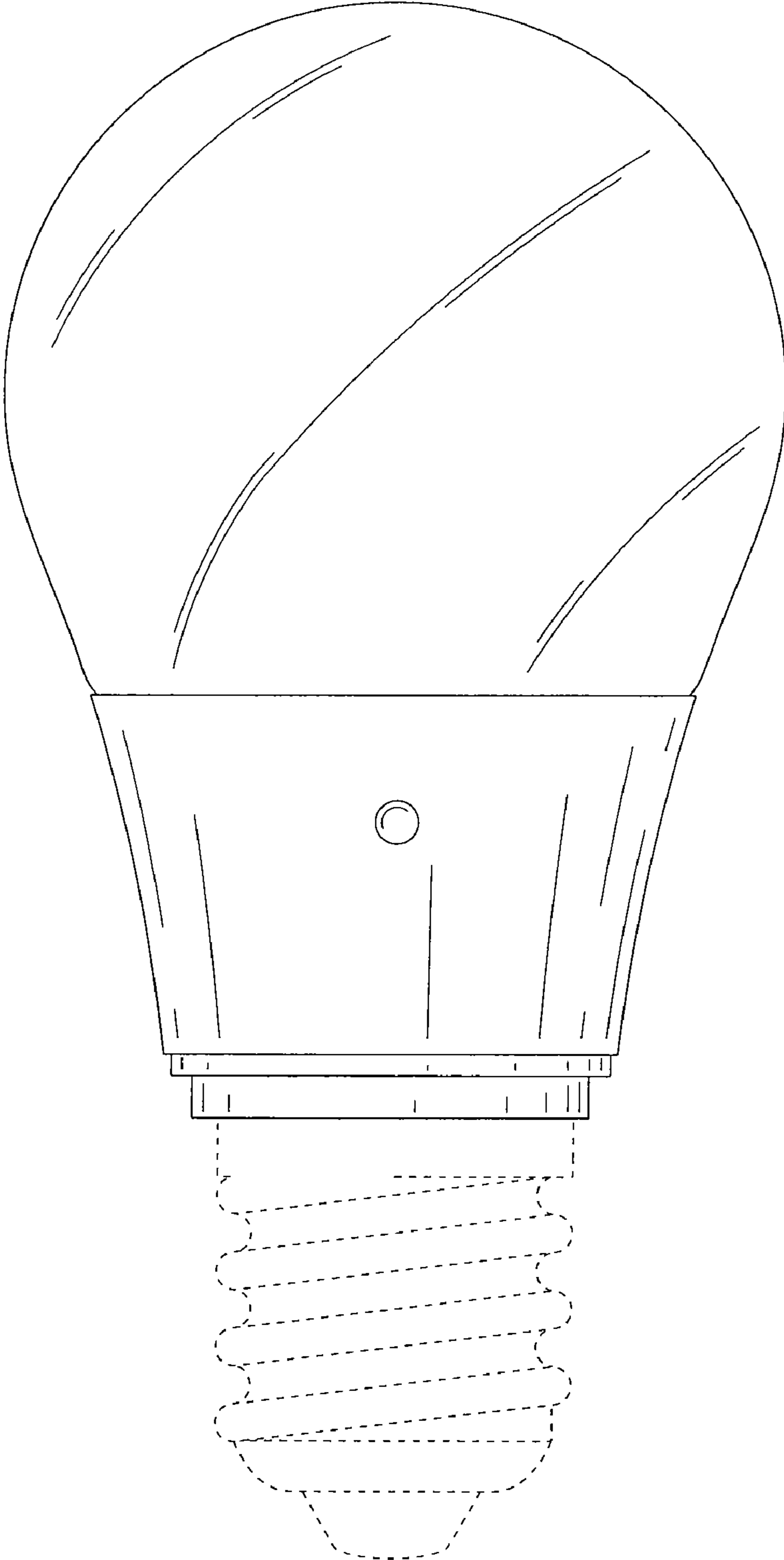


FIG.13

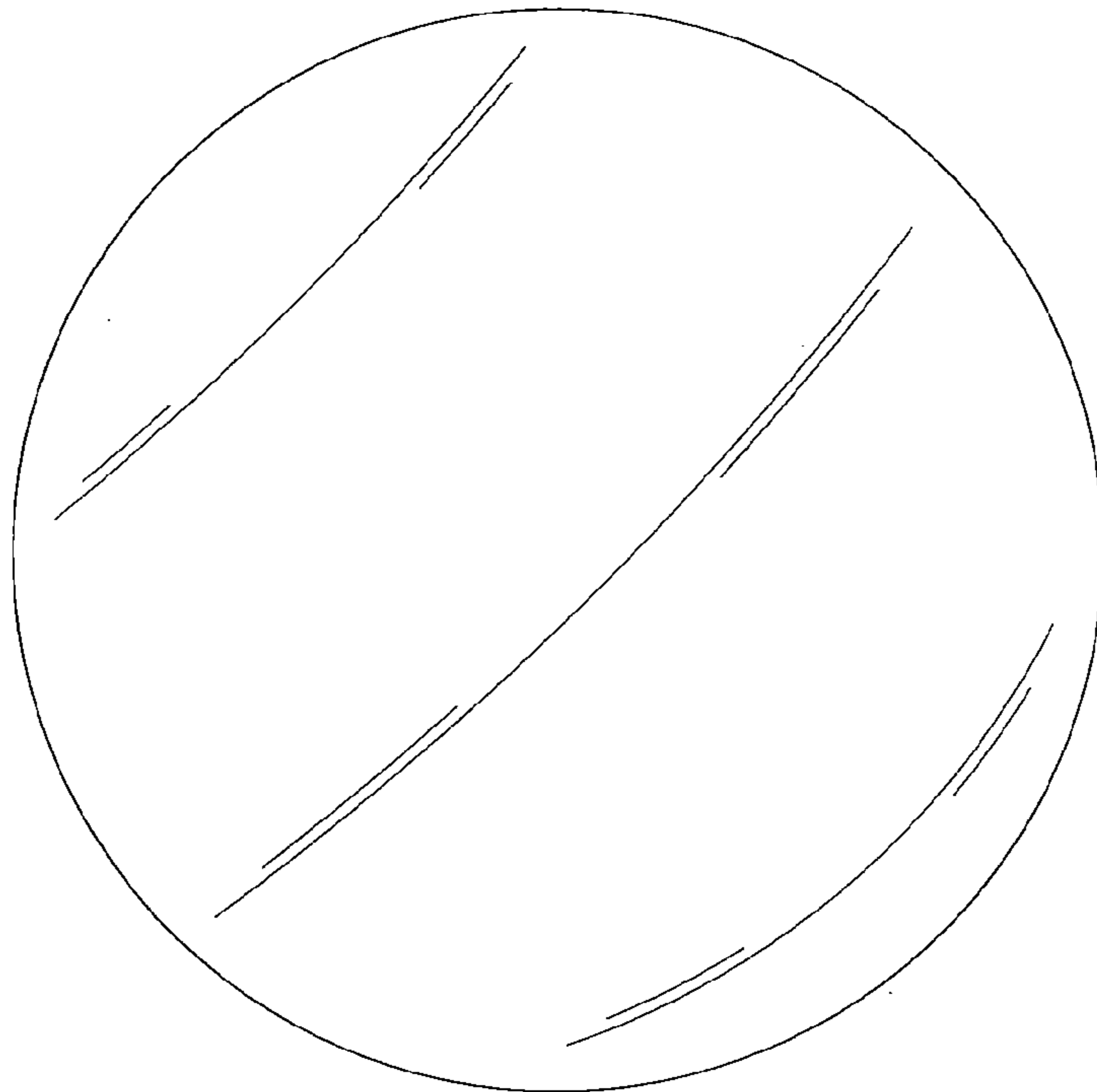


FIG.14

