



US00D643535S

(12) **United States Design Patent**  
**Ross et al.**

(10) **Patent No.:** **US D643,535 S**  
(45) **Date of Patent:** **\*\* Aug. 16, 2011**

(54) **MEDICAL VENTILATOR**

(75) Inventors: **Christopher G. Ross**, Del Mar, CA (US); **Terry L. Landis**, Solana Beach, CA (US); **Patrick P. Hicks**, San Diego, CA (US); **Eric W. Schieve**, Del Mar, CA (US)

(73) Assignee: **Nellcor Puritan Bennett LLC**, Boulder, CO (US)

(\*\*) Term: **14 Years**

(21) Appl. No.: **29/351,402**

(22) Filed: **Dec. 4, 2009**

(51) **LOC (9) Cl.** ..... **24-01**

(52) **U.S. Cl.** ..... **D24/164**

(58) **Field of Classification Search** ..... D24/163, D24/164, 185, 186; D34/14, 19, 20; 280/47.34, 280/47.35; 128/205.13, 205.18, 205.24, 128/204.18, 204.22, 204.26, 204.28; 96/111, 96/116, 117, 121, 130, 144  
See application file for complete search history.

(56) **References Cited**

**U.S. PATENT DOCUMENTS**

5,170,804	A	12/1992	Glassman	.....	128/849
5,497,766	A *	3/1996	Foster et al.	.....	128/200.24
5,518,310	A	5/1996	Ellman et al.	.....	312/249.12
D387,168	S *	12/1997	Edelman et al.	.....	D24/186
D389,917	S *	1/1998	Hornback et al.	.....	D24/185
D447,567	S	9/2001	Murphy et al.	.....	D24/172
D459,477	S	6/2002	Stocks et al.	.....	D24/164
6,543,449	B1 *	4/2003	Woodring et al.	.....	128/204.18
6,626,445	B2	9/2003	Murphy et al.	.....	280/47.34
6,669,639	B1	12/2003	Miller et al.	.....	600/443
D486,915	S	2/2004	Warschewske et al.	.....	D24/185
D492,856	S	7/2004	Rossini et al.	.....	D6/426
D493,042	S	7/2004	Rossini et al.	.....	D6/426
D493,977	S	8/2004	Rossini et al.	.....	D6/426
D500,575	S	1/2005	Lucas	.....	D34/12
6,980,419	B2	12/2005	Smith et al.	.....	361/679.41

D518,267	S	3/2006	Arceta	.....	D34/14
D531,728	S *	11/2006	Helgeson	.....	D24/164
D534,746	S	1/2007	Rossini et al.	.....	D6/495
D535,509	S	1/2007	Rossini et al.	.....	D6/511
7,188,621	B2 *	3/2007	DeVries et al.	.....	128/204.21
D539,794	S	4/2007	Rossini et al.	.....	D14/302
D544,962	S	6/2007	Diener et al.	.....	D24/186
D548,918	S	8/2007	Nussberger	.....	D34/17
7,352,570	B2	4/2008	Smith et al.	.....	361/679.41
7,455,062	B2 *	11/2008	Roehl et al.	.....	128/204.21
7,464,709	B2 *	12/2008	Nguyen	.....	128/205.24
7,594,668	B2	9/2009	Arceta et al.	.....	280/47.35
2003/0145854	A1 *	8/2003	Hickle	.....	128/204.18
2005/0288571	A1	12/2005	Perkins et al.	.....	600/407
2008/0055826	A1	3/2008	Smith et al.	.....	361/679.23

\* cited by examiner

*Primary Examiner* — T. Chase Nelson

*Assistant Examiner* — Anhdao Doan

(57) **CLAIM**

The ornamental design for a medical ventilator, as shown and described.

**DESCRIPTION**

FIG. 1 is a perspective view of a medical ventilator according to the present invention;

FIG. 2 is a front elevational view of the medical ventilator shown in FIG. 1;

FIG. 3 is a rear elevational view of the medical ventilator shown in FIG. 1;

FIG. 4 is a right side elevational view of the medical ventilator shown in FIG. 1;

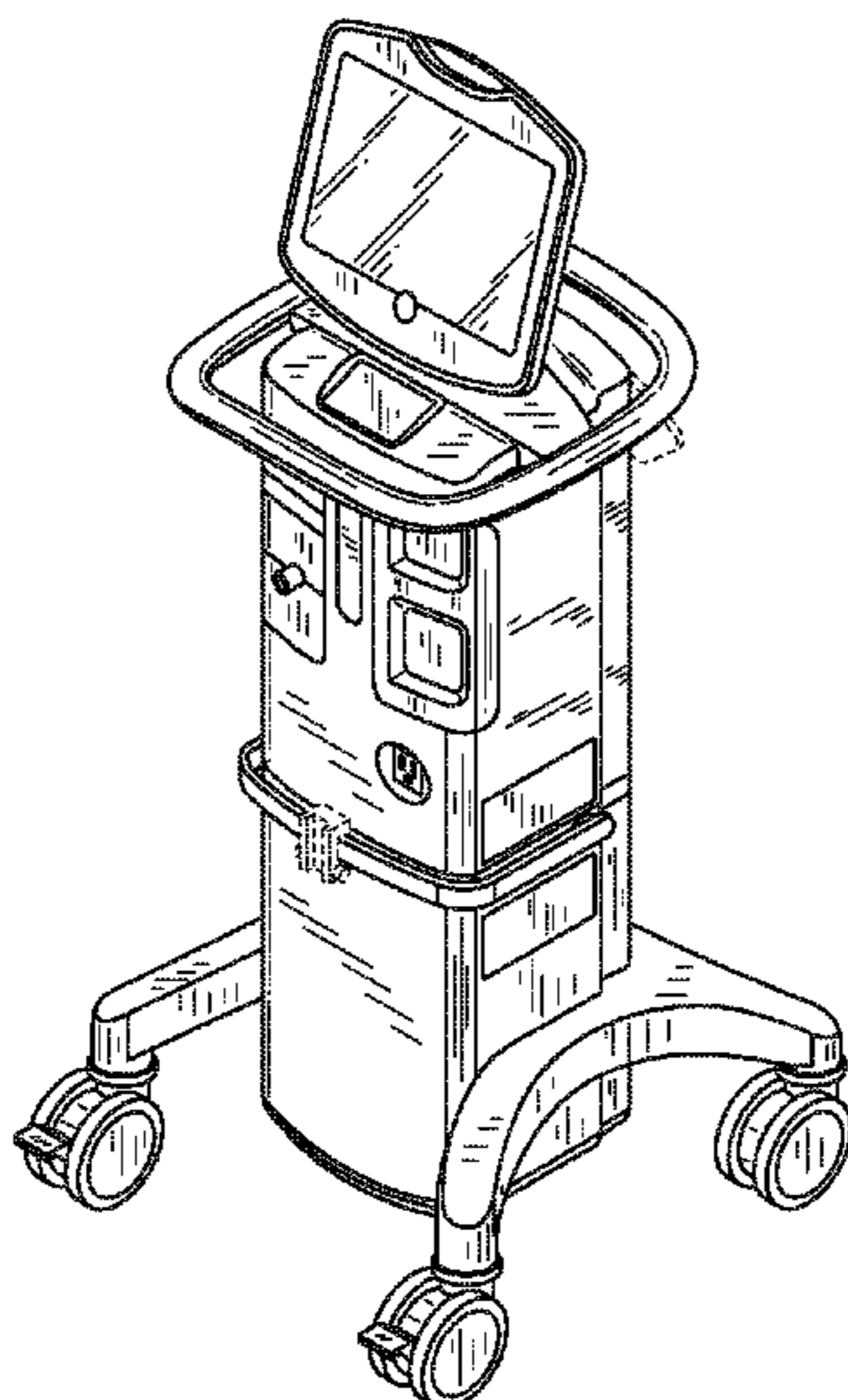
FIG. 5 is a left side elevational view of the medical ventilator shown in FIG. 1;

FIG. 6 is a top plan view of the medical ventilator shown in FIG. 1; and,

FIG. 7 is a bottom plan view of the medical ventilator shown in FIG. 1.

The broken lines in the drawing views are included for the purpose of illustrating portions of the medical ventilator that form a part of the claimed design.

**1 Claim, 6 Drawing Sheets**



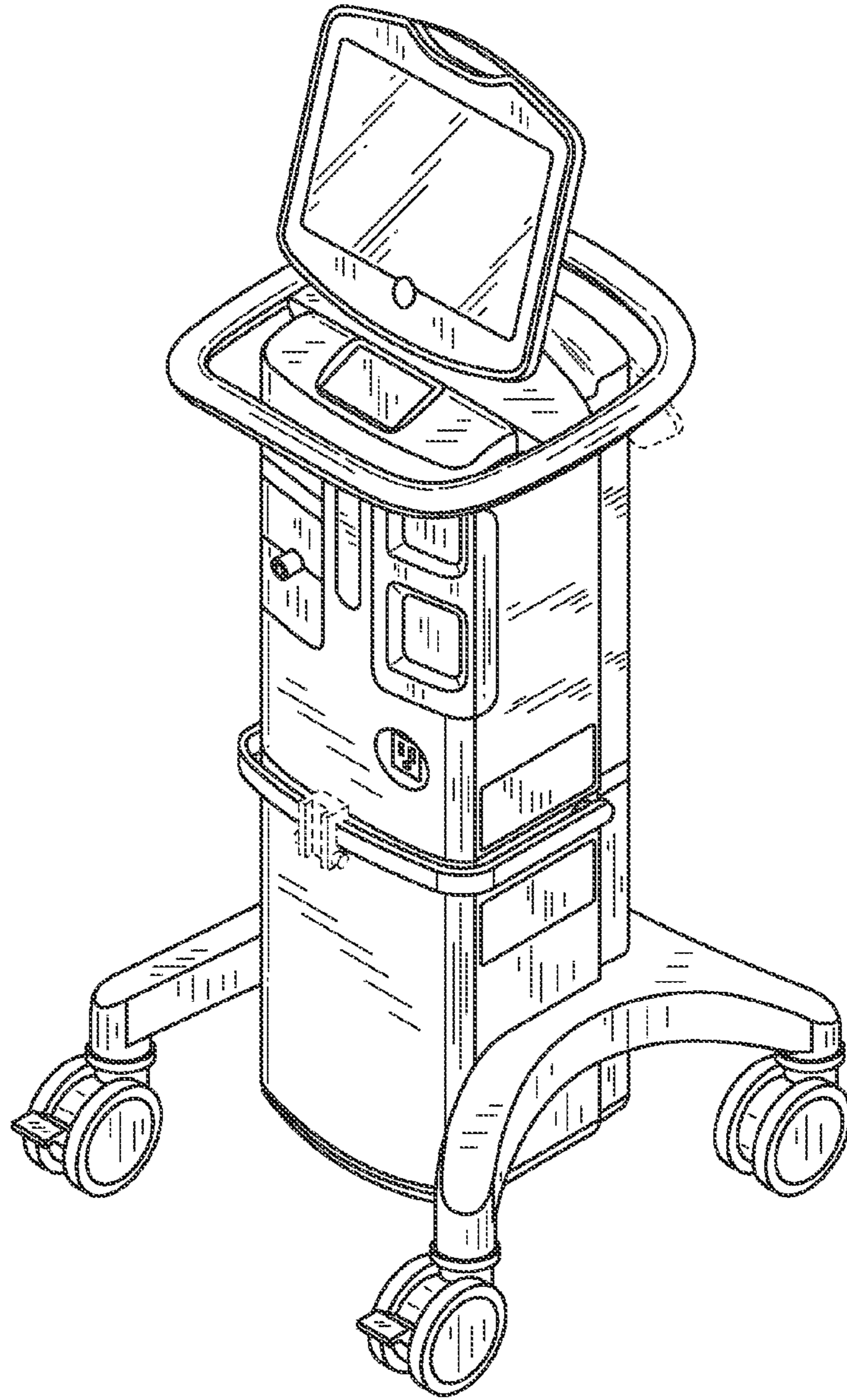


FIG. 1

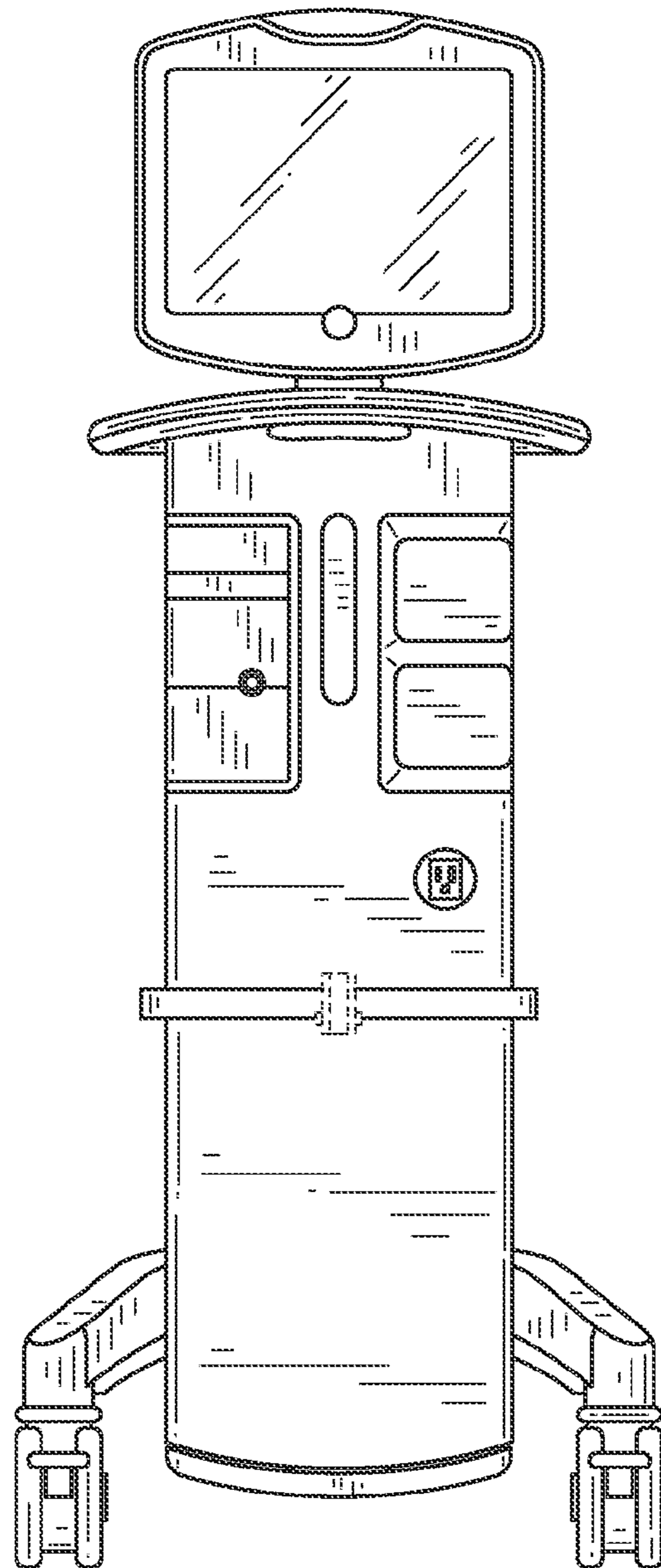


FIG.2

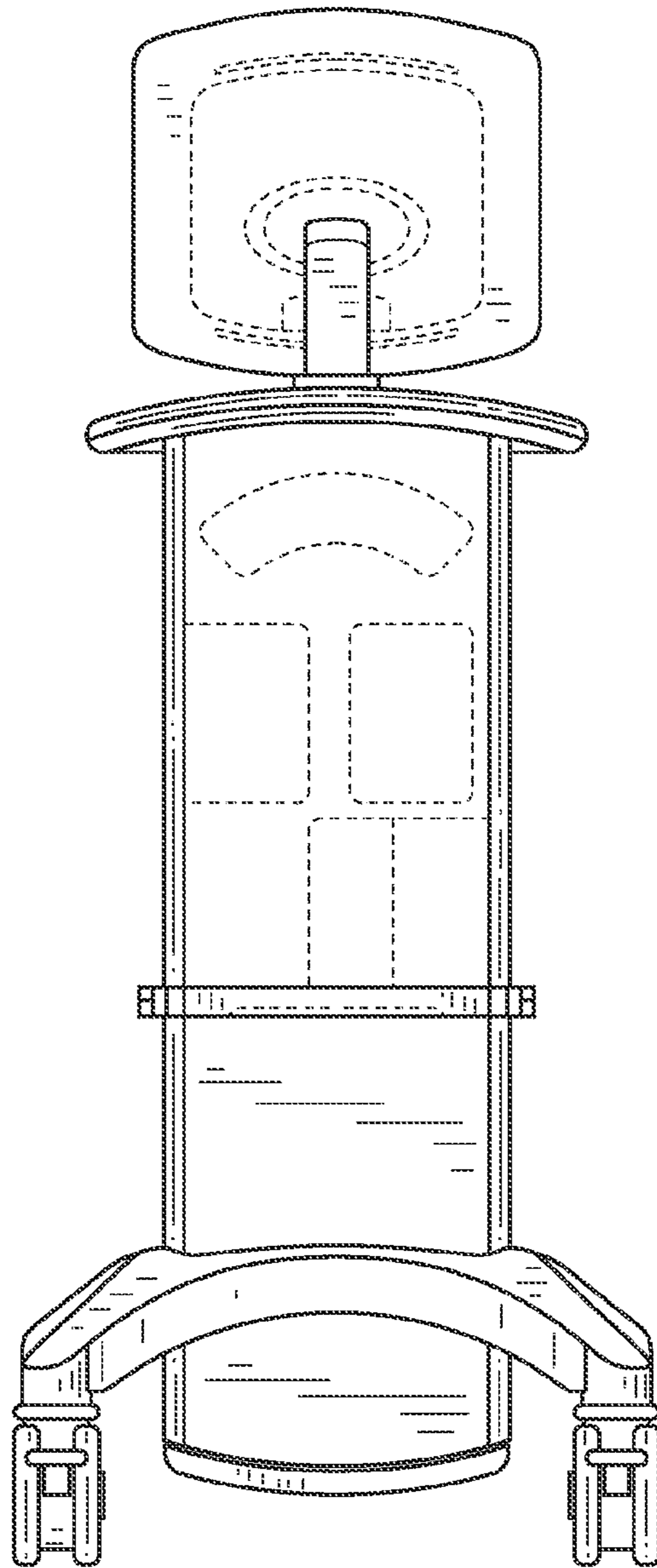


FIG.3

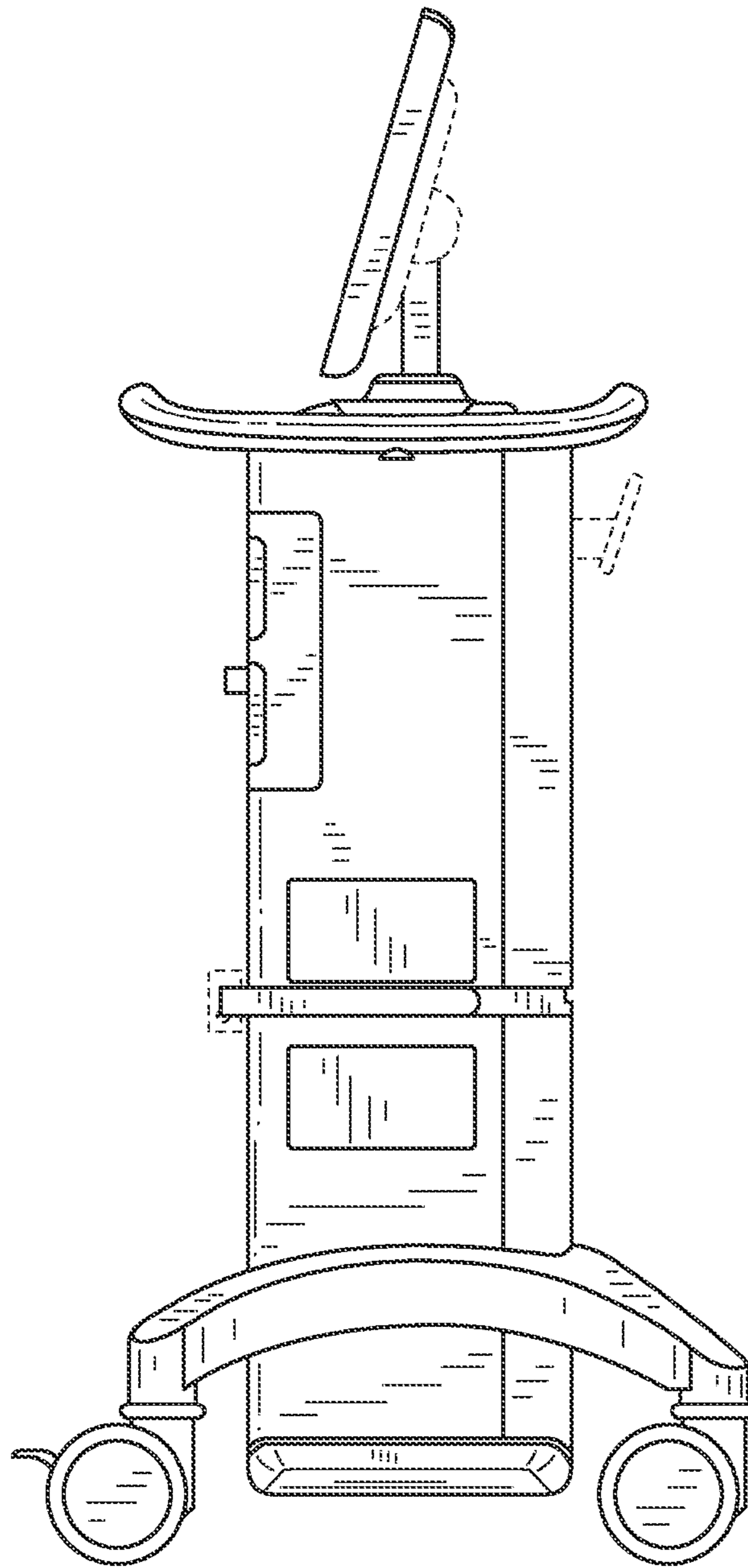


FIG.4

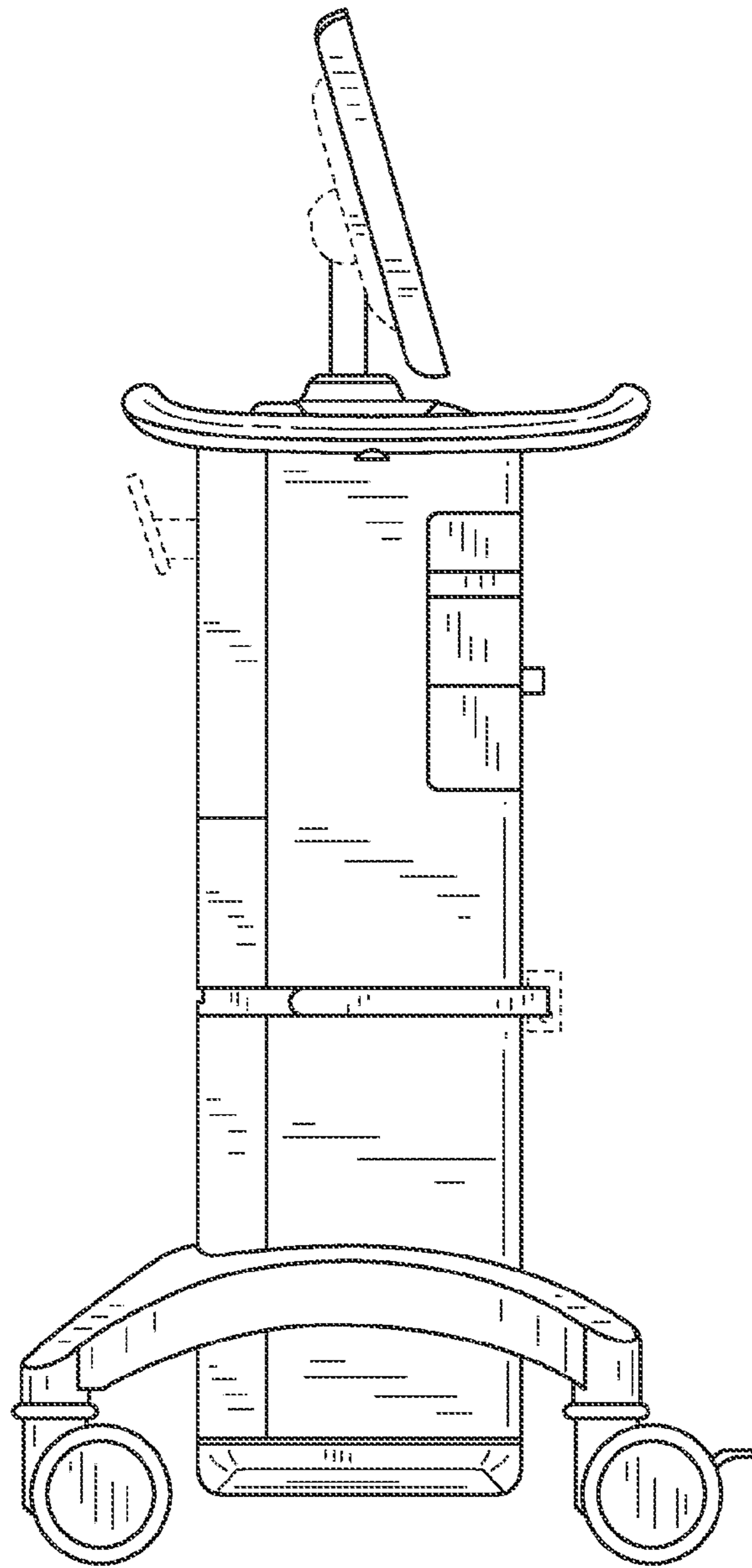


FIG.5

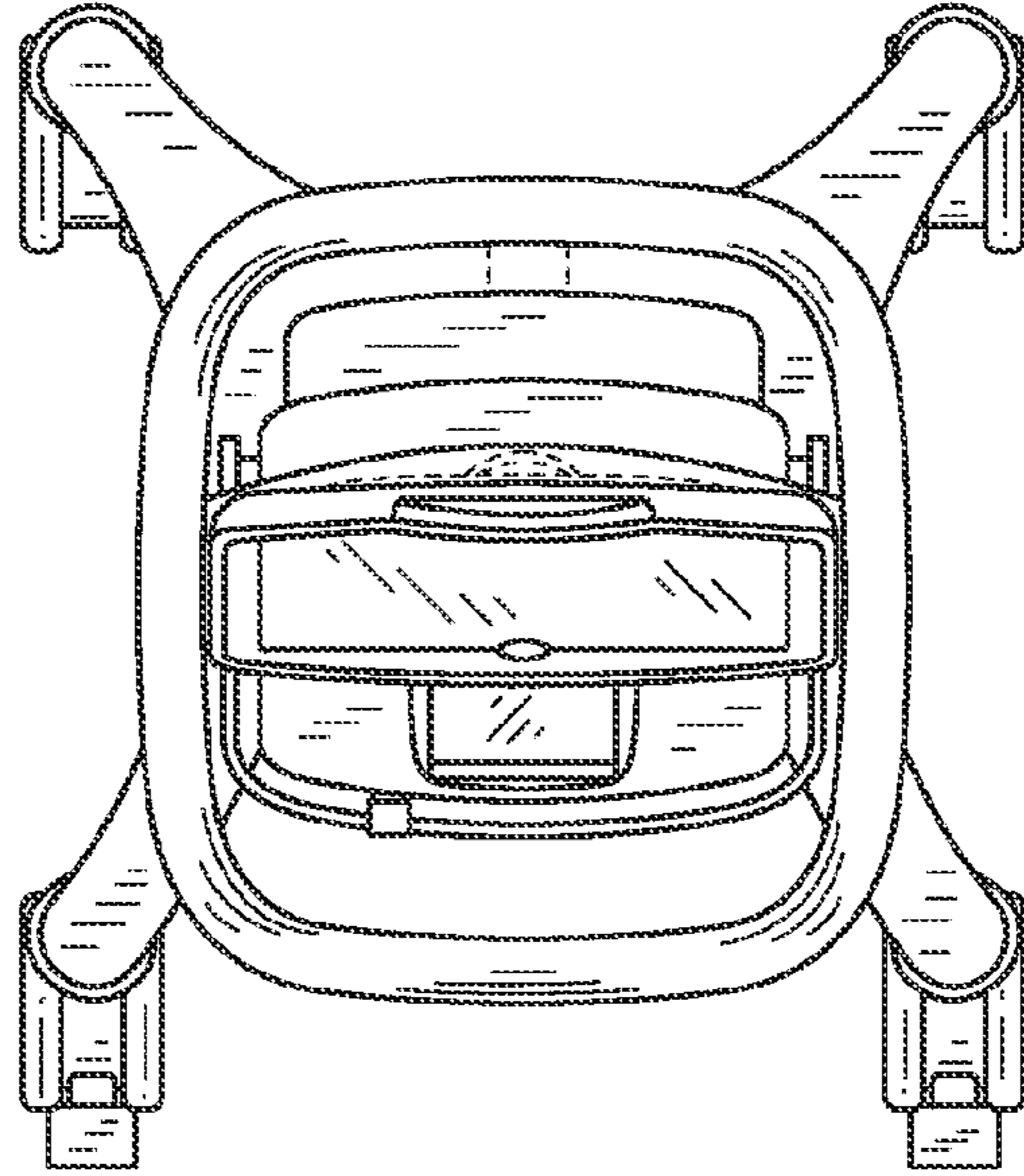


FIG. 6

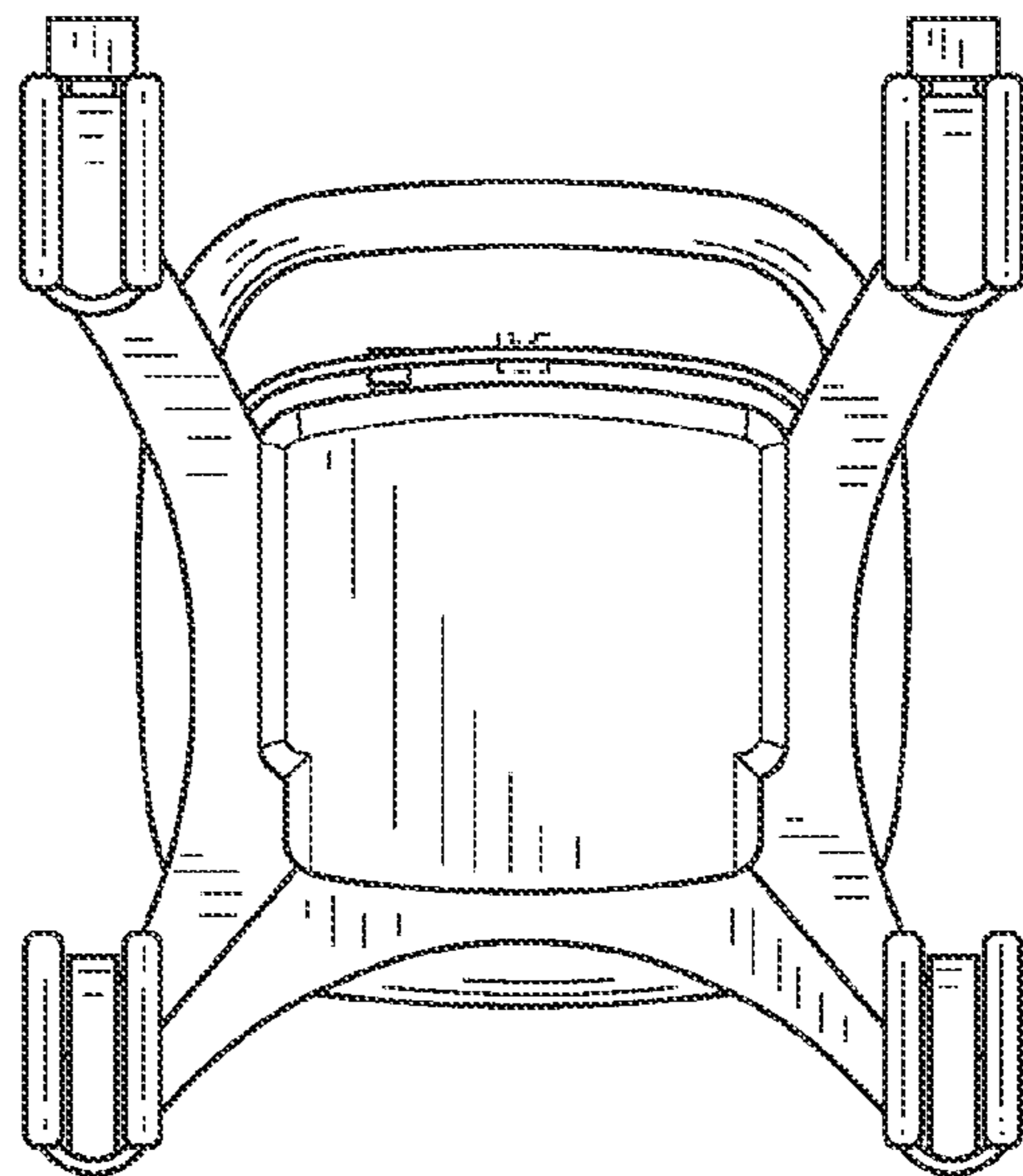


FIG. 7