



US00D643534S

(12) **United States Design Patent**  
**Halleck et al.**

(10) **Patent No.:** **US D643,534 S**

(45) **Date of Patent:** **\*\* Aug. 16, 2011**

(54) **ENDOSCOPIC VIDEO CAMERA**

(75) Inventors: **Kevin E. Halleck**, Santa Barbara, CA (US); **Sydney M. Machado**, Goleta, CA (US); **Marco A. Torres**, Oxnard, CA (US); **Greg M. Chambers**, San Luis Obispo, CA (US); **Angeli Mancuso Ruiz**, Santa Barbara, CA (US)

(73) Assignee: **Karl Storz Imaging, Inc.**, Goleta, CA (US)

(\*\*) Term: **14 Years**

(21) Appl. No.: **29/367,223**

(22) Filed: **Aug. 4, 2010**

(51) **LOC (9) Cl.** ..... **24-02**

(52) **U.S. Cl.** ..... **D24/138; D16/202**

(58) **Field of Classification Search** ..... D24/138, D24/137, 133; D16/202; 606/101-183  
See application file for complete search history.

(56) **References Cited**

**U.S. PATENT DOCUMENTS**

D331,288 S	*	11/1992	Yuen	.....	D24/214
D474,276 S		5/2003	Greise et al.		
D501,864 S		2/2005	Greise et al.		
D523,455 S		6/2006	Greise et al.		
D581,051 S	*	11/2008	Melder	.....	D24/138
D587,804 S		3/2009	Ruiz et al.		
D590,502 S	*	4/2009	Geisser et al.	.....	D24/133
D607,032 S		12/2009	Halleck et al.		

D621,932 S	*	8/2010	Sonleiter et al.	.....	D24/133
D629,098 S	*	12/2010	Sonleiter et al.	.....	D24/133
2005/0267329 A1	*	12/2005	Konstorum et al.	.....	600/112
2007/0276183 A1	*	11/2007	Melder	.....	600/112
2010/0069711 A1	*	3/2010	Deng et al.	.....	600/104

**FOREIGN PATENT DOCUMENTS**

EM 001237739-0001 \* 10/2010

\* cited by examiner

*Primary Examiner* — Bridget L Eland

(74) *Attorney, Agent, or Firm* — St. Onge Steward Johnston & Reens LLC

(57) **CLAIM**

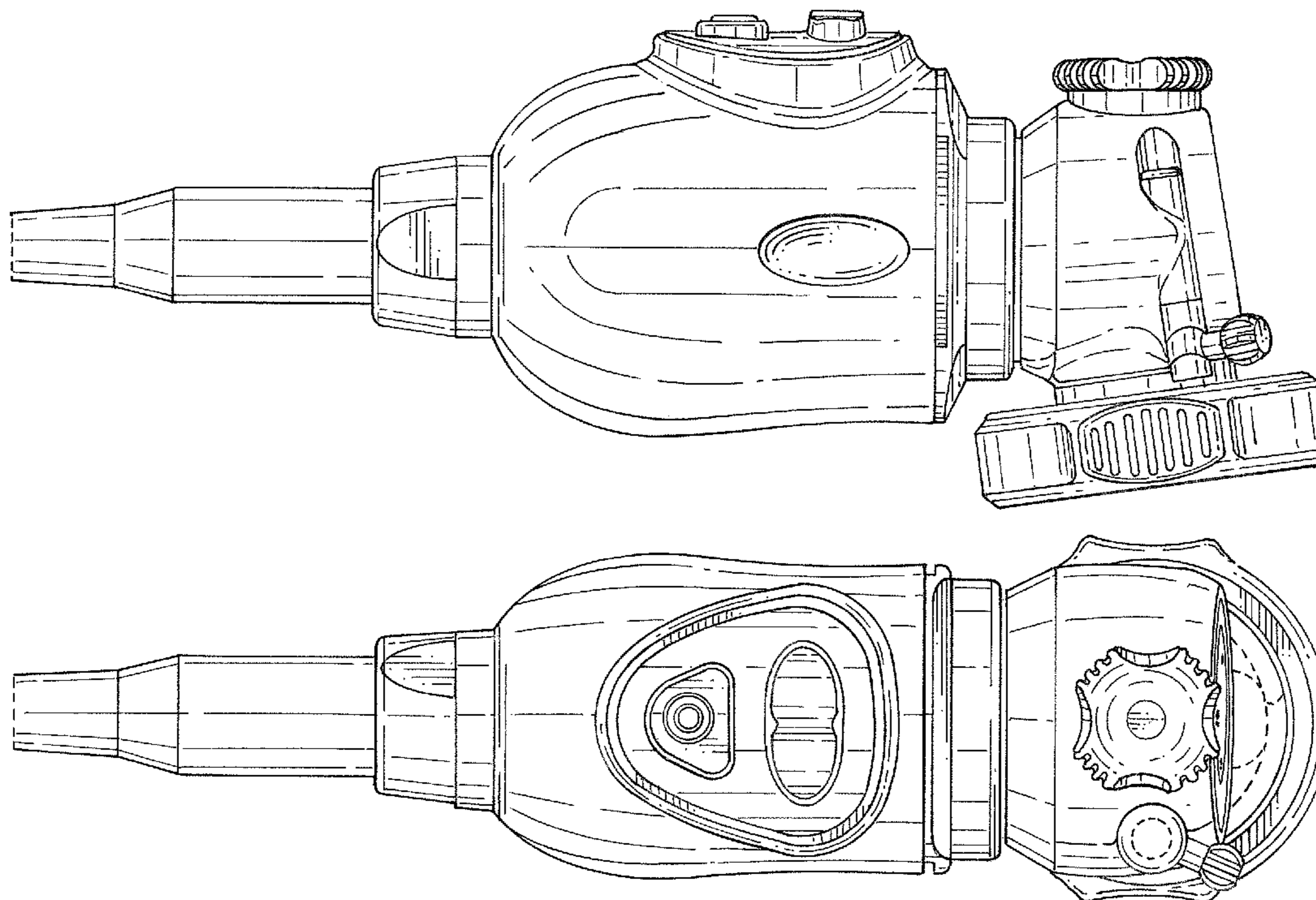
The ornamental design for an endoscopic video camera, as shown and described.

**DESCRIPTION**

FIG. 1 is a left side perspective view of an endoscopic video camera in accordance with the new design; FIG. 2 is a right side elevation view thereof; FIG. 3 is a left side elevation view thereof; FIG. 4 is a top plan view thereof; FIG. 5 is a bottom plan view thereof; FIG. 6 is a front view thereof; and, FIG. 7 is a rear view thereof.

The broken lines immediately adjacent the shaded areas represent the bounds of the claimed design while all other broken lines are directed to environment and are for illustrative purposes only; the broken lines form no part of the claimed design.

**1 Claim, 7 Drawing Sheets**



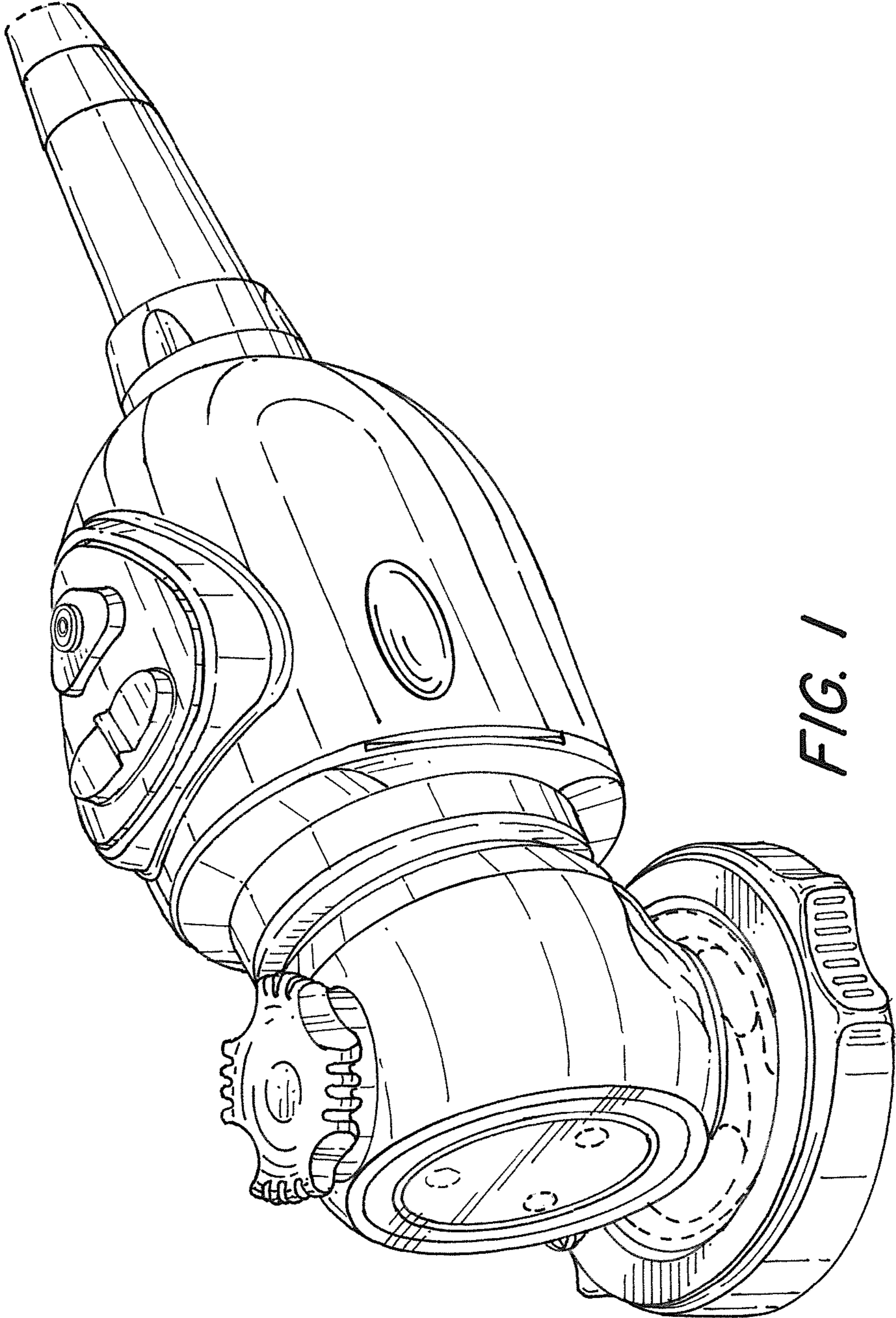


FIG. 1

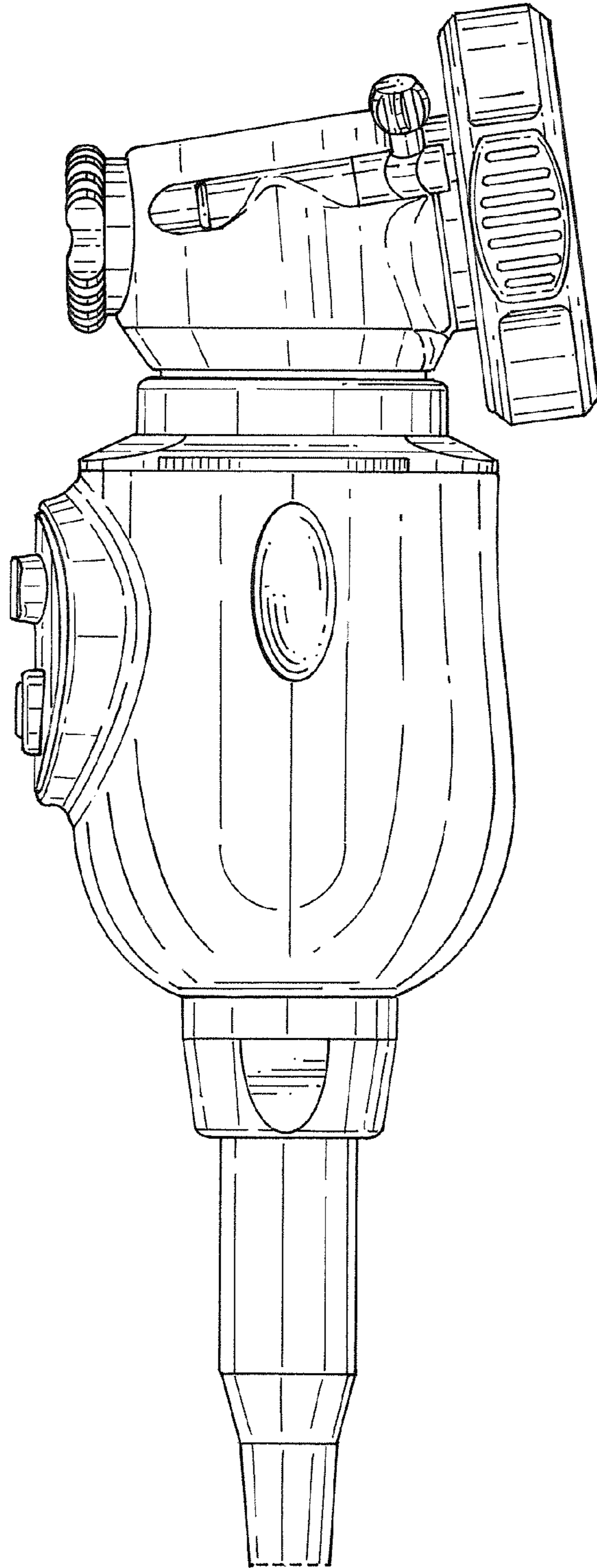


FIG. 2

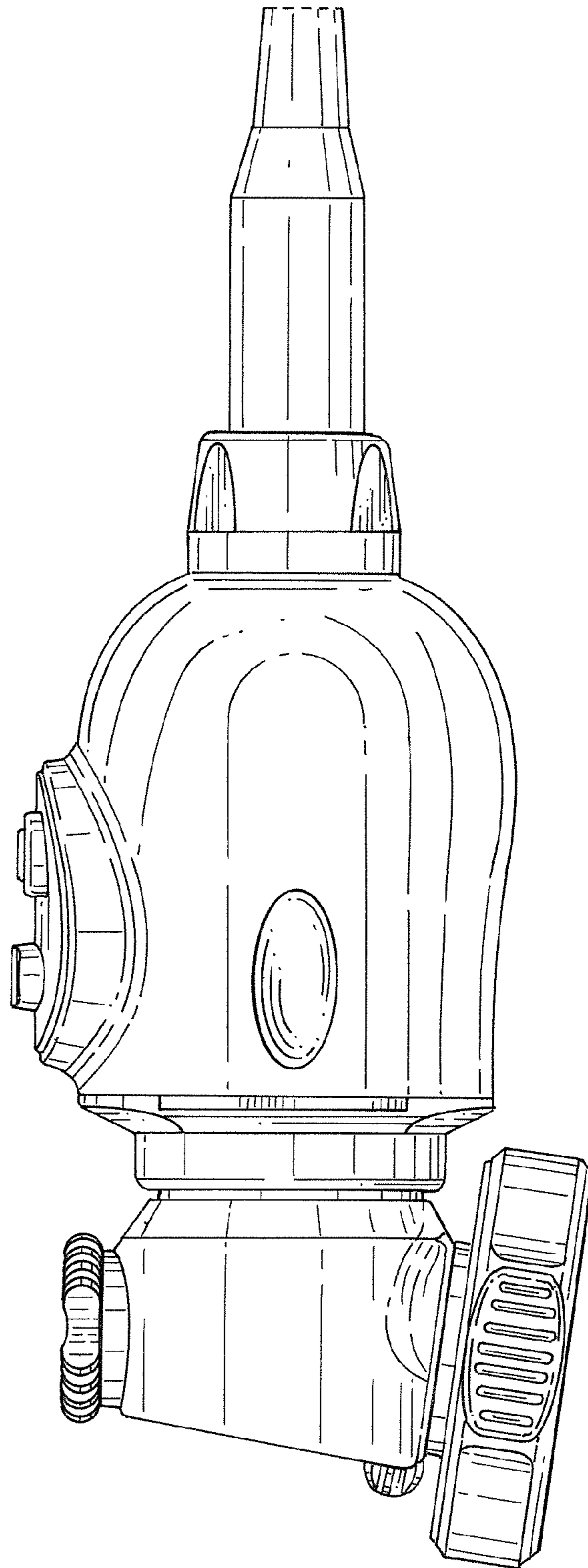


FIG. 3

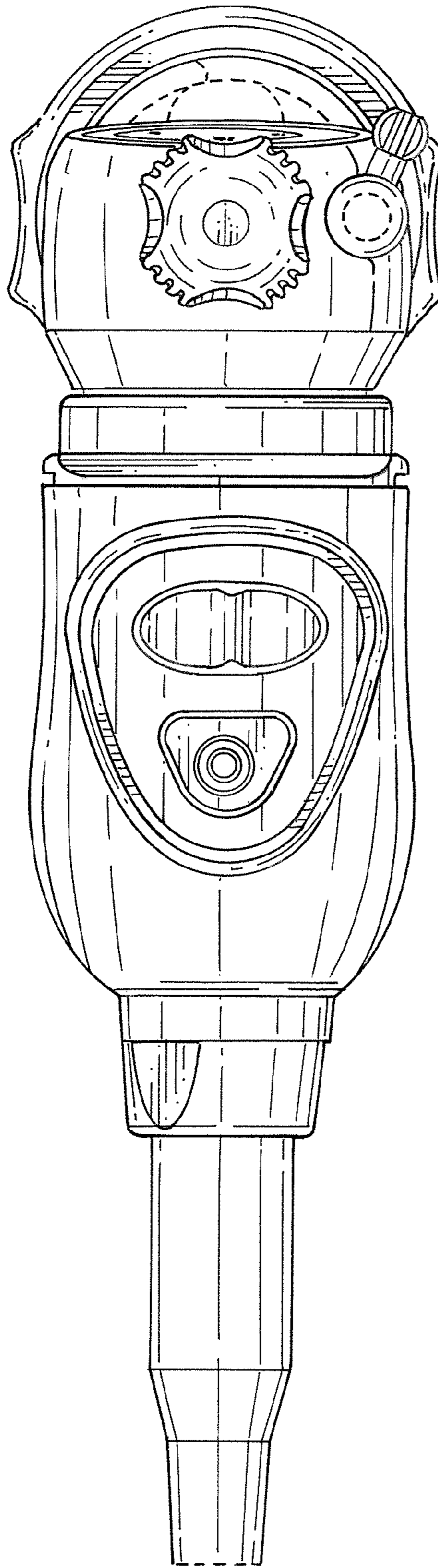
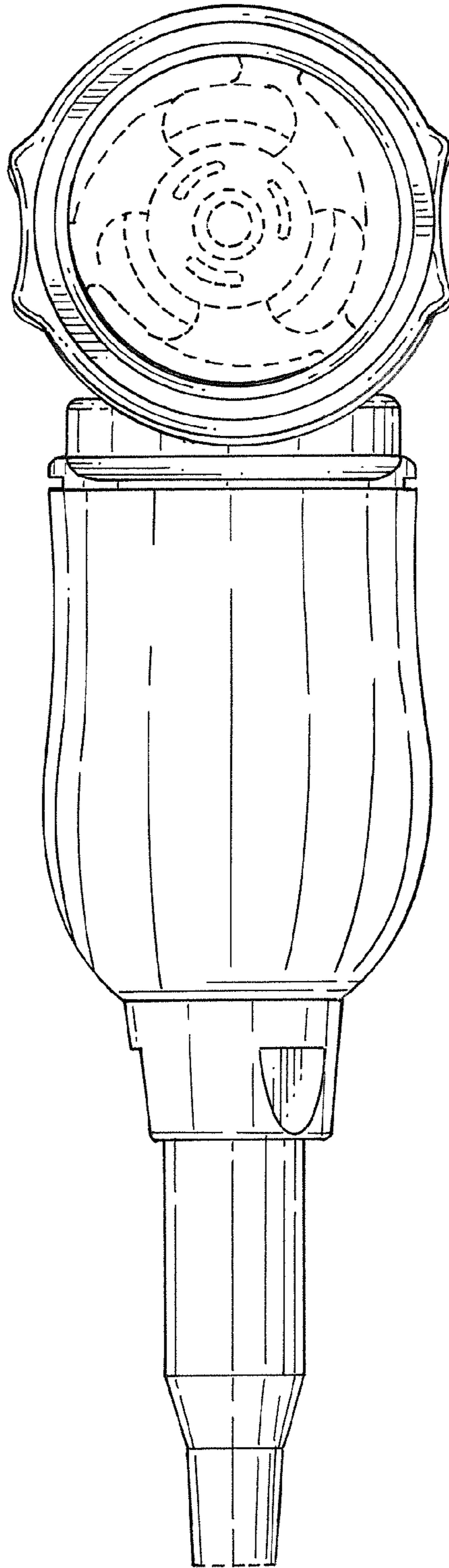
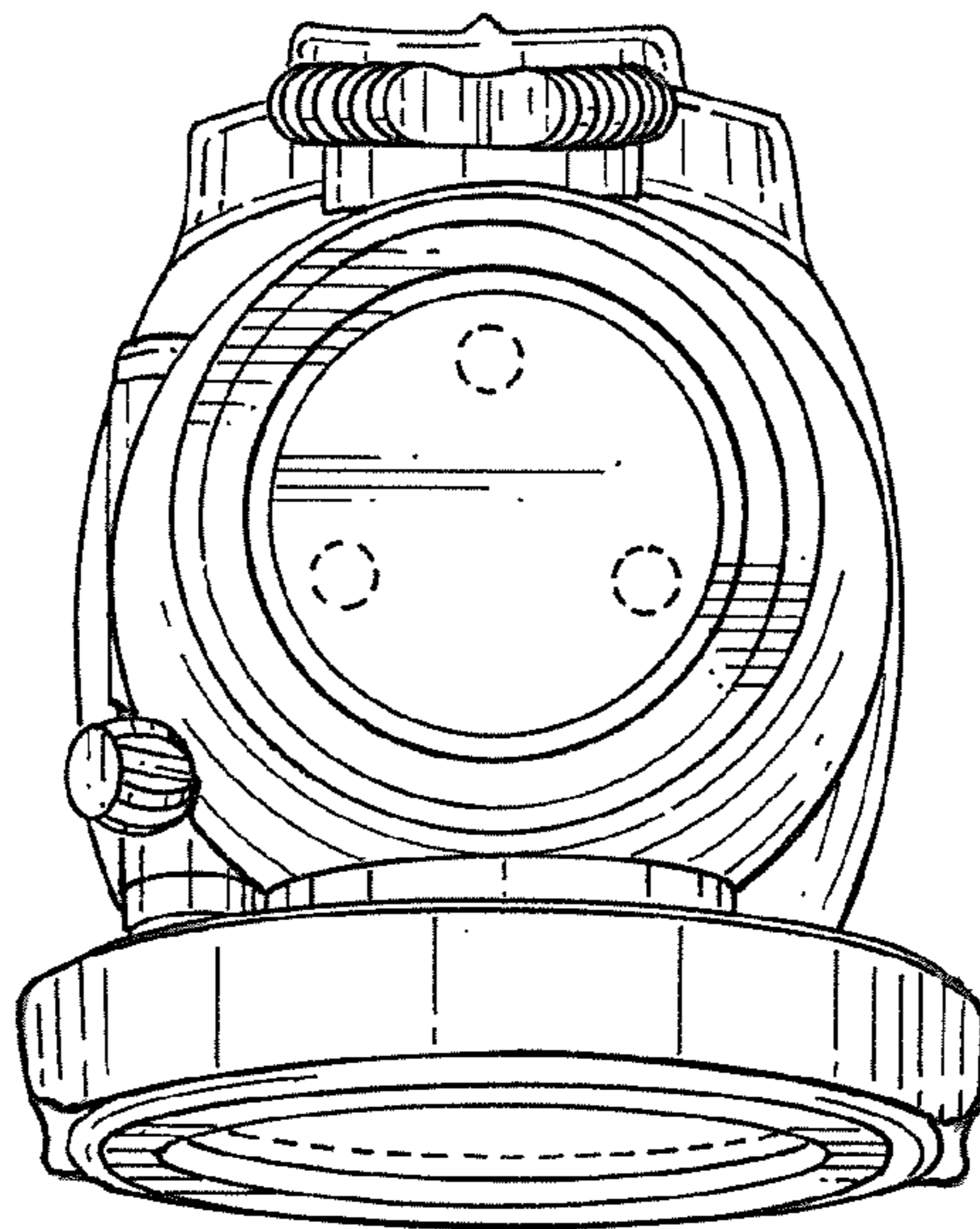


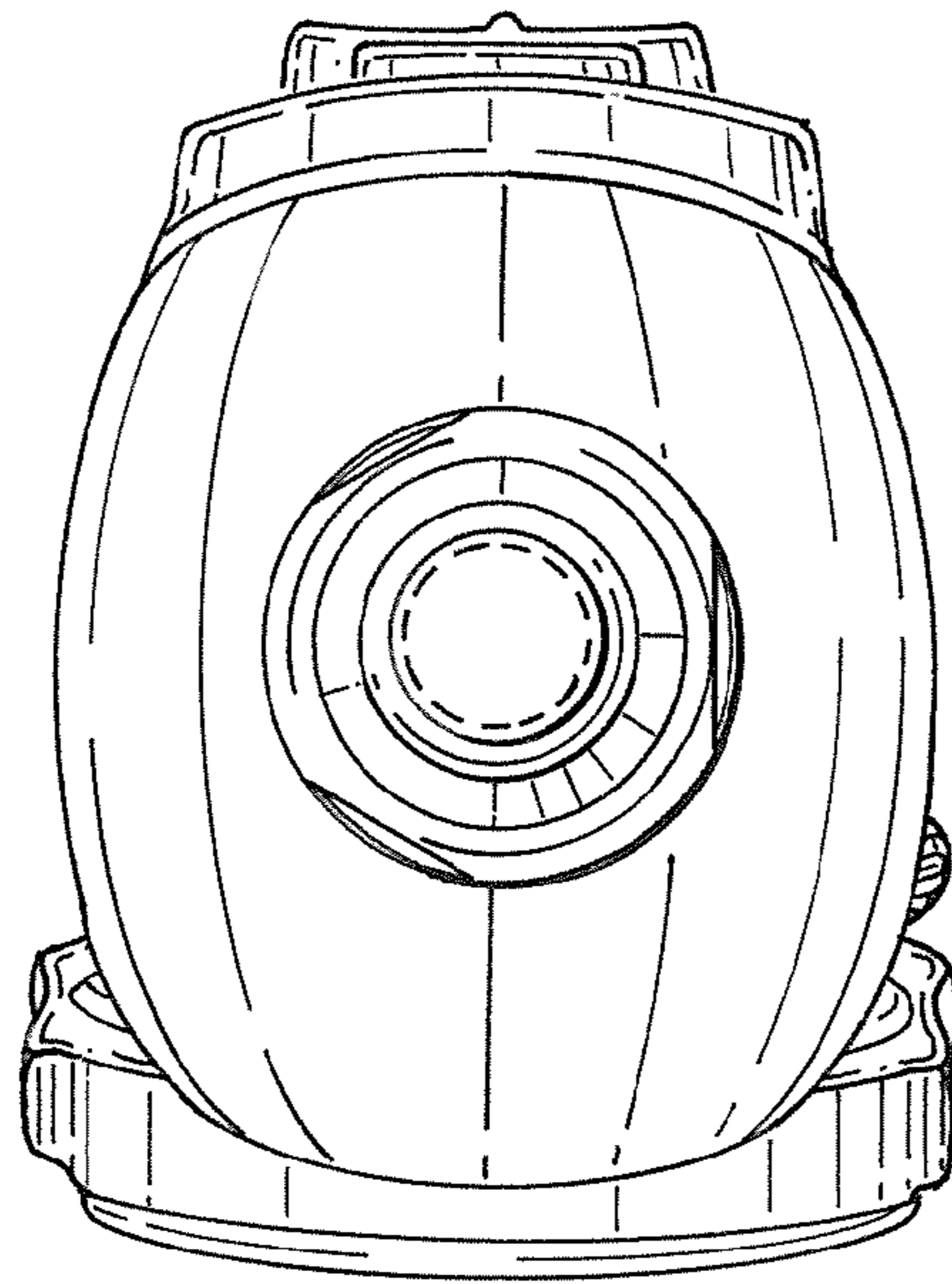
FIG. 4



*FIG. 5*



*FIG. 6*



*FIG. 7*