



US00D643531S

(12) **United States Design Patent**
van der Weiden

(10) **Patent No.:** **US D643,531 S**

(45) **Date of Patent:** **** Aug. 16, 2011**

(54) **SCREWDRIVER FOR RECTOPEXY**

(75) Inventor: **Robertus Matthaeus Felix van der Weiden**, Rotterdam (NL)

(73) Assignee: **Karl Storz GmbH & Co. KG** (DE)

(**) Term: **14 Years**

(21) Appl. No.: **29/378,708**

(22) Filed: **Nov. 8, 2010**

(30) **Foreign Application Priority Data**

May 7, 2010 (EM) 001705849-0020
May 7, 2010 (EM) 001705849-0021
May 7, 2010 (EM) 001705849-0022

(51) **LOC (9) Cl.** **24-02**

(52) **U.S. Cl.** **D24/133**

(58) **Field of Classification Search** D24/133,
D24/135, 145, 146, 147, 152; 606/86 A,
606/104, 130, 232, 233, 264, 916
See application file for complete search history.

(56) **References Cited**

U.S. PATENT DOCUMENTS

D32,876 S * 6/1900 Ward D8/19
D163,282 S * 5/1951 Heschel D8/14
D248,241 S * 6/1978 Woods D24/133
4,350,151 A * 9/1982 Scott 600/225
D270,944 S * 10/1983 Hostetler D24/130
6,267,767 B1 * 7/2001 Strobel et al. 606/104
6,902,573 B2 * 6/2005 Strobel et al. 606/232
D585,547 S * 1/2009 Bisleri D24/135
D605,757 S * 12/2009 Sawyer D24/130
D622,382 S * 8/2010 Richter et al. D24/135
2002/0120275 A1 * 8/2002 Schmieding et al. 606/104
2004/0147928 A1 * 7/2004 Landry et al. 606/61

OTHER PUBLICATIONS

Covidien Advertising Literature; Online Brochures found at: <http://www.covidien.com/imageServer.aspx/doc193970.pdf?contentID=16523> & <http://www.covidien.com/imageServer.aspx/doc193971.pdf?contentID=>

16524&contentType=application/pdf; <http://www.covidien.com/her-nia/us/pages.aspx?page=Catalog/Fixation/167356> (© 2009) Covidien. All right reserved; 8 pages.

* cited by examiner

Primary Examiner — Bridget L Eland

(74) *Attorney, Agent, or Firm* — St. Onge Steward Johnston & Reens LLC

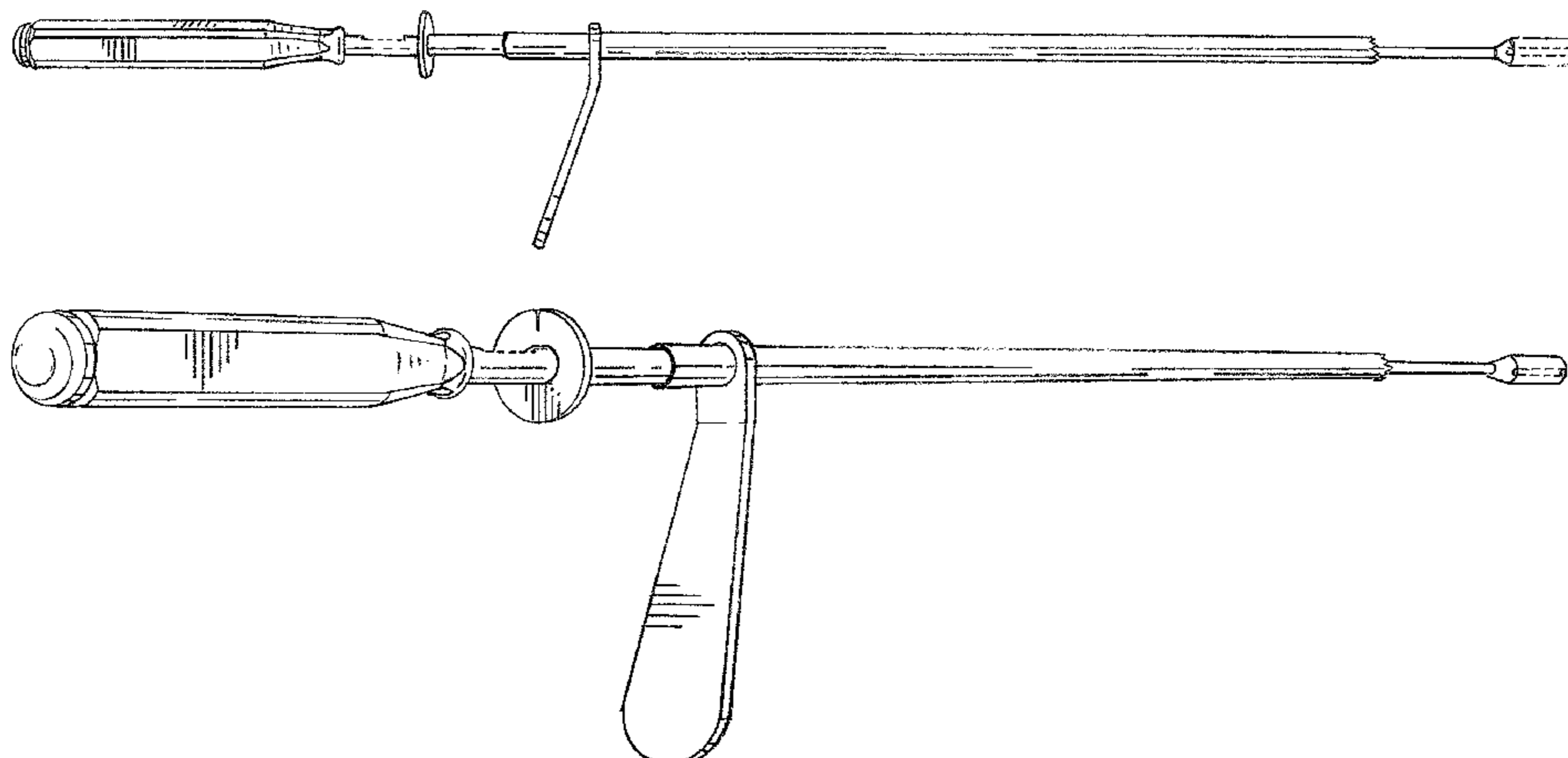
(57) **CLAIM**

The ornamental design for a screwdriver for rectopexy, as shown and described.

DESCRIPTION

FIG. 1 is a bottom left perspective view of a screwdriver for rectopexy in accordance with the new design; FIG. 2 is a left side isometric view thereof; FIG. 3 is a right side isometric view thereof; FIG. 4 is a bottom isometric view thereof; FIG. 5 is a top isometric view thereof; FIG. 6 is a rear right side isometric view thereof; FIG. 7 is a front right side isometric view thereof; FIG. 8 is a top perspective view of the screwdriver for rectopexy of FIG. 1, with an outer sleeve omitted to show aspects of the design that are not apparent in the other views; FIG. 9 is a top isometric view thereof; FIG. 10 is a bottom isometric view thereof; FIG. 11 is a right side isometric view thereof; FIG. 12 is a left side isometric view thereof; FIG. 13 is a front right side isometric view thereof; FIG. 14 is a rear right side isometric view thereof; FIG. 15 is a bottom left perspective view of the outer sleeve of the screwdriver for rectopexy of FIG. 1, with the other parts omitted for ease of illustration; FIG. 16 is a left side isometric view thereof; FIG. 17 is a right side isometric view thereof; FIG. 18 is a top isometric view thereof; FIG. 19 is a bottom isometric view thereof; and, FIG. 20 is a rear right side isometric view thereof. The broken lines shown in FIGS. 1-14 and 20 represent the boundaries of the claimed design, with the lines themselves and the areas within them forming no part of the claimed design.

1 Claim, 20 Drawing Sheets



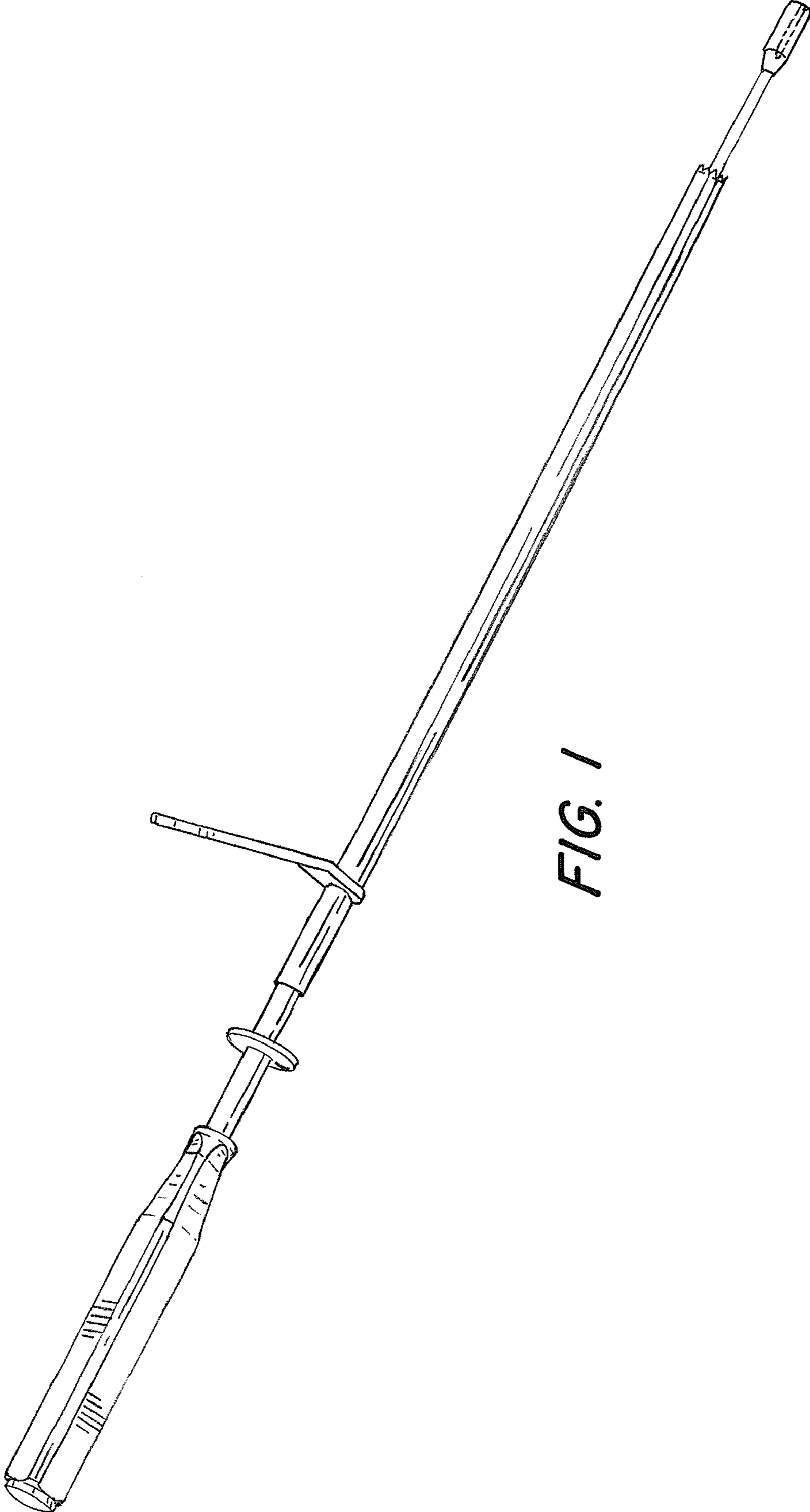


FIG. 1

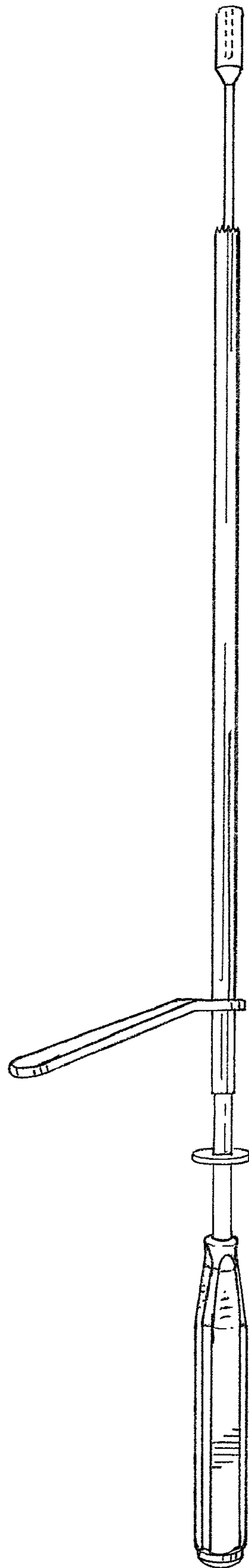


FIG. 2

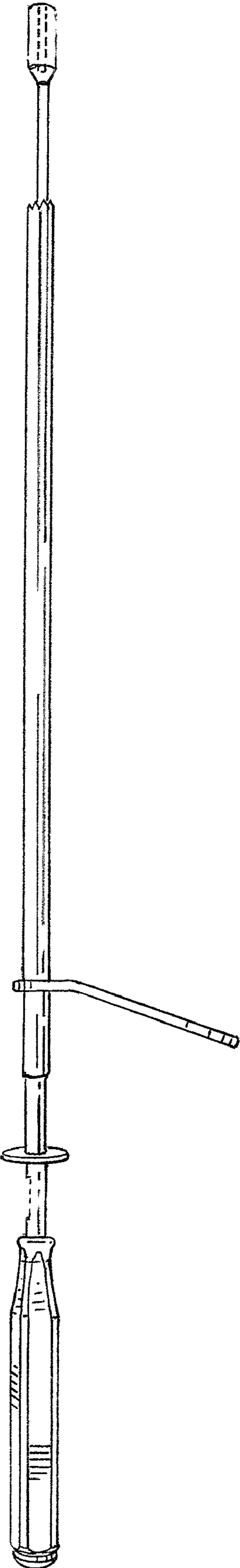


FIG. 3

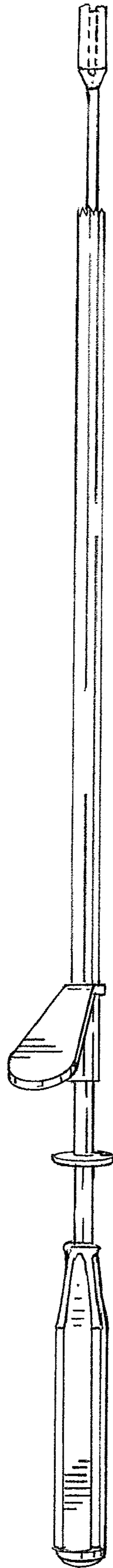


FIG. 4

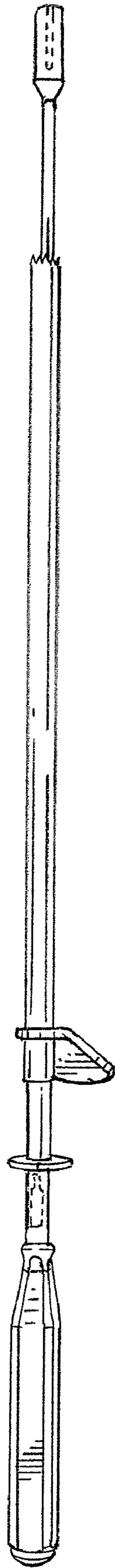


FIG. 5

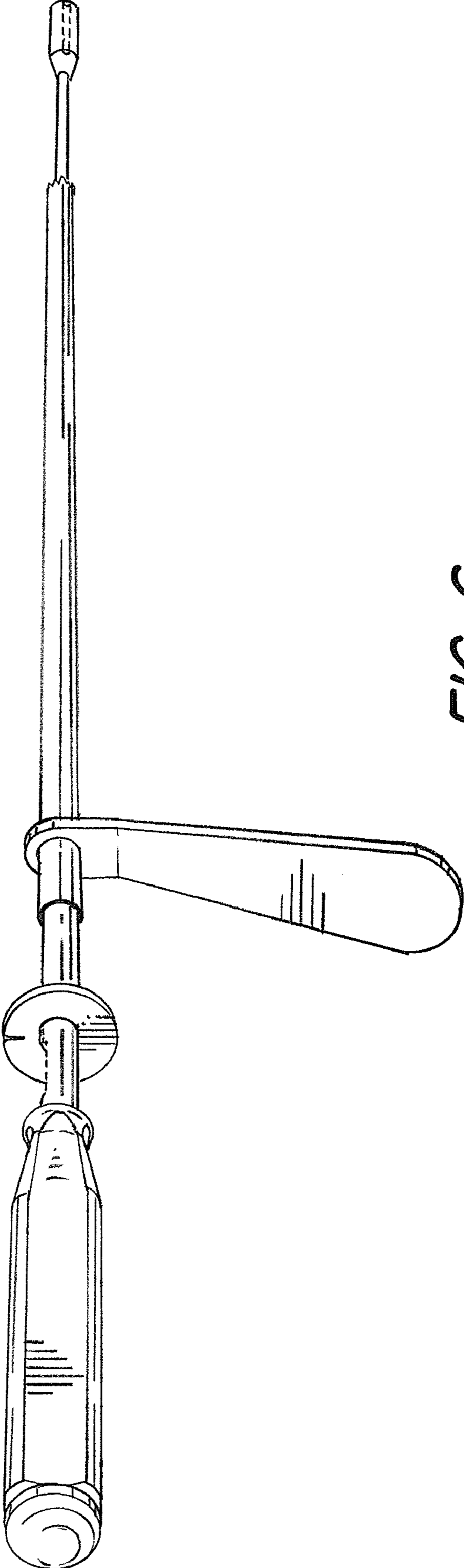


FIG. 6

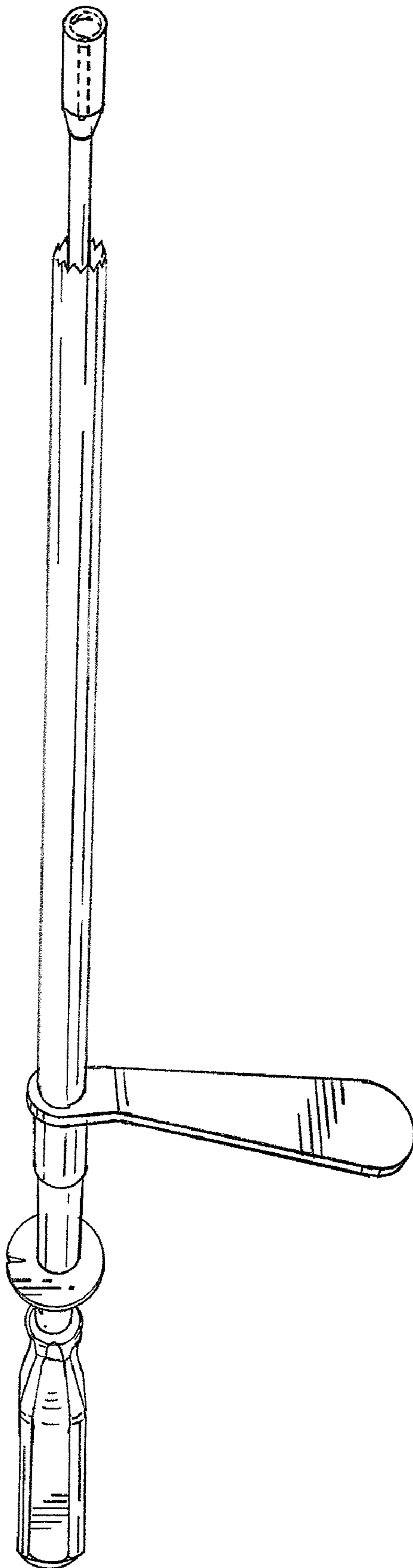


FIG. 7

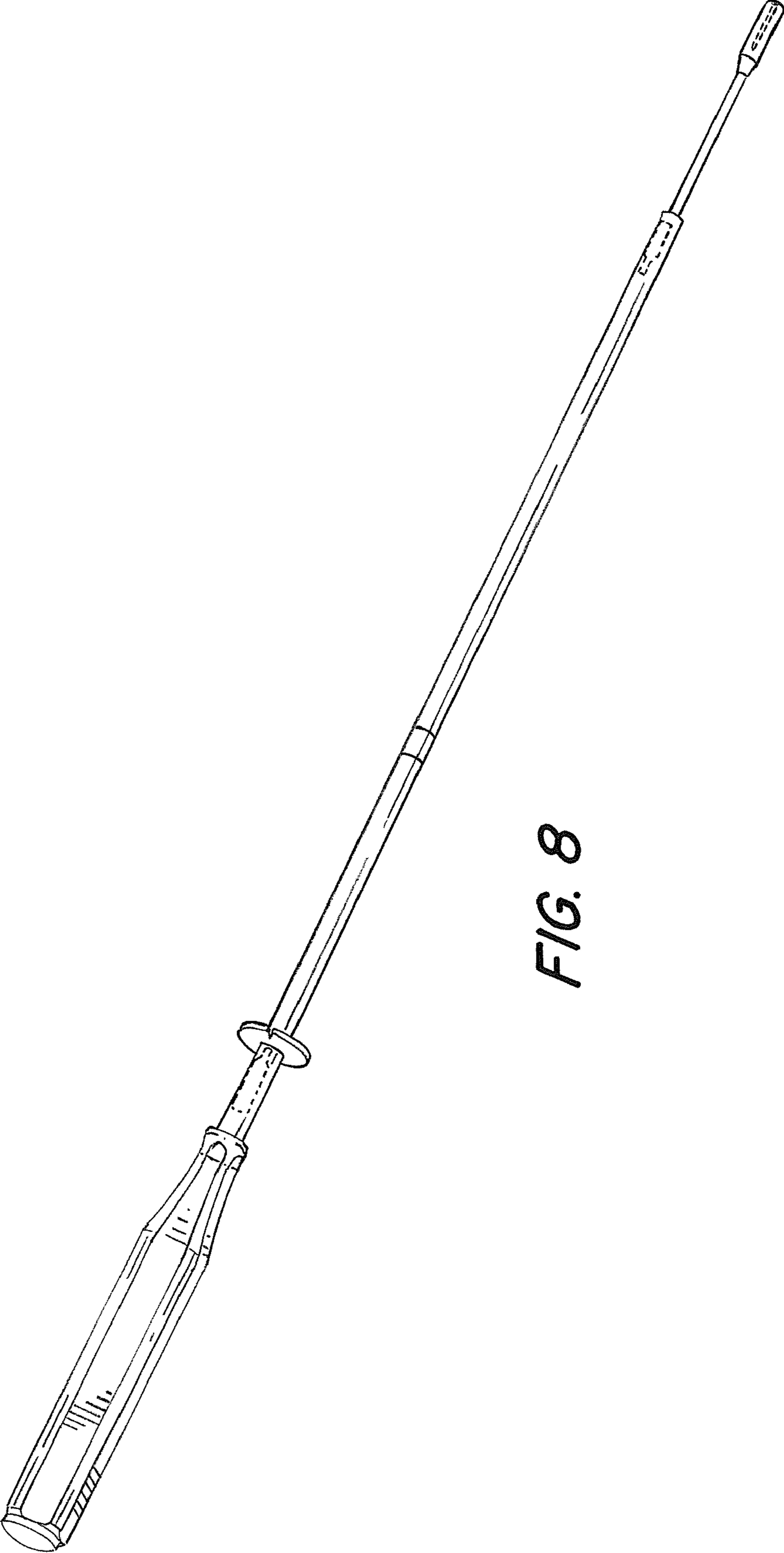


FIG. 8



FIG. 9

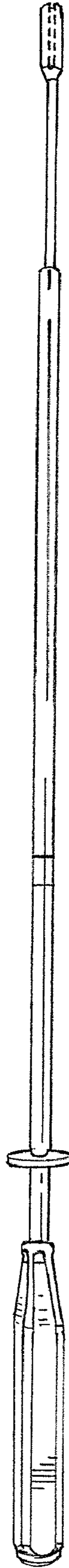


FIG. 10



FIG. 11



FIG. 12

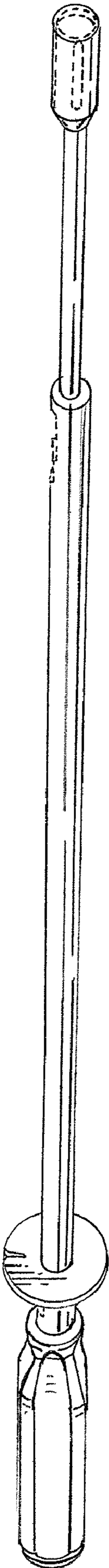


FIG. 13

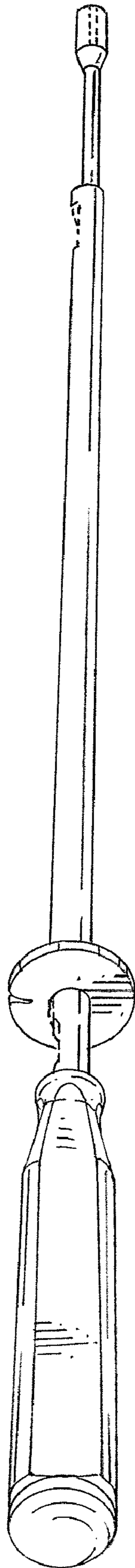


FIG. 14

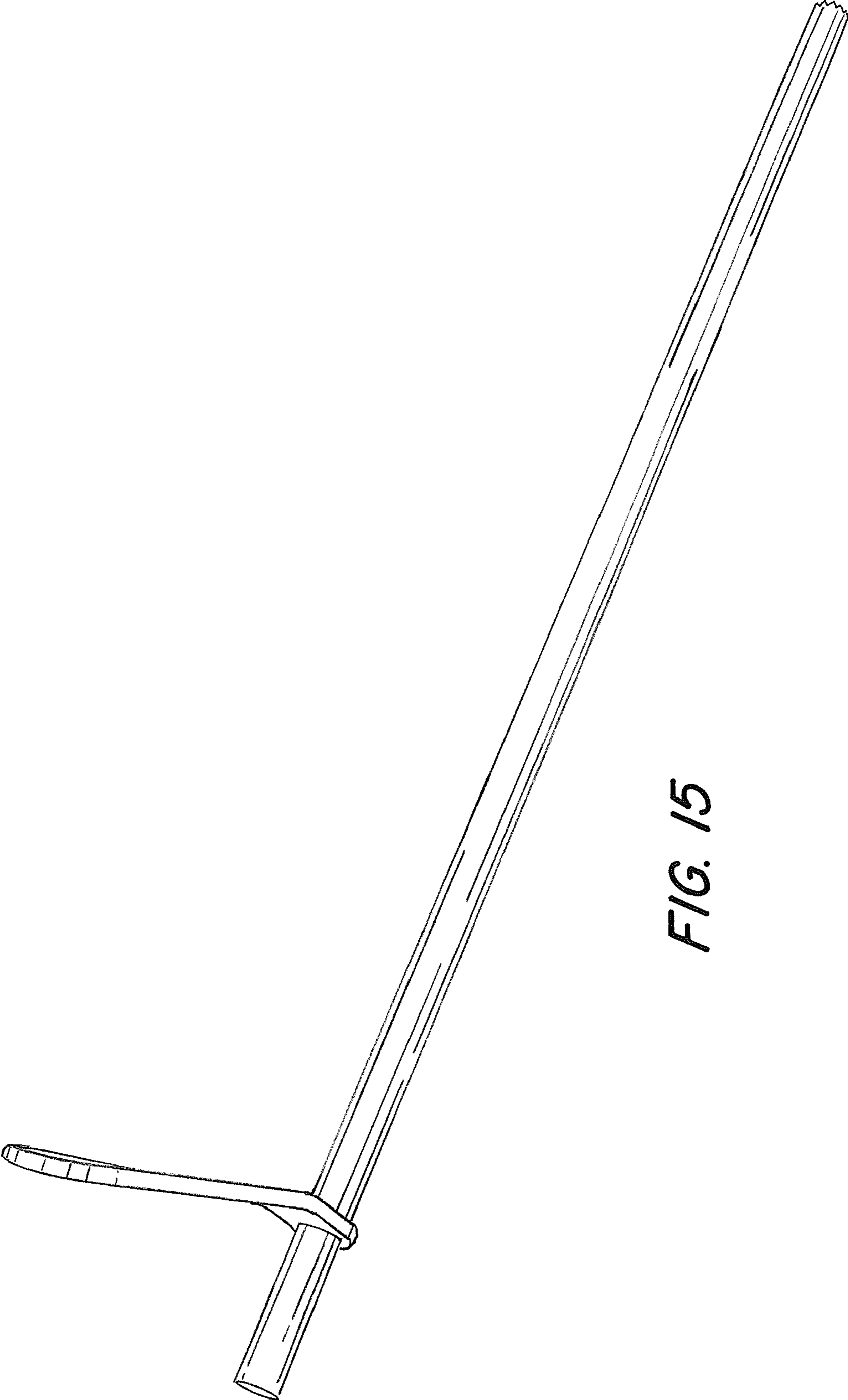


FIG. 15

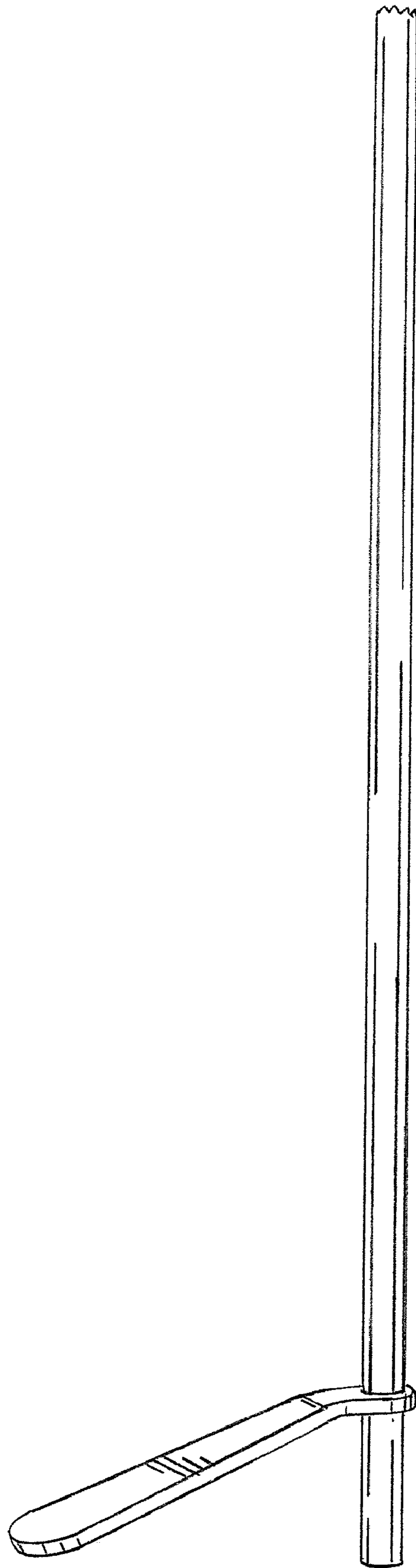


FIG. 16

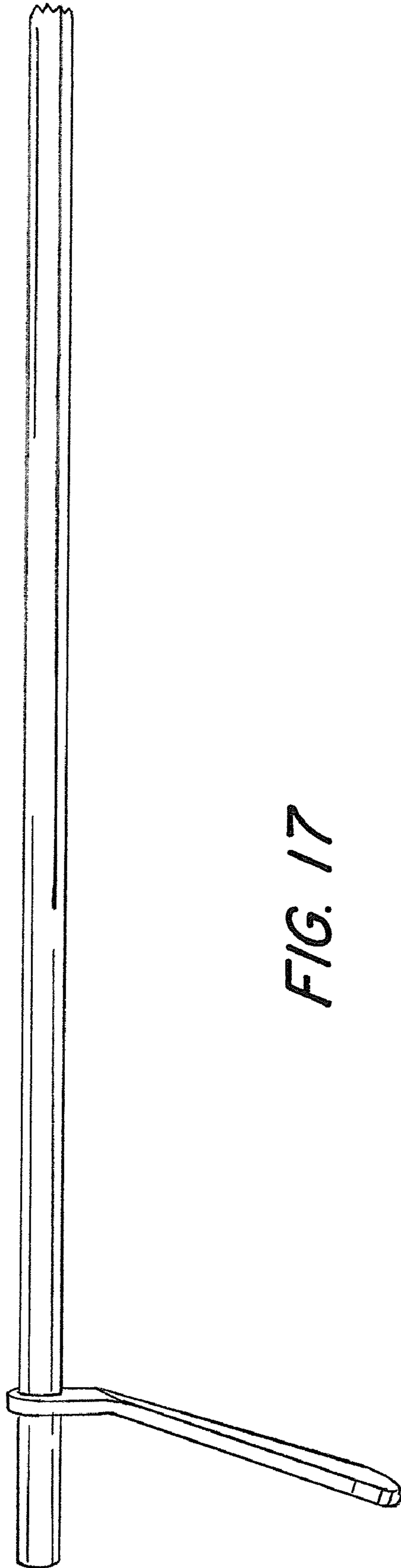


FIG. 17

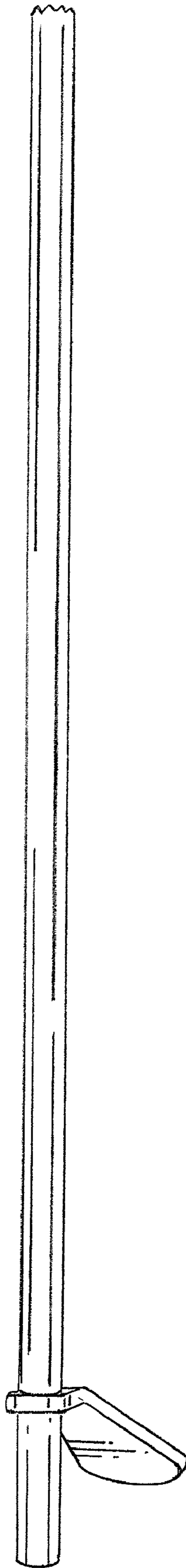


FIG. 18

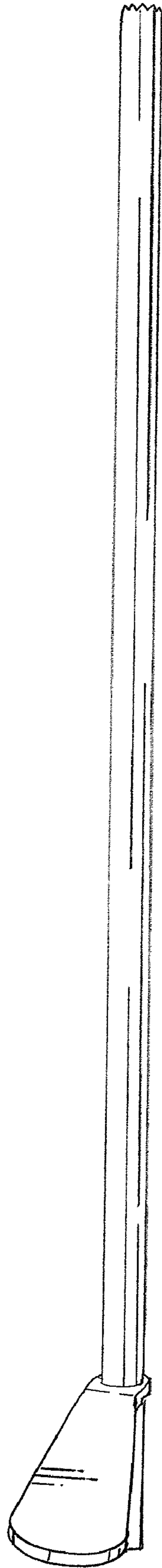


FIG. 19

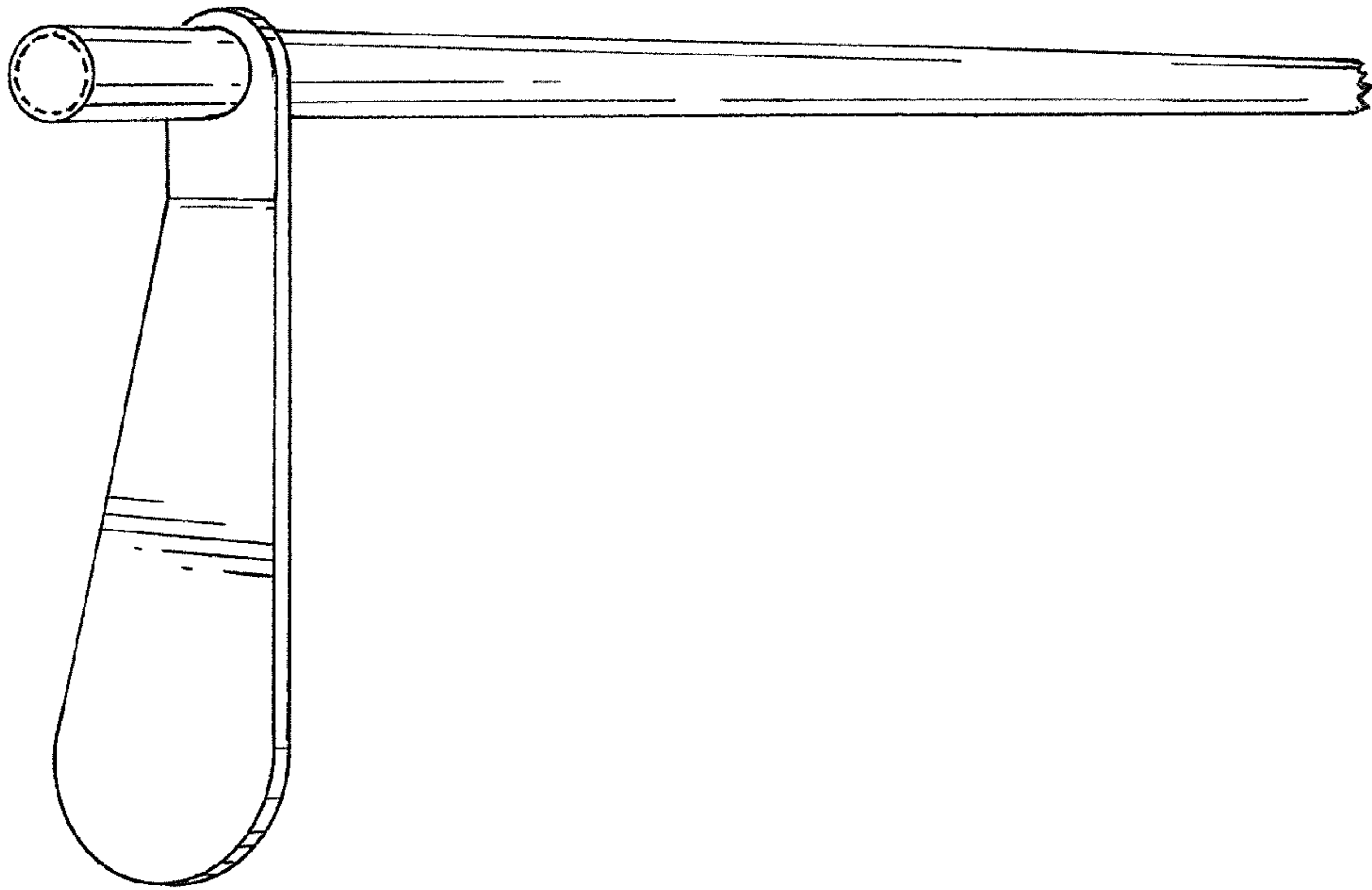


FIG. 20