



US00D643520S

(12) **United States Design Patent**
Choi

(10) **Patent No.:** **US D643,520 S**

(45) **Date of Patent:** **** Aug. 16, 2011**

(54) **AIR PURIFIER**

(75) Inventor: **Hun Jung Choi**, Seoul (KR)

(73) Assignee: **Woongjin Coway Co., Ltd.**,
Choongcheongnam-Do (KR)

(**) Term: **14 Years**

(21) Appl. No.: **29/385,884**

(22) Filed: **Feb. 22, 2011**

(30) **Foreign Application Priority Data**

Aug. 26, 2010 (KR) 30-2010-0037364

(51) **LOC (9) Cl.** **23-04**

(52) **U.S. Cl.** **D23/364**

(58) **Field of Classification Search** D23/355-366,
D23/352, 369, 332, 333, 335, 336, 342, 351;
422/120, 122; 55/356, 473, 504; 96/97;
D14/188, 170, 172; 261/DIG. 17, DIG. 65,
261/DIG. 88, DIG. 31; D18/34.6

See application file for complete search history.

(56) **References Cited**

U.S. PATENT DOCUMENTS

D521,135 S *	5/2006	Kita	D23/364
D564,645 S *	3/2008	Shapiro	D23/332
D583,450 S *	12/2008	Choi	D23/364
D586,451 S *	2/2009	Murai	D23/364
D594,948 S *	6/2009	Lewis	D23/332

D595,825 S *	7/2009	Ohta et al.	D23/364
D599,456 S *	9/2009	Choi	D23/364
D603,497 S *	11/2009	Choi	D23/364
D605,272 S *	12/2009	Chun et al.	D23/359
D607,551 S *	1/2010	Catrino	D23/332
D608,433 S *	1/2010	Murai et al.	D23/364
D608,434 S *	1/2010	Niki	D23/364
D613,386 S	4/2010	Niki et al.		
D625,398 S	10/2010	Choi		
D634,828 S *	3/2011	Nakamura	D23/355

* cited by examiner

Primary Examiner — David Muller

(74) *Attorney, Agent, or Firm* — McDermott Will & Emery LLP

(57) **CLAIM**

The ornamental design for an air purifier, as shown and described.

DESCRIPTION

FIG. 1 is a perspective view of an air purifier showing my new design

FIG. 2 is a front view thereof

FIG. 3 is a rear view thereof

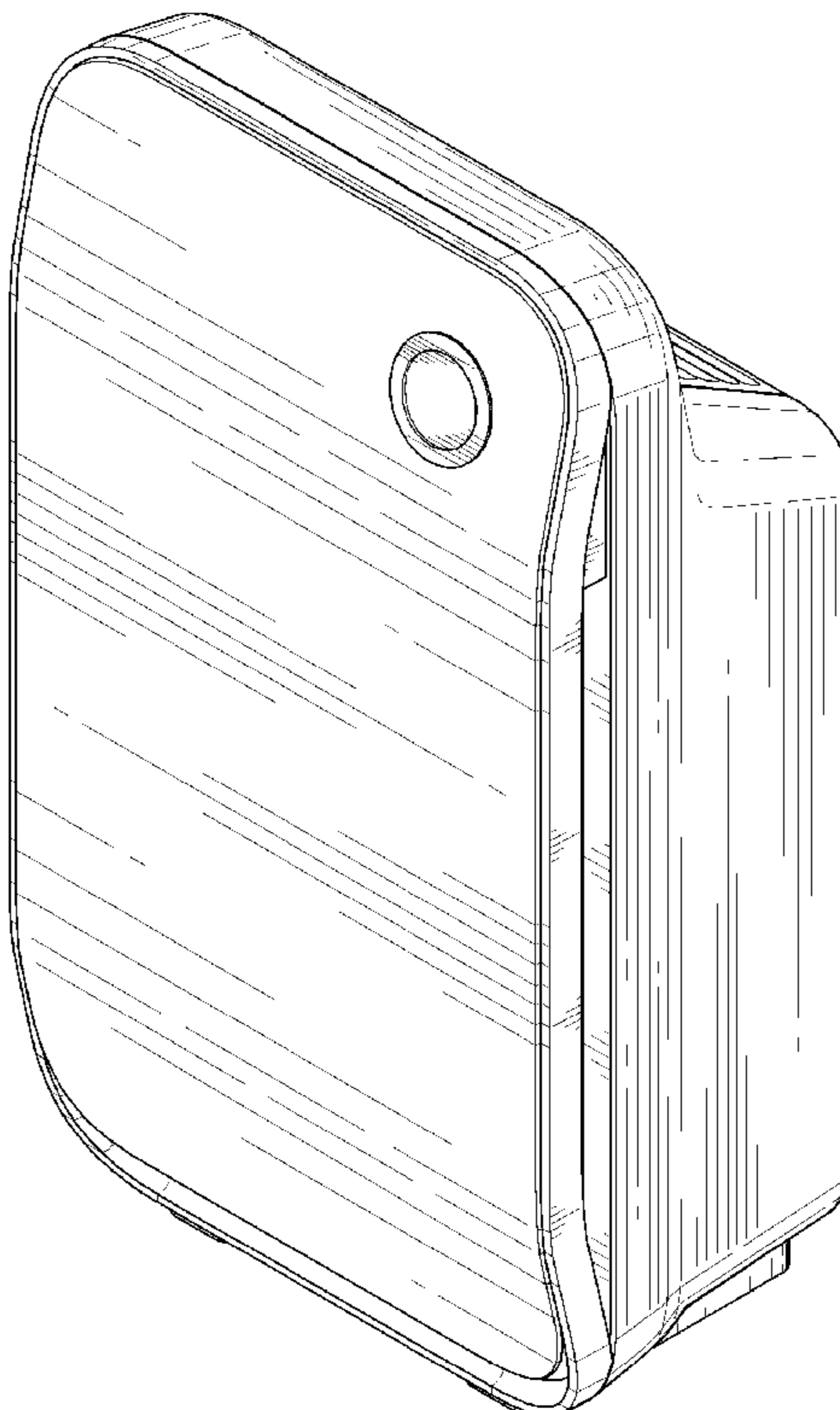
FIG. 4 is a left side view thereof, the right side view being a mirror image;

FIG. 5 is a top plan view thereof; and,

FIG. 6 is a bottom view thereof.

The broken line showing of parts of the drawings is included for the purpose of illustrating use and environment and forms no part of the claimed design.

1 Claim, 5 Drawing Sheets



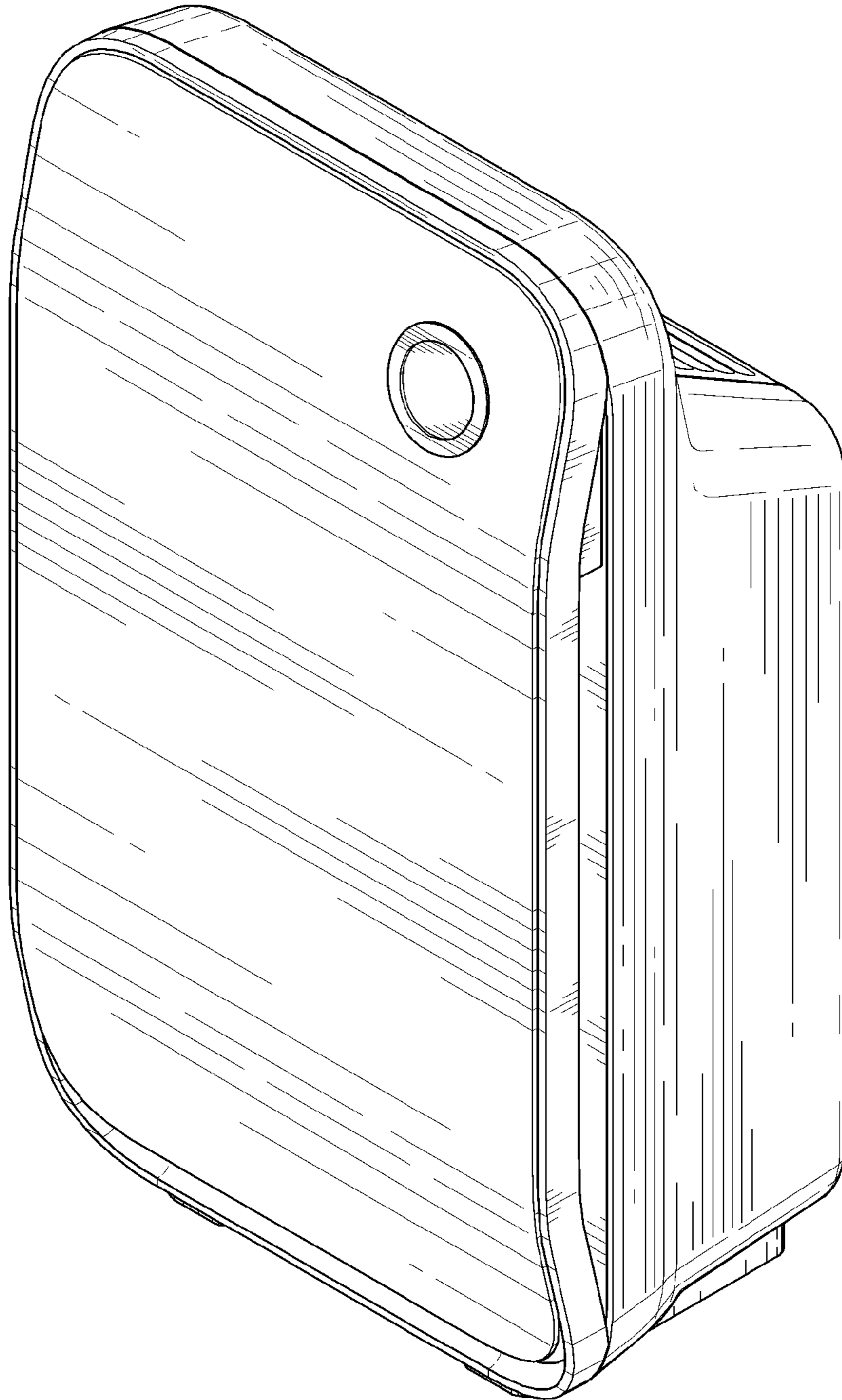


FIG. 1

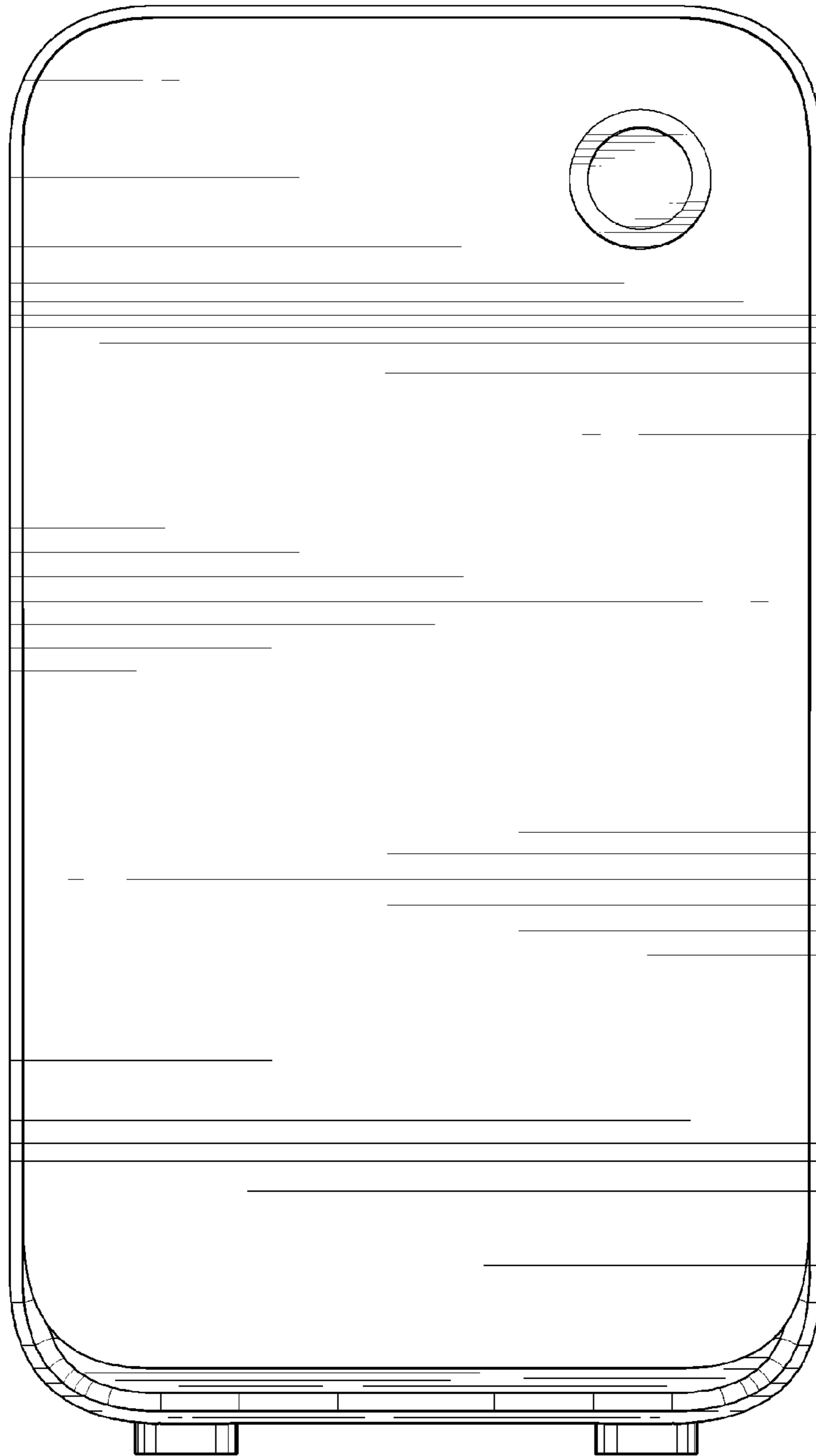


FIG. 2

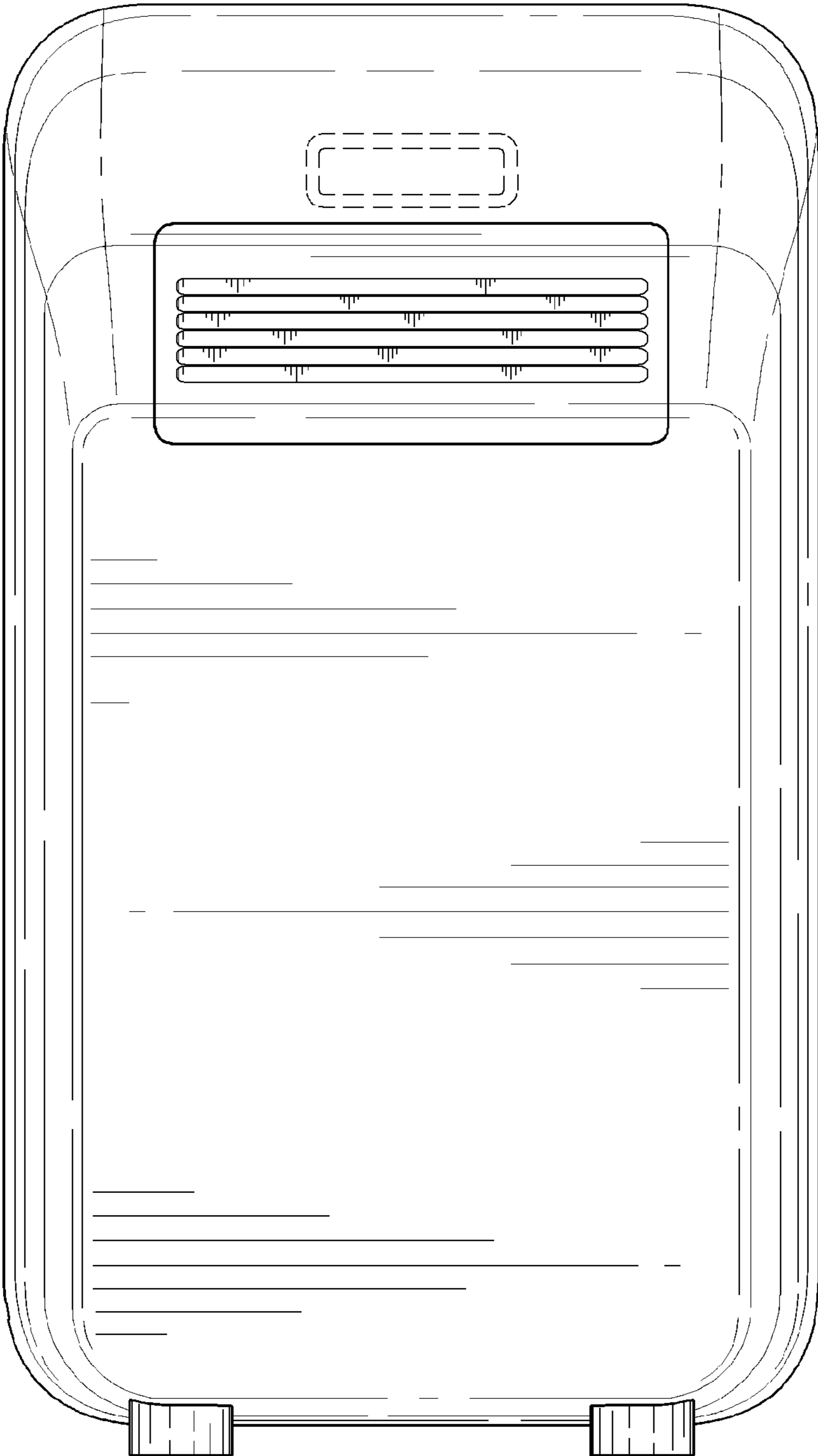


FIG. 3

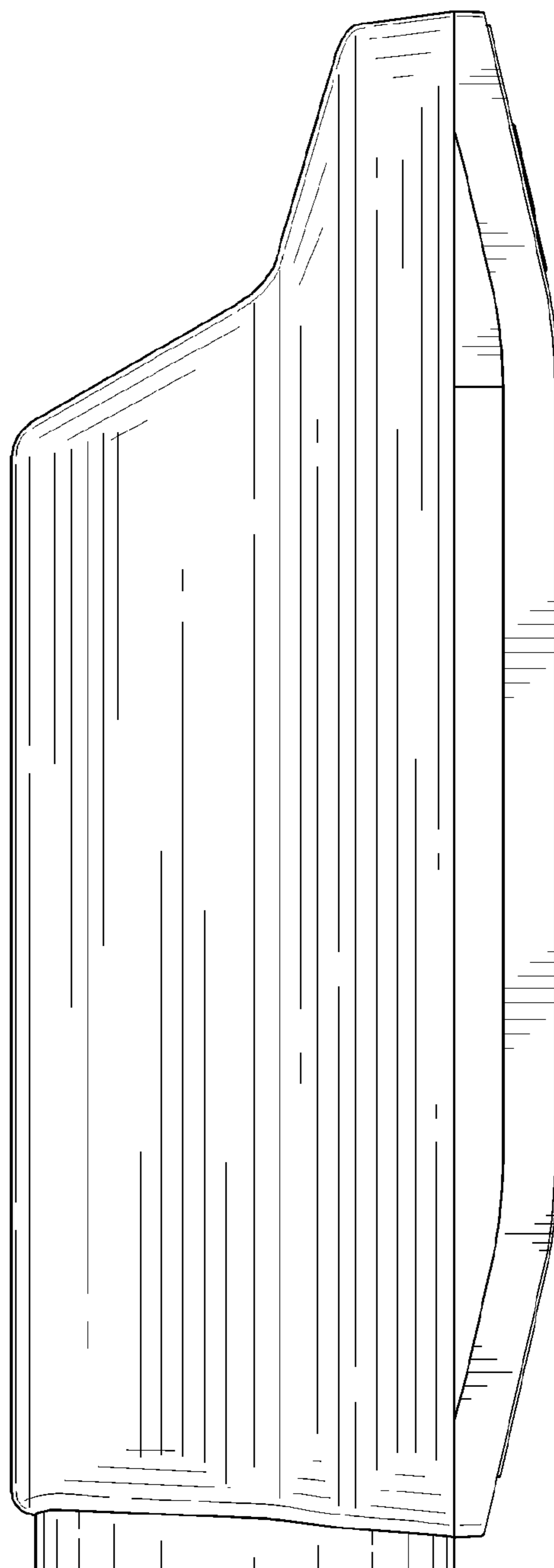


FIG. 4

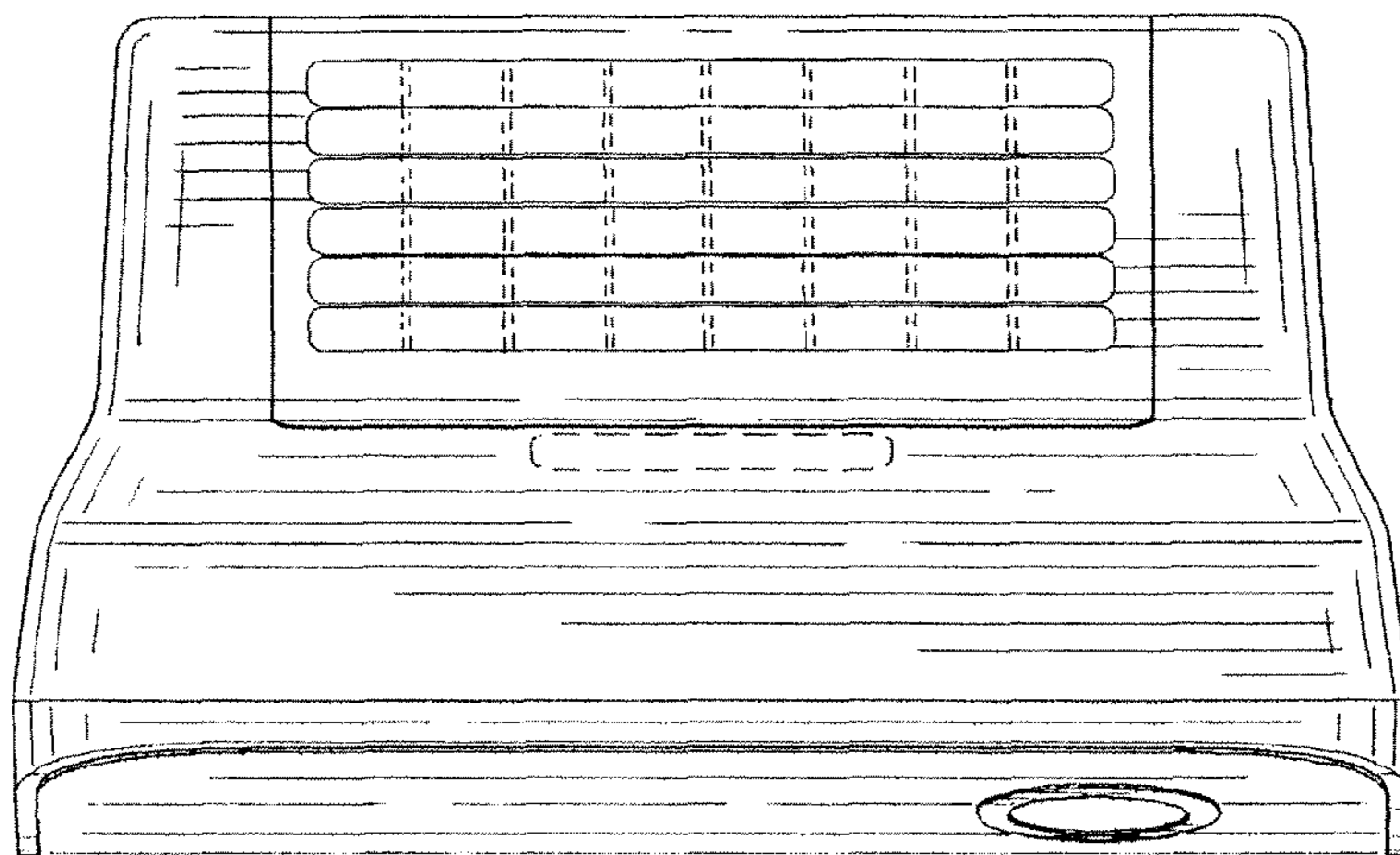


FIG. 5

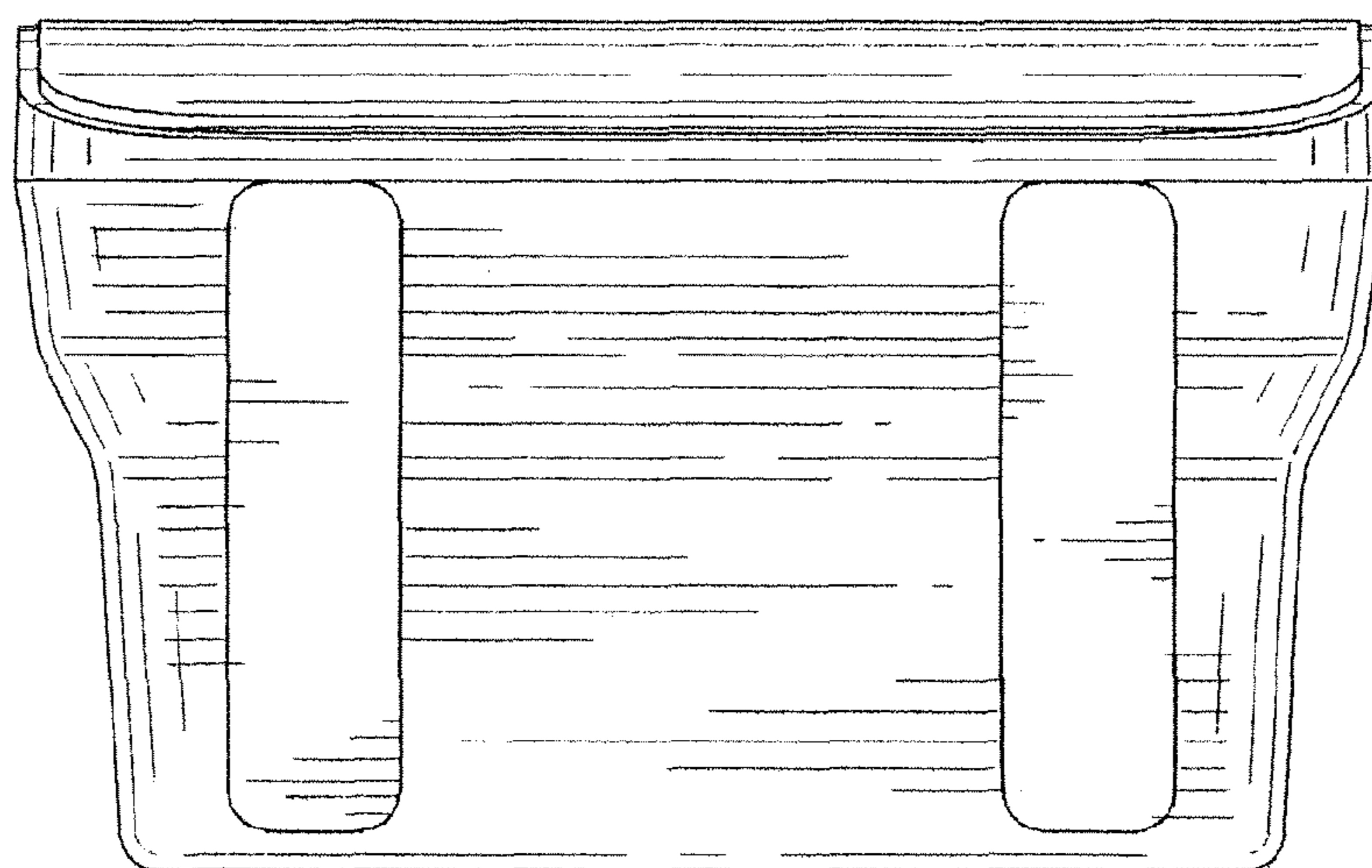


FIG. 6