



US00D643515S

(12) **United States Design Patent**
Hanna

(10) **Patent No.:** **US D643,515 S**

(45) **Date of Patent:** **** *Aug. 16, 2011**

(54) **SPOUT**

(75) Inventor: **Ken S. Hanna**, Adell, WI (US)

(73) Assignee: **Kohler Co.**, Kohler, WI (US)

(**) Term: **14 Years**

(21) Appl. No.: **29/356,679**

(22) Filed: **Mar. 1, 2010**

(51) **LOC (9) Cl.** **23-01**

(52) **U.S. Cl.** **D23/255**

(58) **Field of Classification Search** D23/238,
D23/241-242, 255, 257, 249; 4/675-678;
137/801

See application file for complete search history.

(56) **References Cited**

U.S. PATENT DOCUMENTS

D472,615 S	*	4/2003	Smith	D23/255
D489,119 S	*	4/2004	Ouyoung	D23/242
D534,996 S		1/2007	Wang		
D581,029 S	*	11/2008	Gilbert	D23/255

FOREIGN PATENT DOCUMENTS

EM 000532932-0005 4/2006

OTHER PUBLICATIONS

Danze. "Sirius Single Handle Wall Mount Lavatory Faucet". Model No. D201644. HomePortfolio.com online catalog. Copyright 1997-2008 HomePortfolio Inc.

Dornbracht. "Symetrics". Dornbracht online catalog.

THG. "Niagara Widespread Lavatory Faucet". HomePortfolio.com online catalog. Copyright 1997-2008 HomePortfolio Inc.

Zucchetti Aguablu. "Zut.za5432 ws".

Santekhnika magazine, No. 6(31) (2004).

Santekhnika magazine, No. 4(52) (2008).

Danze, "Sirius Single Handle Wall Mount Lavatory Faucet". Model No. D201644, HomePortfolio.com online catalog. Copyright 1997-2008 HomePortfolio Inc.

Dornbracht. "Symetrics". Dornbracht online catalog. Admitted prior art.

THG. "Niagara Widespread Lavatory Faucet" HomePortfolio.com online catalog. Copyright 1997-2008 HomePortfolio Inc.

Zucchetti Aguablu. "Zut.az5432 ws" Admitted prior art.

* cited by examiner

Primary Examiner — Robert A Delehanty

(74) *Attorney, Agent, or Firm* — Quarles & Brady LLP

(57) **CLAIM**

The ornamental design for a spout, as shown and described.

DESCRIPTION

FIG. 1 is a left, top, front perspective view of a spout according to my new design;

FIG. 2 is a left side elevational view thereof, the right side elevational view thereof being a mirror image of the left side shown;

FIG. 3 is a front elevational view thereof;

FIG. 4 is a top plan view thereof;

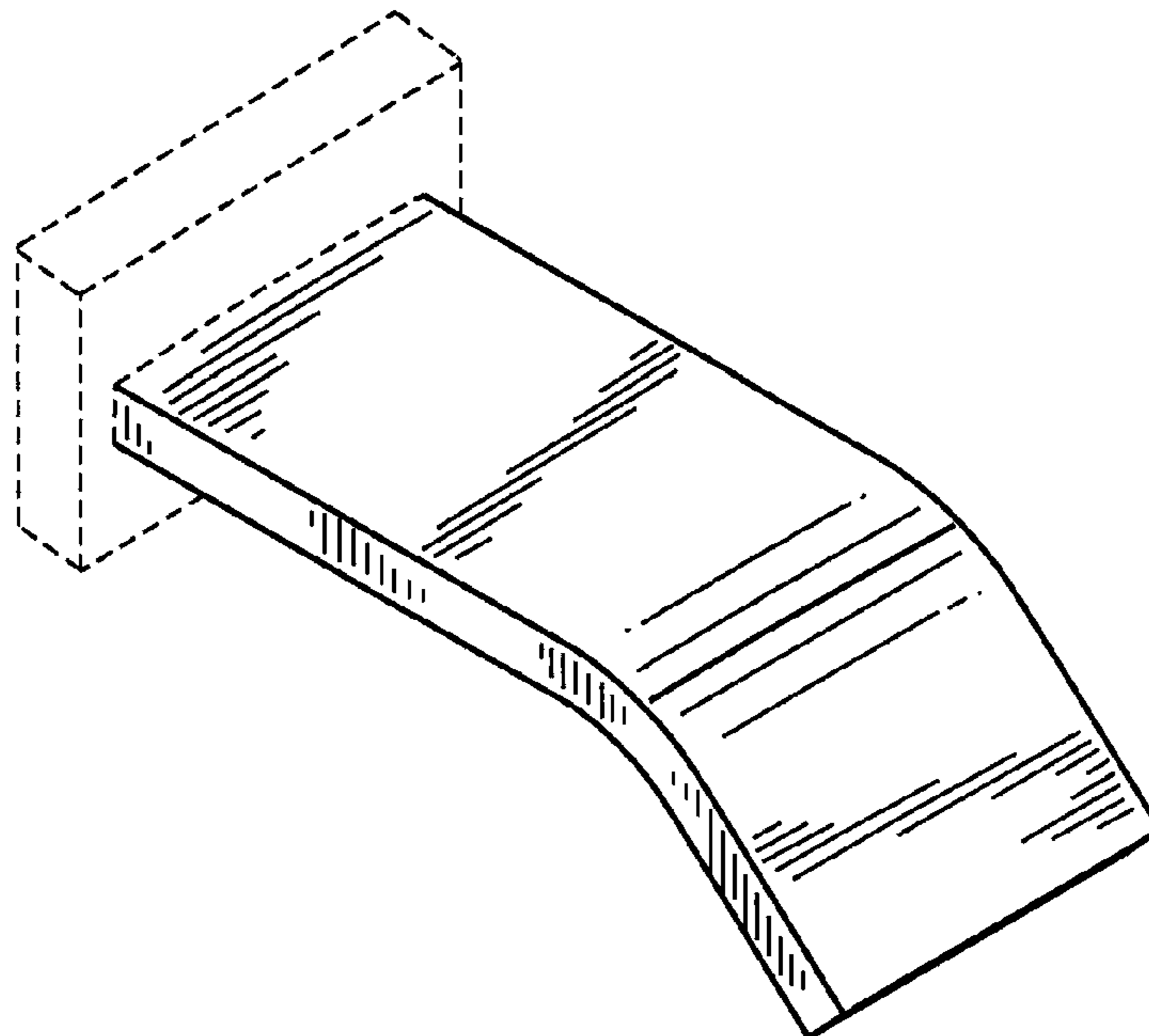
FIG. 5 is a bottom plan view thereof; and,

FIG. 6 is a rear elevational view thereof.

The broken line representations in the figures are for the purpose of illustration only, and form no part of the claimed design.

In a preferred embodiment, the nature of this product is a plumbing fitting in the form of a spout, such as used with a bathtub for washing.

1 Claim, 2 Drawing Sheets



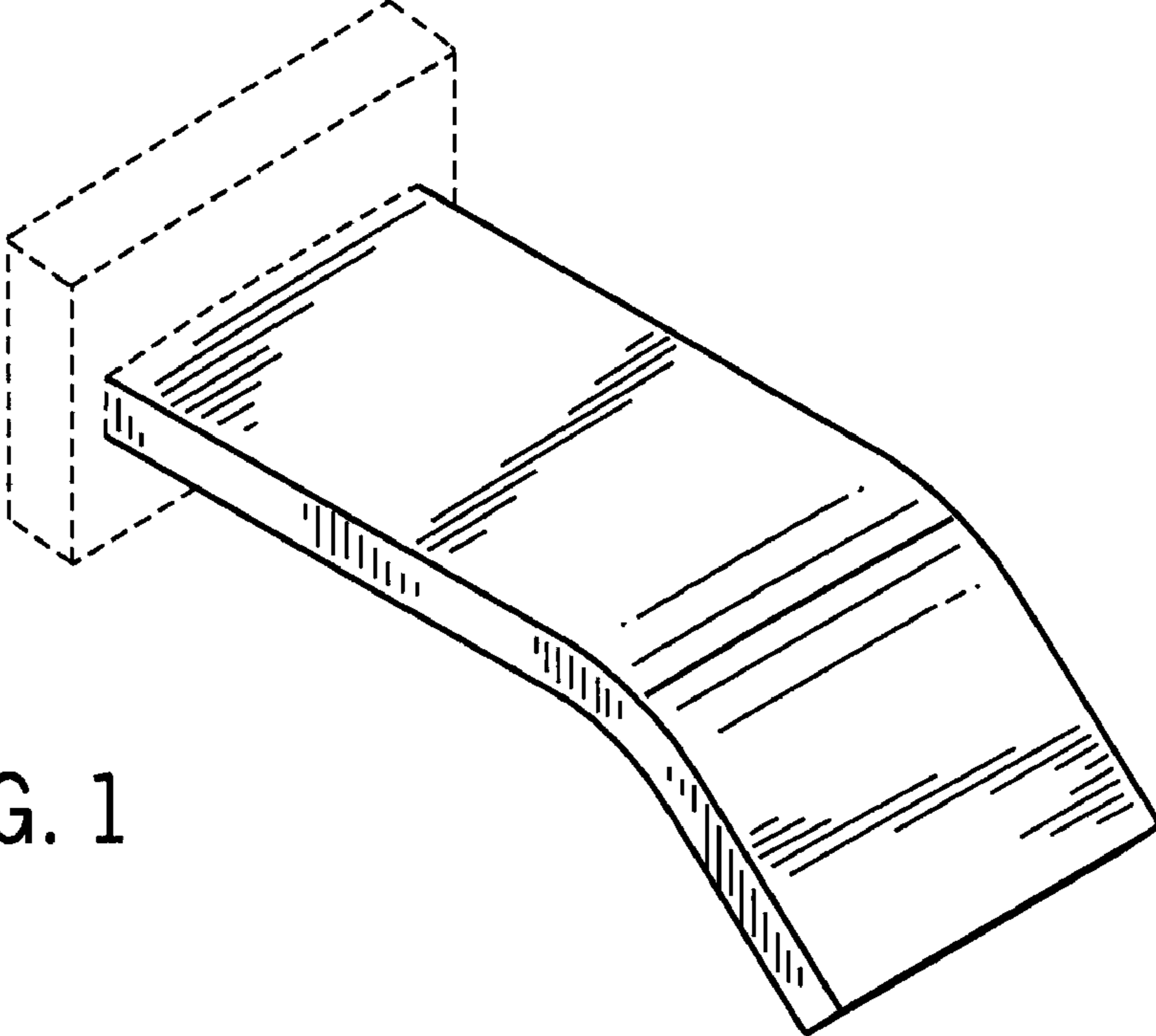


FIG. 1

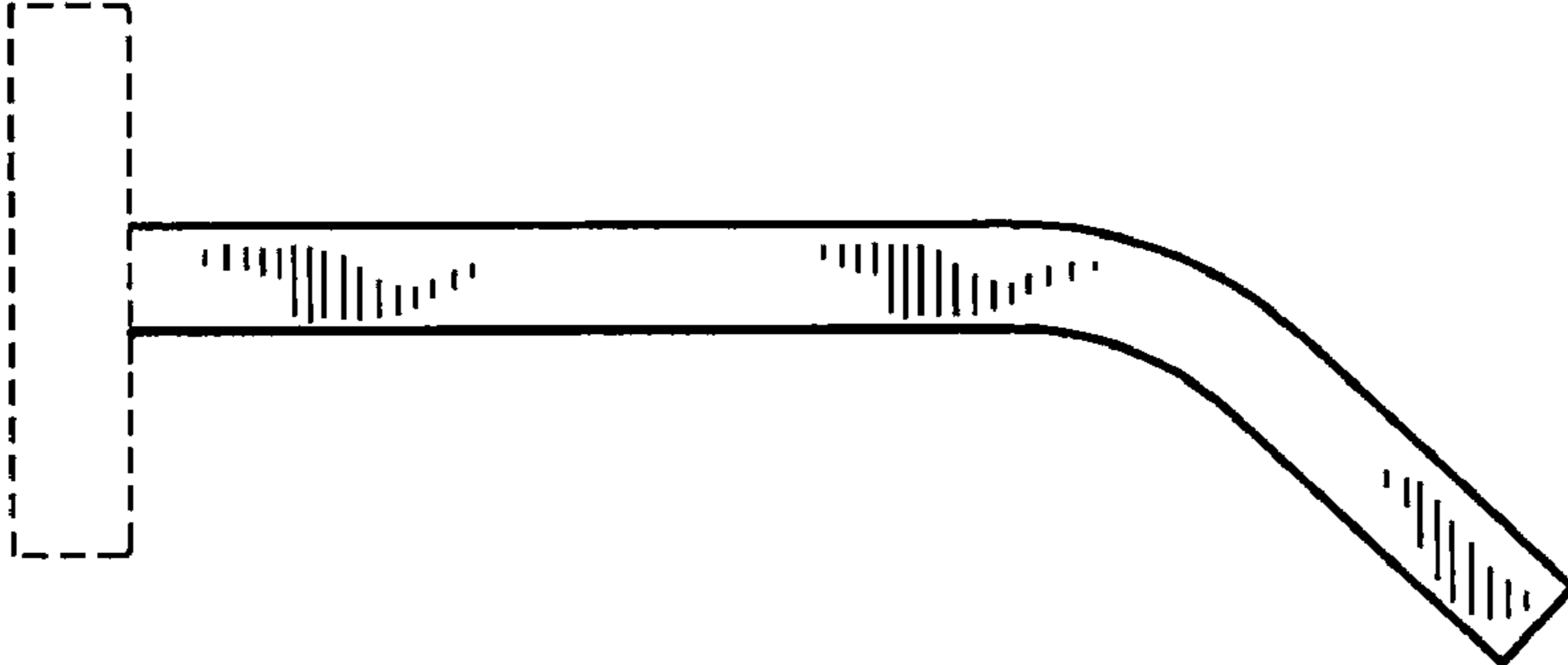


FIG. 2

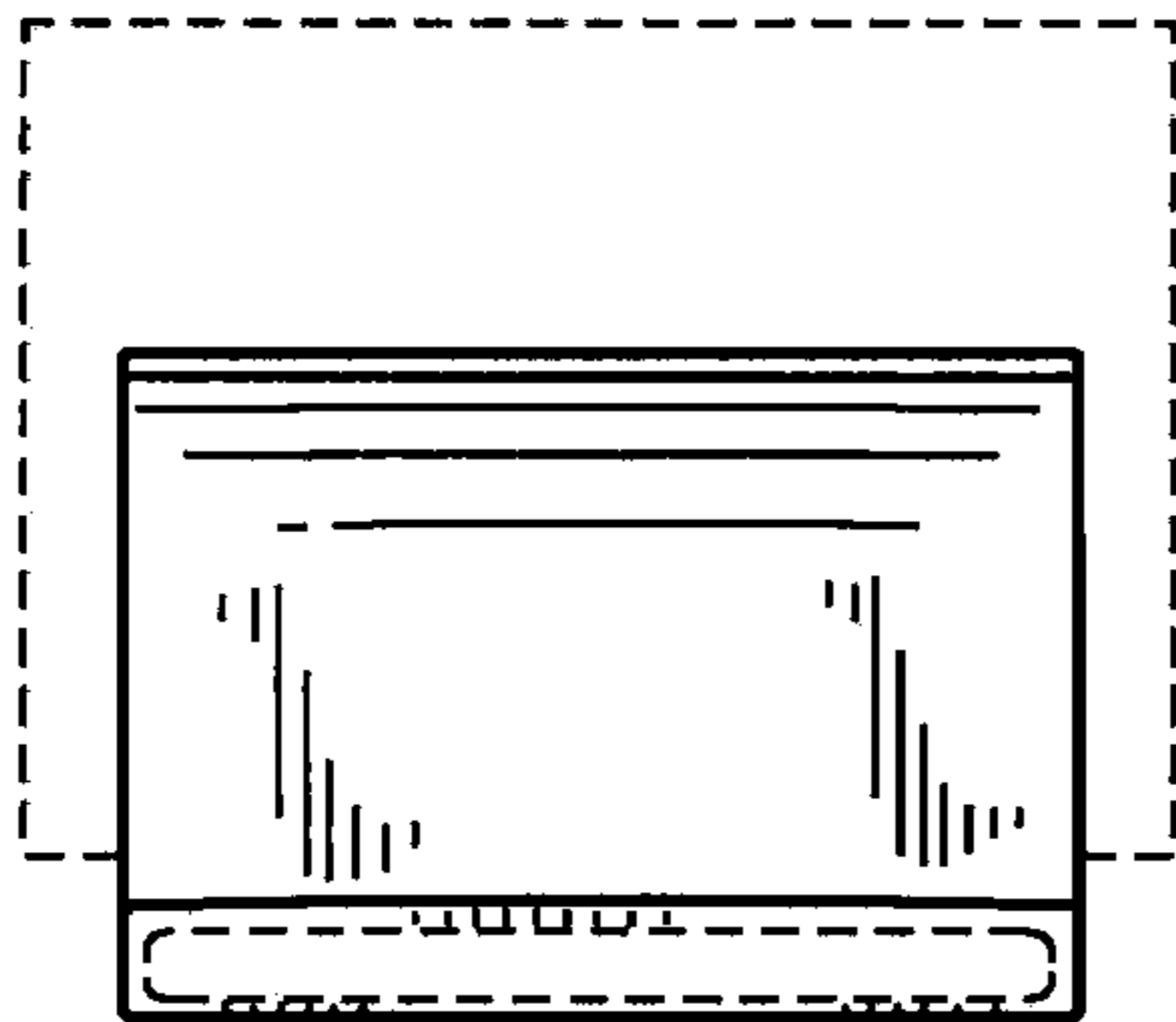


FIG. 3

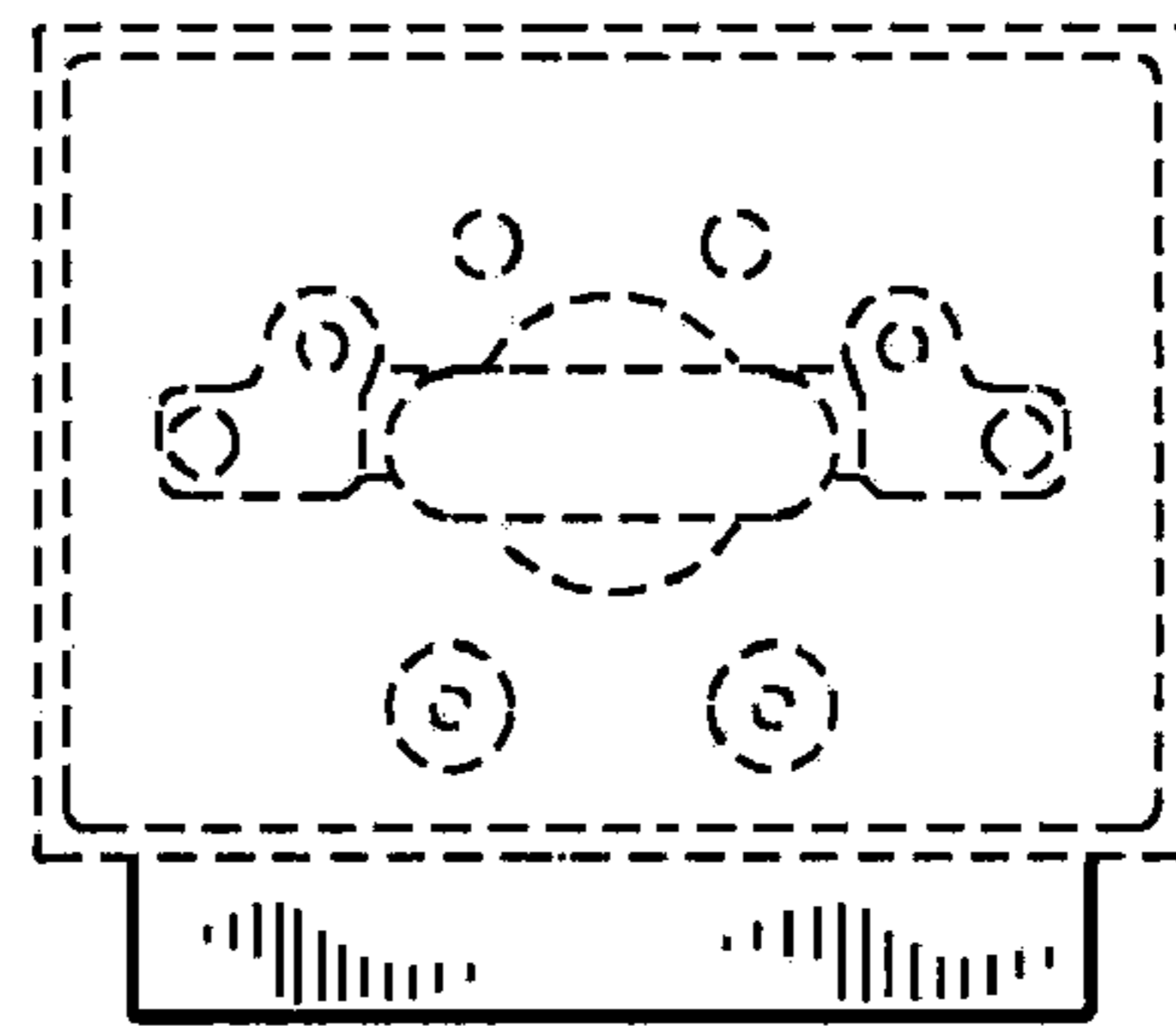


FIG. 6

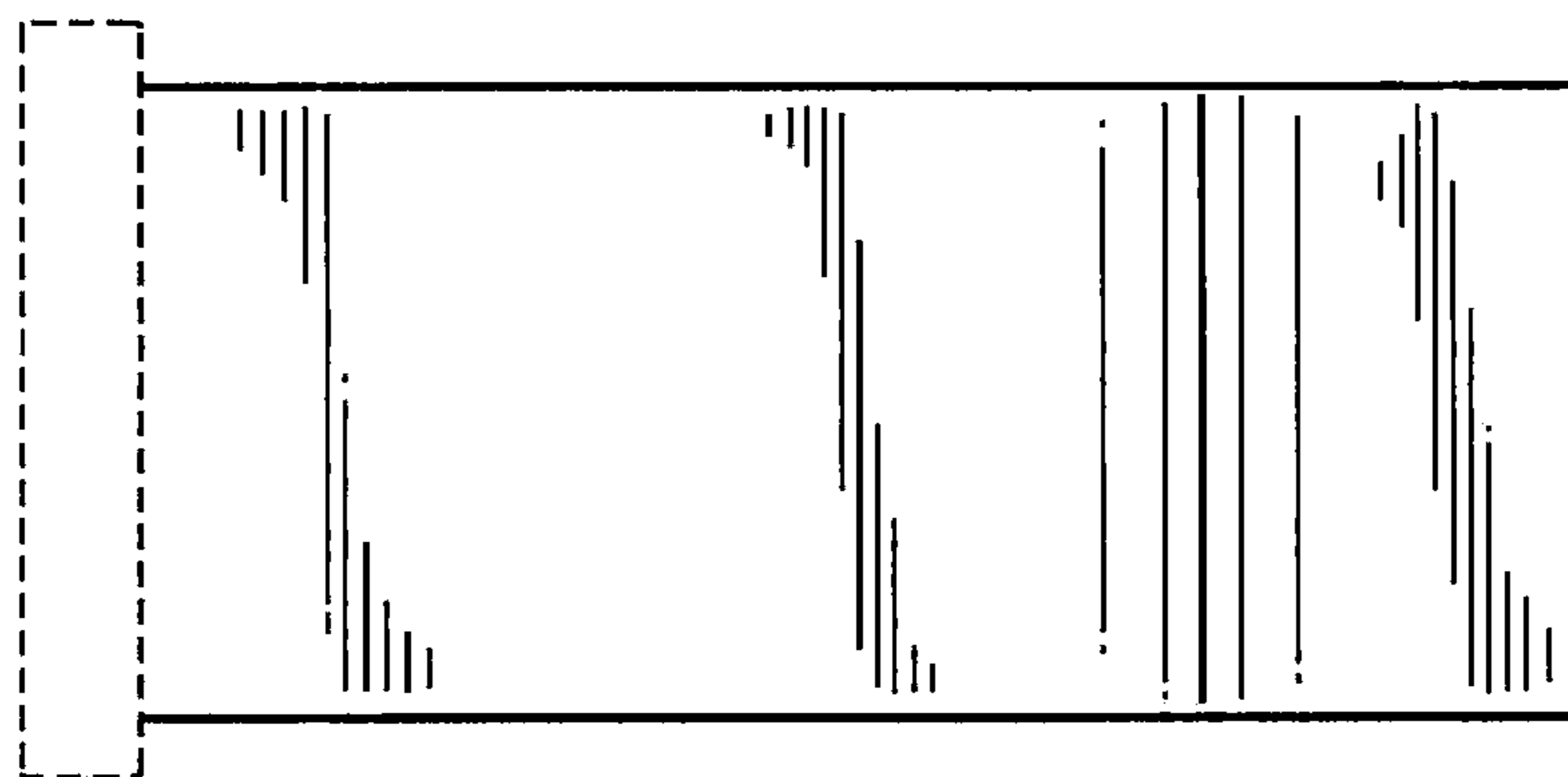


FIG. 4

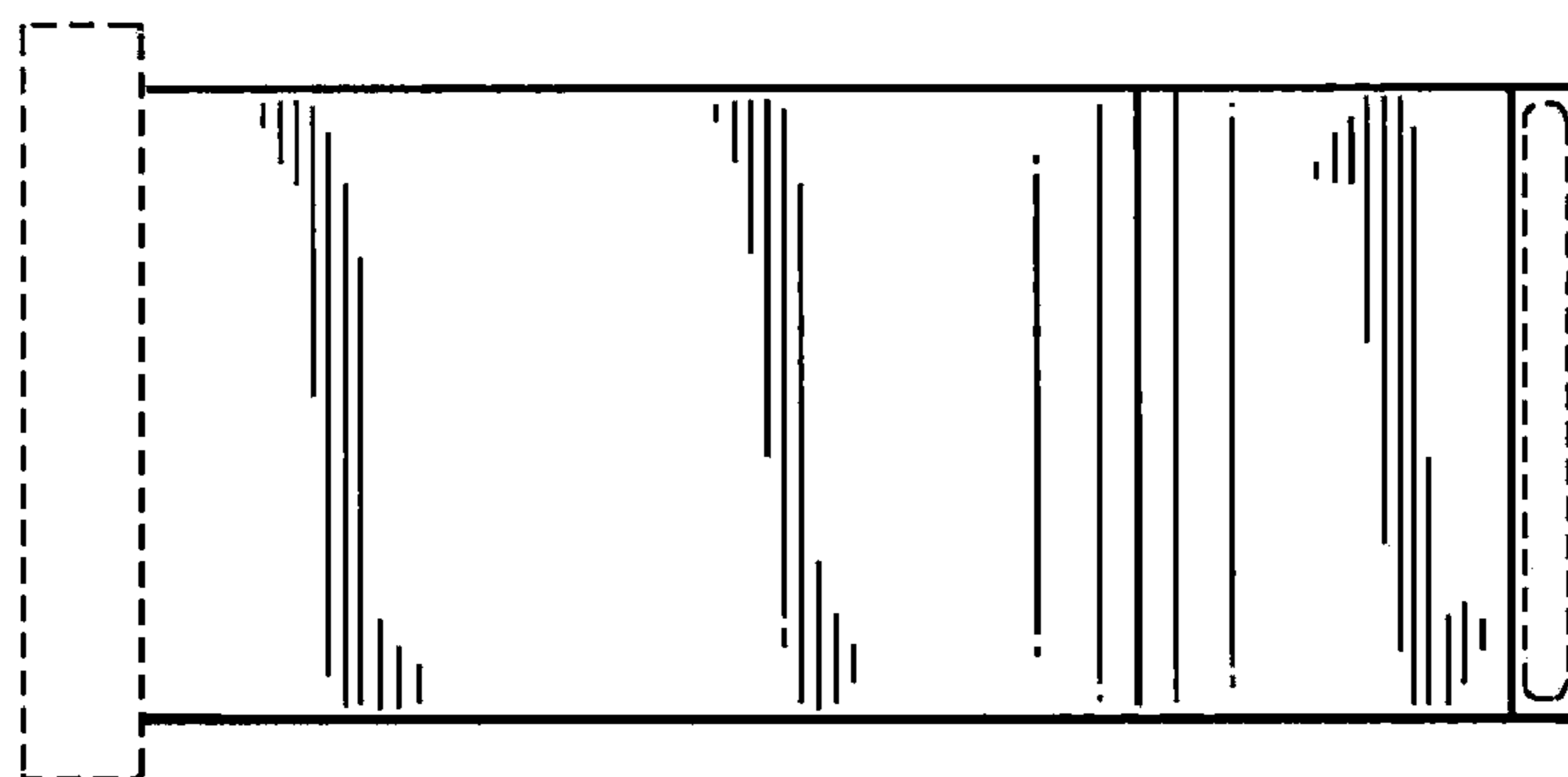


FIG. 5