



US00D643511S

(12) **United States Design Patent**
Martinez

(10) **Patent No.:** **US D643,511 S**

(45) **Date of Patent:** **** Aug. 16, 2011**

(54) **COMBINED SHOWERHEAD AND TANKLESS WATER HEATER**

D454,938 S 3/2002 Lord
D459,452 S 6/2002 Blanco, Jr.
D502,250 S 2/2005 Otero
D545,398 S 6/2007 Sedwick

(75) Inventor: **Marta Martinez**, Hialeah, FL (US)

* cited by examiner

(73) Assignee: **American Heat Manufacturer, LLC**,
Hialeah, FL (US)

Primary Examiner — Robin Webster

(74) *Attorney, Agent, or Firm* — Daniel S. Polley, P.A.

(**) Term: **14 Years**

(57) **CLAIM**

The ornamental design for a combined showerhead and tankless water heater, as shown and described.

(21) Appl. No.: **29/390,108**

DESCRIPTION

(22) Filed: **Apr. 20, 2011**

(51) **LOC (9) Cl.** **23-01**

(52) **U.S. Cl.** **D23/228; D23/321**

(58) **Field of Classification Search** D23/228,
D23/229, 318, 320, 321; 4/605; 392/473-474,
392/370

See application file for complete search history.

FIG. 1 is a bottom perspective view showing a first embodiment of the new design;

FIG. 2 is a top perspective view thereof;

FIG. 3 is a bottom view thereof;

FIG. 4 is a top view thereof;

FIG. 5 is a right side view thereof;

FIG. 6 is a left side view thereof;

FIG. 7 is a front view thereof;

FIG. 8 is a back view thereof;

FIG. 9 is a bottom perspective view showing a second embodiment of the new design;

FIG. 10 is a bottom view thereof; and,

FIG. 11 is a front view thereof.

The remaining views for the second embodiment of the new design are the same as the corresponding views for the first embodiment of the new design.

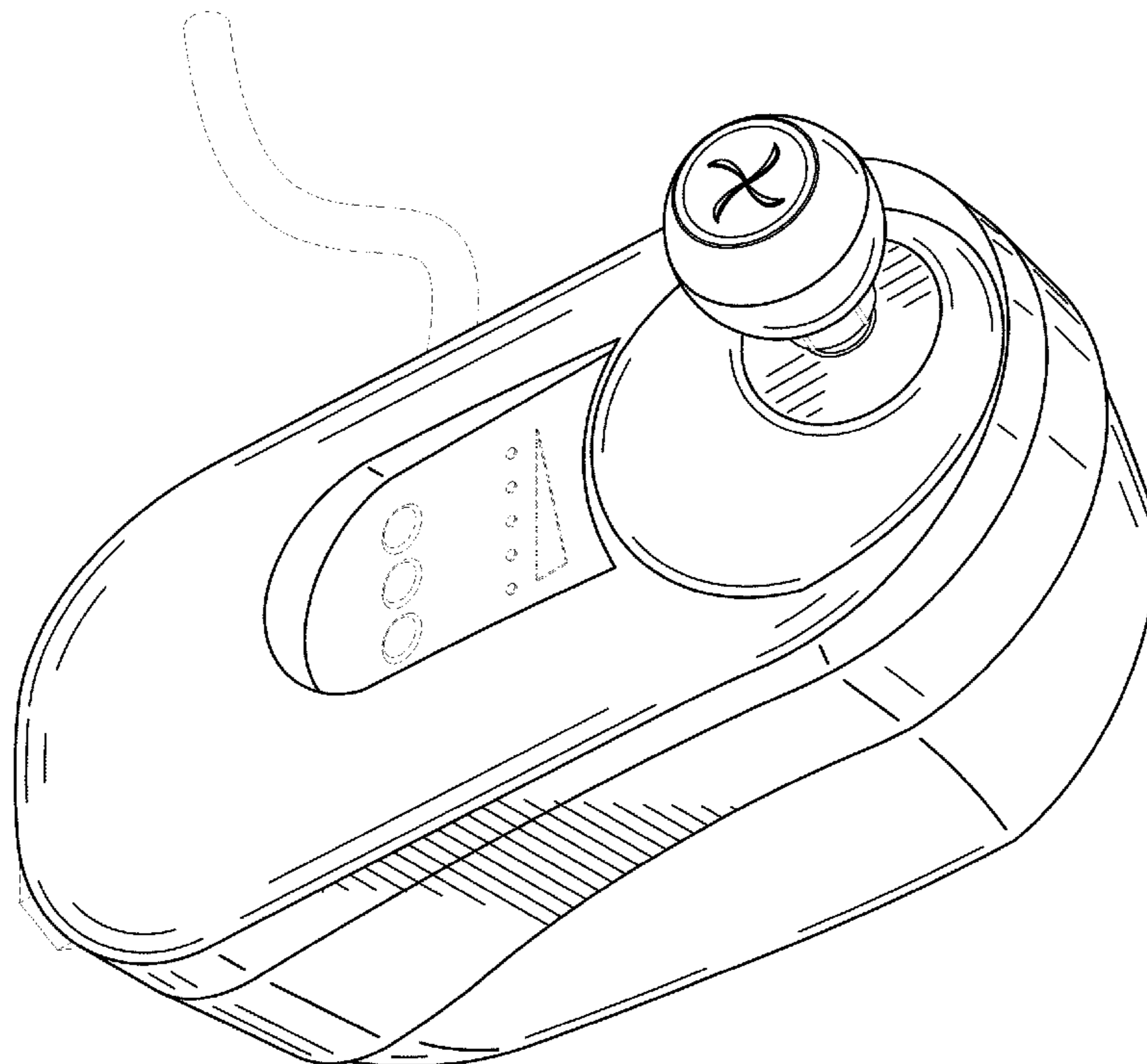
The broken line representations shown in the drawings are for illustrative purposes only and form no part of the claimed design.

(56) **References Cited**

U.S. PATENT DOCUMENTS

2,044,634	A *	6/1936	Rieder	392/473
2,052,420	A	8/1936	Peterson		
D146,308	S *	2/1947	Harman	D23/228
2,588,314	A *	3/1952	Wicks	392/485
2,861,170	A *	11/1958	Rodriguez	392/474
4,085,308	A	4/1978	Youngquist		
D262,905	S	2/1982	Tommaso		
D294,288	S	2/1988	Blanco		
5,012,536	A	5/1991	Rivera		
5,076,709	A *	12/1991	Tognotti	374/147
D393,047	S	3/1998	Andrus et al.		
D403,048	S *	12/1998	Allah	D23/228
6,240,250	B1 *	5/2001	Blanco, Jr.	392/490

1 Claim, 11 Drawing Sheets



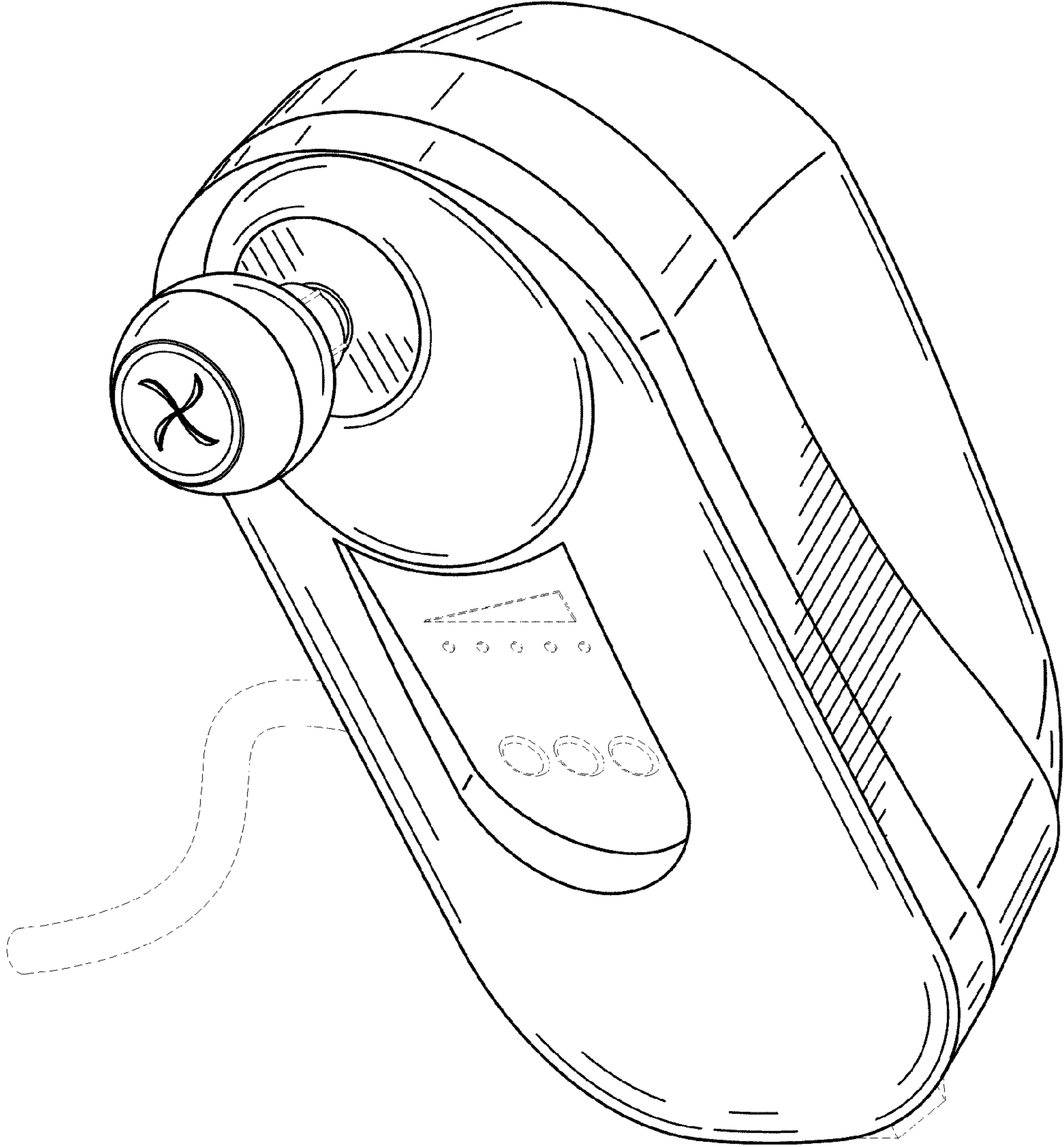


FIG. 1

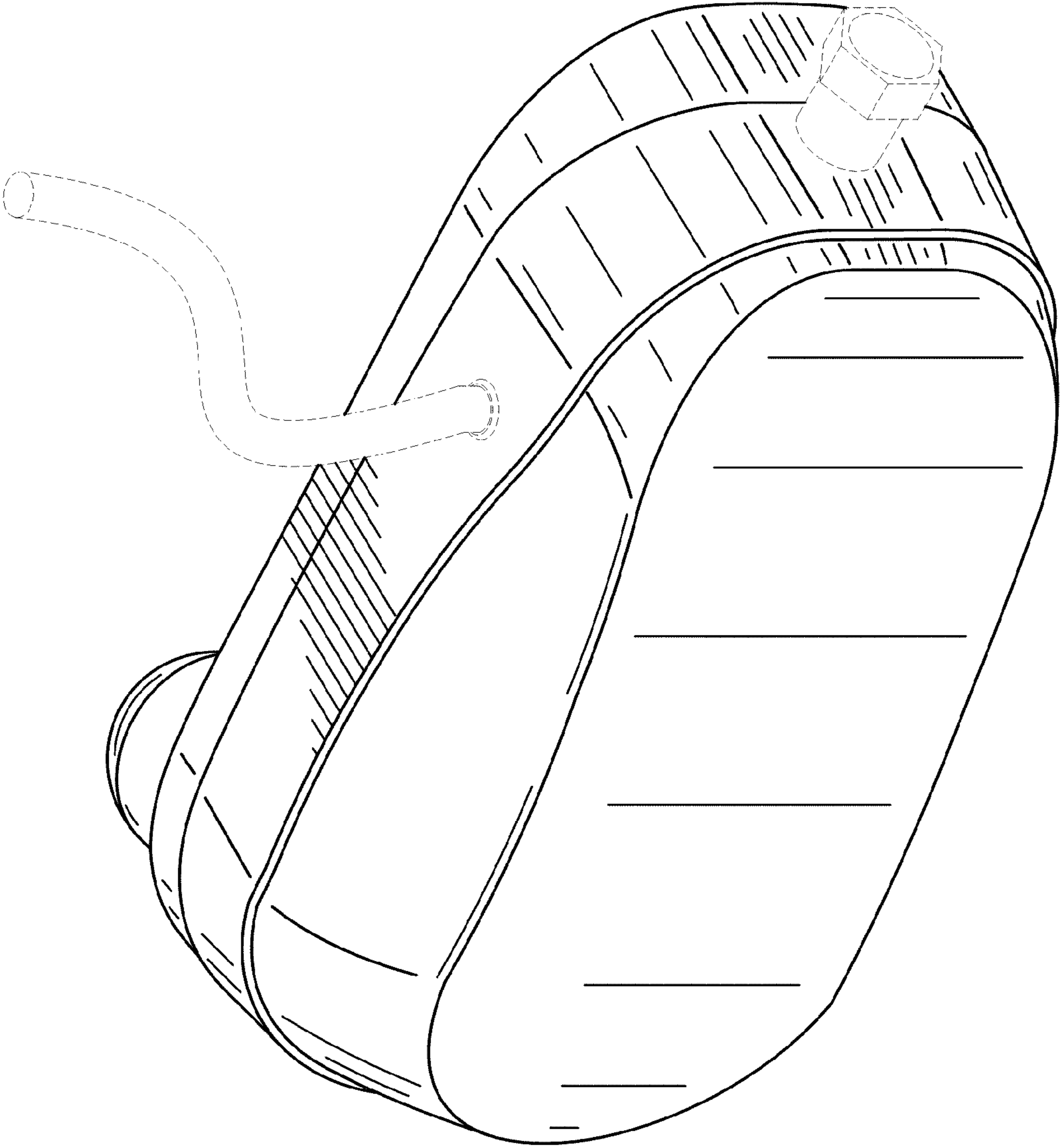


FIG. 2

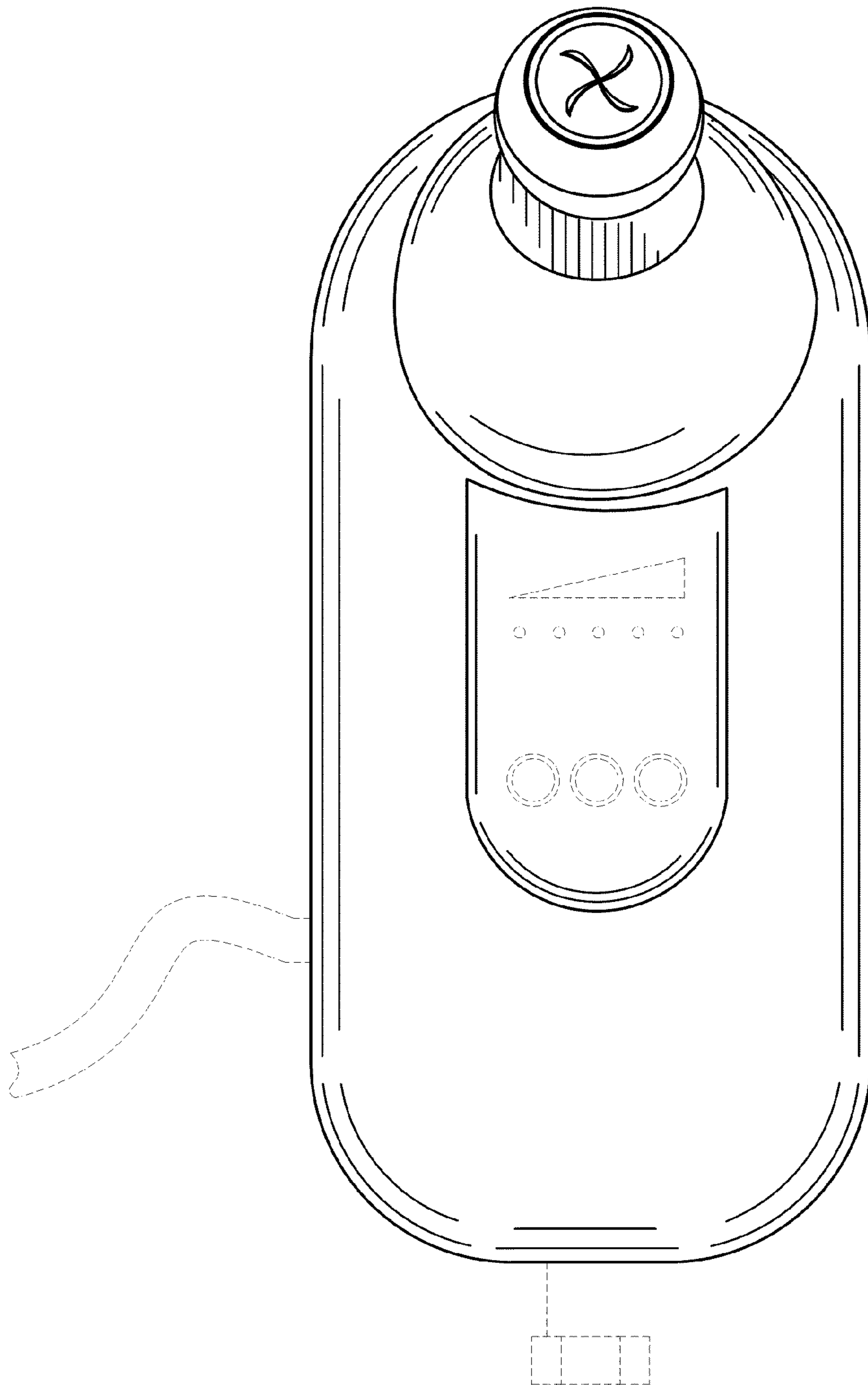


FIG. 3

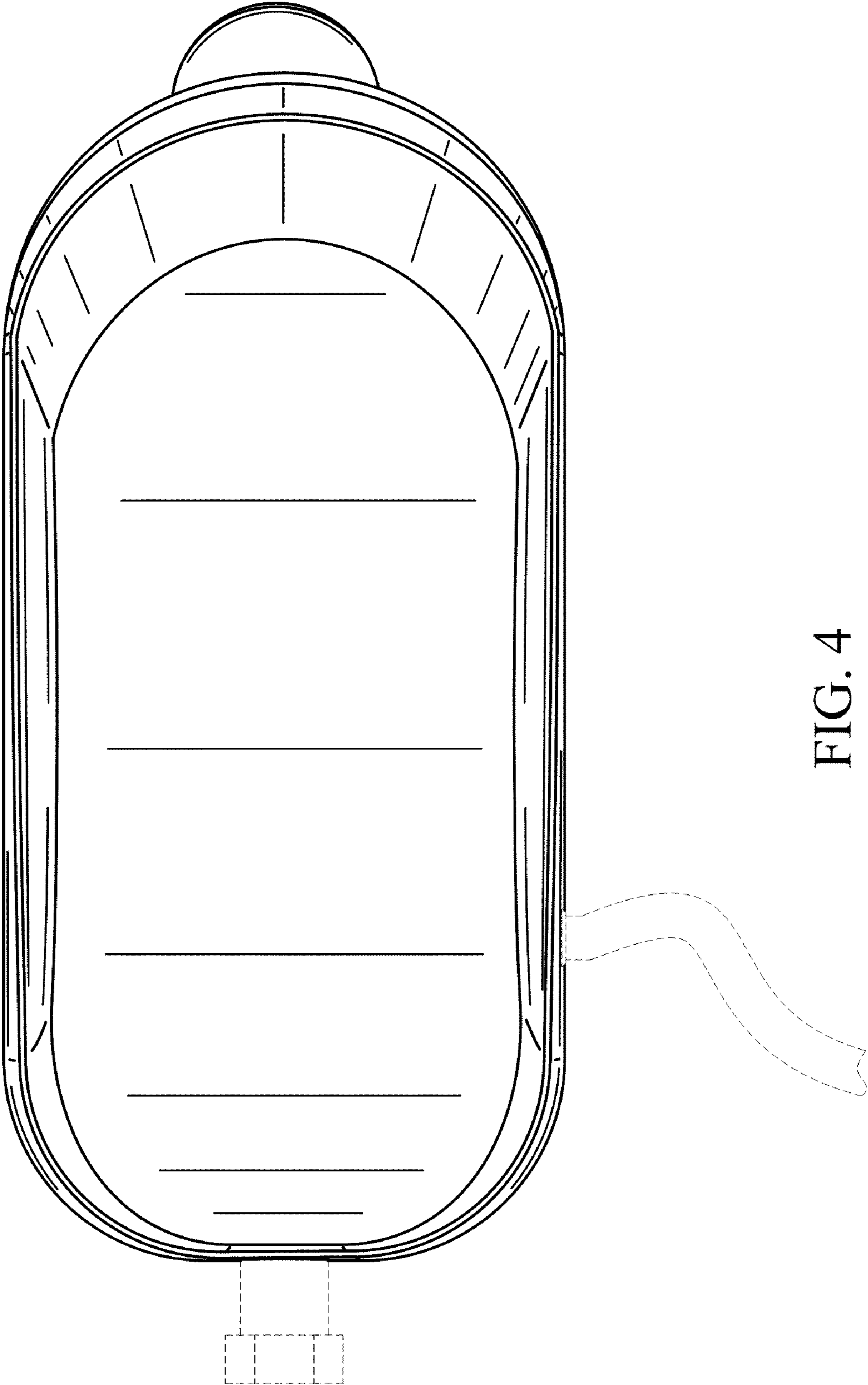


FIG. 4

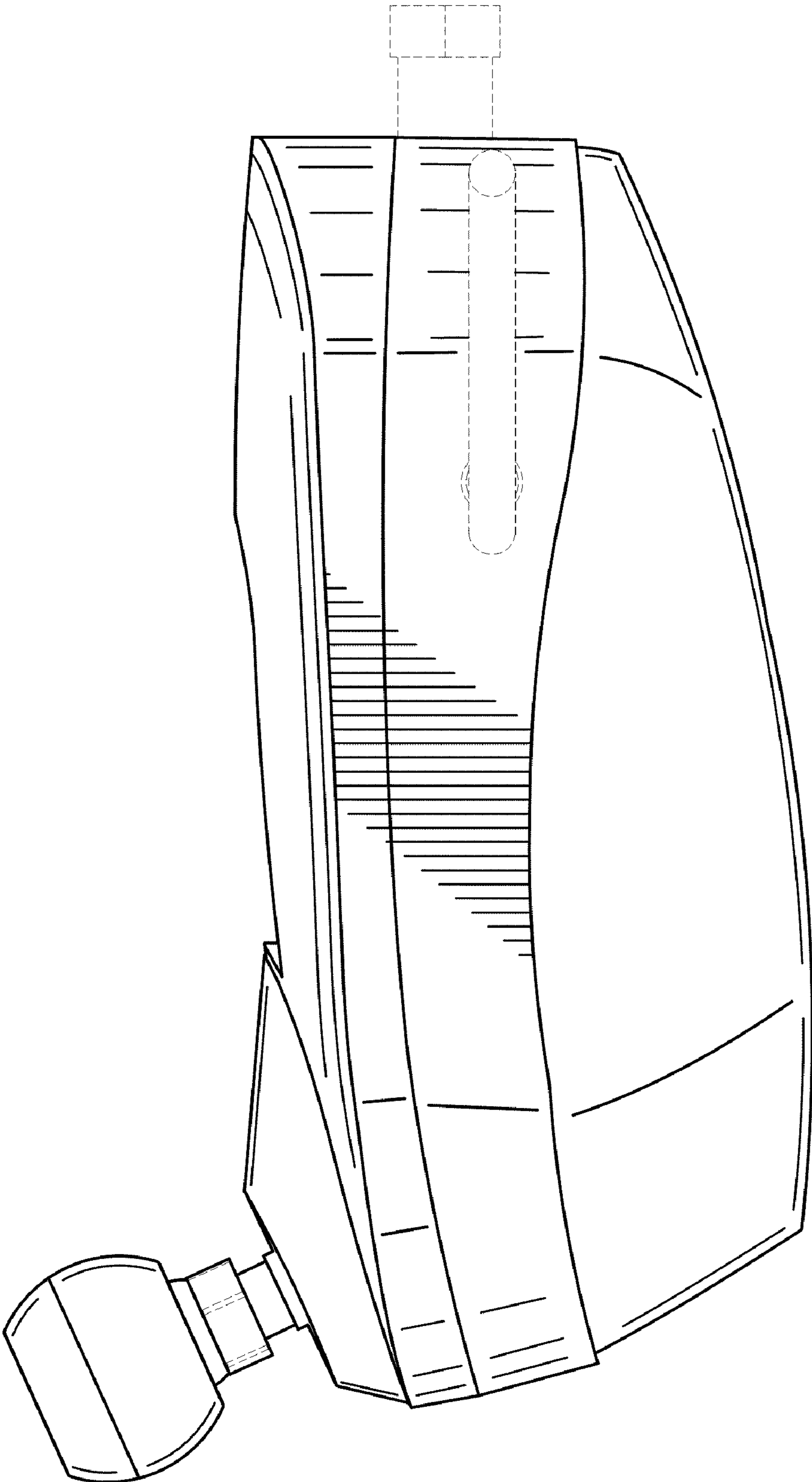


FIG. 5

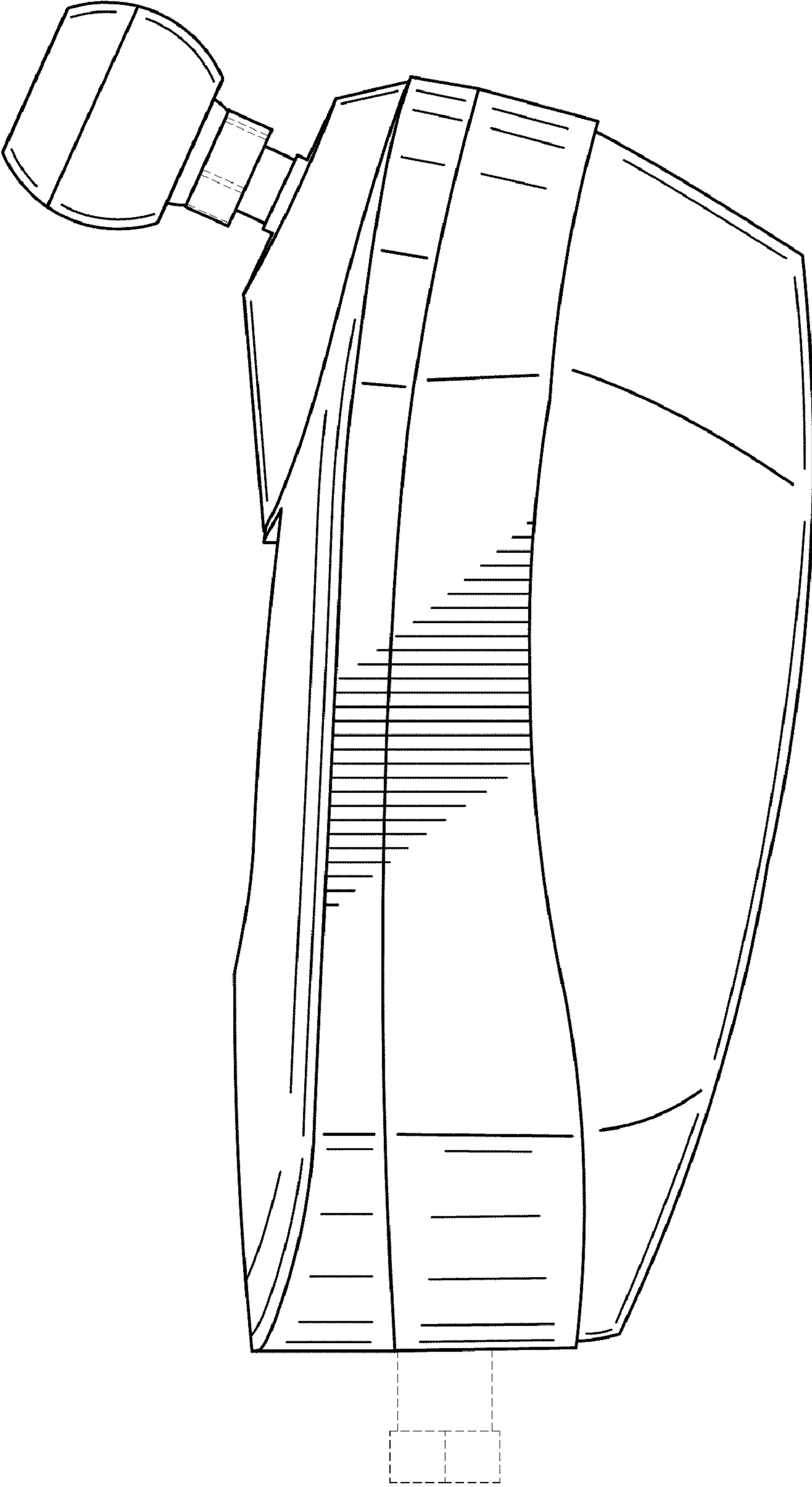


FIG. 6

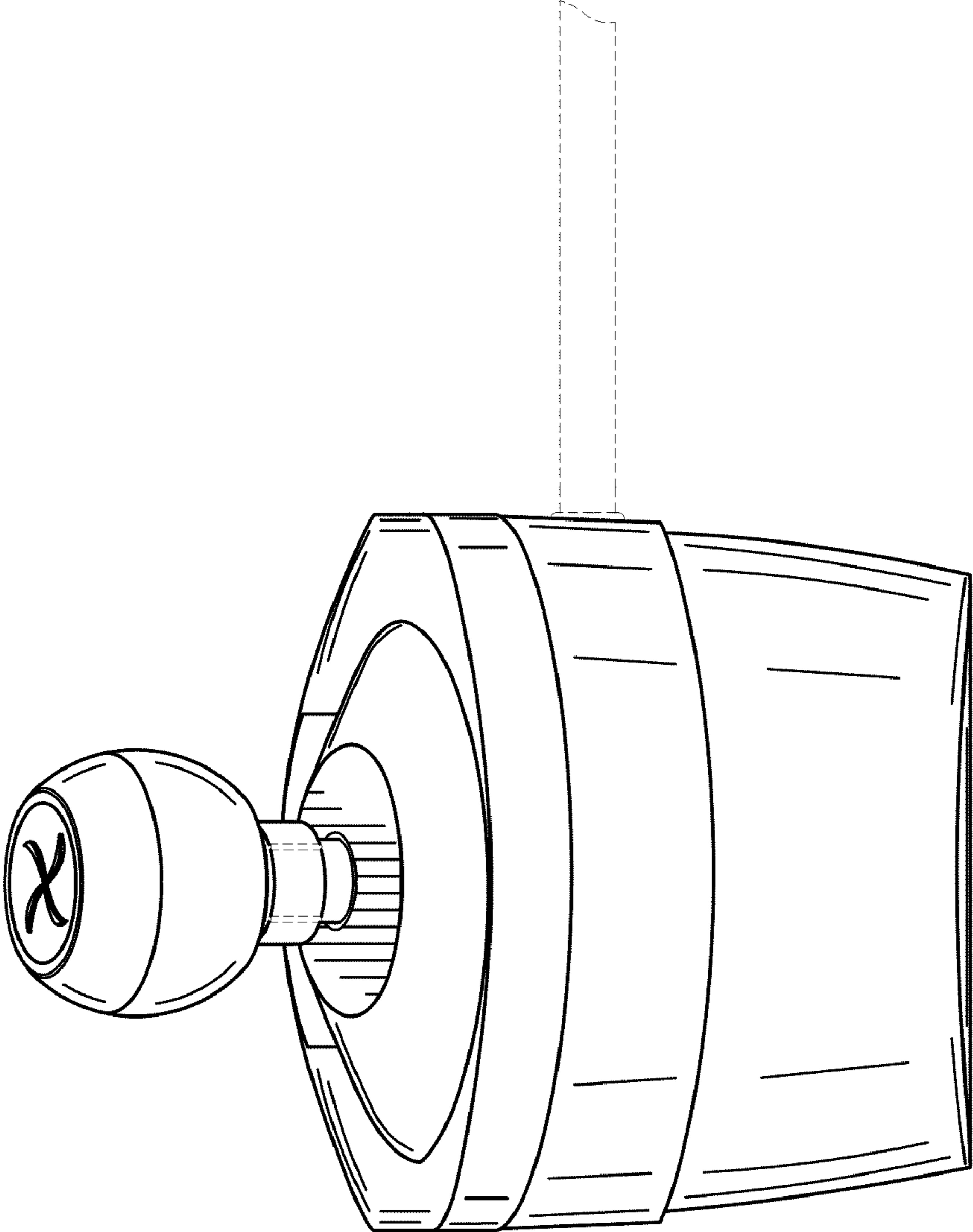


FIG. 7

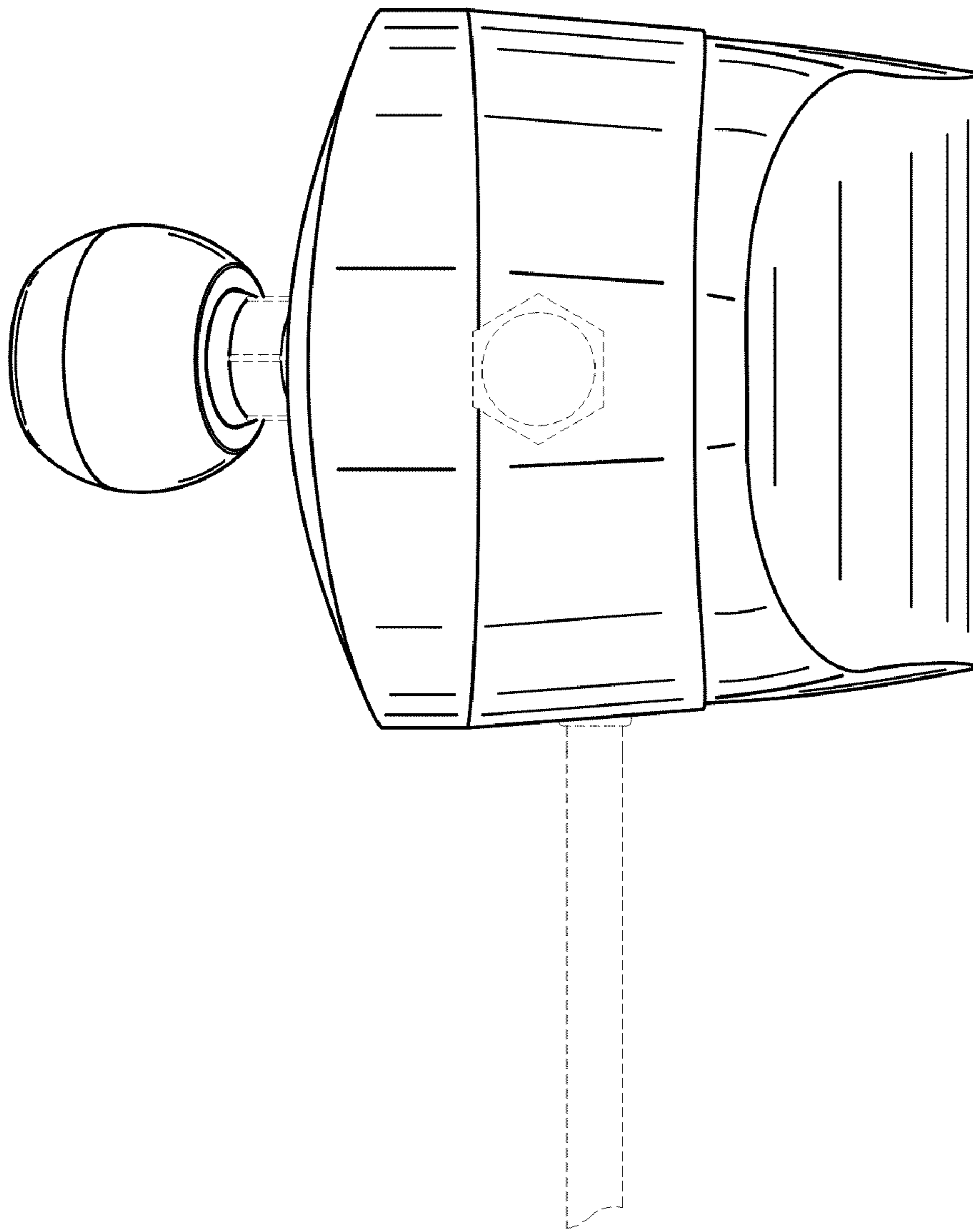


FIG. 8

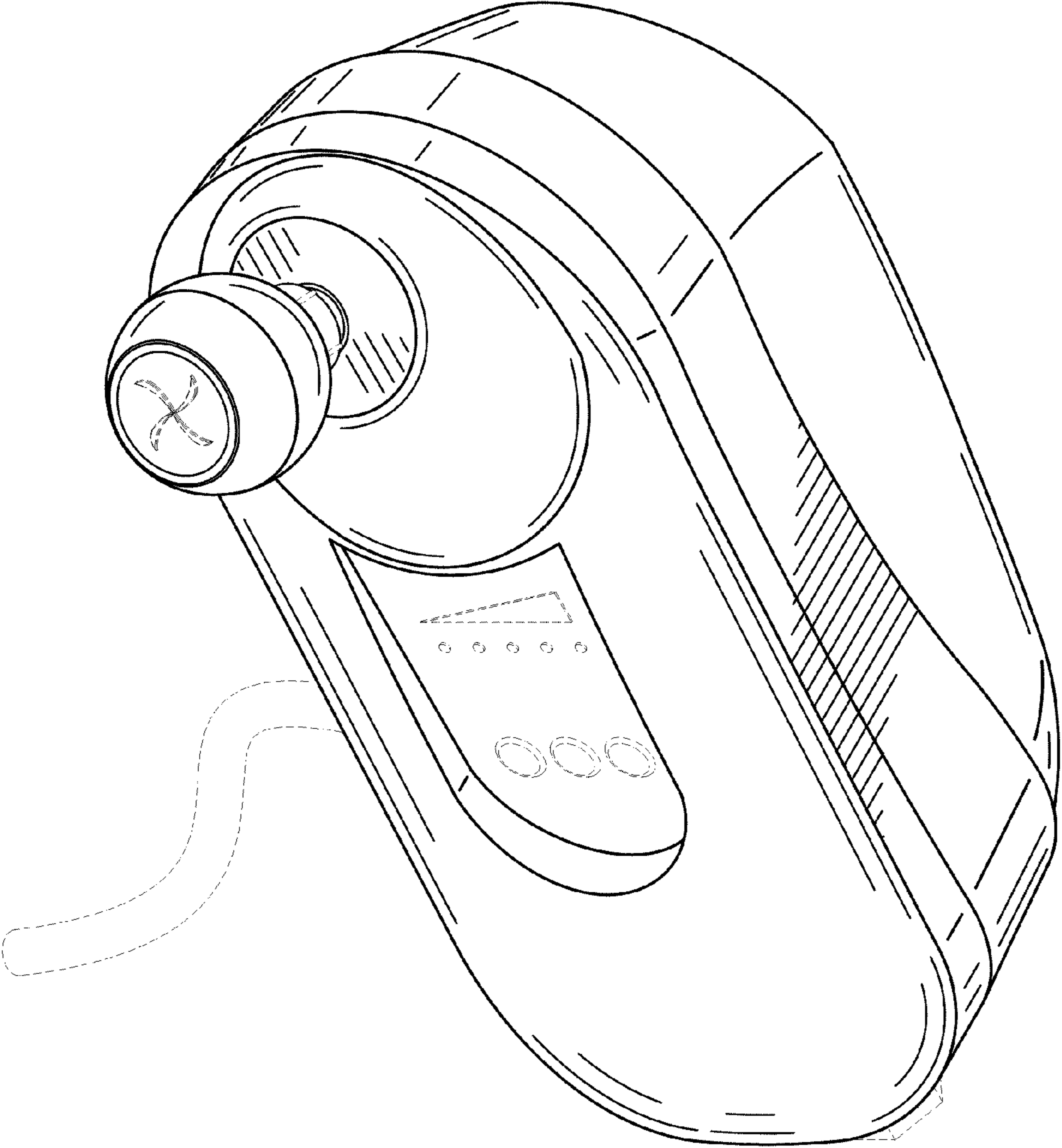


FIG. 9

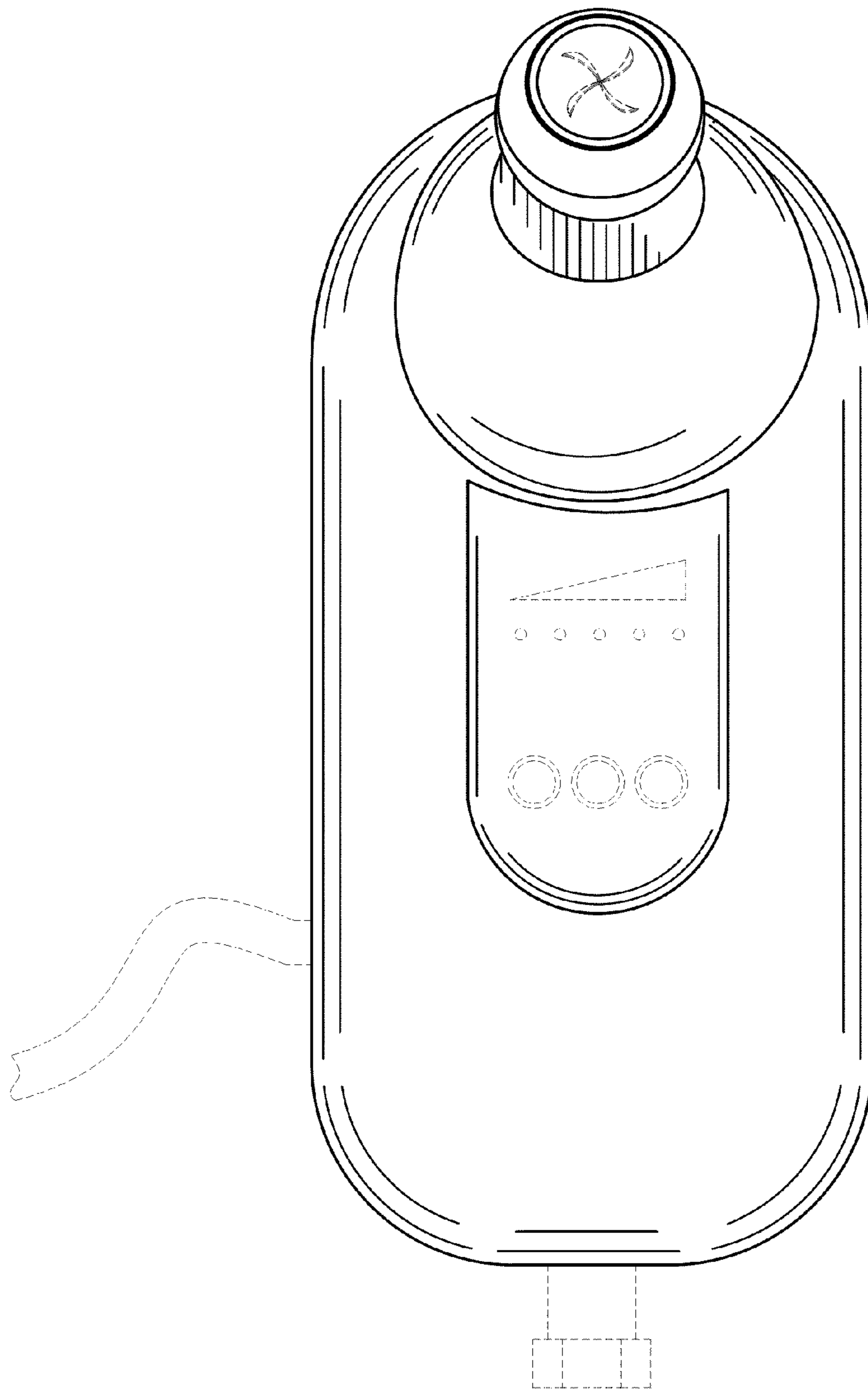


FIG. 10

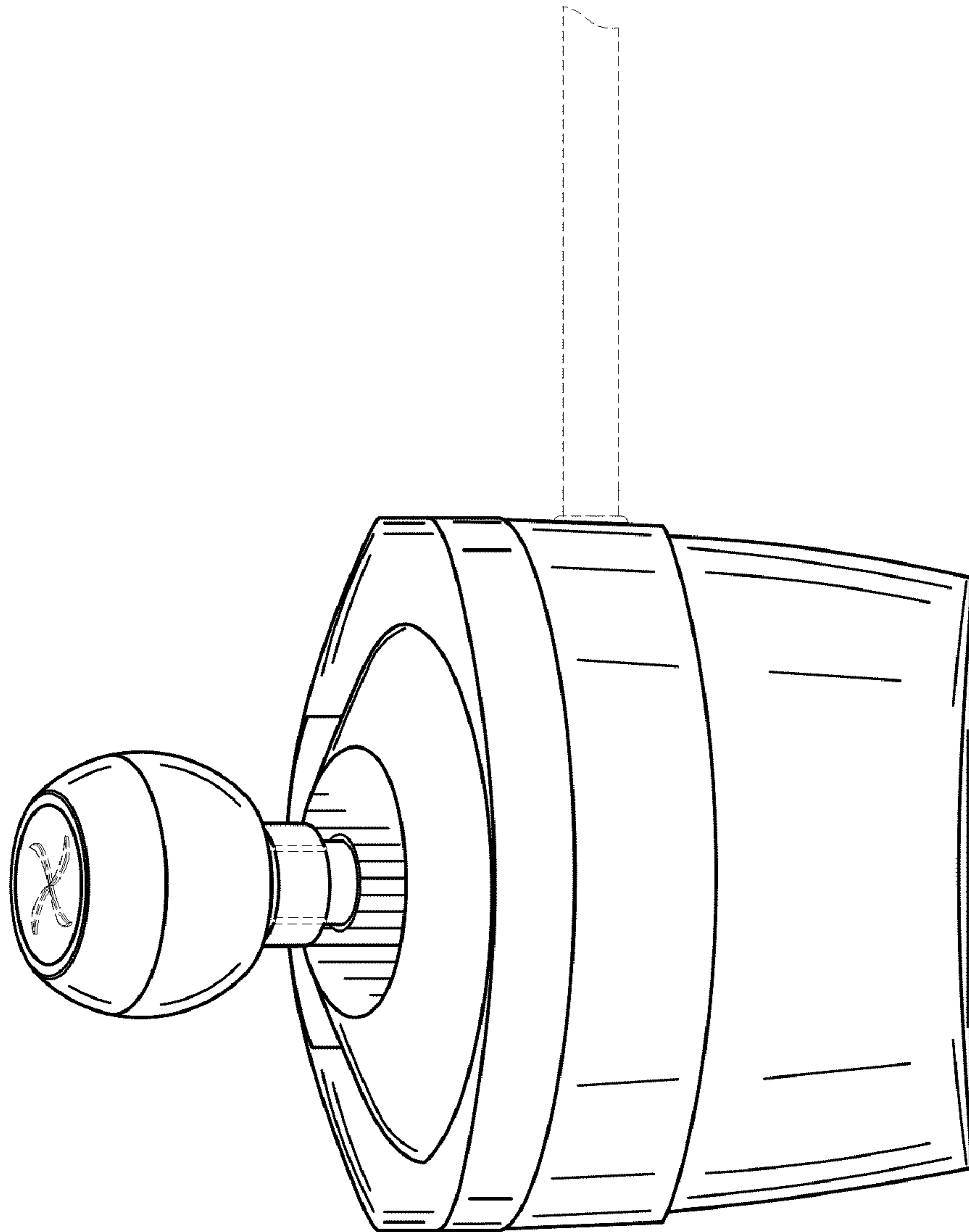


FIG. 11