



US00D643507S

(12) **United States Design Patent**
Lee

(10) **Patent No.:** **US D643,507 S**

(45) **Date of Patent:** **** Aug. 16, 2011**

(54) **WATER PURIFIER FOR TAP FAUCET**

(75) Inventor: **Jeong Hun Lee**, Seoul (KR)

(73) Assignee: **Ceragem Co., Ltd.**,
Choongchungnam-Do (KR)

(**) Term: **14 Years**

(21) Appl. No.: **29/381,582**

(22) Filed: **Dec. 21, 2010**

(30) **Foreign Application Priority Data**

Jul. 30, 2010 (KR) 30-2010-0033468

(51) **LOC (9) Cl.** **23-01**

(52) **U.S. Cl.** **D23/207**

(58) **Field of Classification Search** D23/207,
D23/209; 210/85, 460; 137/801

See application file for complete search history.

(56) **References Cited**

U.S. PATENT DOCUMENTS

D355,241	S	*	2/1995	Zylstra et al.	D23/209
D397,764	S	*	9/1998	Strand	D23/209
D412,552	S	*	8/1999	Burrows	D23/209
D446,840	S	*	8/2001	Strand	D23/209
D477,857	S	*	7/2003	Kuna	D23/209

* cited by examiner

Primary Examiner — Robin Webster

(74) *Attorney, Agent, or Firm* — IPLA P.A.; James E. Bame

(57) **CLAIM**

The ornamental design for a water purifier for a tap faucet, as shown and described.

DESCRIPTION

FIG. 1 is a perspective view of a water purifier for a tap faucet showing my new design;

FIG. 2 is a front elevational view thereof;

FIG. 3 is a rear elevational view thereof;

FIG. 4 is a side elevational view thereof, the other side being a mirror image;

FIG. 5 is a top plan view thereof; and,

FIG. 6 is a bottom plan view thereof.

1 Claim, 3 Drawing Sheets

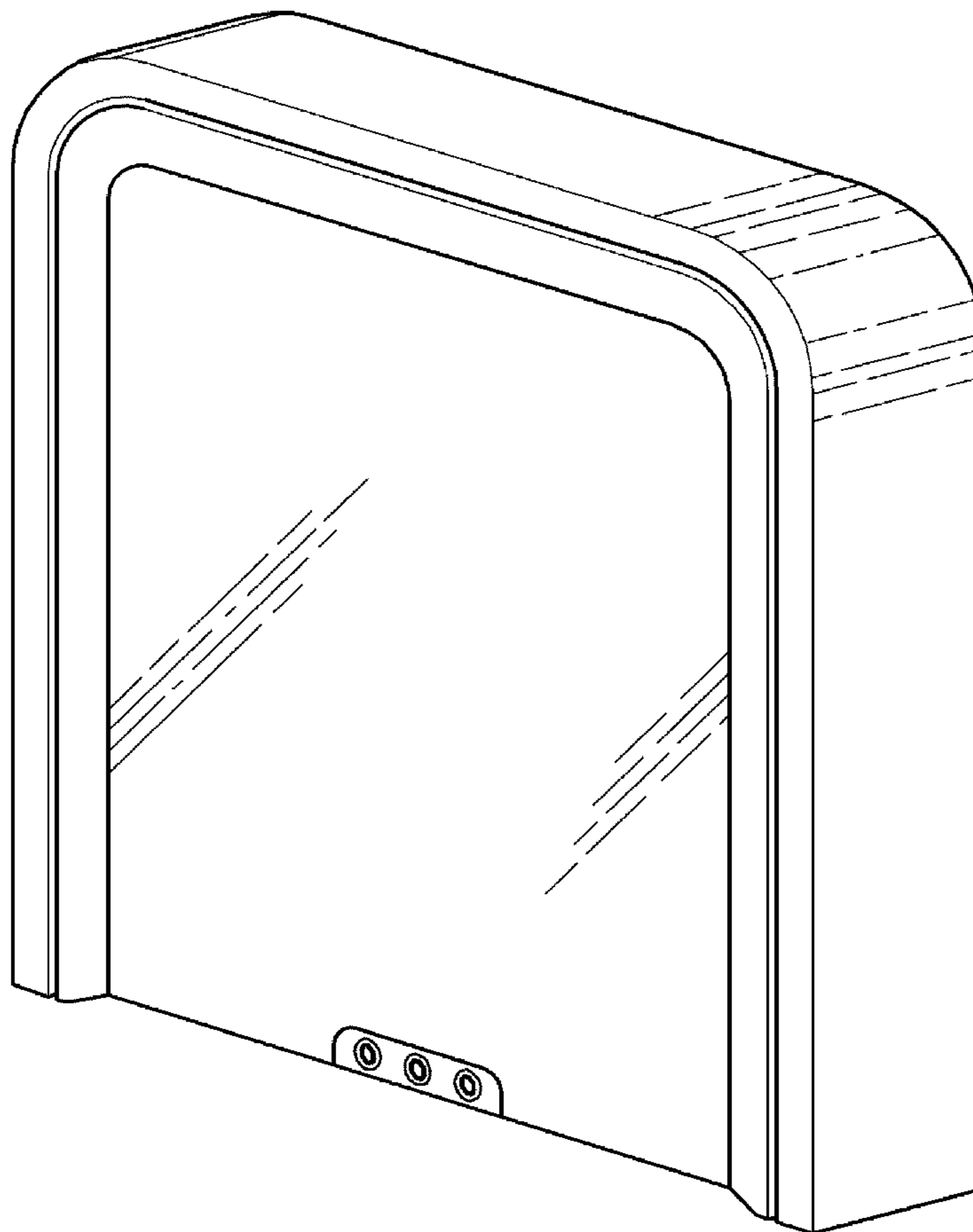


FIG. 1

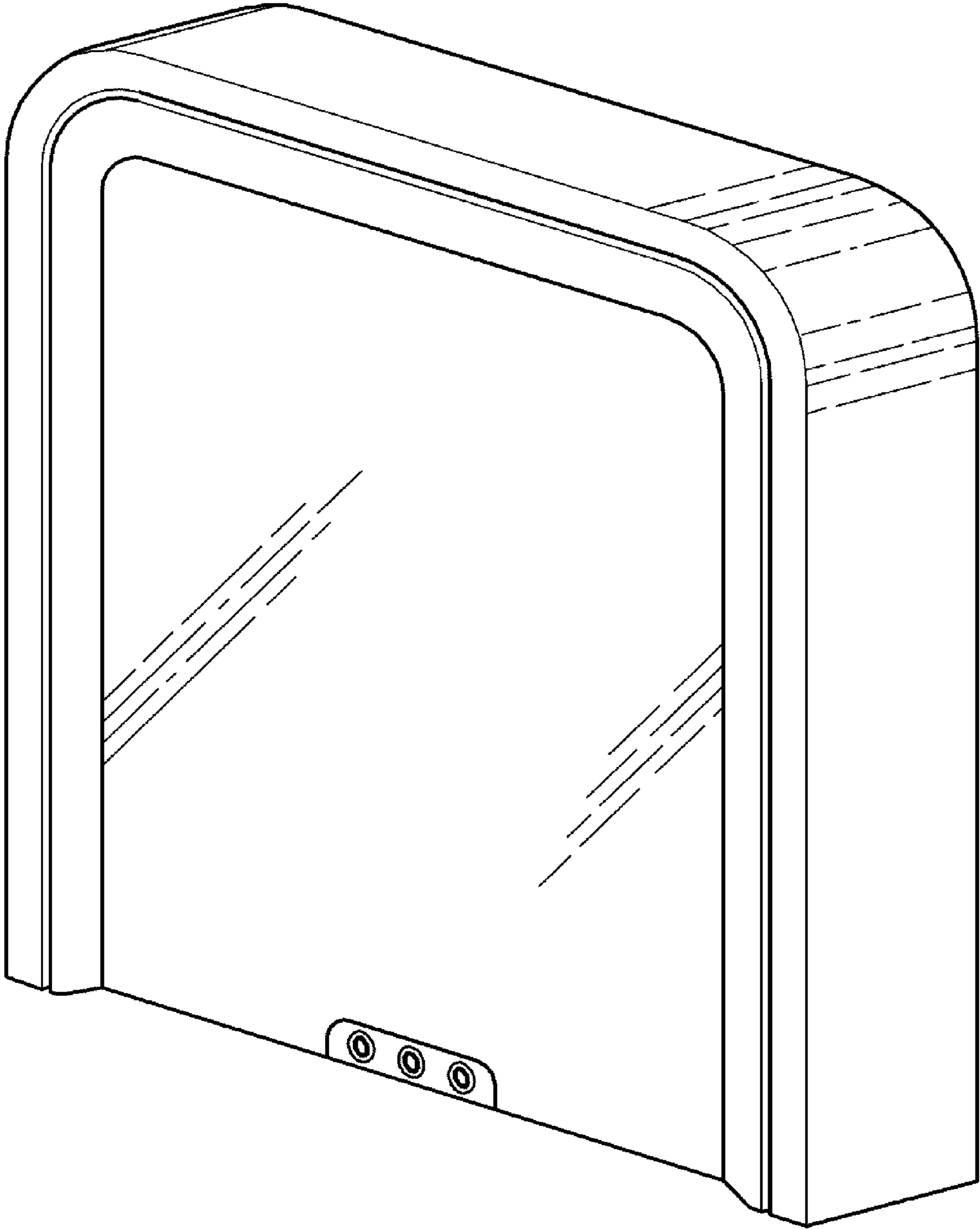


FIG. 2

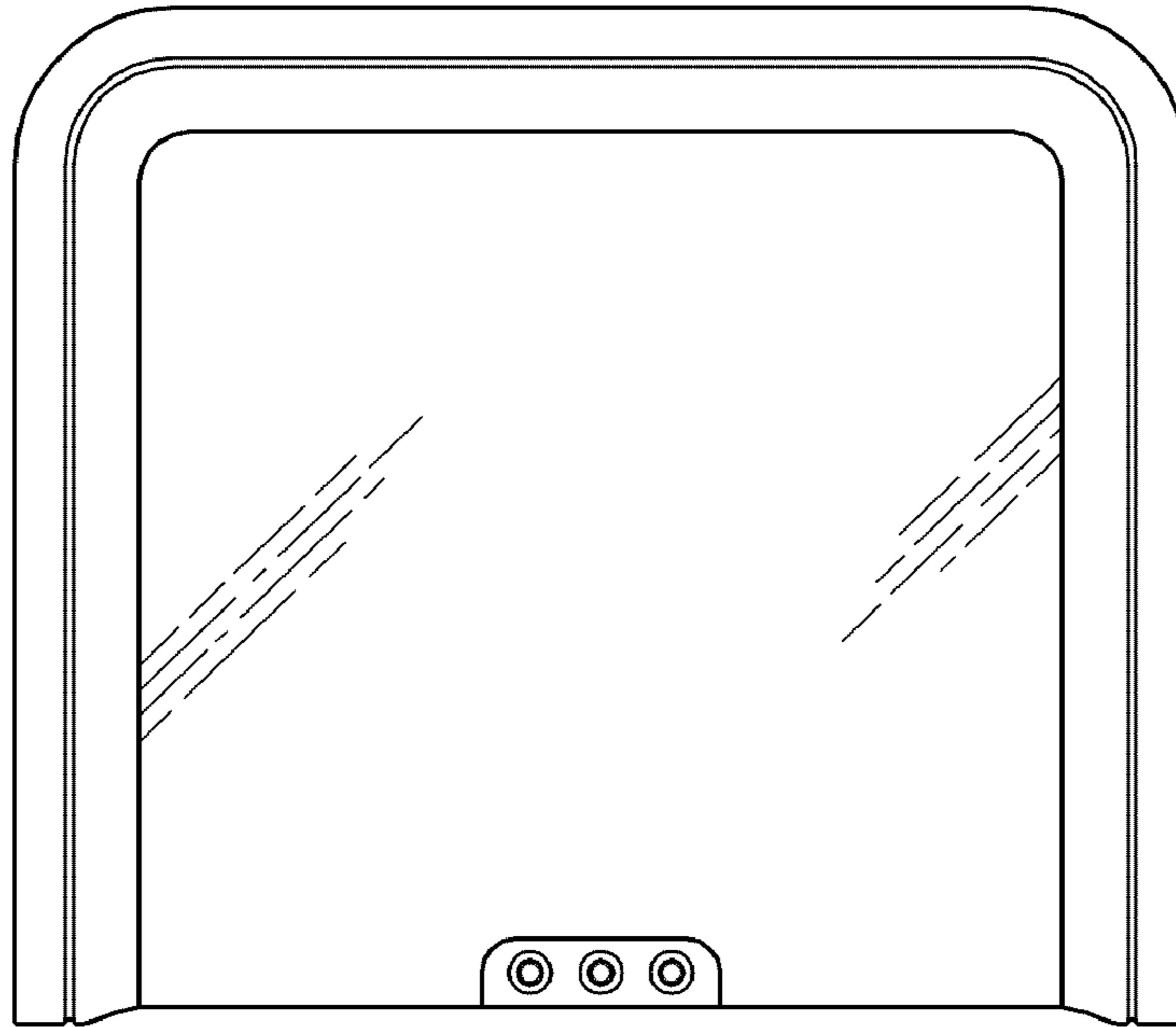


FIG. 3

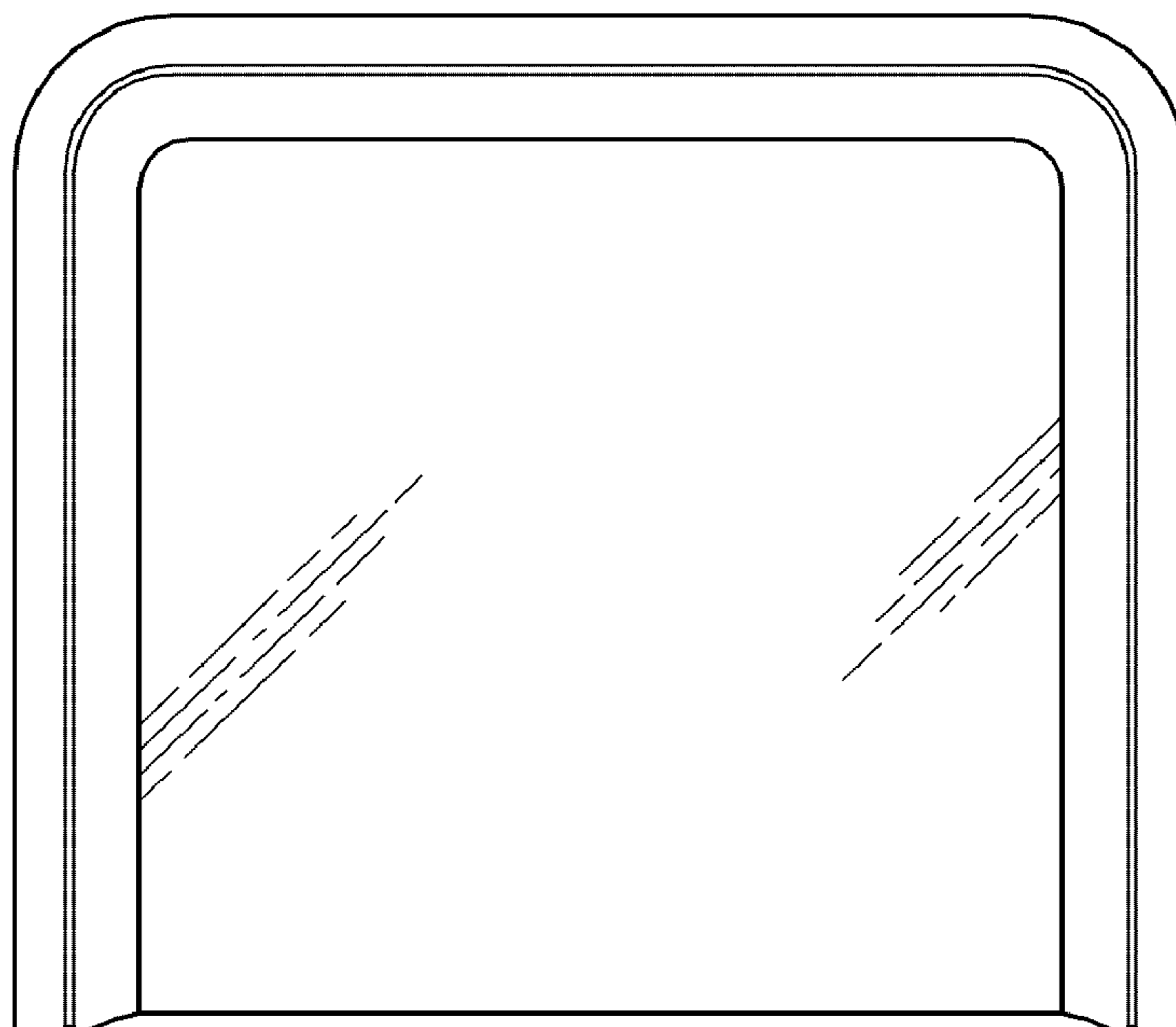


FIG. 4

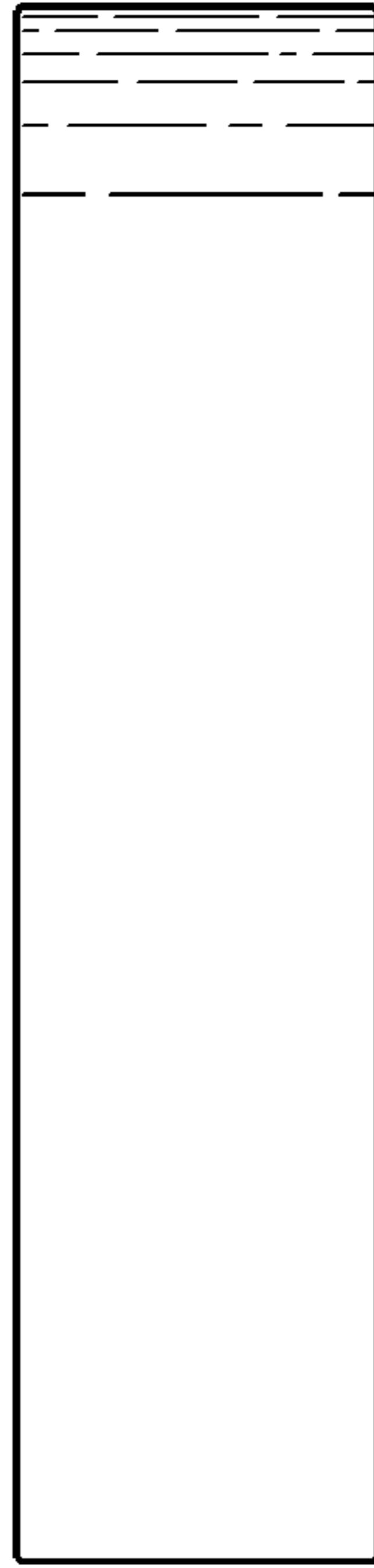


FIG. 5

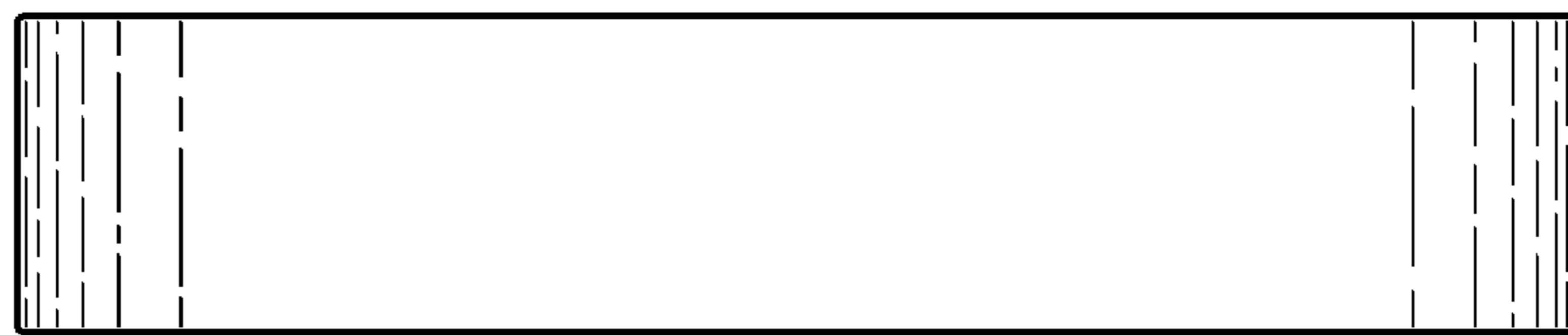


FIG. 6

