



US00D643497S

(12) **United States Design Patent**
Fitzpatrick et al.

(10) **Patent No.:** **US D643,497 S**

(45) **Date of Patent:** **** *Aug. 16, 2011**

(54) **ANGLED FORE GRIP FOR A FIREARM**

(75) Inventors: **Richard M. Fitzpatrick**, Longmont, CO (US); **Eric C. Burt**, Flower Branch, GA (US); **Michael Mayberry**, Denver, CO (US); **Travis D. Haley**, Montrose, CO (US); **Bran Abbot**, Salem, OR (US); **Michael Morgan**, Windsor, CO (US)

(73) Assignee: **Magpul Industries Corp.**, Boulder, CO (US)

(*) Notice: This patent is subject to a terminal disclaimer.

(**) Term: **14 Years**

(21) Appl. No.: **29/346,401**

(22) Filed: **Oct. 30, 2009**

(51) **LOC (9) Cl.** **22-01**

(52) **U.S. Cl.** **D22/108**

(58) **Field of Classification Search** D22/100,
D22/108, 109, 110, 199; 42/11, 113, 116,
42/119, 124, 125, 127, 90, 145, 128, 72,
42/106, 114, 85, 75.02, 71.01; 248/201,
248/205.1

See application file for complete search history.

(56) **References Cited**

U.S. PATENT DOCUMENTS

D300,767 S * 4/1989 Andreassen et al. D22/124
6,782,791 B2 * 8/2004 Moore 89/1.4
D585,517 S * 1/2009 Faifer et al. D22/108
2009/0194088 A1 * 8/2009 Tippmann et al. 124/74
2010/0031552 A1 * 2/2010 Houde-Walter 42/72

FOREIGN PATENT DOCUMENTS

GB 2206188 A * 12/1988

* cited by examiner

Primary Examiner — T. Chase Nelson

Assistant Examiner — Michael A Pratt

(74) *Attorney, Agent, or Firm* — Geoffrey E. Dobbin

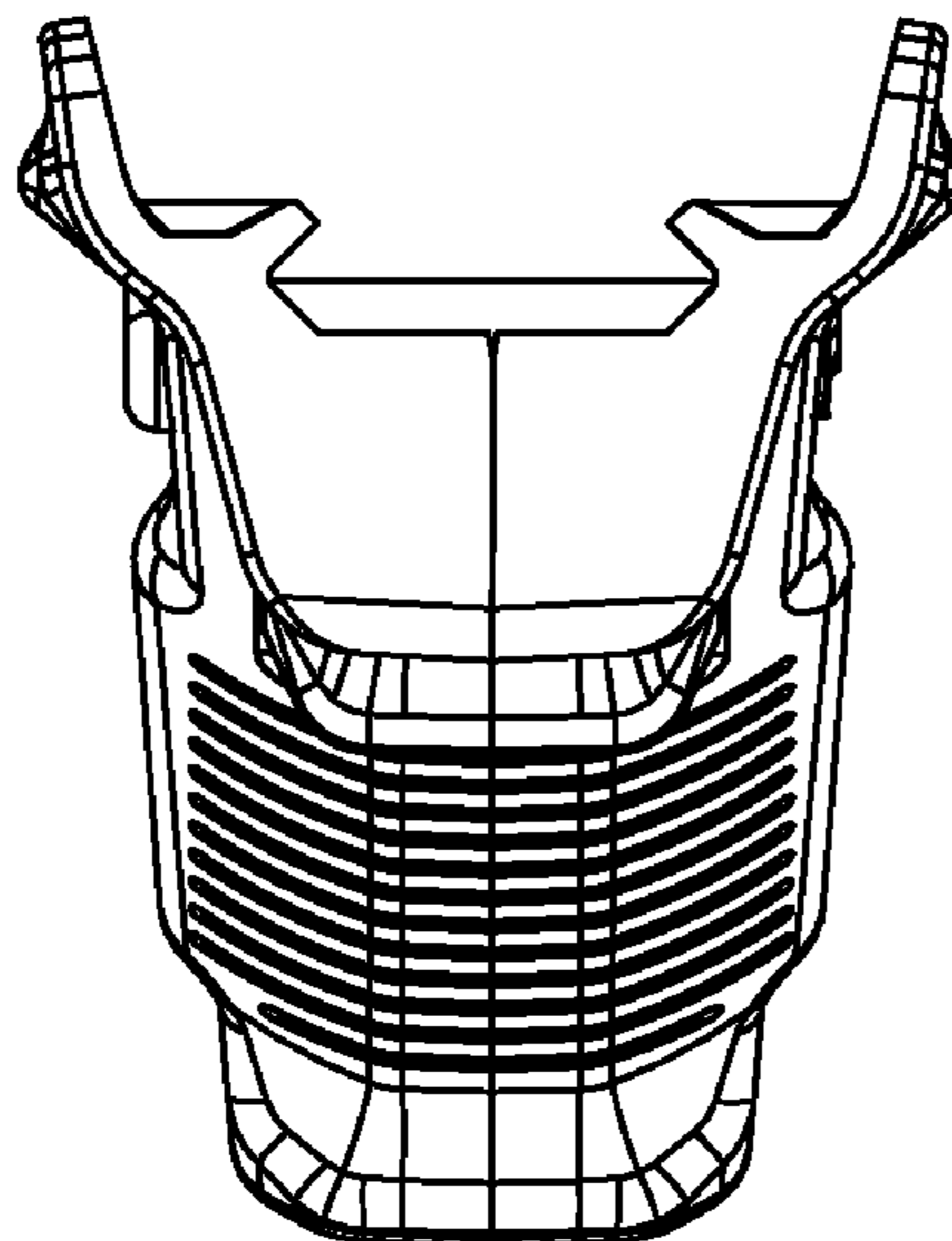
(57) **CLAIM**

The ornamental design for the angled fore grip for a firearm, as shown and described.

DESCRIPTION

FIG. 1 is a front elevation of the angled fore grip for a firearm. FIG. 2 is a rear elevation of the angled fore grip for a firearm. FIG. 3 is a bottom/right/front perspective view of the angled fore grip for a firearm. FIG. 4 is a left elevation of the angled fore grip for a firearm. FIG. 5 is a right elevation of the angled fore grip for a firearm. FIG. 6 is a bottom plan view of the angled fore grip for a firearm. FIG. 7 is a top plan view of the angled fore grip for a firearm. FIG. 8 is a bottom/left/rear perspective view of the angled fore grip for a firearm. FIG. 9 is a bottom/left/front perspective view of the angled fore grip for a firearm. FIG. 10 is a top/left/front perspective view of the angled fore grip for a firearm. FIG. 11 is a top/left/rear perspective view of the angled fore grip for a firearm. FIG. 12 is a top/right/front perspective view of the angled fore grip for a firearm. FIG. 13 is a top/right/rear perspective view of the angled fore grip for a firearm; and, FIG. 14 is a bottom/right/rear perspective view of the angled fore grip for a firearm.

1 Claim, 7 Drawing Sheets



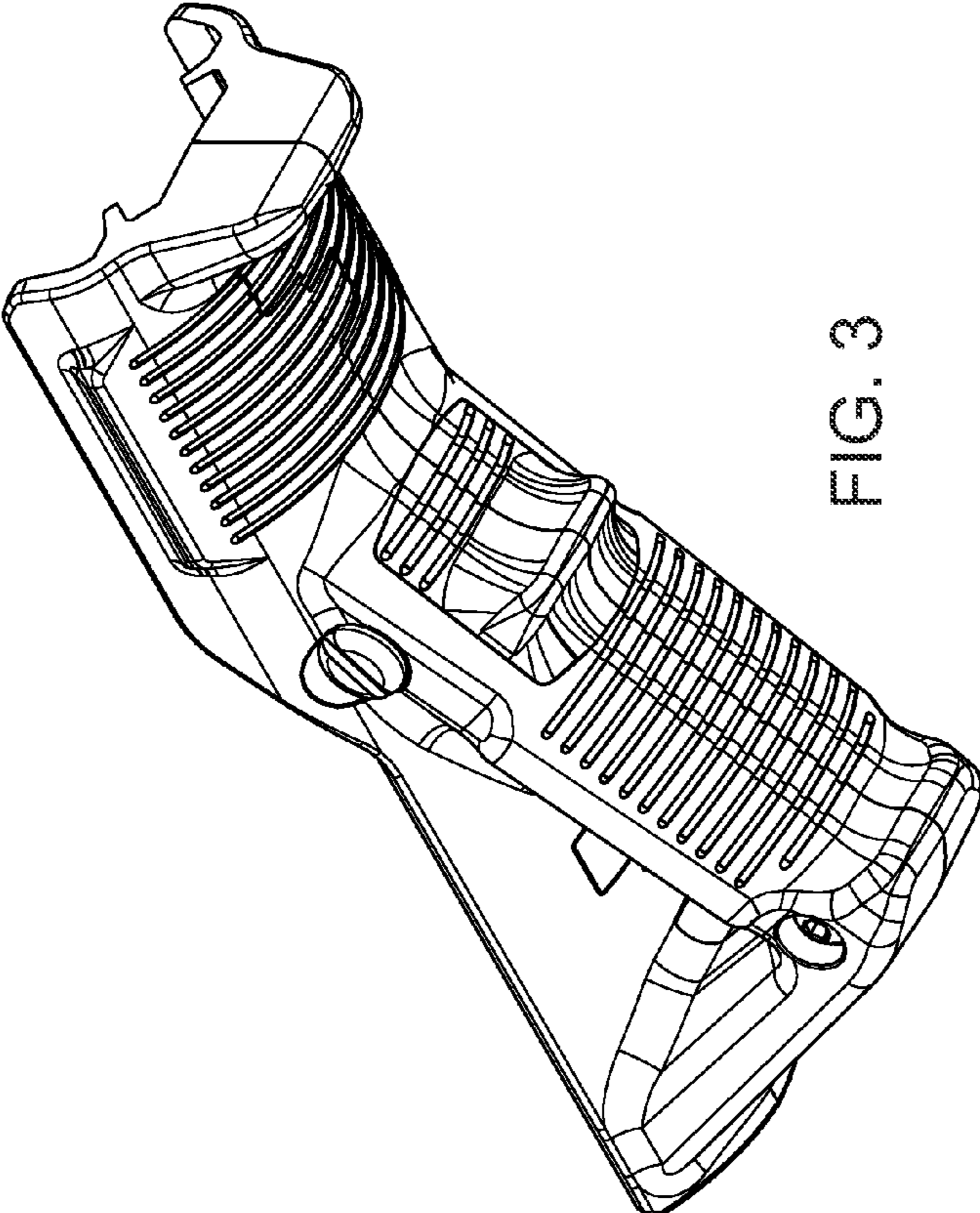


FIG. 3

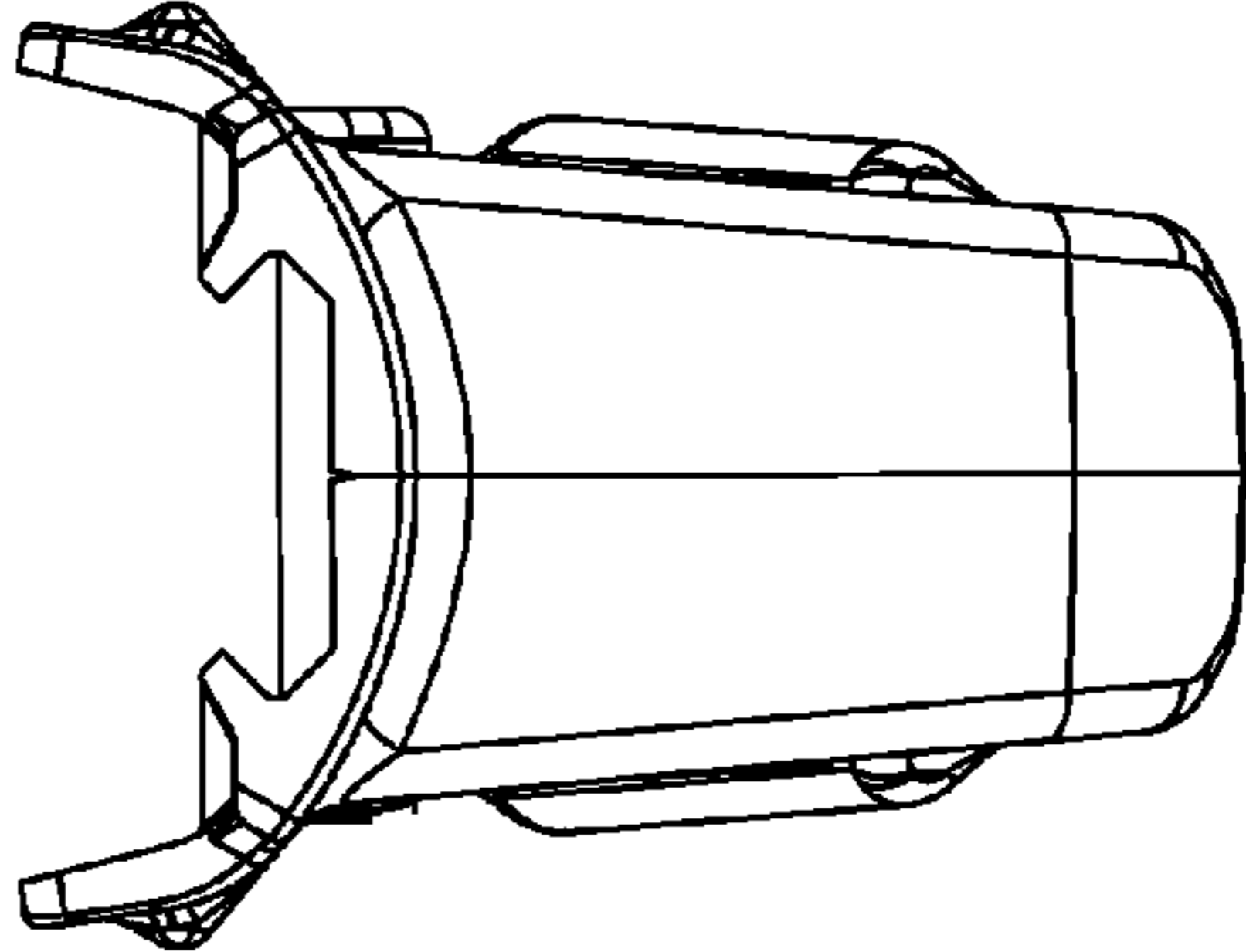


FIG. 2

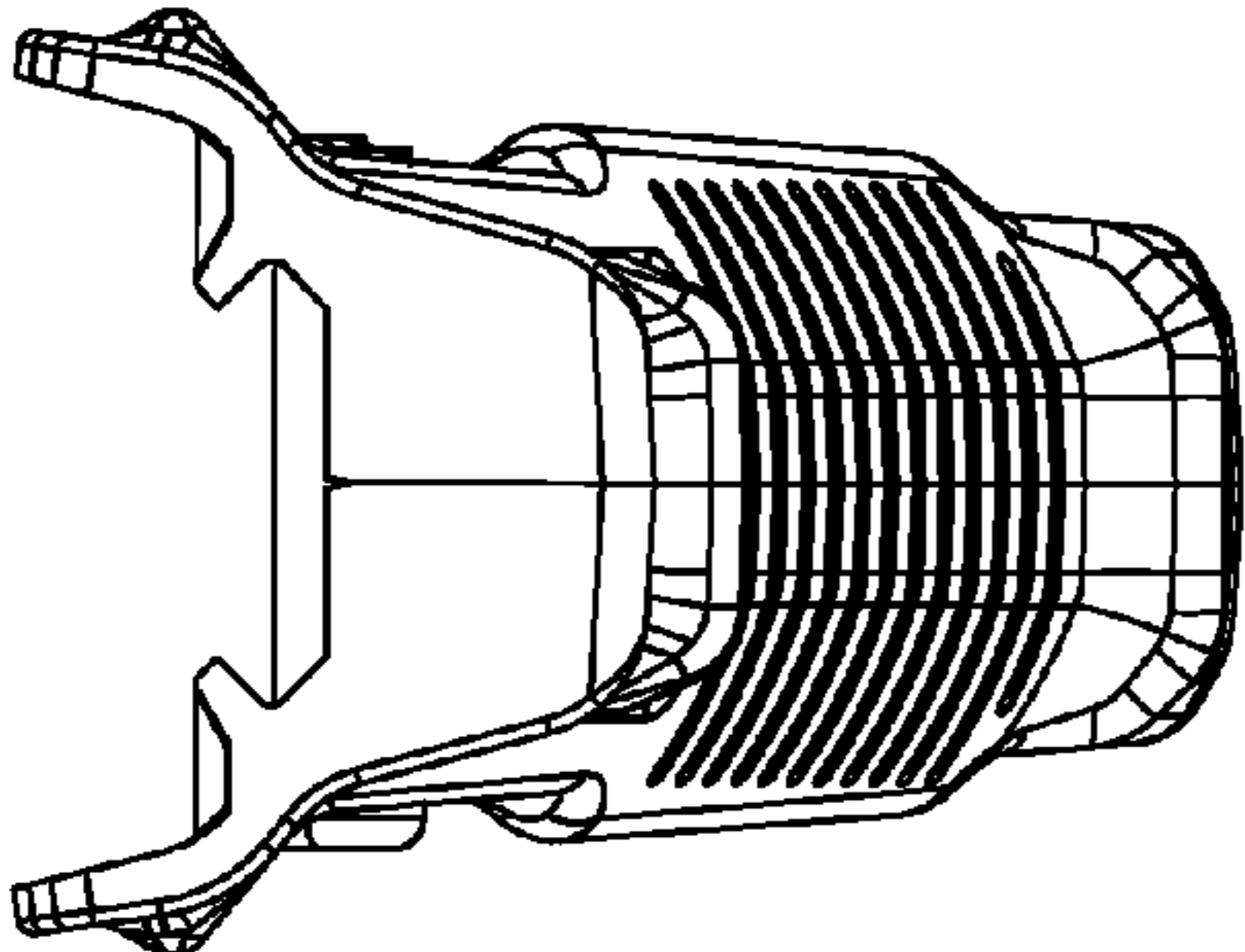


FIG. 1

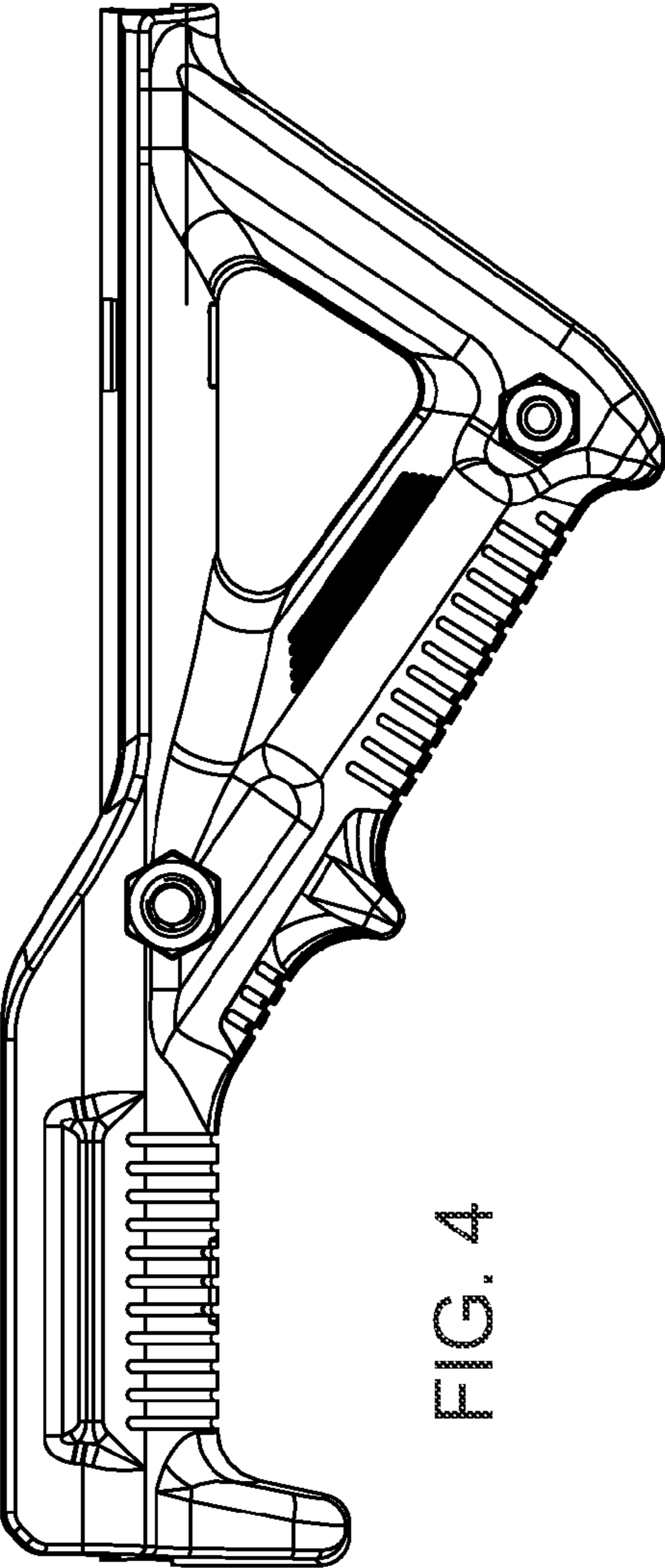


FIG. 4

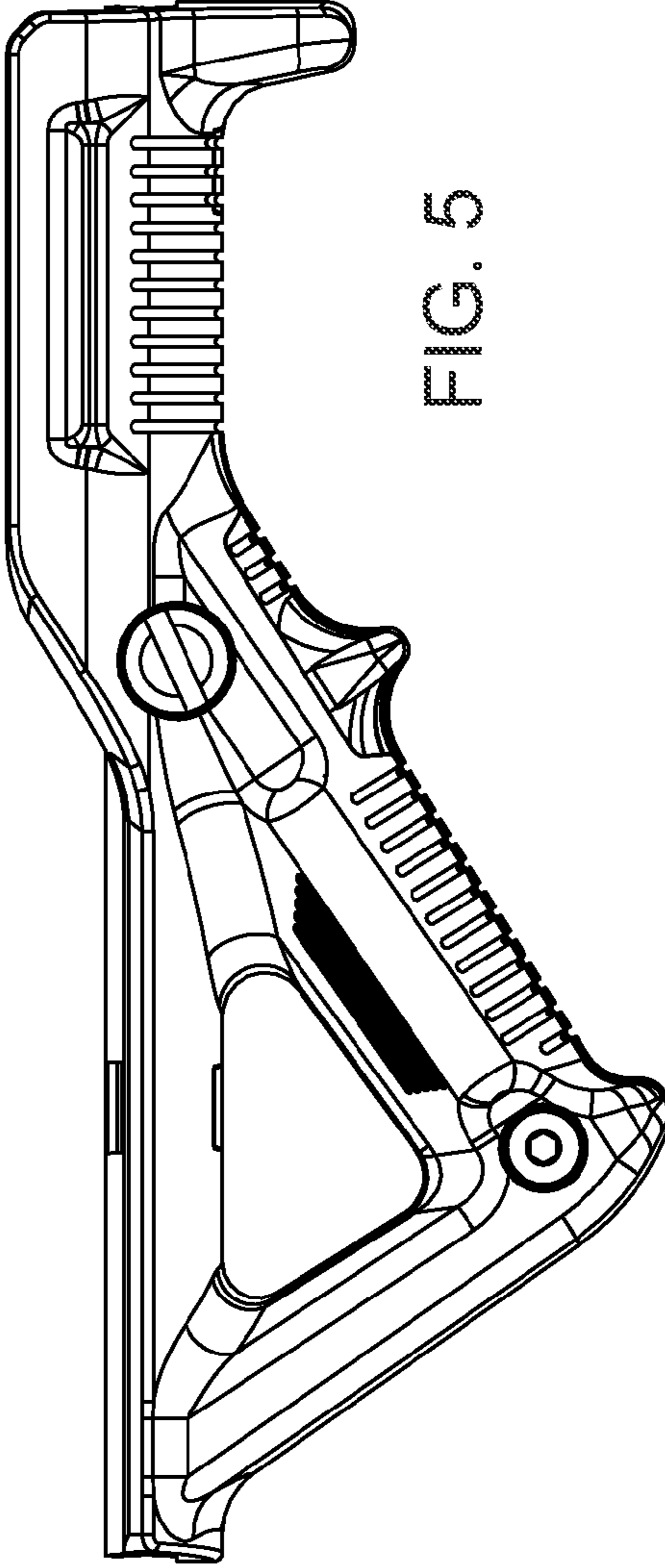


FIG. 5

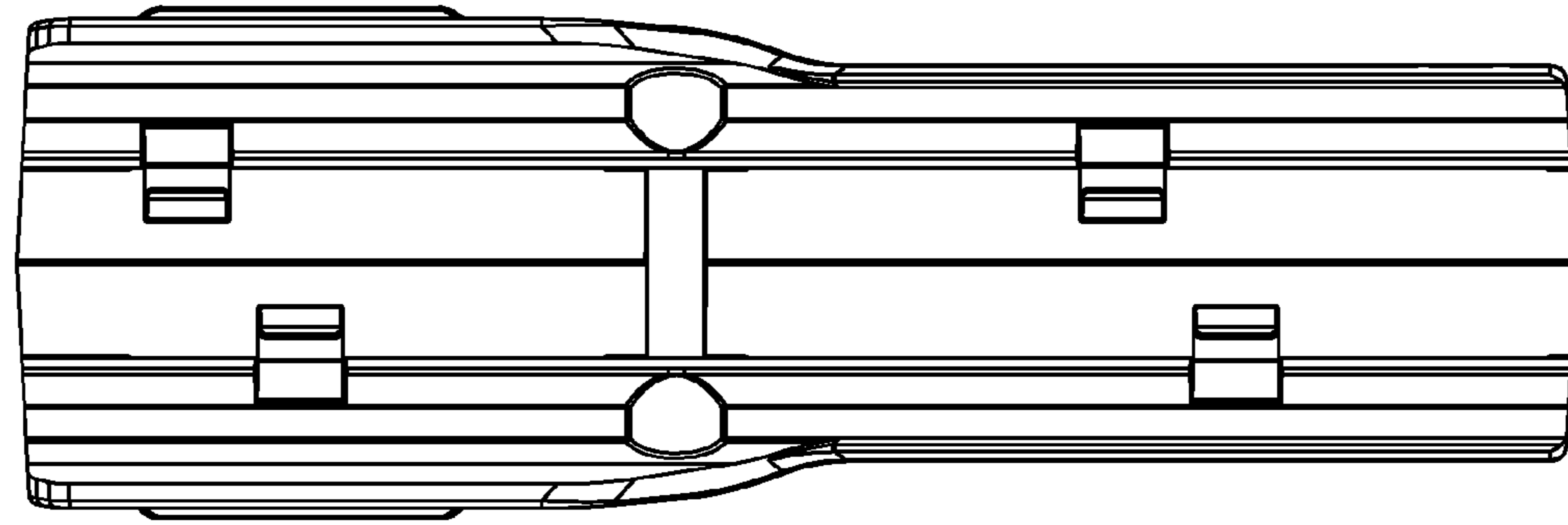


FIG. 7

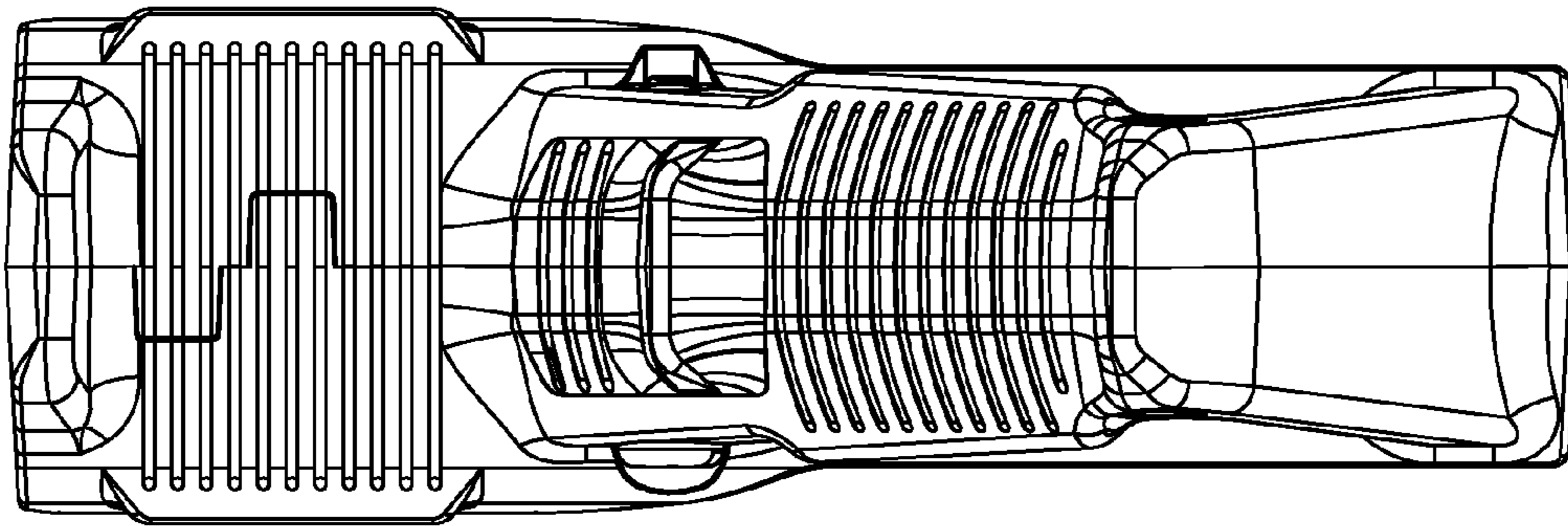


FIG. 6

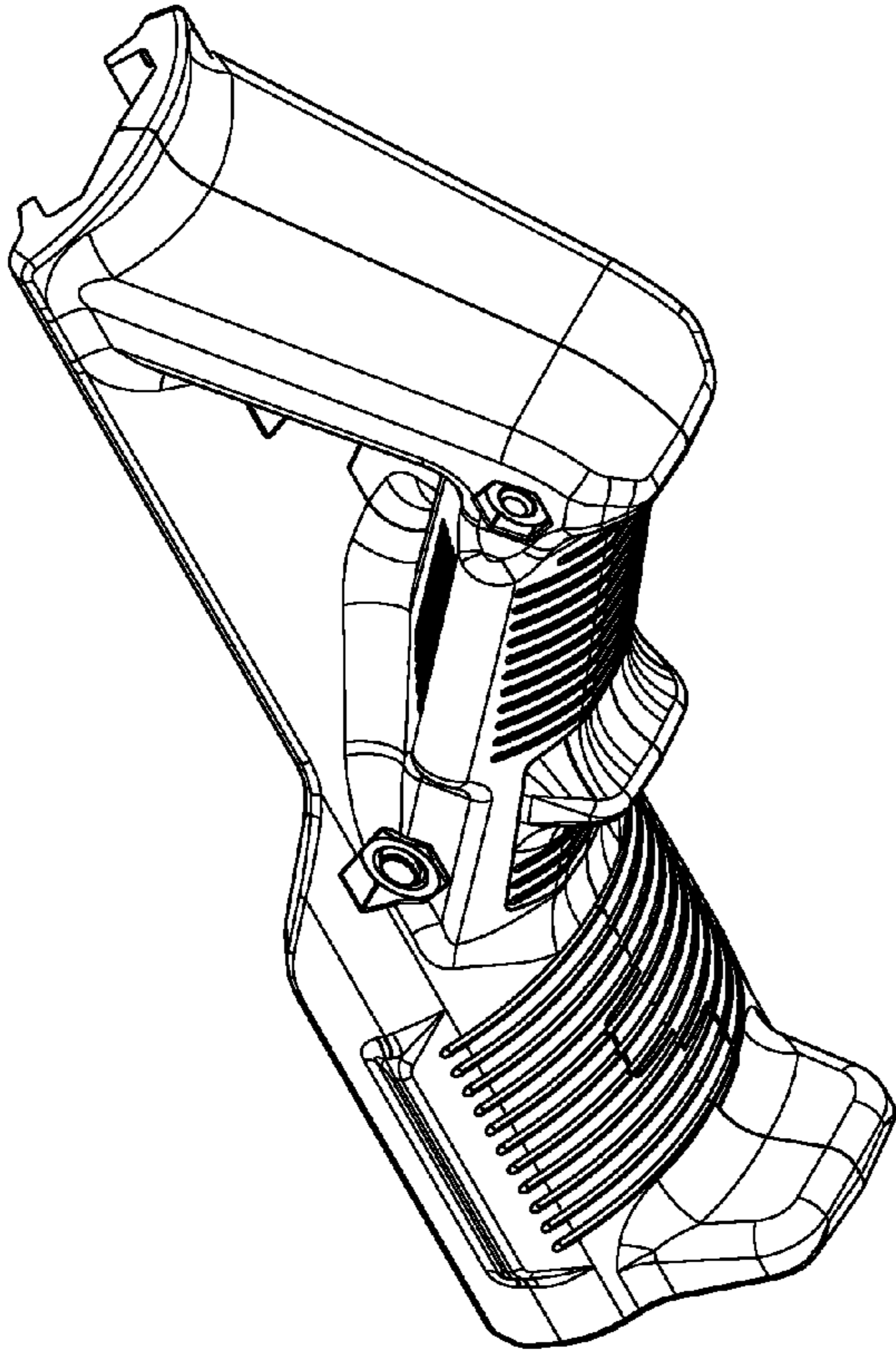


FIG. 8

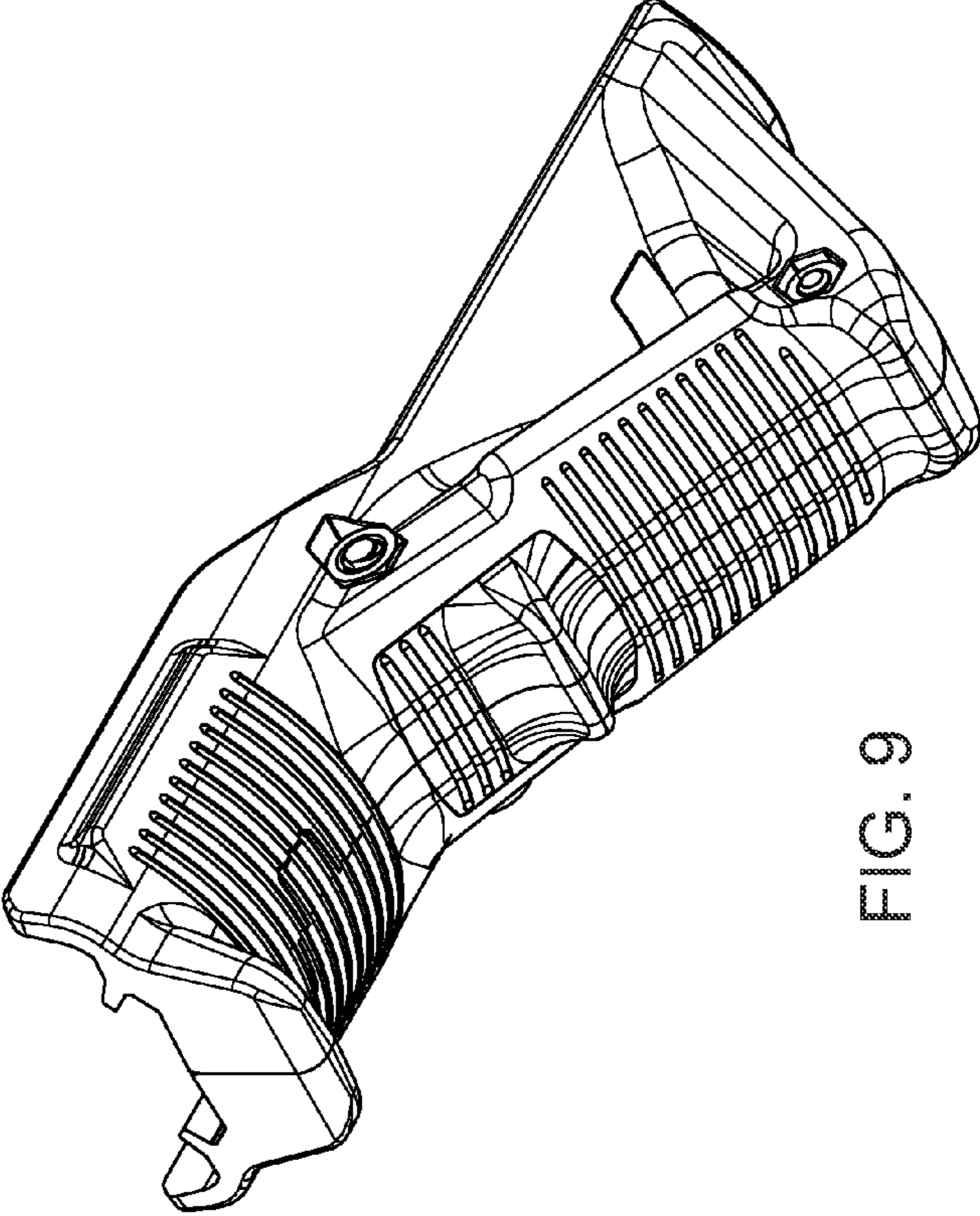


FIG. 9

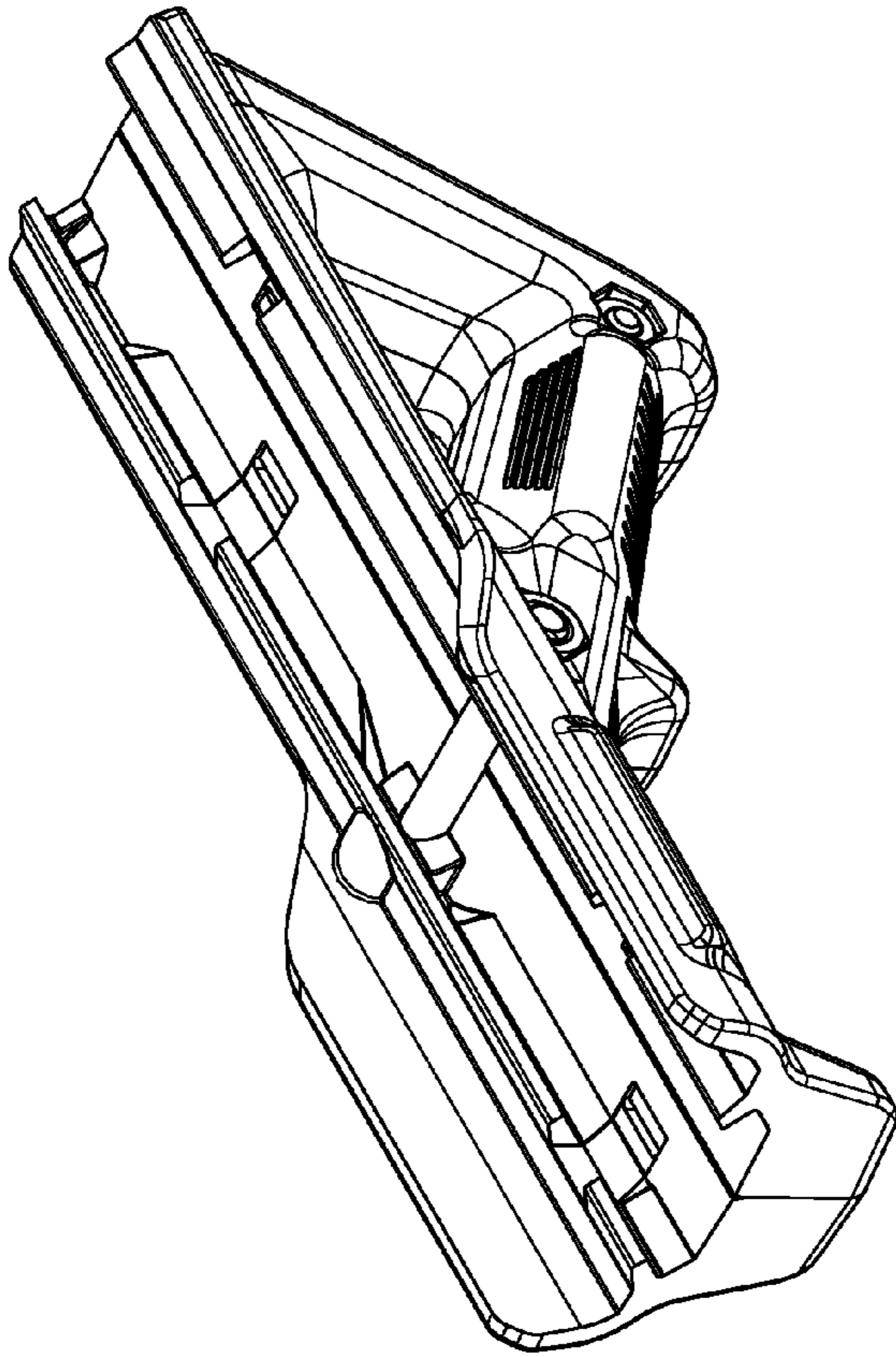


FIG. 10

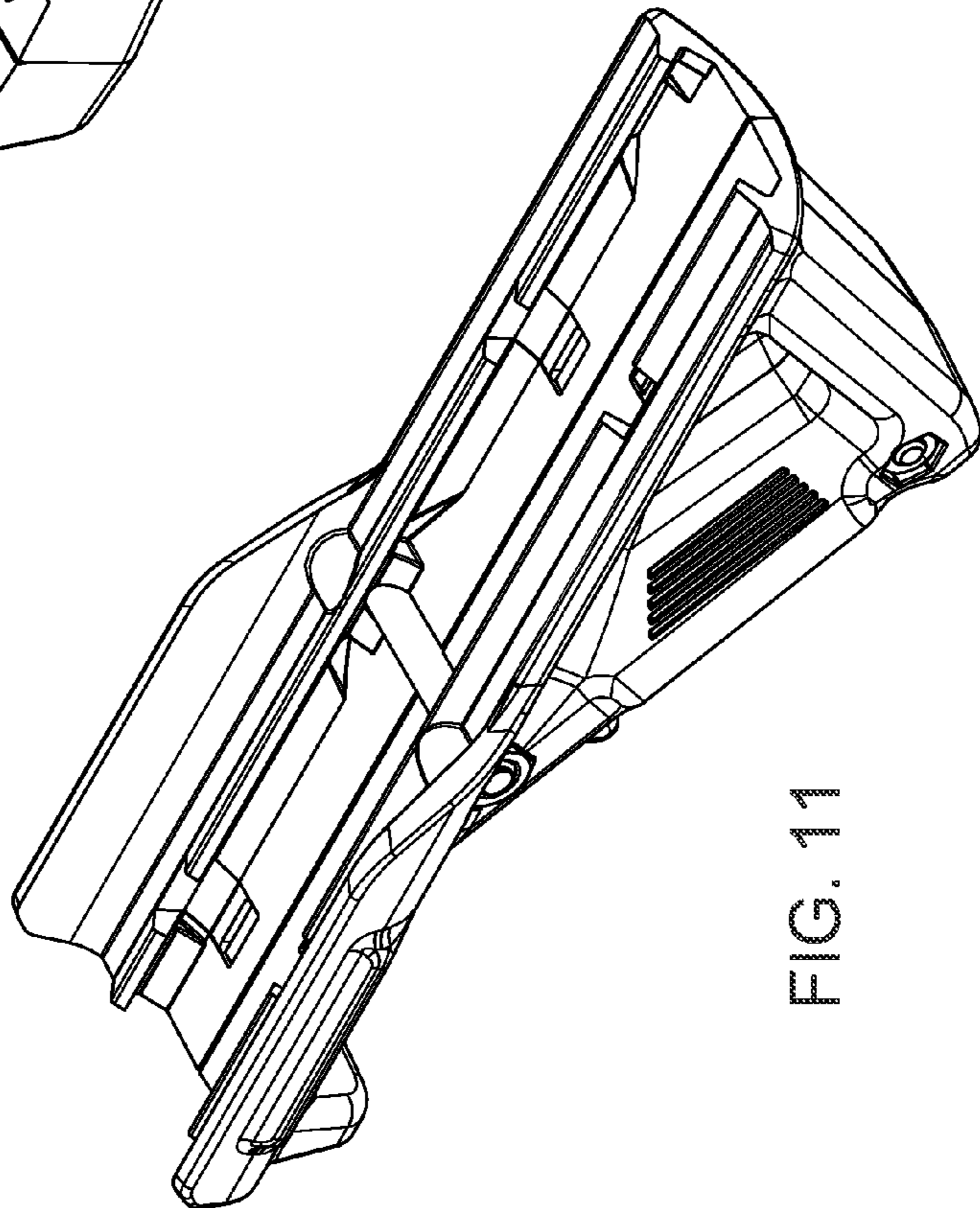


FIG. 11

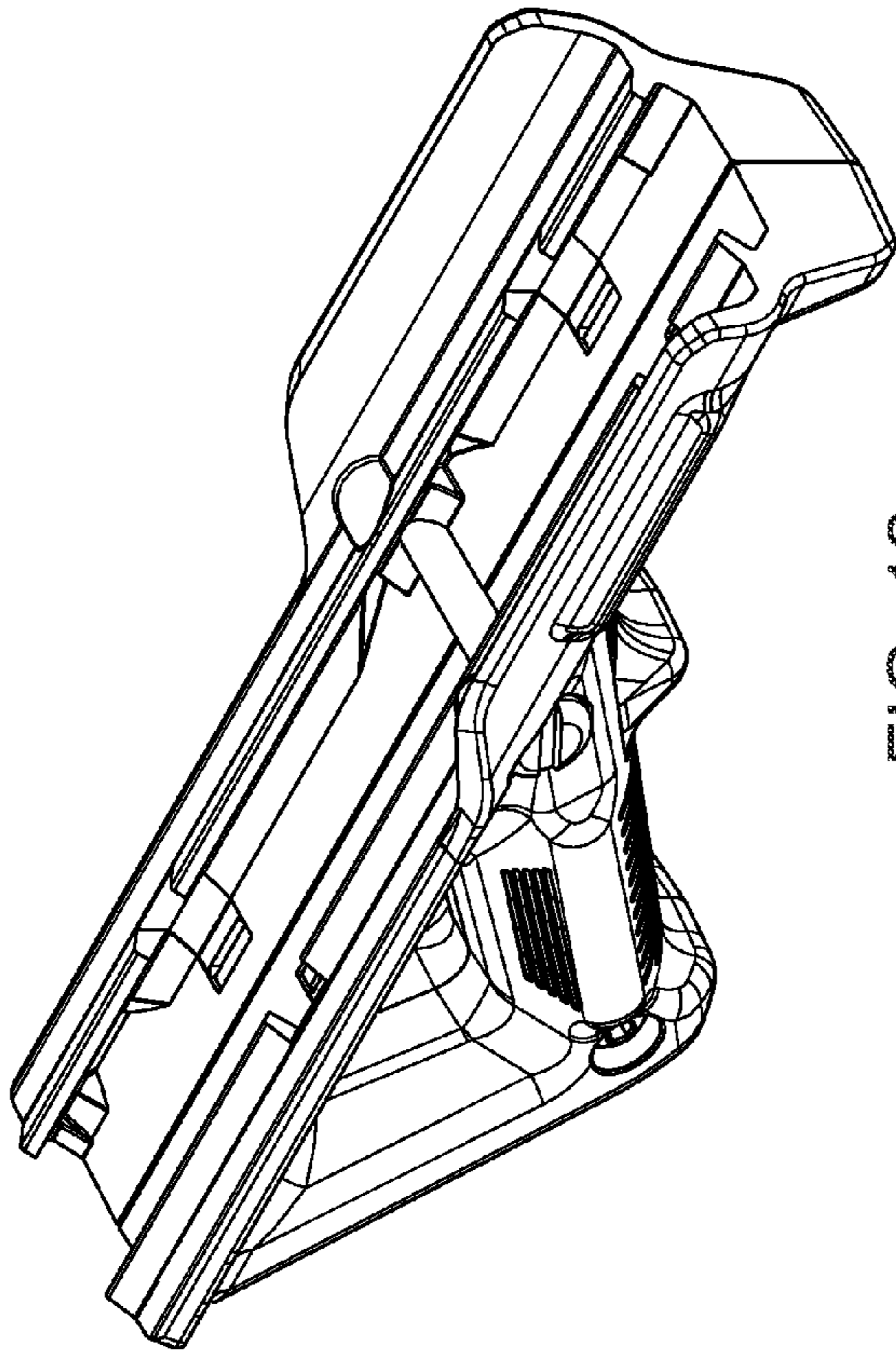


FIG. 12

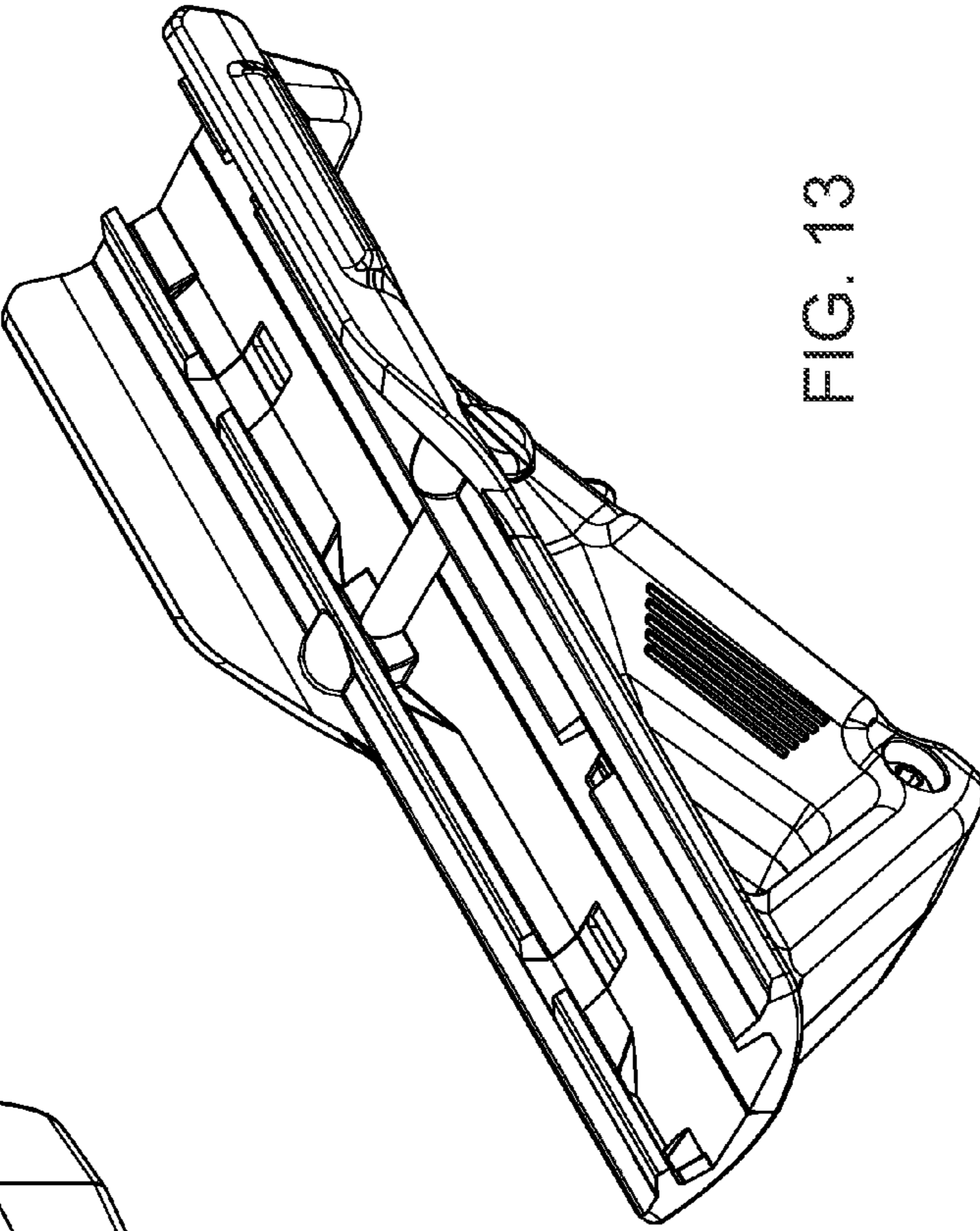


FIG. 13

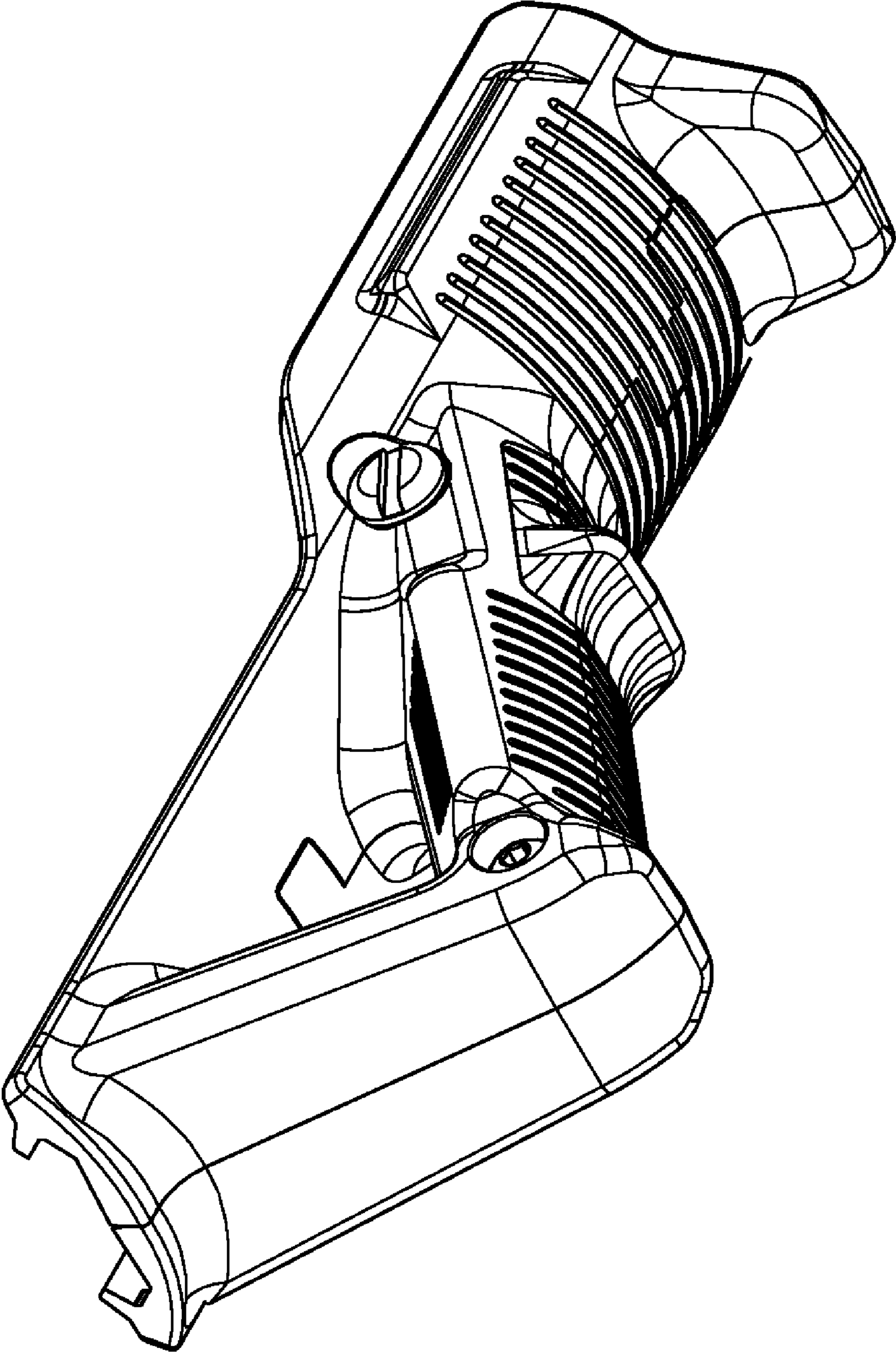


FIG. 14