



US00D643496S

(12) **United States Design Patent**  
**Bandini**

(10) **Patent No.:** **US D643,496 S**

(45) **Date of Patent:** **\*\* Aug. 16, 2011**

(54) **TENT**

(75) **Inventor:** **Vittorio Bandini**, Forli' (IT)

(73) **Assignee:** **Velombra S.R.L.**, Forli' (IT)

(\*\*) **Term:** **14 Years**

(21) **Appl. No.:** **29/311,915**

(22) **Filed:** **Jul. 31, 2009**

(30) **Foreign Application Priority Data**

Feb. 9, 2009 (EM) ..... 001084669

(51) **LOC (9) Cl.** ..... **21-04**

(52) **U.S. Cl.** ..... **D21/837**

(58) **Field of Classification Search** ..... D21/834,  
D21/836, 837, 838, 839; D3/5, 6, 10, 16;  
D25/18, 56, 57; 135/87, 96, 98, 99, 117,  
135/121, 122, 124, 125, 141, 15.1, 16, 20.1  
See application file for complete search history.

(56) **References Cited**

**U.S. PATENT DOCUMENTS**

D199,887 S *	12/1964	Mermelstein	.....	D25/56
D233,745 S *	11/1974	Sumner	.....	D25/18
D233,749 S *	11/1974	Sumner	.....	D25/56
3,861,410 A *	1/1975	Cognet	.....	135/15.1
D241,334 S *	9/1976	Howard	.....	D25/56
D255,958 S *	7/1980	Browning	.....	D3/5
4,540,010 A *	9/1985	May	.....	135/99

4,836,231 A *	6/1989	Peterson	.....	135/117
5,441,068 A *	8/1995	Rasch et al.	.....	135/98
D443,409 S *	6/2001	Pilz et al.	.....	D3/5
D459,871 S *	7/2002	Persson	.....	D3/5
D481,802 S *	11/2003	Shilling et al.	.....	D25/56
D497,478 S *	10/2004	Clarke	.....	D3/5
D502,800 S *	3/2005	Snyders	.....	D3/5
D516,294 S *	3/2006	Olson et al.	.....	D3/5
D522,605 S *	6/2006	Bishirjian	.....	D21/837
D530,023 S *	10/2006	Haymann et al.	.....	D25/56
D530,433 S *	10/2006	Haymann et al.	.....	D25/56
D530,827 S *	10/2006	Haymann et al.	.....	D25/56
D530,829 S *	10/2006	Haymann et al.	.....	D25/56
D605,308 S *	12/2009	Combs	.....	D25/56
2008/0041431 A1 *	2/2008	Tung	.....	135/90

\* cited by examiner

*Primary Examiner* — Cynthia M Chin

(74) *Attorney, Agent, or Firm* — Modiano & Associati;  
Albert Josif; Daniel J. O'Byrne

(57) **CLAIM**

The ornamental design for a tent, as shown.

**DESCRIPTION**

FIG. 1 is a front side perspective view from above of a tent showing my new design;

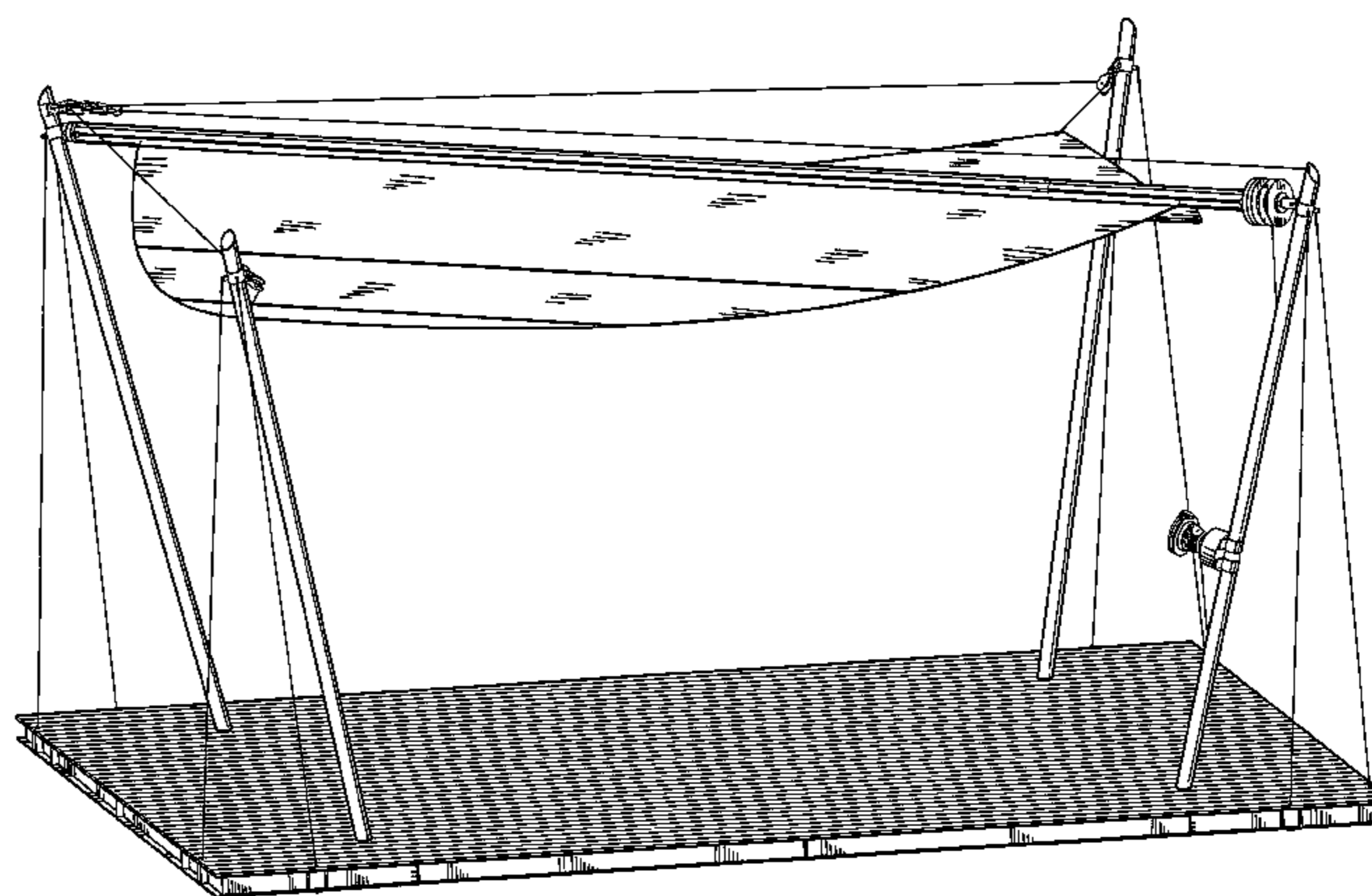
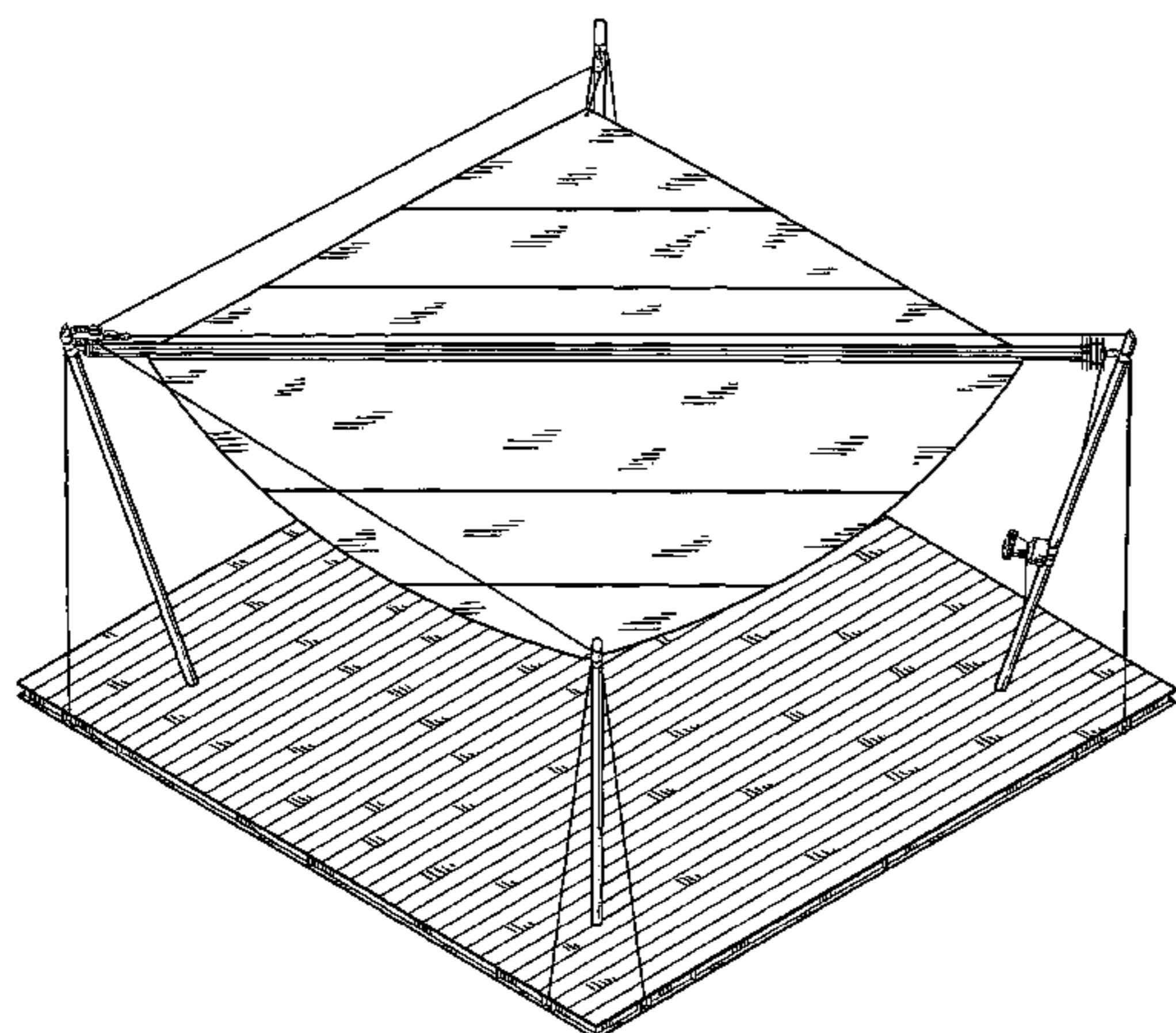
FIG. 2 is a front view thereof;

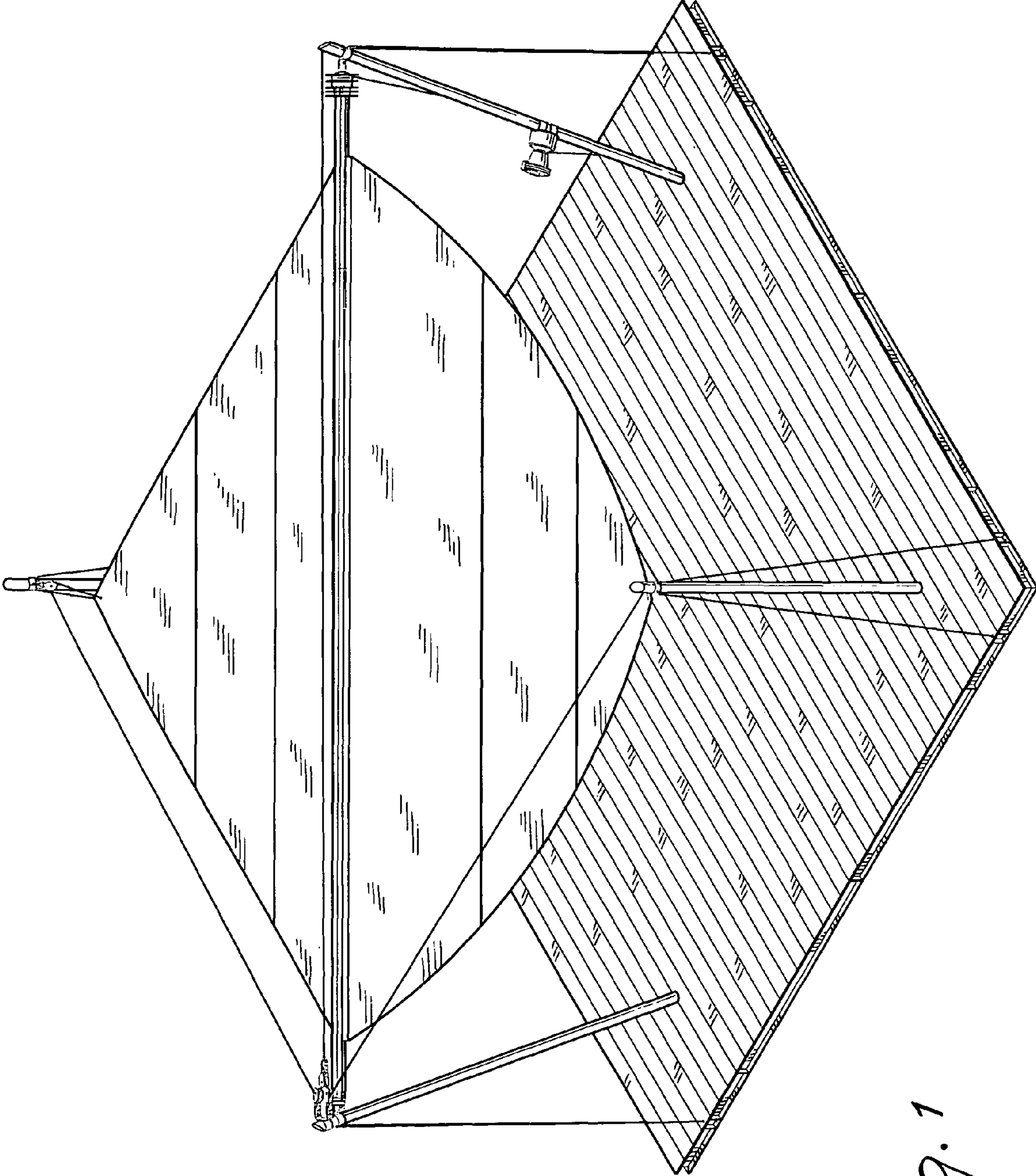
FIG. 3 is a side view thereof;

FIG. 4 is a top view thereof; and,

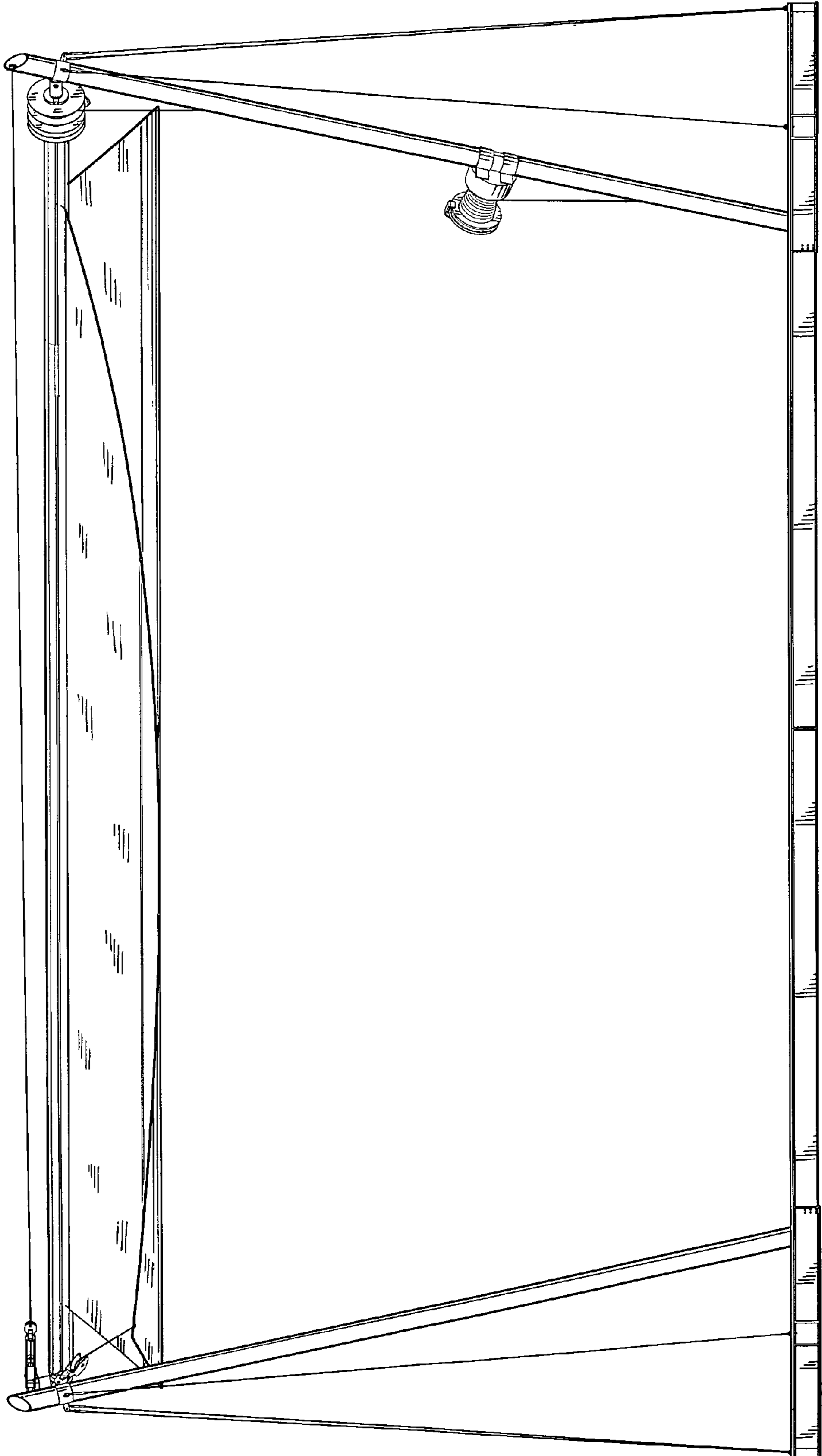
FIG. 5 is a further front side perspective view from above thereof.

**1 Claim, 5 Drawing Sheets**



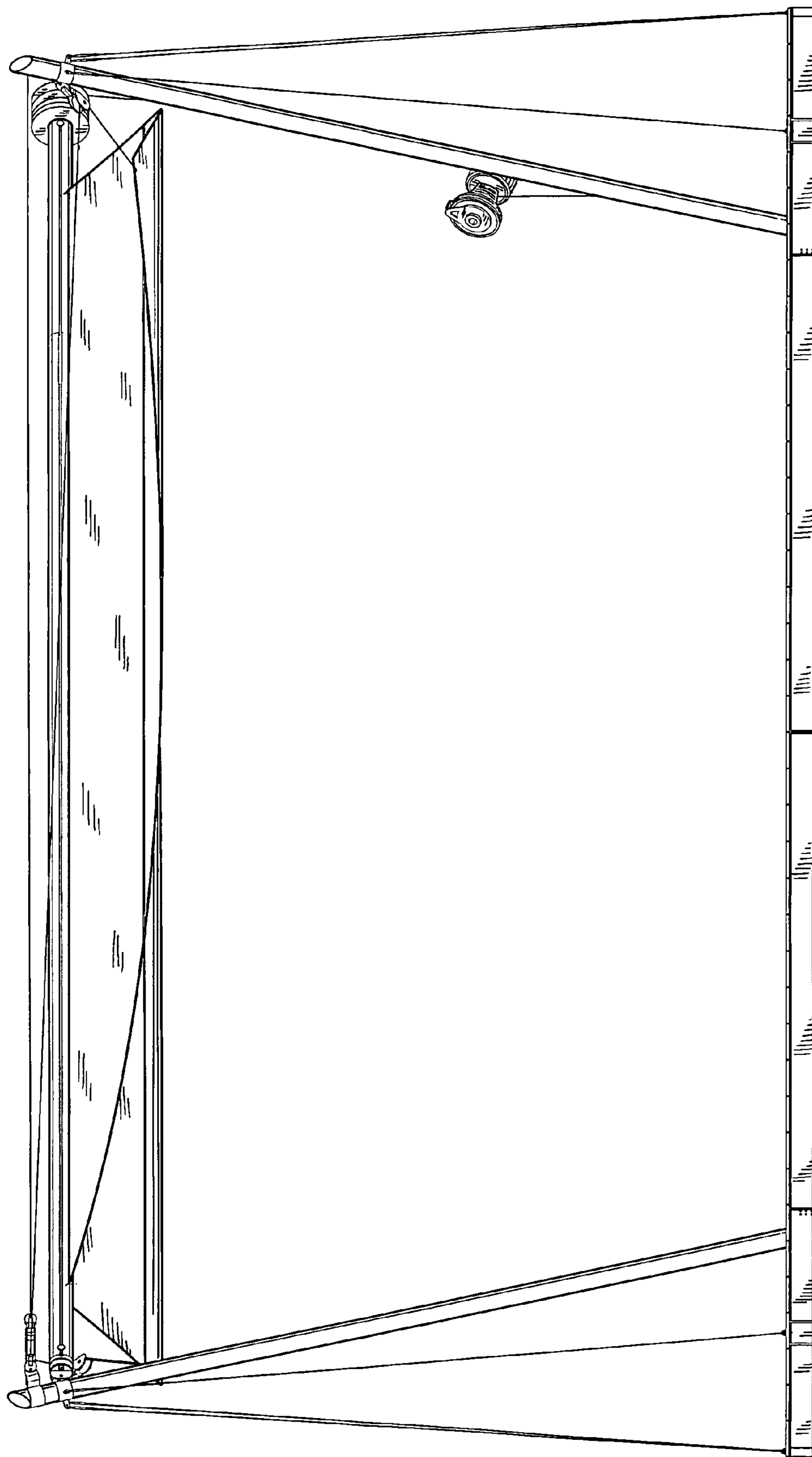


*Fig. 1*



*Fig. 2*





*Fig. 3*

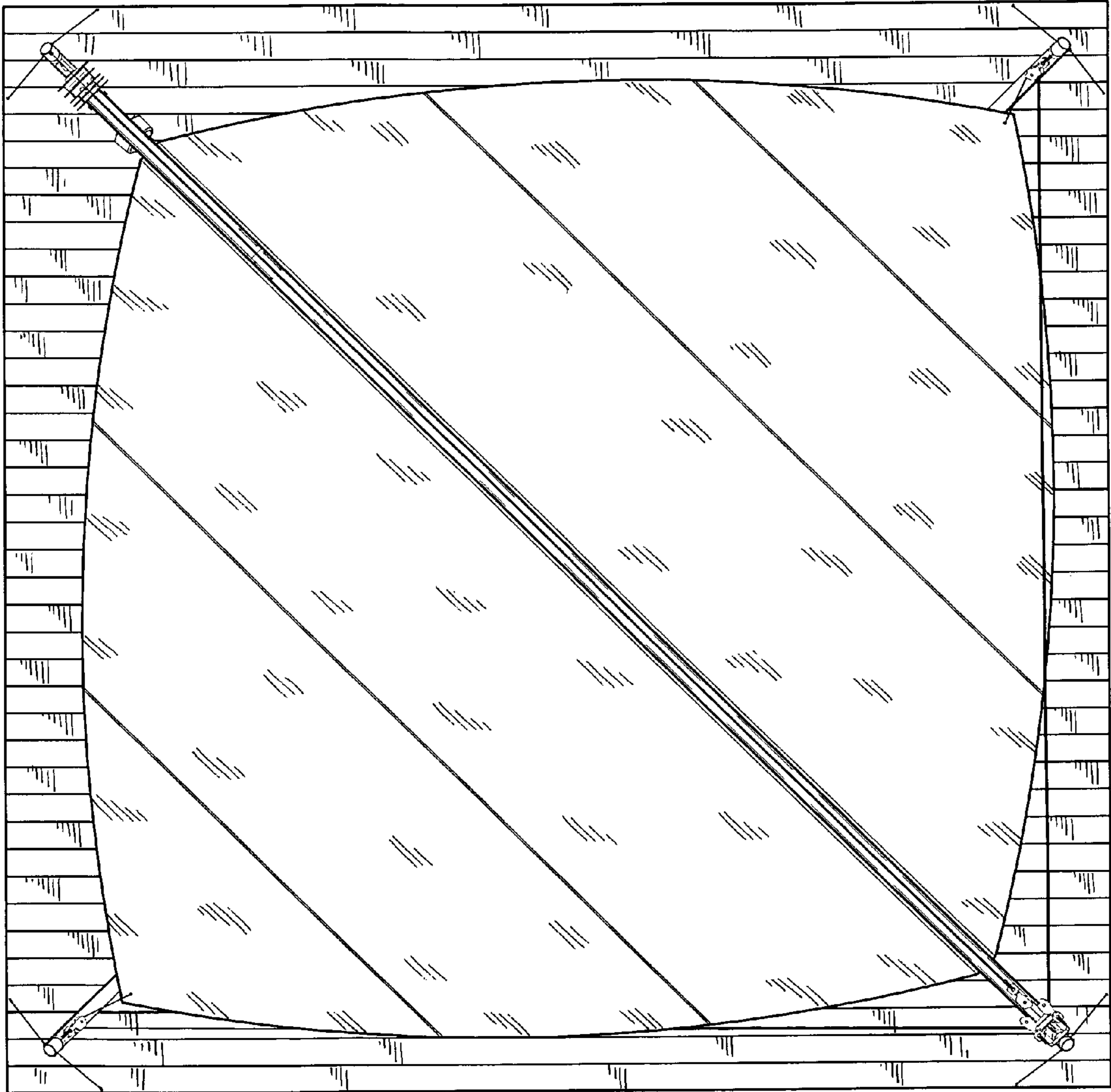
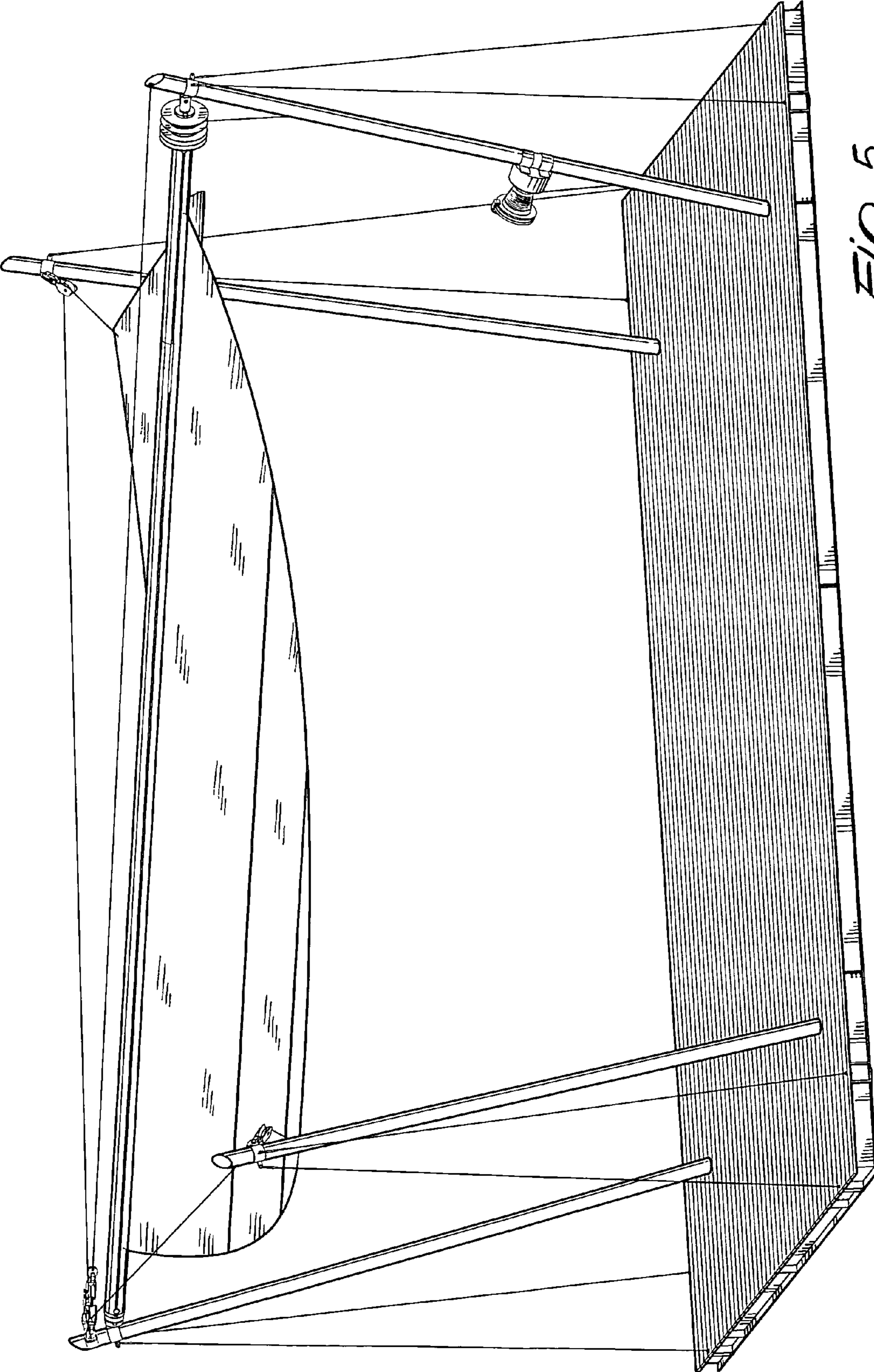


Fig. 4



*FIG. 5*