



US00D643495S

(12) **United States Design Patent**  
**Marciano**

(10) **Patent No.:** **US D643,495 S**

(45) **Date of Patent:** **\*\* Aug. 16, 2011**

(54) **RECREATIONAL FLOTATION DEVICE**

(75) **Inventor:** **Ralph C. Marciano**, Riverside, RI (US)

(73) **Assignee:** **Aqua-Leisure Industries, Inc.**, Avon, MA (US)

(\*\*) **Term:** **14 Years**

(21) **Appl. No.:** **29/346,672**

(22) **Filed:** **Nov. 4, 2009**

(51) **LOC (9) Cl.** ..... **21-02**

(52) **U.S. Cl.** ..... **D21/803**

(58) **Field of Classification Search** ..... D21/769-770,  
D21/801, 803, 809; D6/392, 596, 601, 604;  
472/128-129; D12/5, 6, 316; 114/253, 345-346;  
441/35, 66, 40-42, 129-132

See application file for complete search history.

(56) **References Cited**

**U.S. PATENT DOCUMENTS**

D343,220 S *	1/1994	Fireman	.....	D21/803
D384,720 S *	10/1997	Spomer	.....	D21/803
D428,955 S *	8/2000	Peterson	.....	D21/801
D438,838 S *	3/2001	Mele	.....	D12/316
D518,133 S *	3/2006	Peterson	.....	D21/770
D520,092 S *	5/2006	Peterson	.....	D21/770
D549,298 S *	8/2007	Peterson	.....	D21/803

D551,733 S *	9/2007	Peterson	.....	D21/803
D552,202 S *	10/2007	Peterson	.....	D21/803
D562,424 S *	2/2008	McKee	.....	D21/769

\* cited by examiner

*Primary Examiner* — Janice E Seeger

*Assistant Examiner* — Zenia I Bennett

(74) *Attorney, Agent, or Firm* — Lando & Anastasi, LLP

(57) **CLAIM**

The ornamental design for a recreational flotation device, as shown and described.

**DESCRIPTION**

FIG. 1 is a perspective view of the recreational flotation device according to my new design.

FIG. 2 is a top plan view.

FIG. 3 is an elevational view as seen from the lowermost side in FIG. 2.

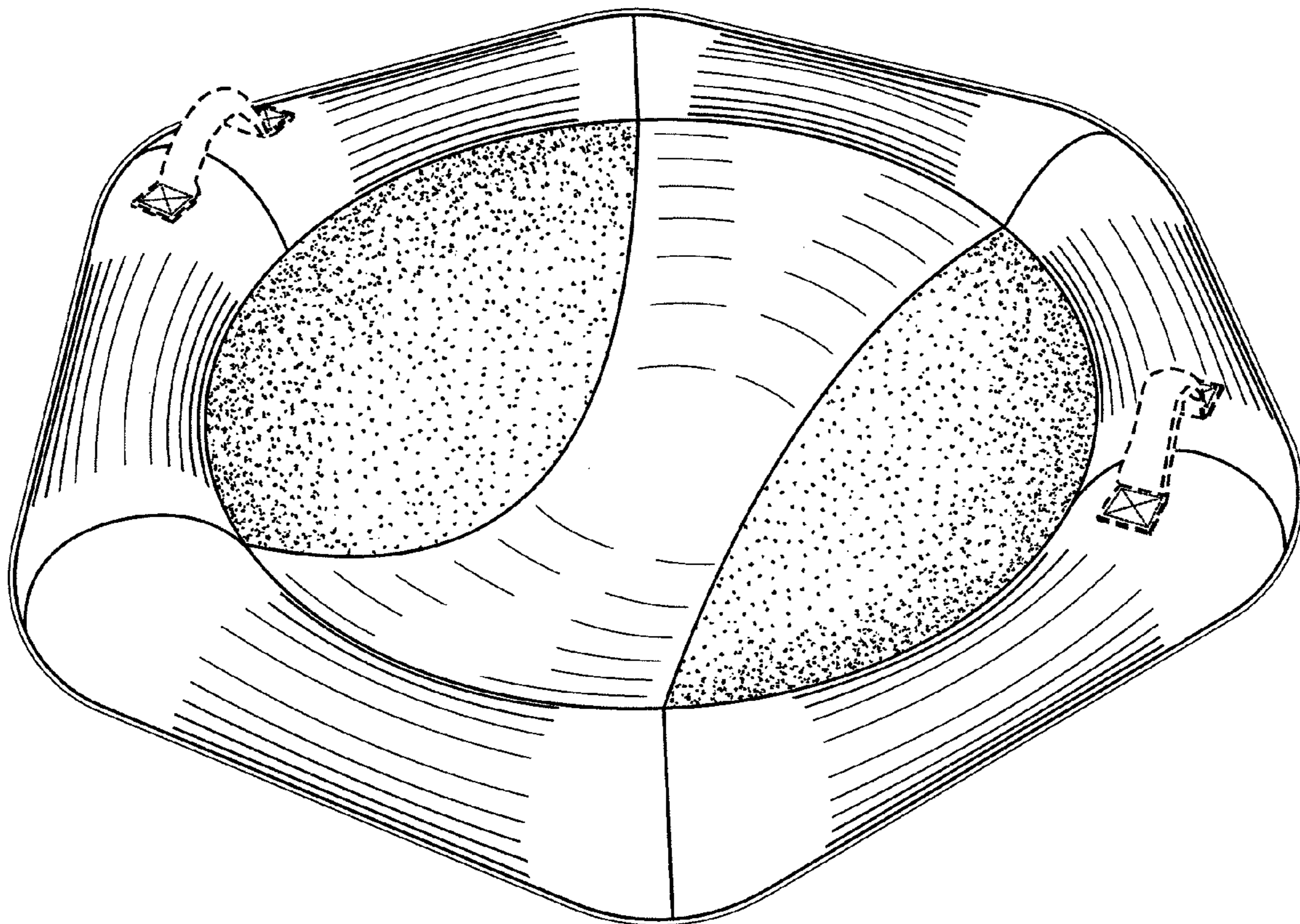
FIG. 4 is a bottom plan view.

FIG. 5 is an elevational view as seen from the lowermost side in FIG. 2; and,

FIG. 6 is an elevational view as seen from the right in FIG. 2. The tiny broken lines shown on the bottom of the claimed design shown in FIGS. 3-6 and shown at the end of each handle in FIGS. 1 and 3 represent stitching.

The broken lines shown in the drawing are for illustrative purposes only and form no part of the claimed design.

**1 Claim, 4 Drawing Sheets**



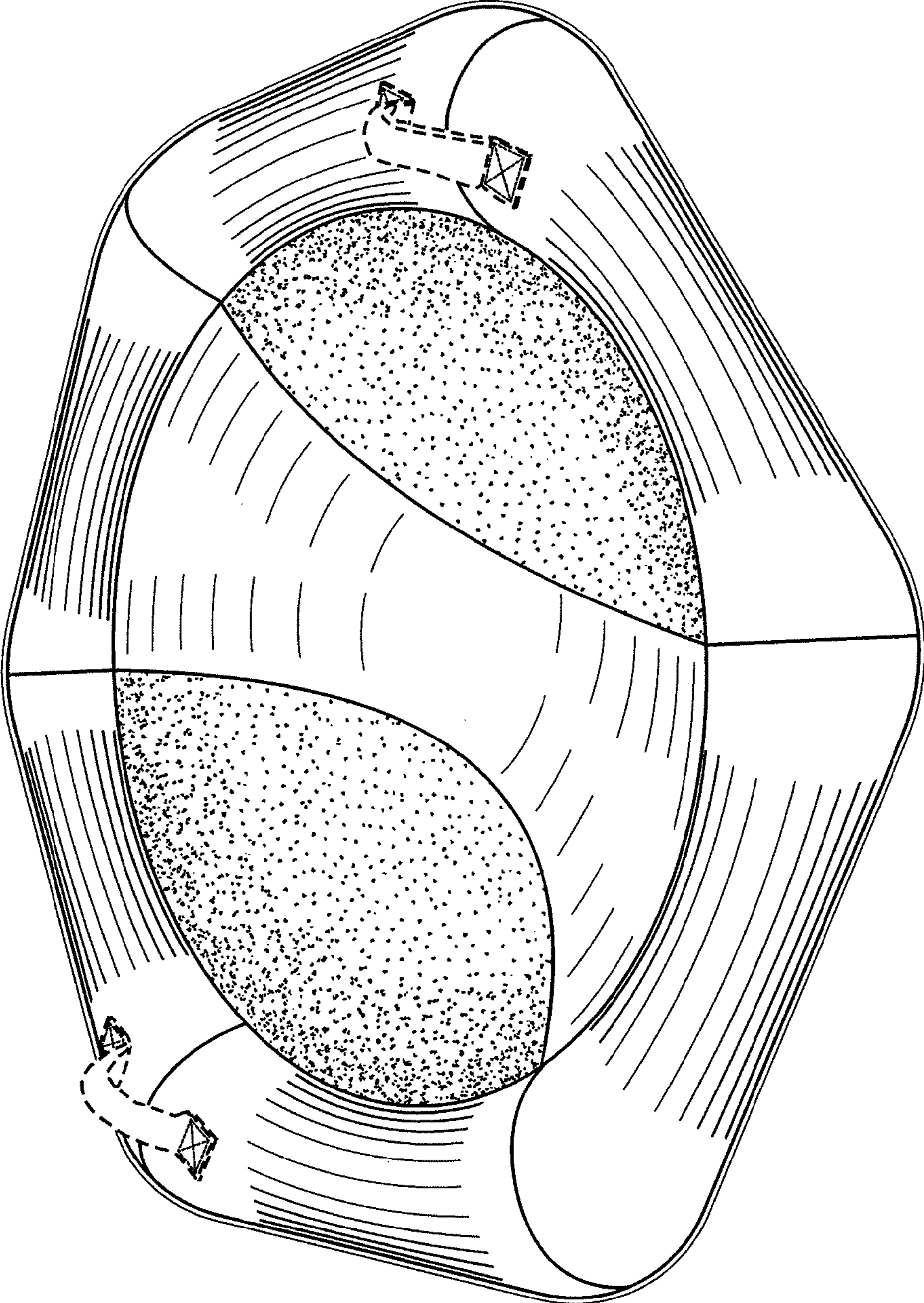


FIG. 1



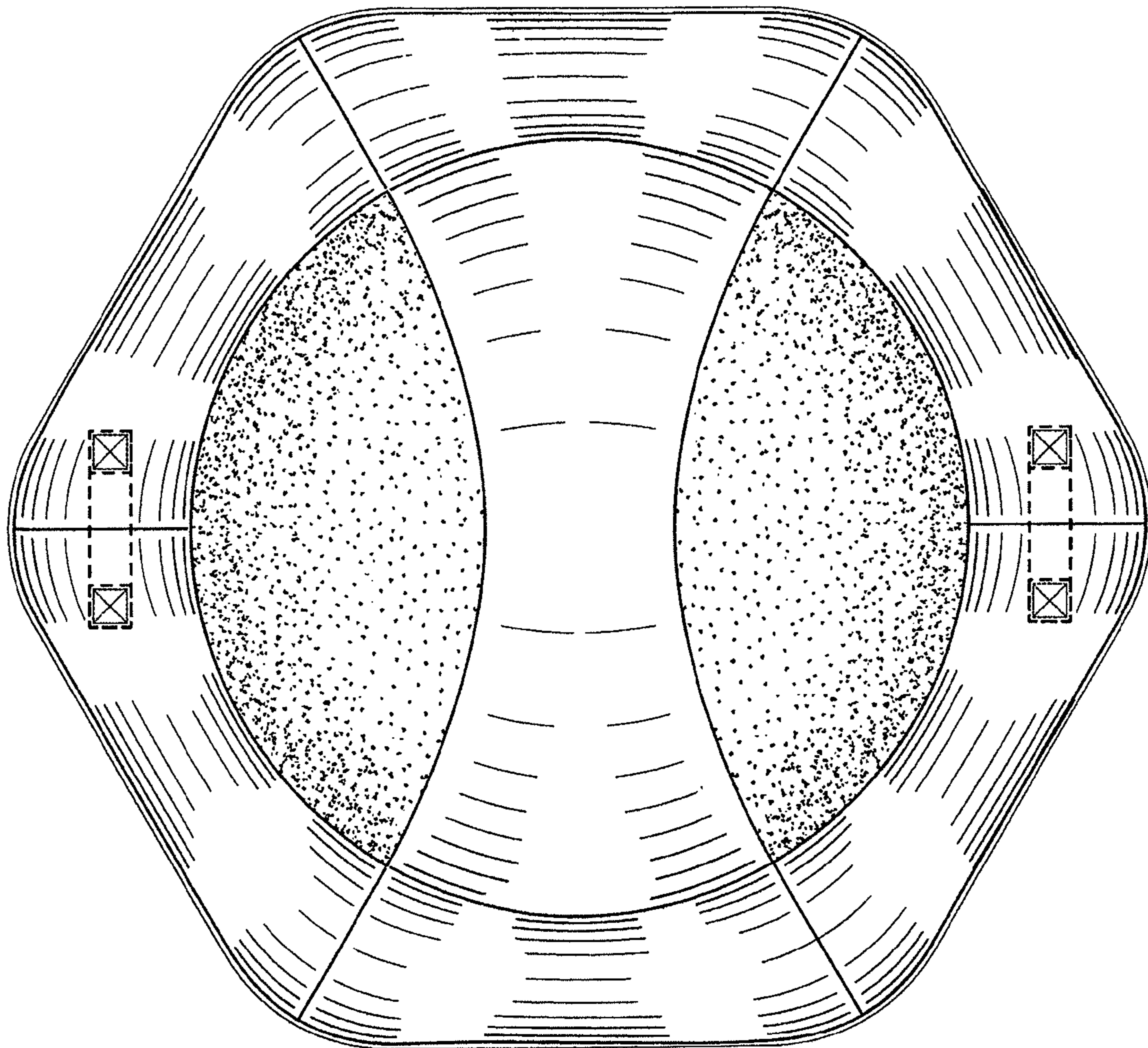


FIG. 2

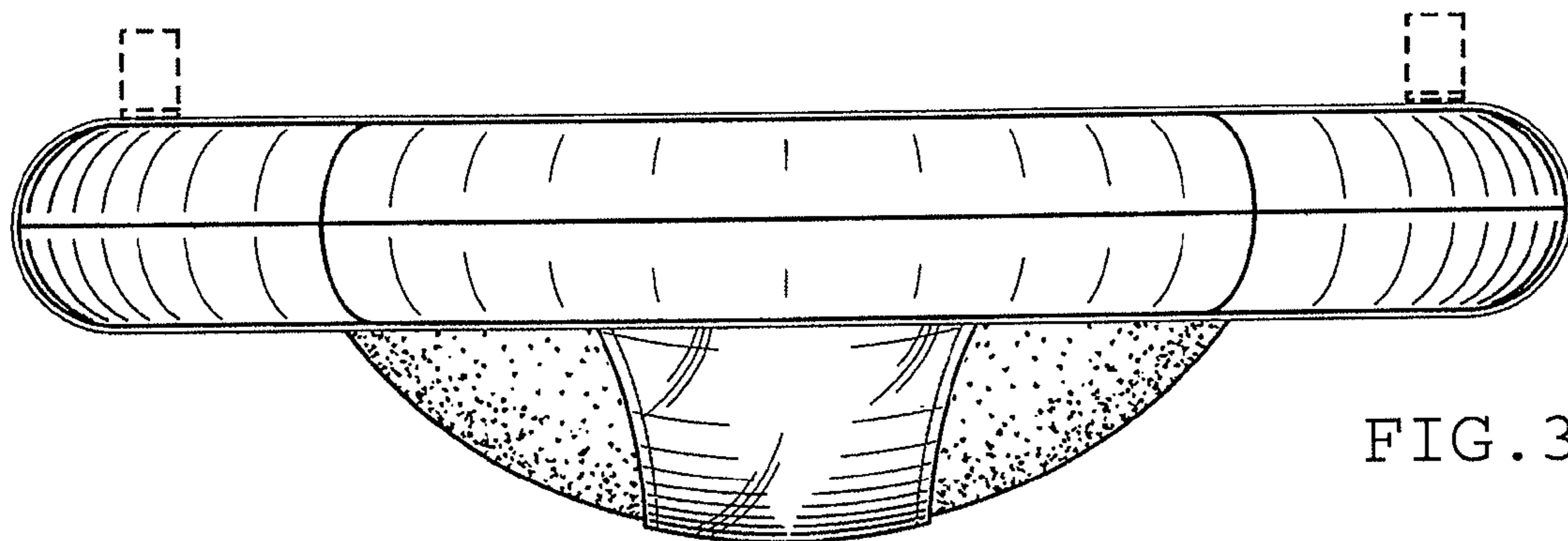


FIG. 3

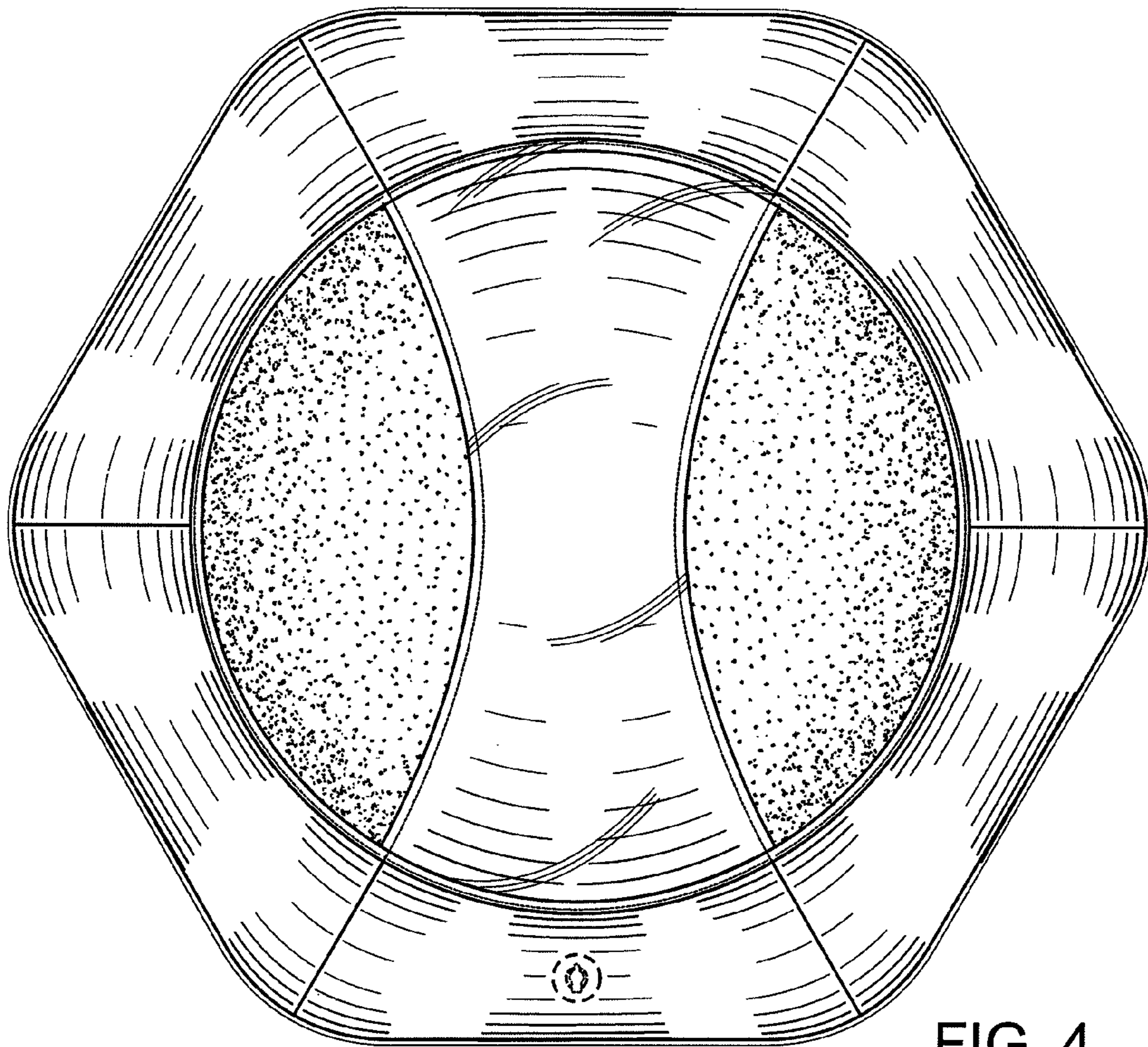


FIG. 4

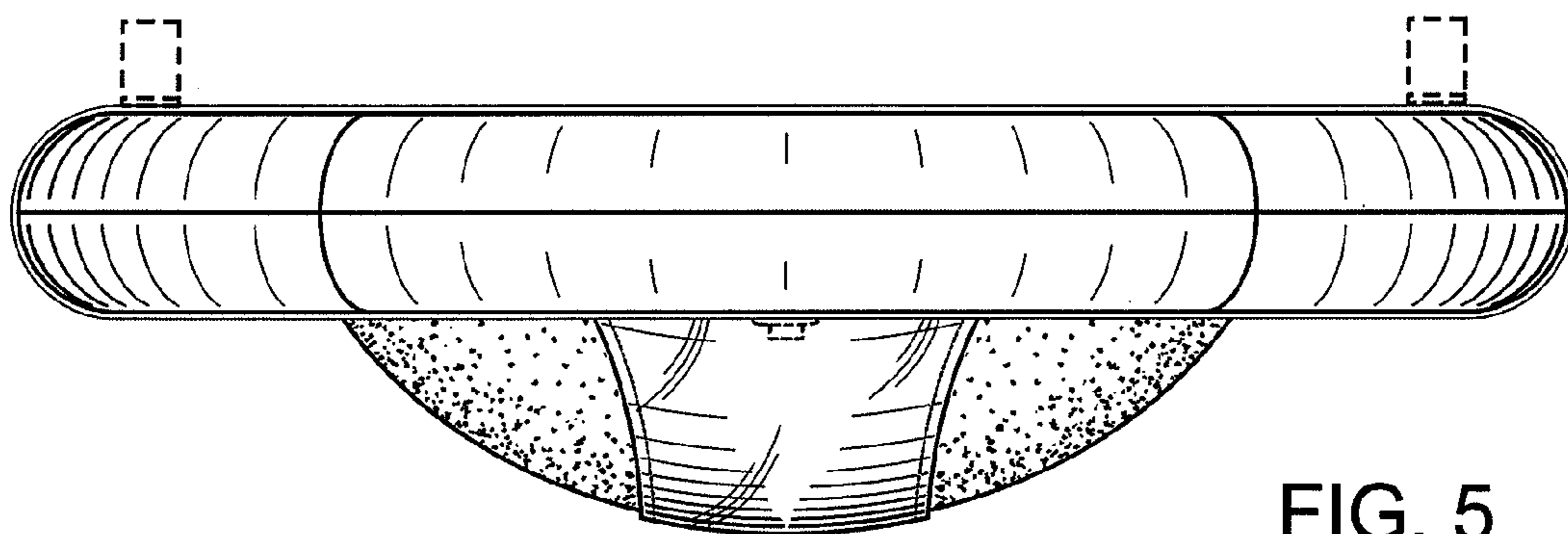


FIG. 5

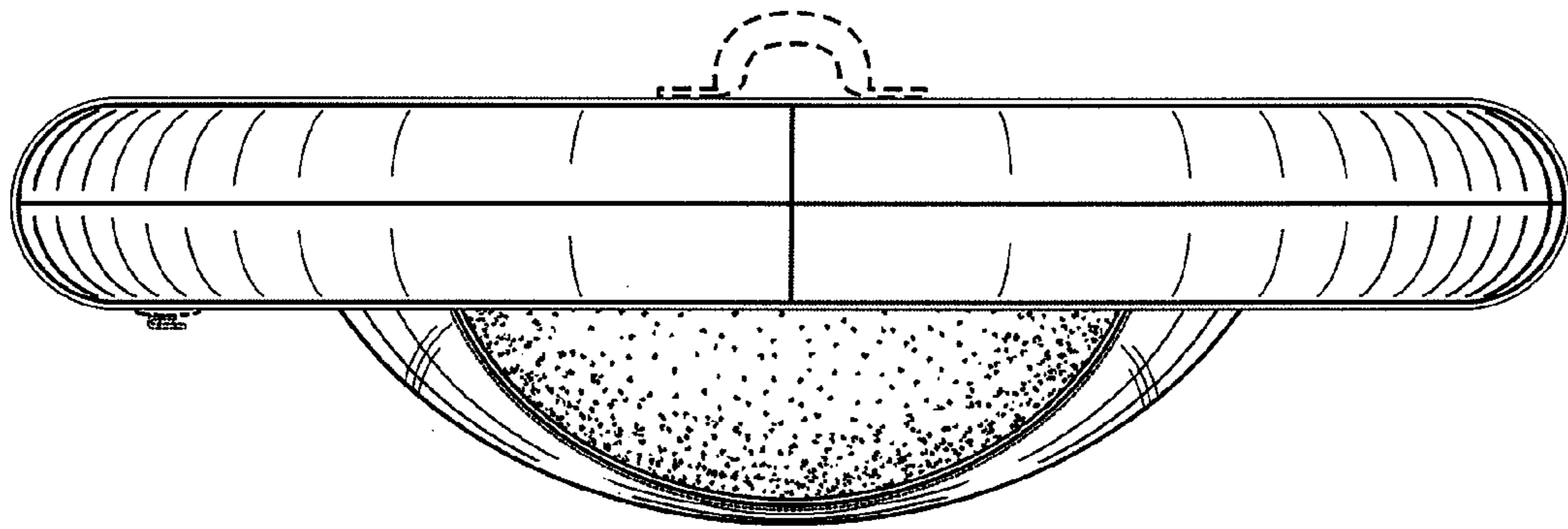


FIG. 6