



US00D643491S

(12) **United States Design Patent**
Stokke et al.

(10) **Patent No.:** **US D643,491 S**

(45) **Date of Patent:** **** Aug. 16, 2011**

(54) **GOLF CLUB HEAD**

(75) Inventors: **Ryan M. Stokke**, Phoenix, AZ (US);
Marty R. Jertson, Phoenix, AZ (US);
Michael R. Nicolette, Scottsdale, AZ
(US); **John A. Solheim**, Phoenix, AZ
(US)

(73) Assignee: **Karsten Manufacturing Corporation**,
Phoenix, AZ (US)

(**) Term: **14 Years**

(21) Appl. No.: **29/383,462**

(22) Filed: **Jan. 18, 2011**

(51) **LOC (9) Cl.** **21-02**

(52) **U.S. Cl.** **D21/759**

(58) **Field of Classification Search** D21/747-751,
D21/759; 473/324-331, 350

See application file for complete search history.

(56) **References Cited**

U.S. PATENT DOCUMENTS

D55,278 S	5/1920	Kraeuter
D234,608 S	3/1975	Raymont
D240,841 S	8/1976	Solheim
D256,264 S	8/1980	Solheim
4,355,808 A	10/1982	Jernigan
D276,644 S	12/1984	Solheim
5,014,993 A	5/1991	Antonious
5,048,834 A	9/1991	Gorman
D330,577 S	10/1992	Solheim
D332,812 S	1/1993	Solheim
D333,333 S	2/1993	Solheim
D344,778 S	3/1994	Solheim
D357,294 S	4/1995	Solheim
D368,127 S	3/1996	Solheim
D379,393 S	5/1997	Kubica
D383,819 S	9/1997	Takahashi
5,665,013 A	9/1997	Kobayashi
5,676,605 A	10/1997	Kobayashi
D386,550 S	11/1997	Wright
D386,551 S	11/1997	Solheim

D387,405 S	12/1997	Solheim
D388,486 S	12/1997	Mahaffey
D390,617 S	2/1998	Solheim
D392,356 S	3/1998	Burrows
D398,687 S	9/1998	Miyajima
D411,272 S	6/1999	Burrows
5,921,869 A	7/1999	Blough
D418,184 S	12/1999	Kubica
D421,784 S	3/2000	Kubica
D422,043 S	3/2000	Kubica

(Continued)

OTHER PUBLICATIONS

Michael R. Nicolette, et al., "Club Head Sets With Varying Characteristics and Related Methods," U.S. Appl. No. 12/791,740, filed Jun. 1, 2010.

(Continued)

Primary Examiner — Mitchell Siegel

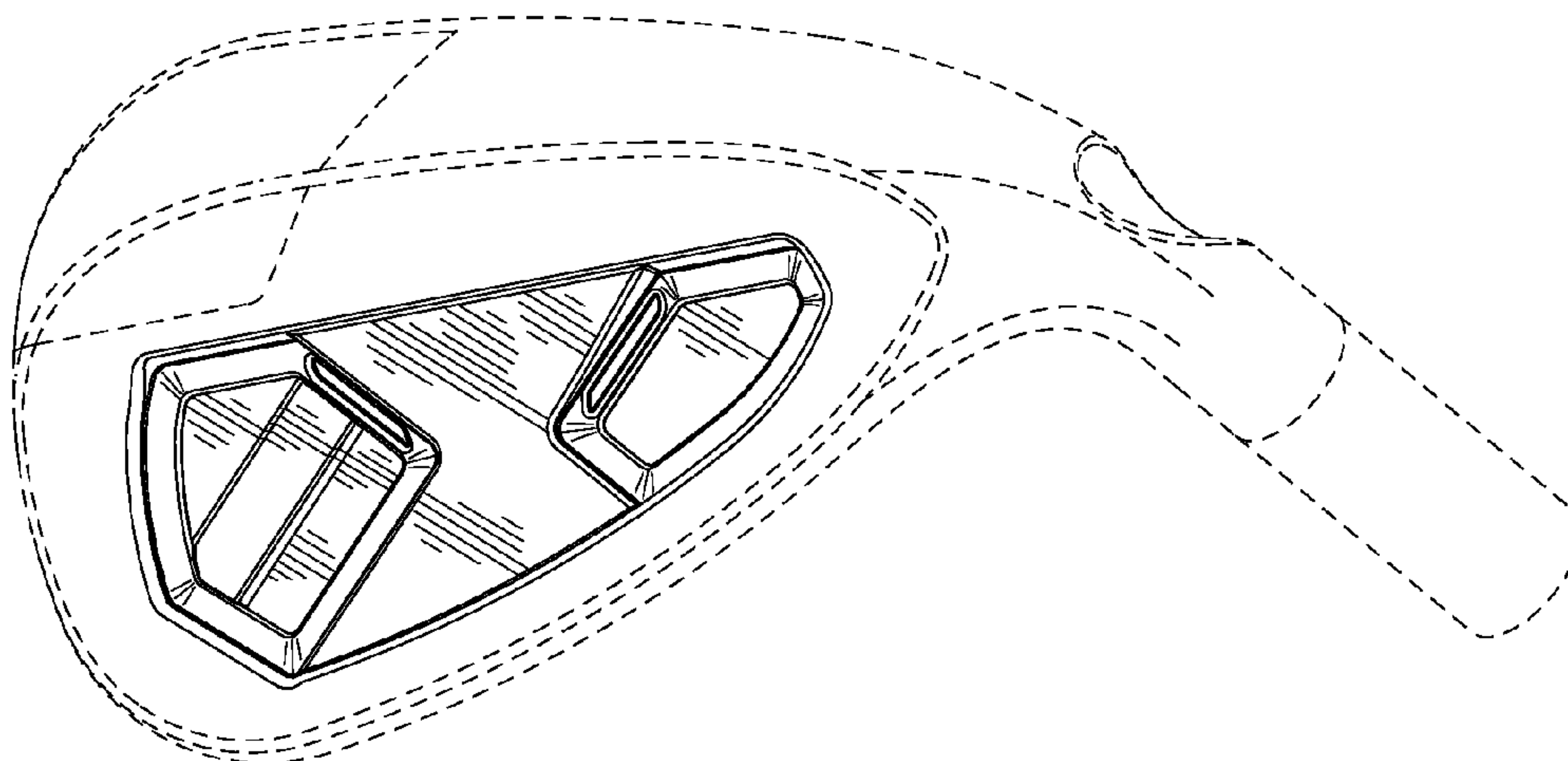
(57) **CLAIM**

The ornamental design for a golf club head, as shown and described.

DESCRIPTION

FIG. 1 is a top perspective view of a golf club head;
FIG. 2 is a bottom perspective view of the golf club head of FIG. 1;
FIG. 3 is a front elevational view of the golf club head of FIG. 1;
FIG. 4 is a rear elevational view of the golf club head of FIG. 1;
FIG. 5 is a top view of the golf club head of FIG. 1;
FIG. 6 is a bottom view of the golf club head of FIG. 1;
FIG. 7 is a left side view of the golf club head of FIG. 1; and,
FIG. 8 is a right side view of the golf club head of FIG. 1.
The broken lines shown in one or more of the figures are for illustrative purposes only and form no part of the claimed design.

1 Claim, 4 Drawing Sheets



US D643,491 S

U.S. PATENT DOCUMENTS

D428,635 S	7/2000	Nagai	
D429,298 S	8/2000	Butler	
D429,299 S	8/2000	Kubica	
D437,902 S	2/2001	Persinger	
D437,906 S	2/2001	Gilbert	
D442,659 S	5/2001	Kubica	
D443,008 S	5/2001	Kubica	
D444,195 S *	6/2001	Wahl et al.	D21/748
D458,328 S	6/2002	Solheim	
D465,253 S	11/2002	Best	
D473,605 S	4/2003	Petersen	
D475,108 S	5/2003	Madore	
6,695,714 B1	2/2004	Bliss	
D492,376 S	6/2004	Nicolette	
D494,240 S	8/2004	Schweigert	
D494,648 S	8/2004	Schweigert	
D500,350 S	12/2004	Schweigert	
D500,351 S	12/2004	Schweigert	
D502,237 S	2/2005	Schweigert	
D502,975 S	3/2005	Schweigert	
D503,204 S	3/2005	Nicolette	
D504,925 S	5/2005	Schweigert	
D505,171 S	5/2005	Schweigert	
D507,614 S	7/2005	Schweigert	
6,921,344 B2	7/2005	Gilbert	
D508,099 S	8/2005	Schweigert	
D514,183 S	1/2006	Schweigert	
D516,152 S	2/2006	Madore	
D517,625 S	3/2006	Sanchez	
D518,538 S	4/2006	Ines	
D519,179 S	4/2006	Roberts	
D523,501 S	6/2006	Nicolette	
D530,759 S	10/2006	Nicolette	
D530,760 S	10/2006	Schweigert	
7,125,343 B2	10/2006	Imamoto	
D532,849 S	11/2006	Nicolette	
D534,228 S	12/2006	Nicolette	
D534,595 S	1/2007	Hasebe	
D534,597 S	1/2007	Nicolette	
D536,759 S	2/2007	Schweigert	
D537,494 S	2/2007	Jertson	
D538,366 S	3/2007	Nicolette	
D539,862 S	4/2007	Nunez	
D539,864 S	4/2007	Nicolette	
D540,898 S	4/2007	Solheim	
D541,360 S	4/2007	Schweigert	
7,207,900 B2	4/2007	Nicolette	
D544,056 S	6/2007	Nicolette	
D549,295 S *	8/2007	Nagai et al.	D21/759
D550,316 S *	9/2007	Nagai et al.	D21/759
D554,212 S	10/2007	Nunez	
D554,218 S	10/2007	Ruggiero	
D559,931 S	1/2008	Roach	
D561,855 S	2/2008	Schweigert	
D562,423 S	2/2008	Foster	
D562,925 S	2/2008	Schweigert	
D570,435 S	6/2008	Sanchez	
D570,935 S	6/2008	Nicolette	
D570,936 S	6/2008	Schweigert	
D571,422 S	6/2008	Schweigert	
D571,881 S	6/2008	Nicolette	
D572,326 S	7/2008	Schweigert	
D572,329 S	7/2008	Nicolette	
D573,219 S	7/2008	Schweigert	
7,396,299 B2	7/2008	Nicolette	
D577,783 S	9/2008	Schweigert	
D578,590 S	10/2008	Schweigert	
D581,000 S	11/2008	Nicolette	
D585,951 S *	2/2009	Kohno	D21/759
D596,256 S	7/2009	Schweigert	
D596,257 S	7/2009	Jertson	
D597,158 S	7/2009	Schweigert	
D598,060 S *	8/2009	Barez et al.	D21/747
D601,216 S	9/2009	Jertson	
D604,783 S	11/2009	Nicolette	
D607,073 S	12/2009	Jertson	
D621,893 S	8/2010	Nicolette	
D621,894 S	8/2010	Schweigert	
D621,895 S	8/2010	Schweigert	
D622,344 S *	8/2010	Oldknow et al.	D21/759
D627,410 S	11/2010	Nicolette	
D635,627 S	4/2011	Nicolette	
2003/0119602 A1	6/2003	Kennedy, III	
2005/0009632 A1	1/2005	Schweigert	
2005/0096156 A1	5/2005	Chen	
2006/0258480 A1	11/2006	Hou	
2007/0117653 A1 *	5/2007	Yoneyama	473/350
2007/0225084 A1	9/2007	Schweigert	
2007/0281796 A1	12/2007	Gilbert	
2008/0300065 A1	12/2008	Schweigert	
2009/0029790 A1	1/2009	Nicolette	
2009/0029791 A1	1/2009	Solheim	
2009/0118033 A1	5/2009	Nakamura	
2009/0149277 A1 *	6/2009	Deng et al.	473/350
2010/0178999 A1	7/2010	Nicolette	

OTHER PUBLICATIONS

Michael R. Nicolette, et al., "Club Head Sets With Varying Characteristics and Related Methods," U.S. Appl. No. 12/791,738, filed Jun. 1, 2010.

Michael R. Nicolette, et al., "Club Head Sets With Varying Characteristics and Related Methods," U.S. Appl. No. 12/791,734, filed Jun. 1, 2010.

Marty R. Jertson, et al., "Golf Club Head," U.S. Appl. No. 29/382,933, filed Jan. 10, 2011.

* cited by examiner

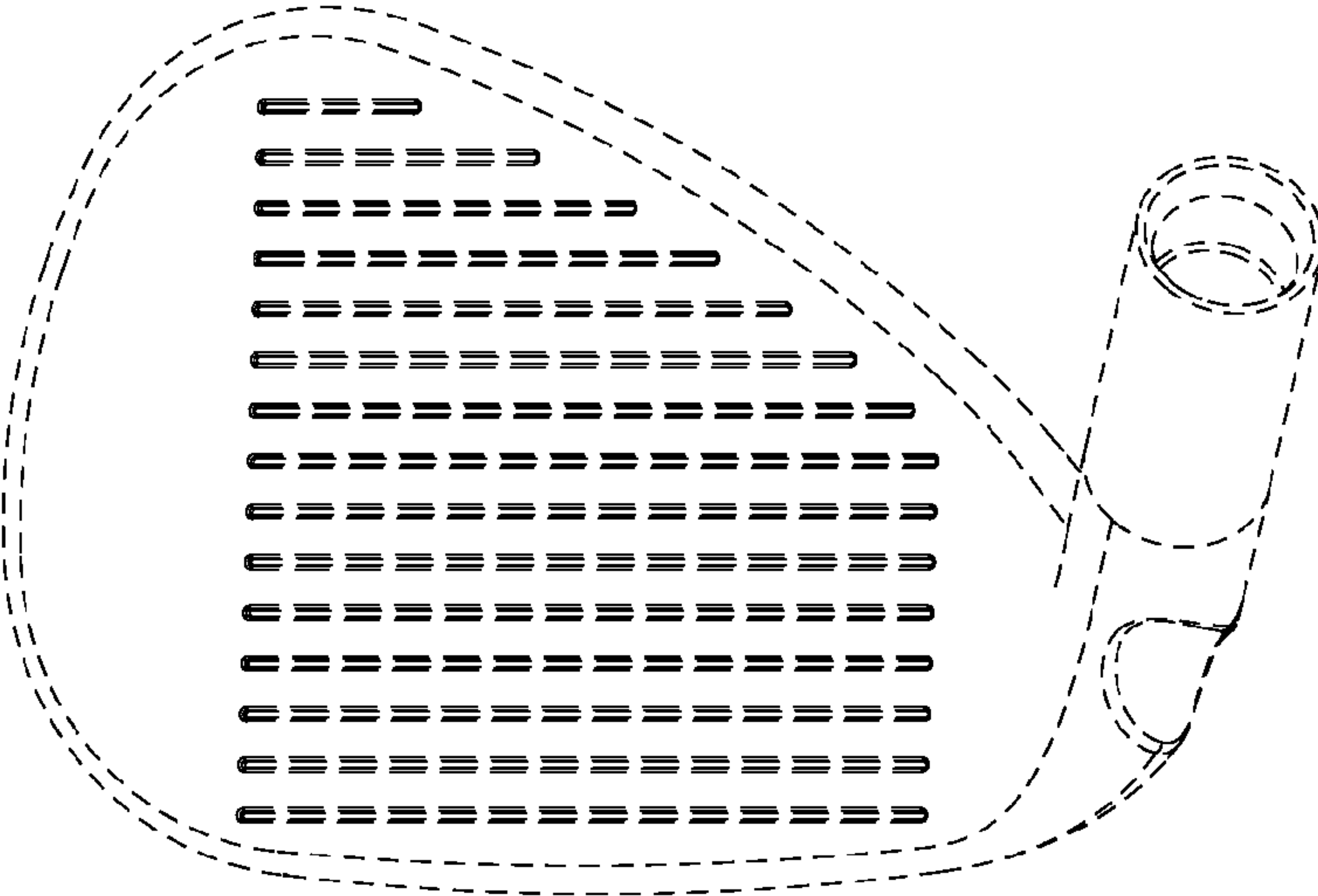


FIG. 1

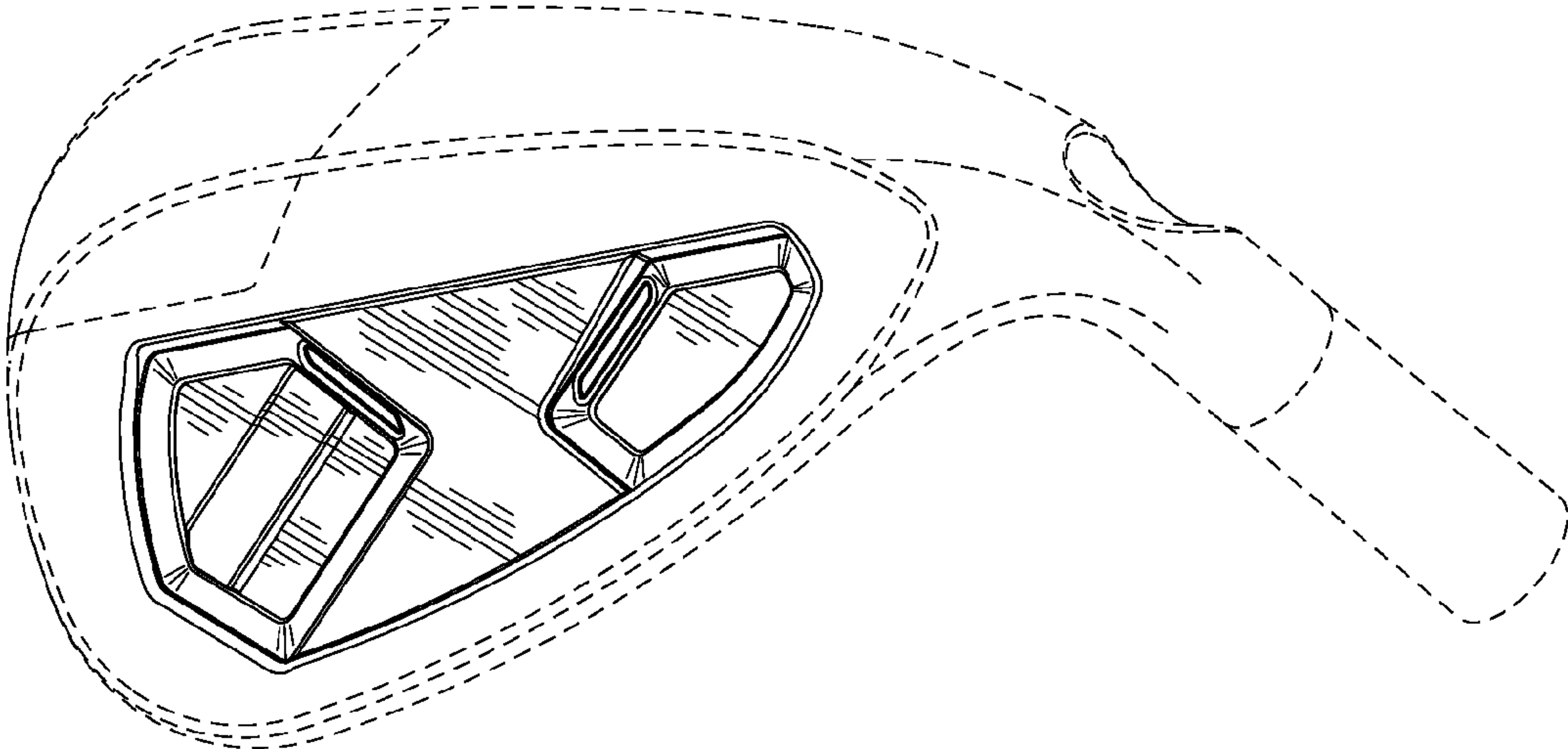


FIG. 2

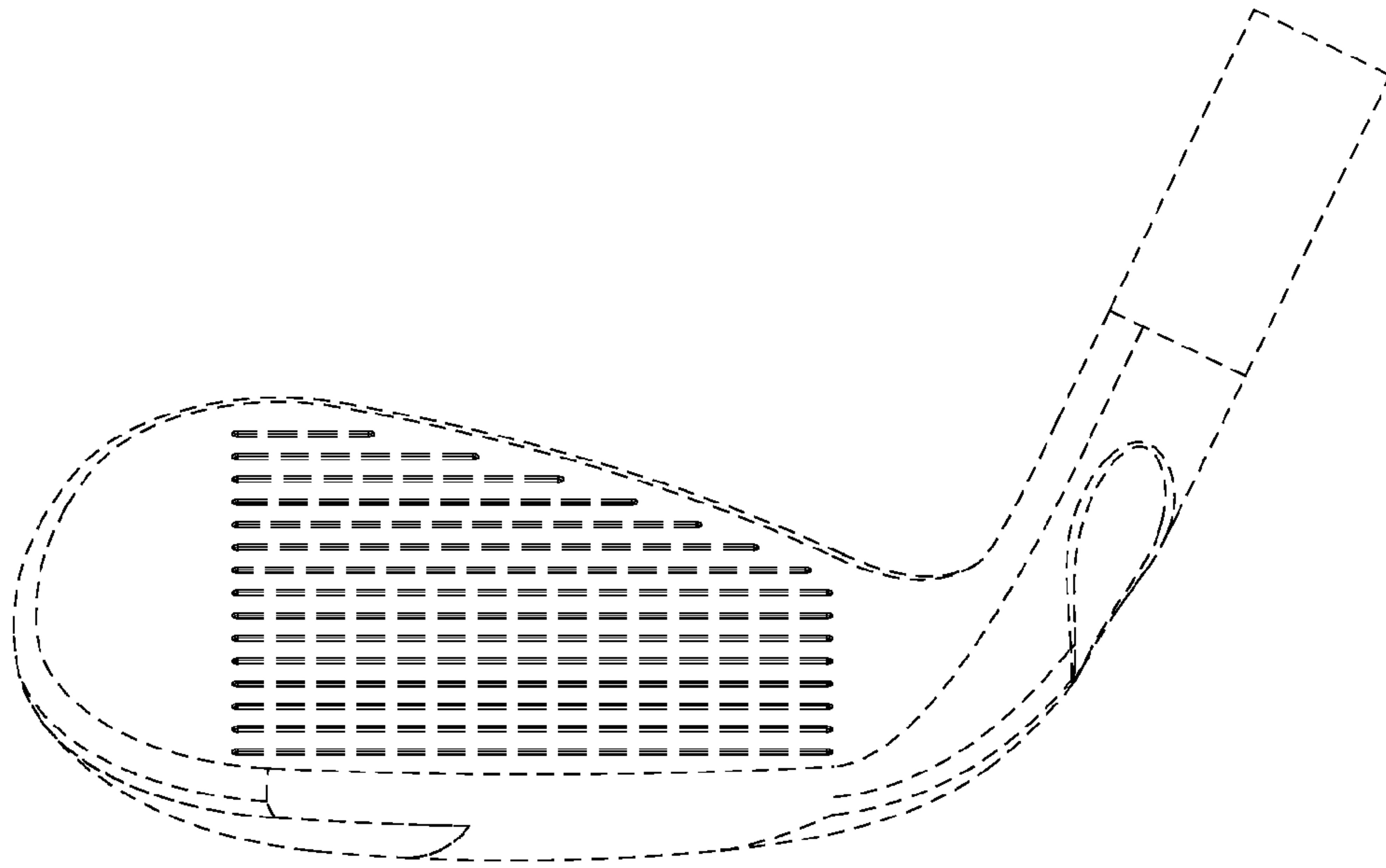


FIG. 3

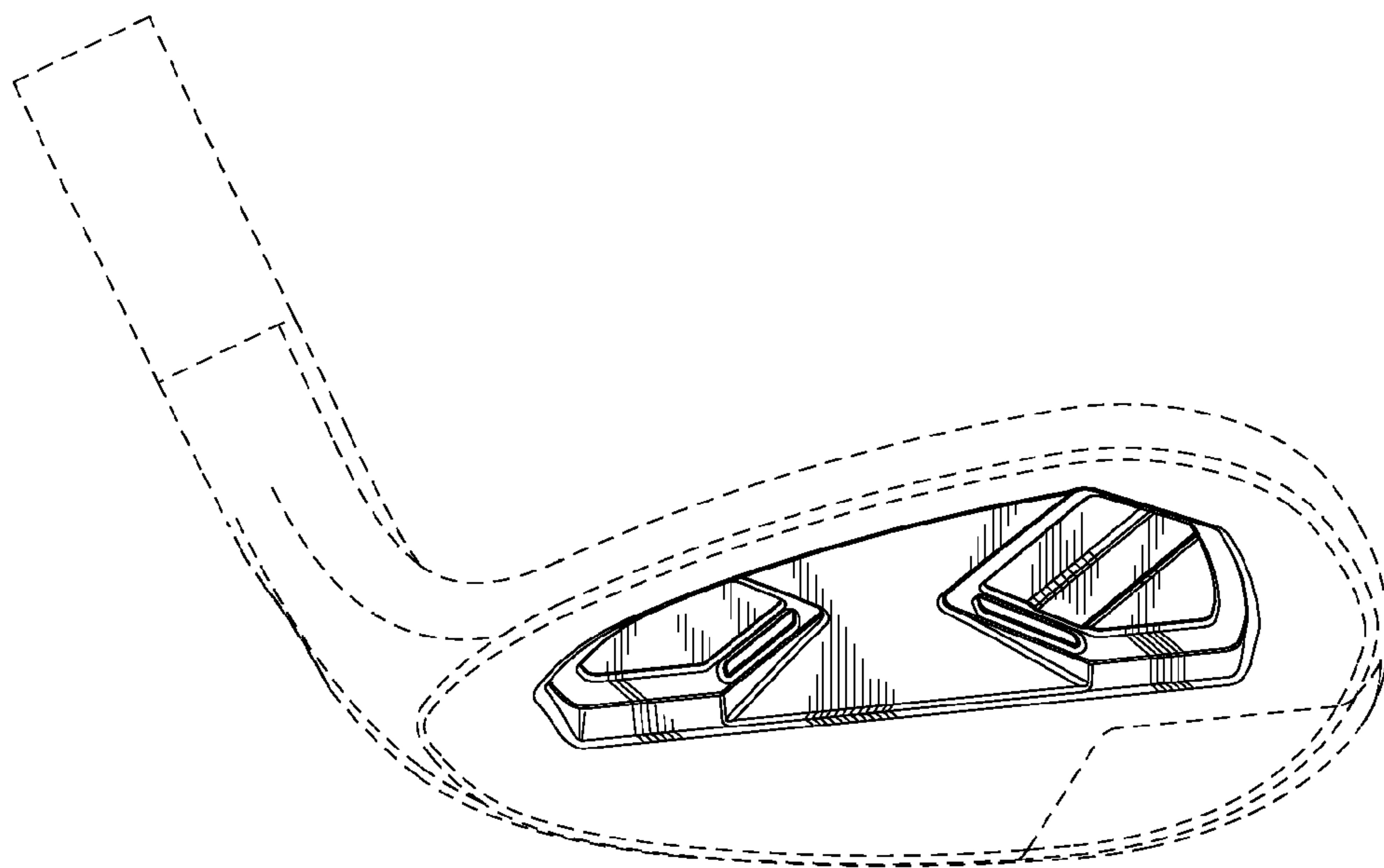


FIG. 4

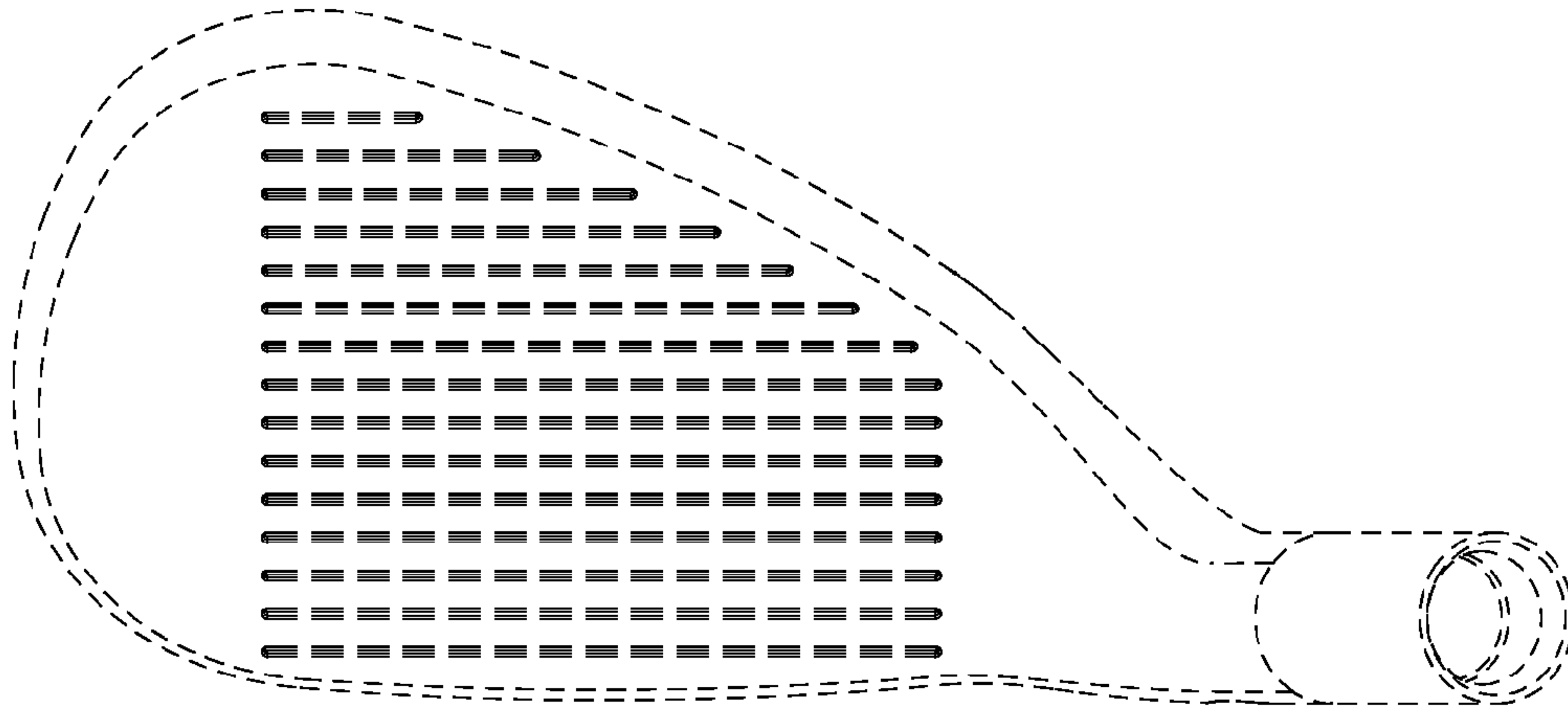


FIG. 5

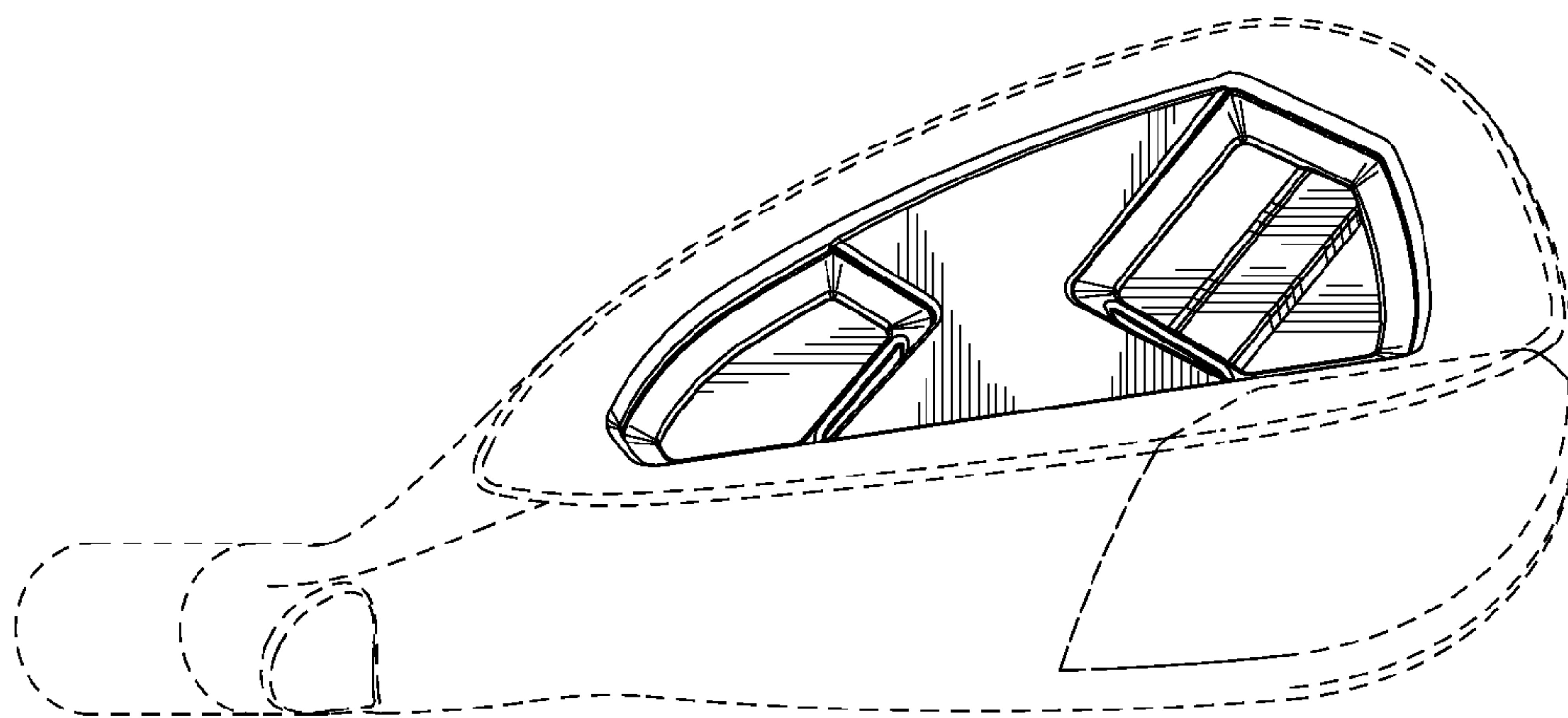


FIG. 6

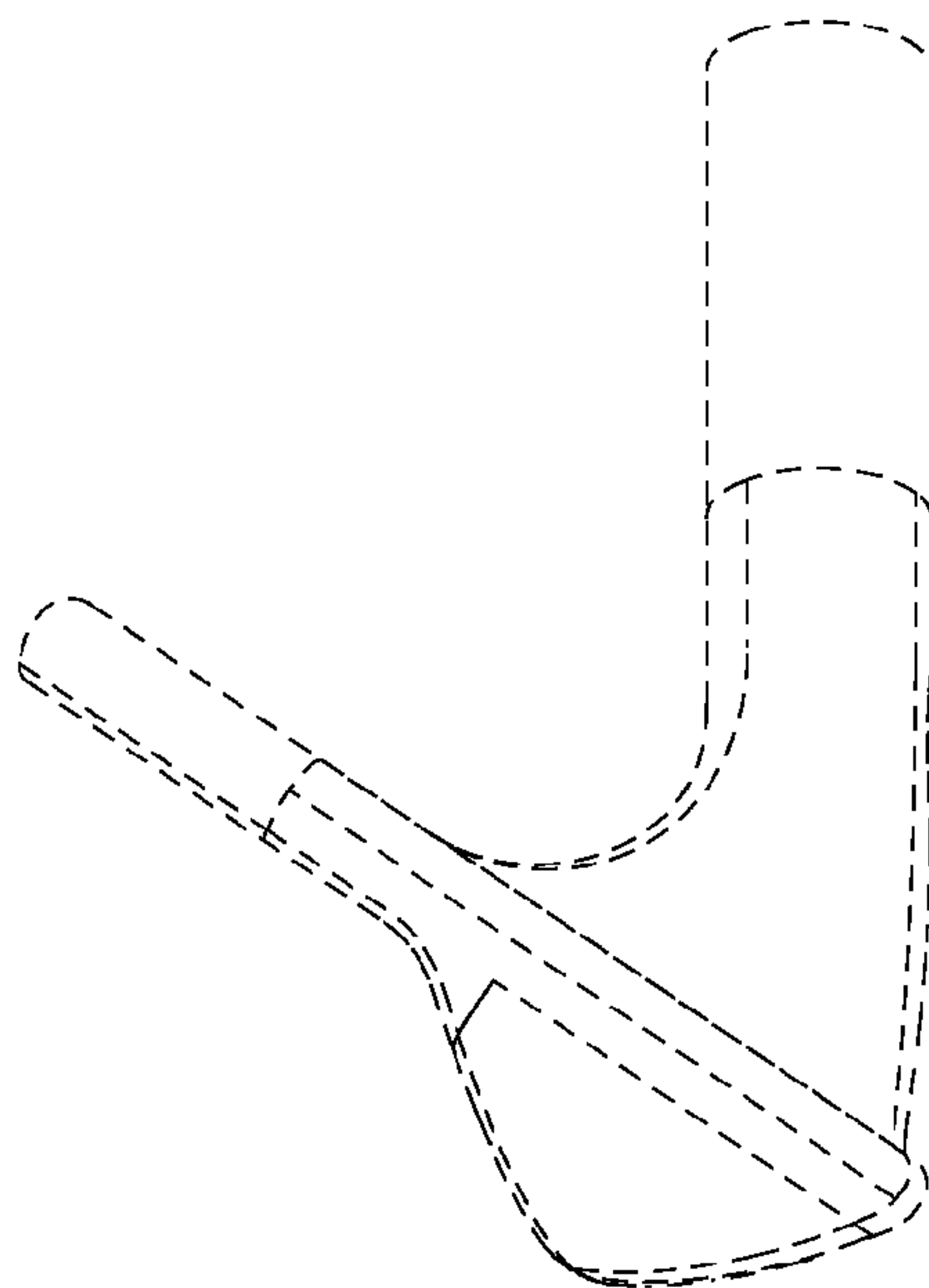


FIG. 7

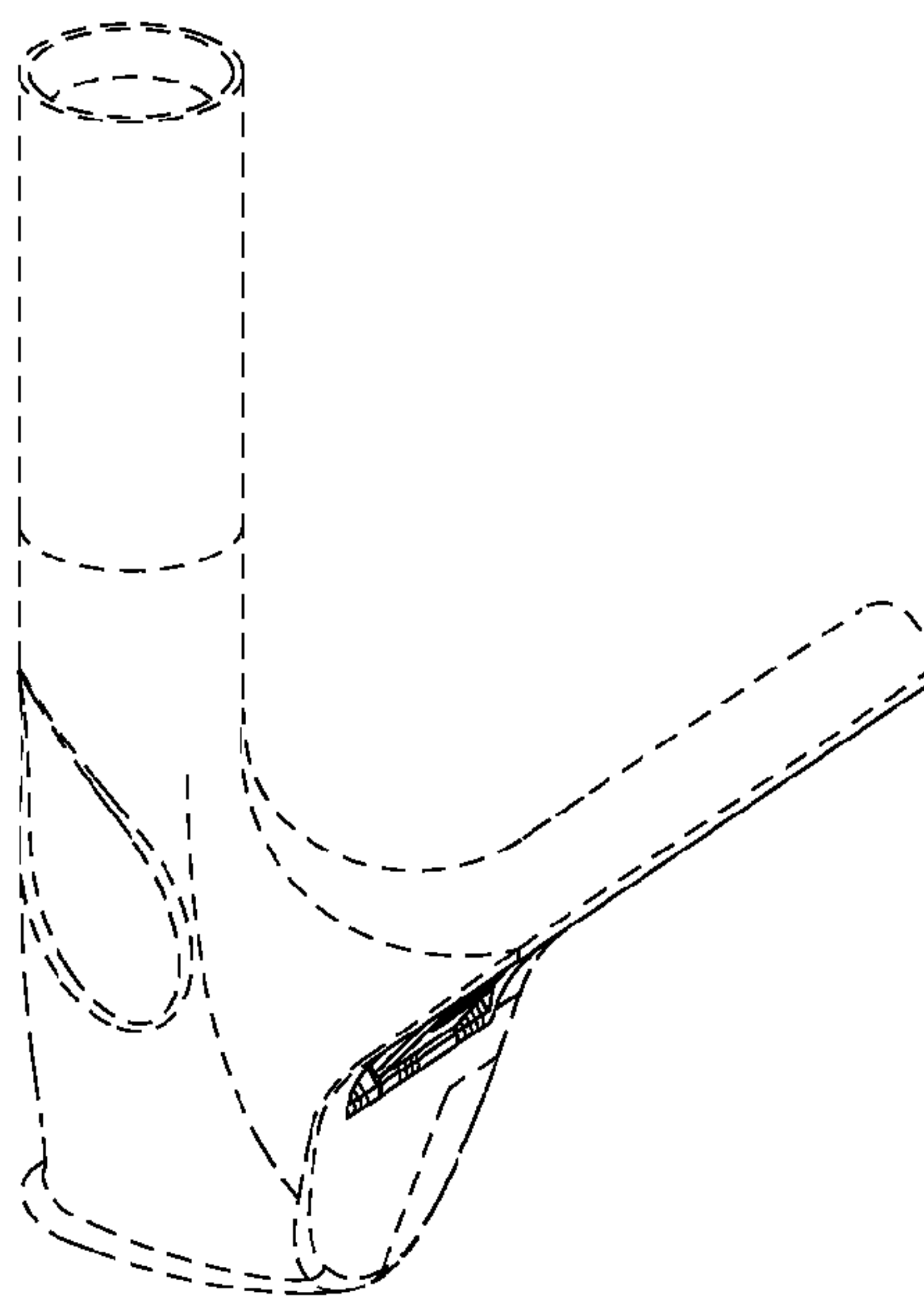


FIG. 8