



US00D643487S

(12) **United States Design Patent**
Serrano et al.

(10) **Patent No.:** **US D643,487 S**

(45) **Date of Patent:** **** Aug. 16, 2011**

(54) **GOLF CLUB HEAD**

(75) Inventors: **Anthony D. Serrano**, Anthem, AZ (US);
Xiaojian Chen, Phoenix, AZ (US)

(73) Assignee: **Karsten Manufacturing Corporation**,
Phoenix, AZ (US)

(**) Term: **14 Years**

(21) Appl. No.: **29/382,980**

(22) Filed: **Jan. 10, 2011**

(51) **LOC (9) Cl.** **21-02**

(52) **U.S. Cl.** **D21/742**

(58) **Field of Classification Search** D21/736-746,
D21/759; 473/324-331, 340-341, 251-256
See application file for complete search history.

(56) **References Cited**

U.S. PATENT DOCUMENTS

3,884,477 A	5/1975	Bianco
4,030,766 A	6/1977	Derr
D316,129 S	4/1991	Bryson
5,482,281 A	1/1996	Anderson
D379,484 S	5/1997	Solheim
D380,029 S	6/1997	Anderson
D399,911 S	10/1998	Nicolette
5,842,935 A	12/1998	Nelson
D405,137 S	2/1999	Nelson
D410,717 S	6/1999	Anderson
6,159,108 A	12/2000	De la Pena
6,379,259 B1	4/2002	Opie
D486,872 S	2/2004	Schweigert
D488,526 S	4/2004	Souza
D500,109 S	12/2004	Solheim
D500,110 S	12/2004	Solheim
6,837,801 B1	1/2005	Souza
6,878,071 B1	4/2005	Schwieger
6,893,355 B2	5/2005	Souza
6,902,496 B2	6/2005	Solheim
D507,612 S	7/2005	Souza
6,926,615 B1	8/2005	Souza

6,960,140 B2	11/2005	Solheim
6,966,845 B2	11/2005	Solheim
D520,584 S	5/2006	Karlsen
D521,582 S	5/2006	Souza
7,052,411 B2	5/2006	Solheim
D522,598 S	6/2006	Solheim
7,077,758 B2	7/2006	Rohrer
7,086,957 B2	8/2006	Solheim
D527,777 S	9/2006	Solheim
D529,108 S	9/2006	Stites
D529,109 S	9/2006	Jones

(Continued)

OTHER PUBLICATIONS

Stina Sternberg and Ashley Mayo, "2008 Spring Equipment Preview," Golf for Women, May-Jun. 2008 at 114.

(Continued)

Primary Examiner — Mitchell Siegel

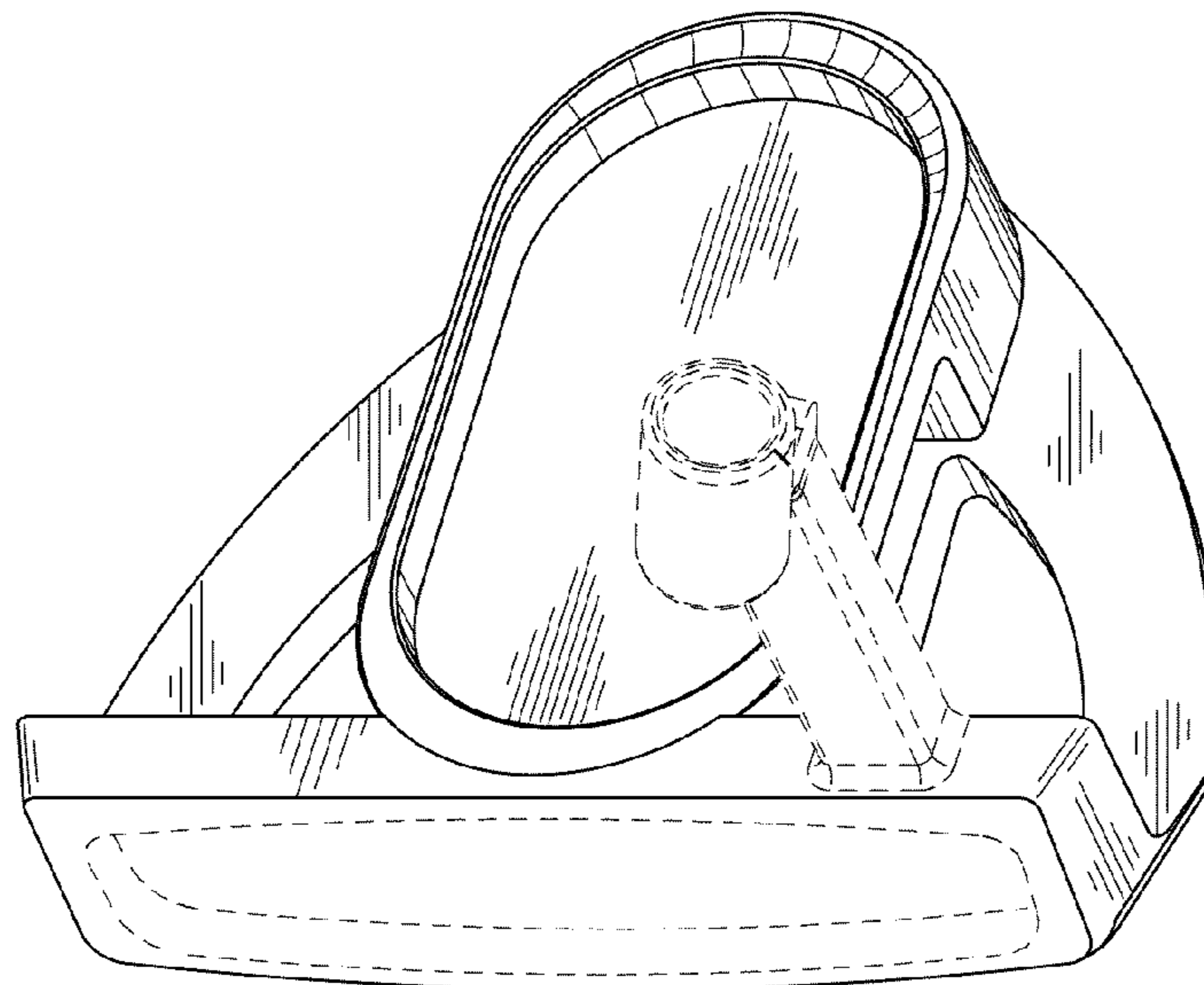
(57) **CLAIM**

The ornamental design for a golf club head, as shown and described.

DESCRIPTION

FIG. 1 is a top perspective view of a golf club head;
FIG. 2 is a bottom perspective view of the golf club head of FIG. 1;
FIG. 3 is a front elevational view of the golf club head of FIG. 1;
FIG. 4 is a rear elevational view of the golf club head of FIG. 1;
FIG. 5 is a top view of the golf club head of FIG. 1;
FIG. 6 is a bottom view of the golf club head of FIG. 1;
FIG. 7 is a left side view of the golf club head of FIG. 1; and,
FIG. 8 is a right side view of the golf club head of FIG. 1.
The broken lines shown in one or more of the figures are for illustrative purposes only and form no part of the claimed design.

1 Claim, 4 Drawing Sheets



US D643,487 S

Page 2

U.S. PATENT DOCUMENTS

D532,842 S 11/2006 Jones
D532,843 S 11/2006 Jones
D533,243 S 12/2006 Fife, Jr.
7,235,021 B2 6/2007 Solheim
D548,295 S 8/2007 Jertson
7,255,650 B2 8/2007 Braynt
D552,197 S 10/2007 Wells
D565,137 S 3/2008 Oldknow
D571,879 S * 6/2008 Jones et al. D21/736
D574,907 S * 8/2008 Jones et al. D21/736
D581,473 S 11/2008 Thomas
D583,003 S 12/2008 Solheim
D587,325 S 2/2009 Solheim
D600,760 S * 9/2009 Serrano et al. D21/736
D600,761 S 9/2009 Solheim
D600,762 S 9/2009 Serrano
D607,950 S 1/2010 Souza
7,651,411 B2 1/2010 Jones
D621,458 S 8/2010 Serrano
D621,460 S * 8/2010 Serrano et al. D21/742
D621,461 S * 8/2010 Serrano et al. D21/742
D621,462 S * 8/2010 Serrano et al. D21/742
D621,891 S * 8/2010 Serrano et al. D21/742
7,803,066 B2 9/2010 Solheim
D629,476 S * 12/2010 Serrano et al. D21/742

D632,747 S * 2/2011 Jeffres D21/742
2005/0170904 A1 8/2005 Smeeth
2006/0094533 A1 5/2006 Warren
2006/0166755 A1 7/2006 Brown
2007/0049402 A1 3/2007 Sanchez
2007/0191135 A1 8/2007 Nilsson
2009/0270196 A1 10/2009 Solheim
2009/0305807 A1 12/2009 Solheim
2010/0227704 A1 9/2010 Souza

OTHER PUBLICATIONS

Stina Sternberg, "Hot List 2008—Putters," Golf Digest Feb. 2008 at 158-169 also available at: <http://www.golfdigest.com/equipment/ratings>.

Michael R. Nicolette, et al., "Golf Club Head," U.S. Appl. No. 29/378,880, filed Nov. 10, 2010.

Michael R. Nicolette, et al., "Golf Club Head," U.S. Appl. No. 29/382,850, filed Jan. 7, 2011.

Anthony D. Serrano, et al., "Golf Club Head," U.S. Appl. No. 29/382,977, filed Jan. 10, 2011.

Anthony D. Serrano, et al., "Golf Club Head," U.S. Appl. No. 29/382,978, filed Jan. 10, 2011.

* cited by examiner

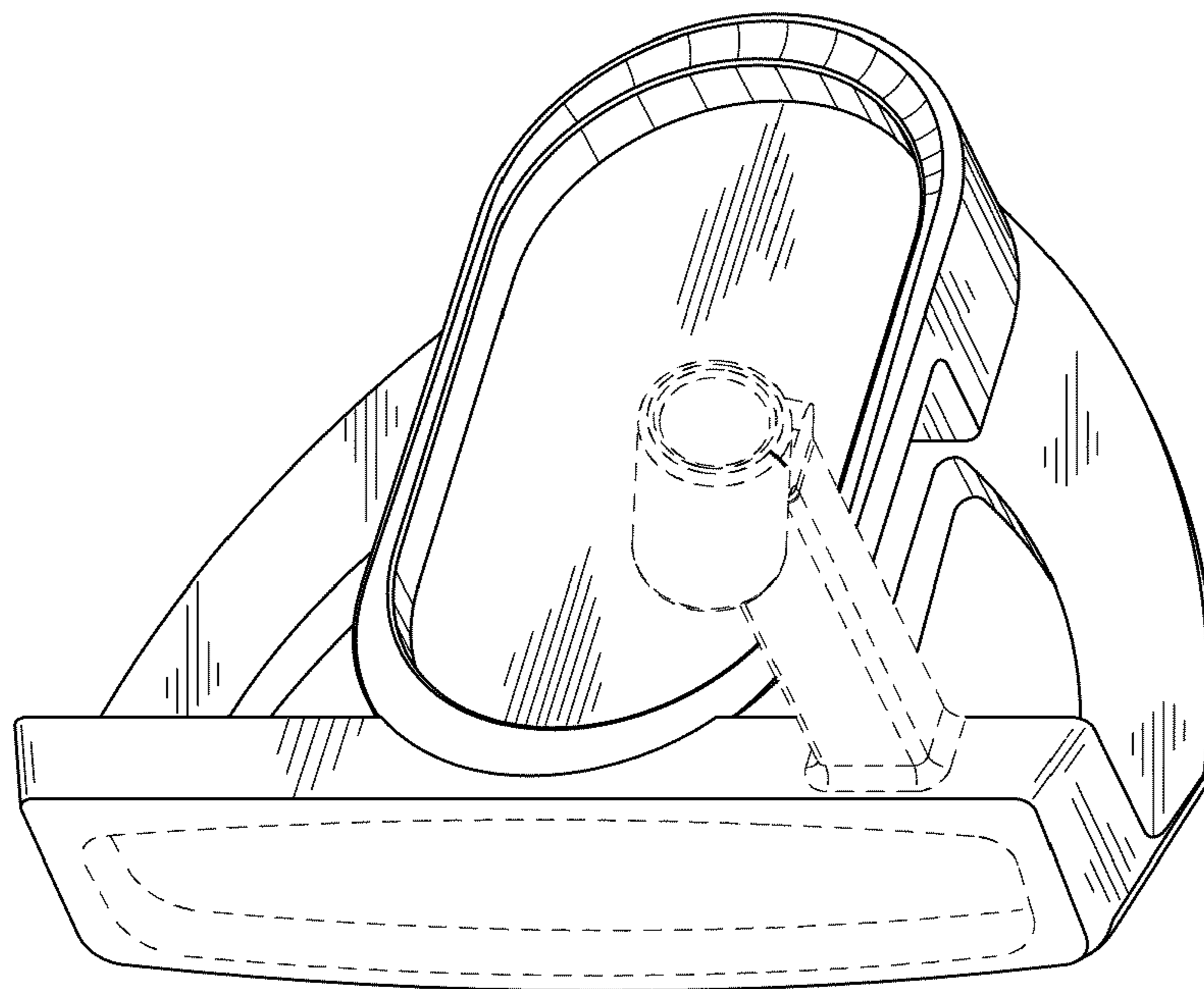


FIG. 1

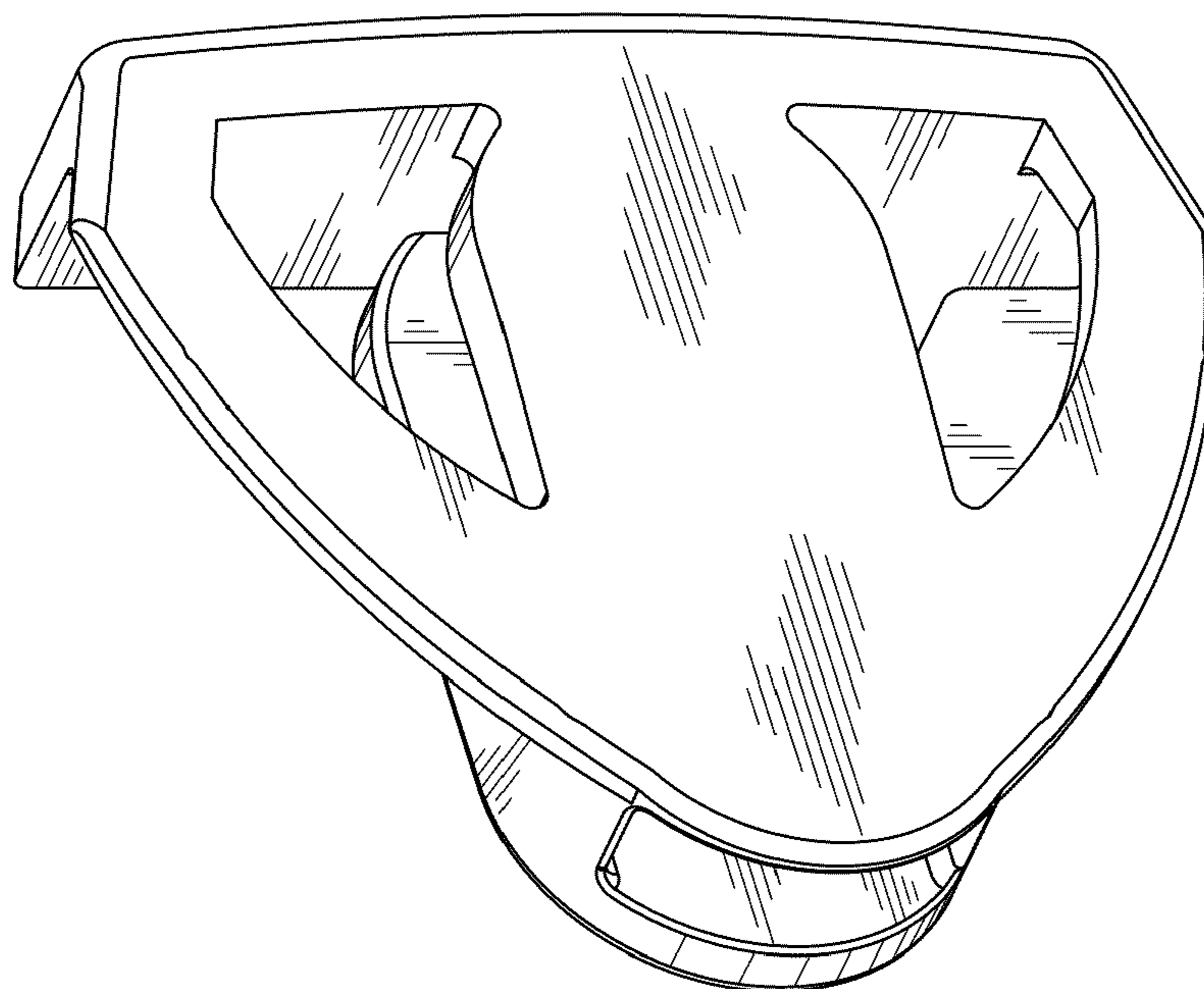


FIG. 2

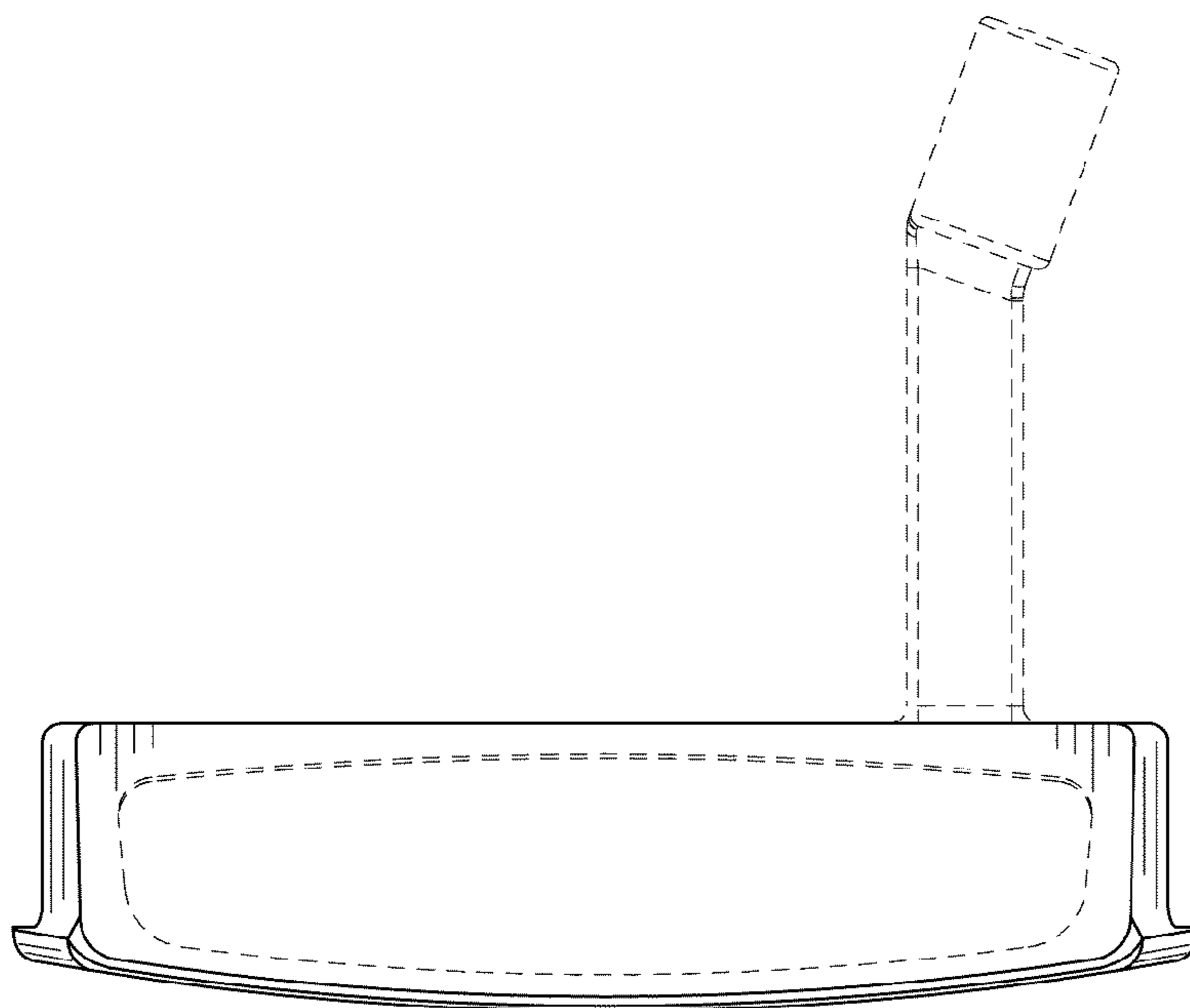


FIG. 3

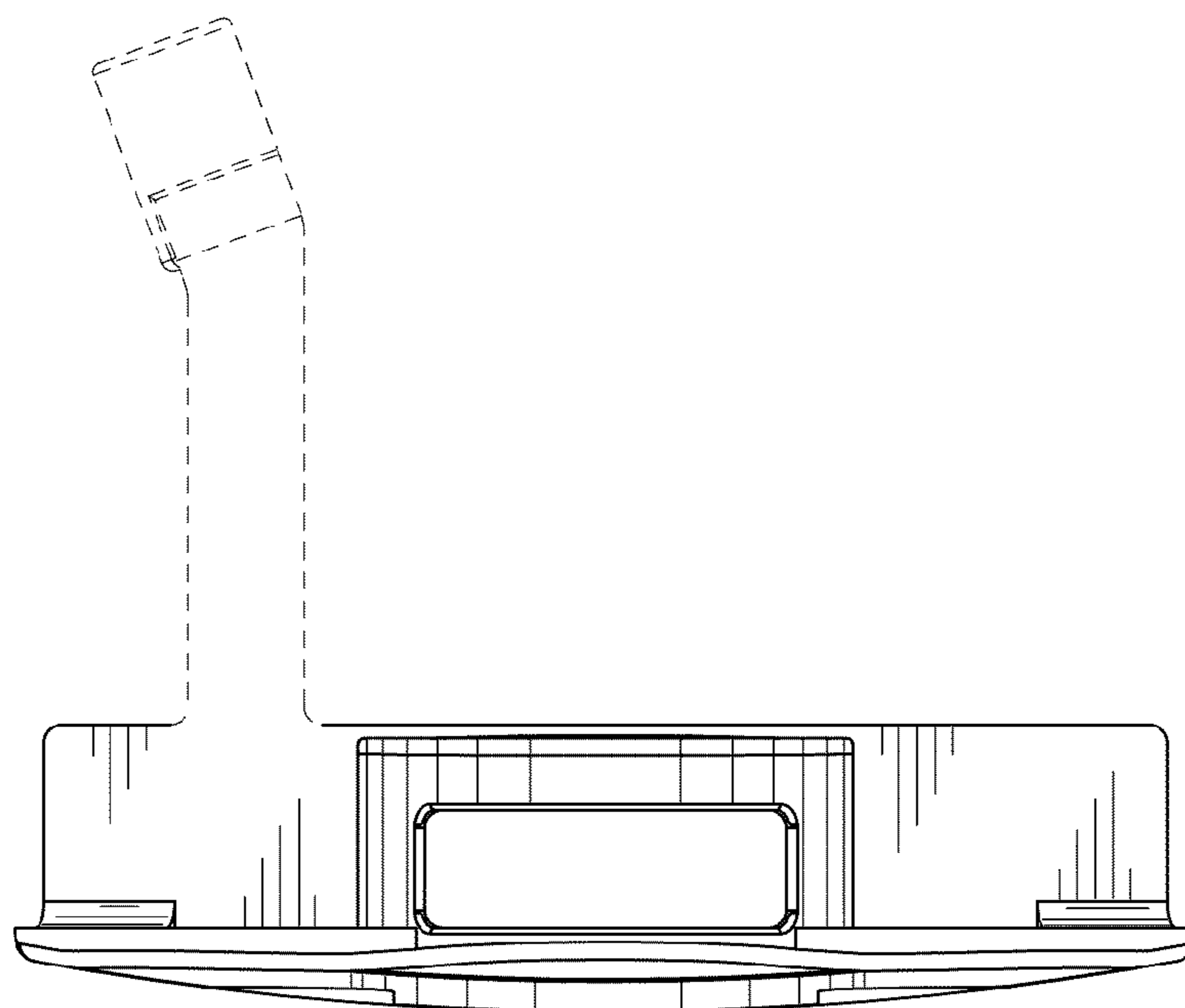


FIG. 4

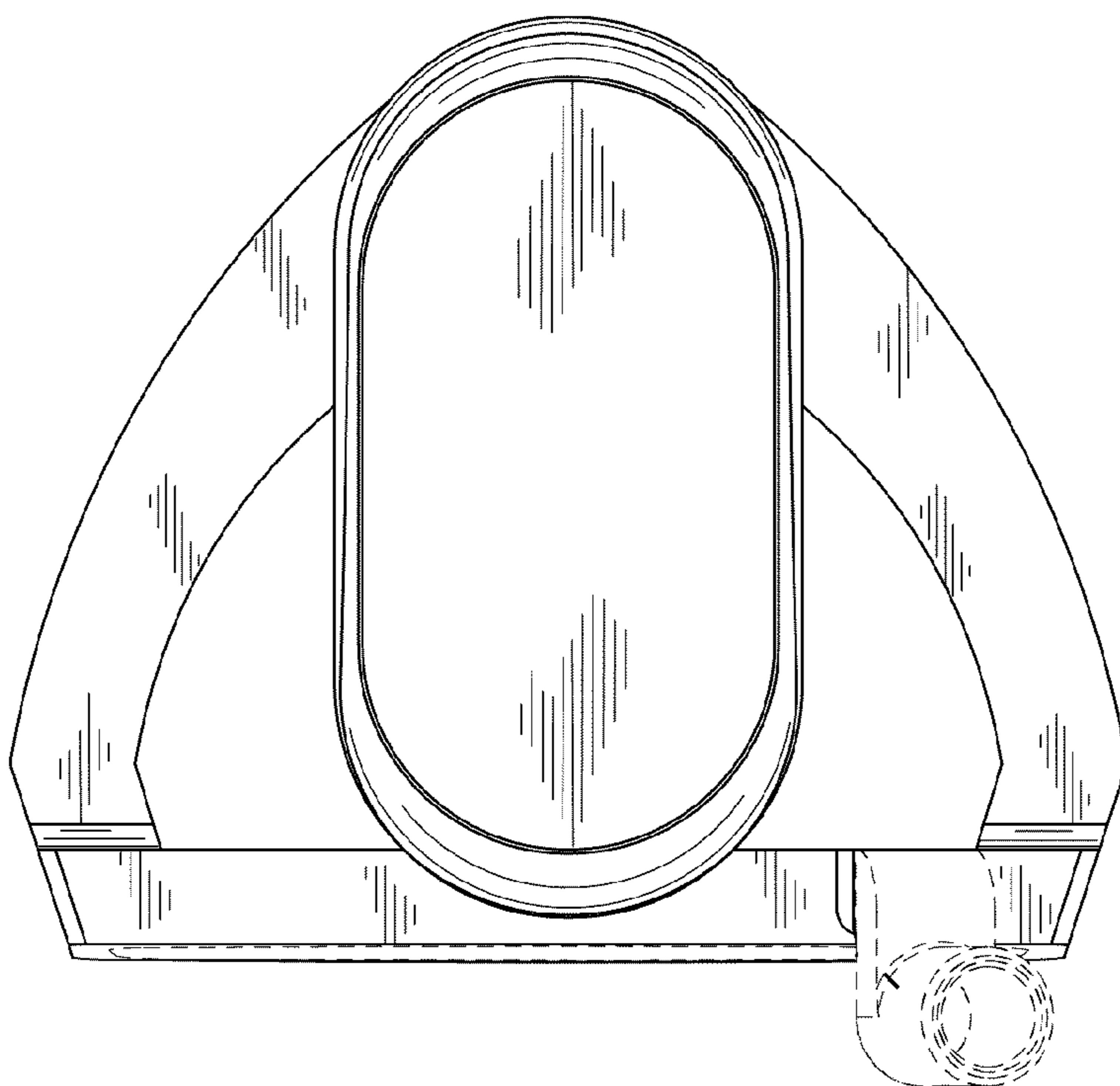


FIG. 5

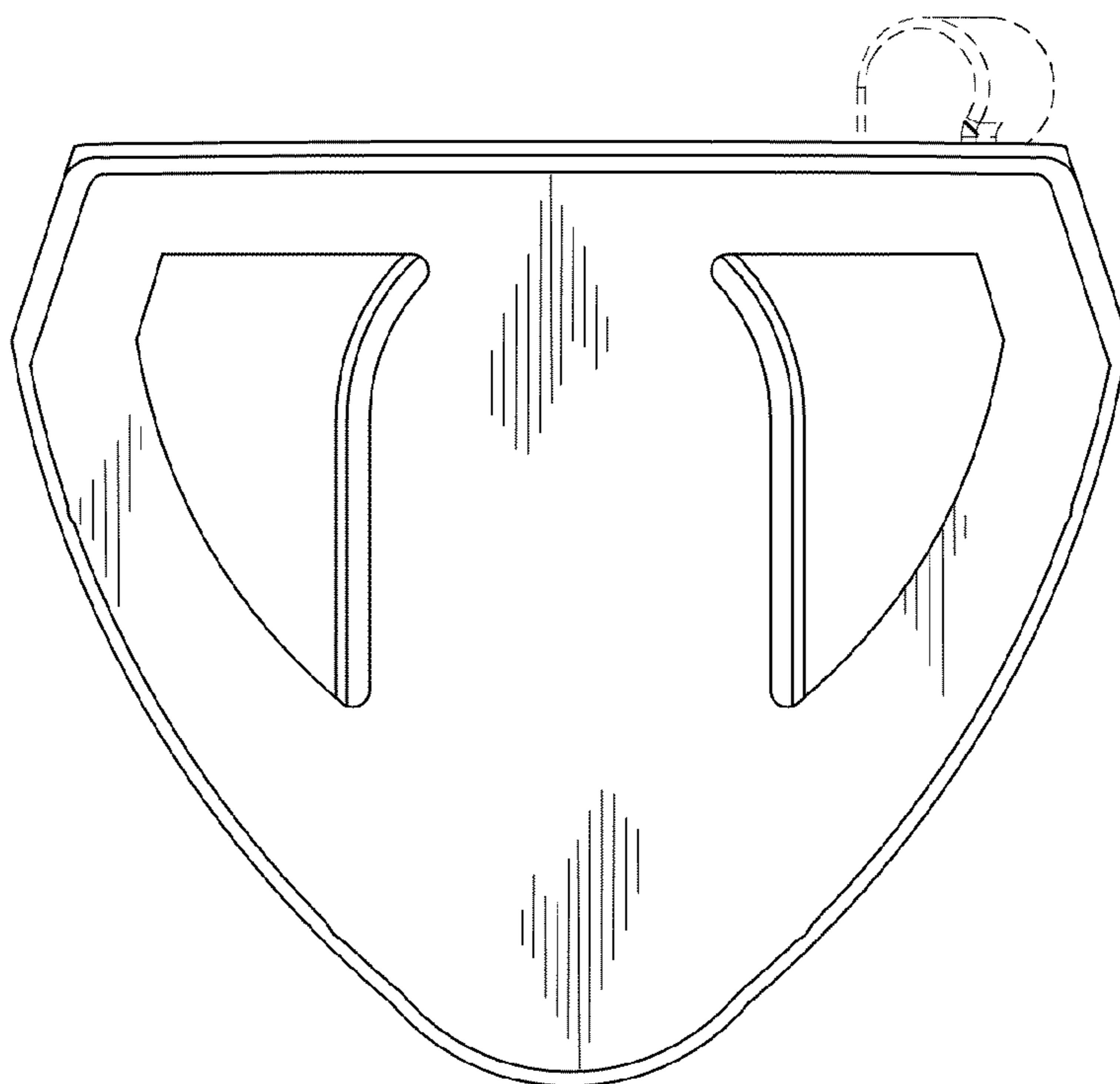


FIG. 6

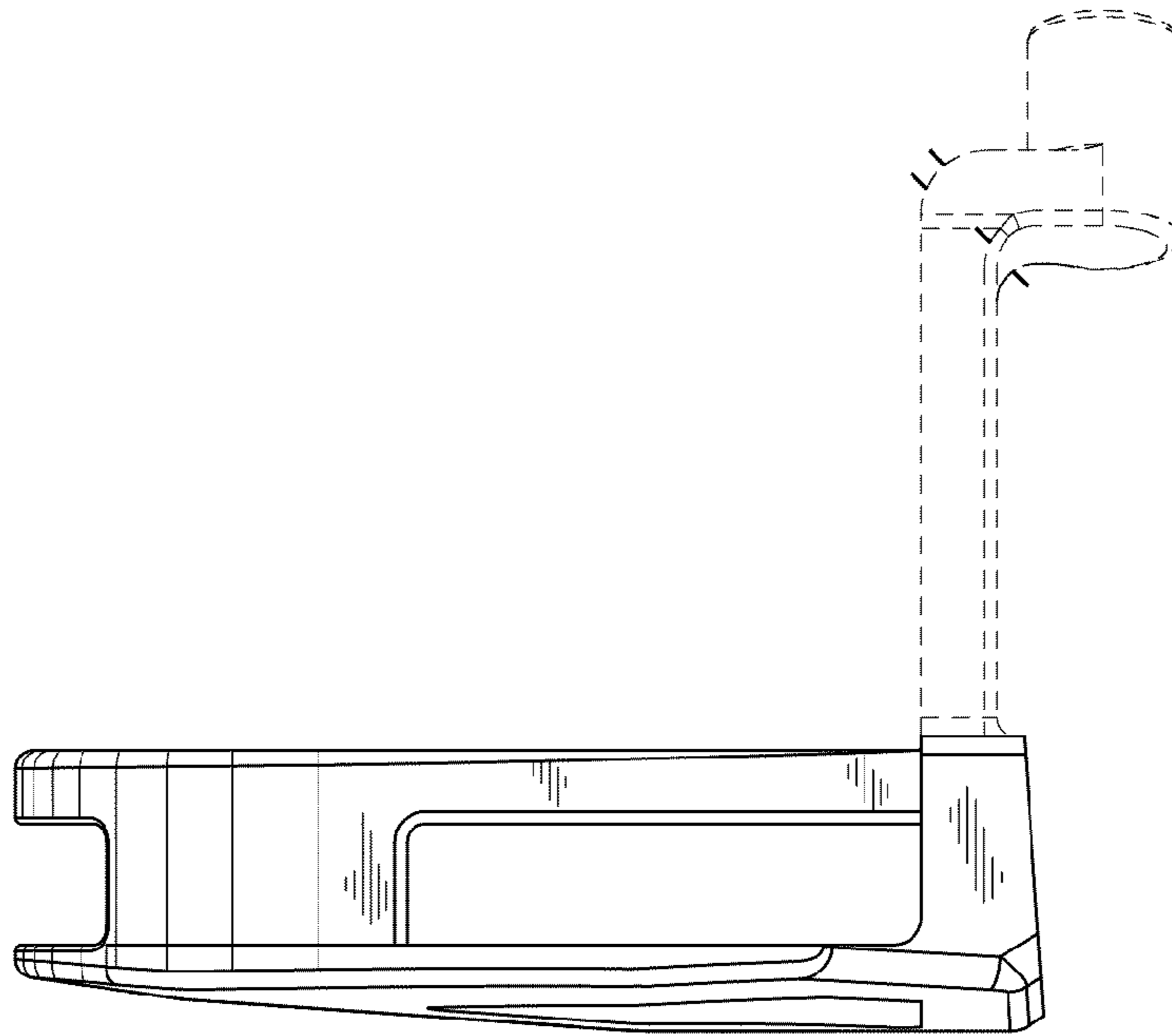


FIG. 7

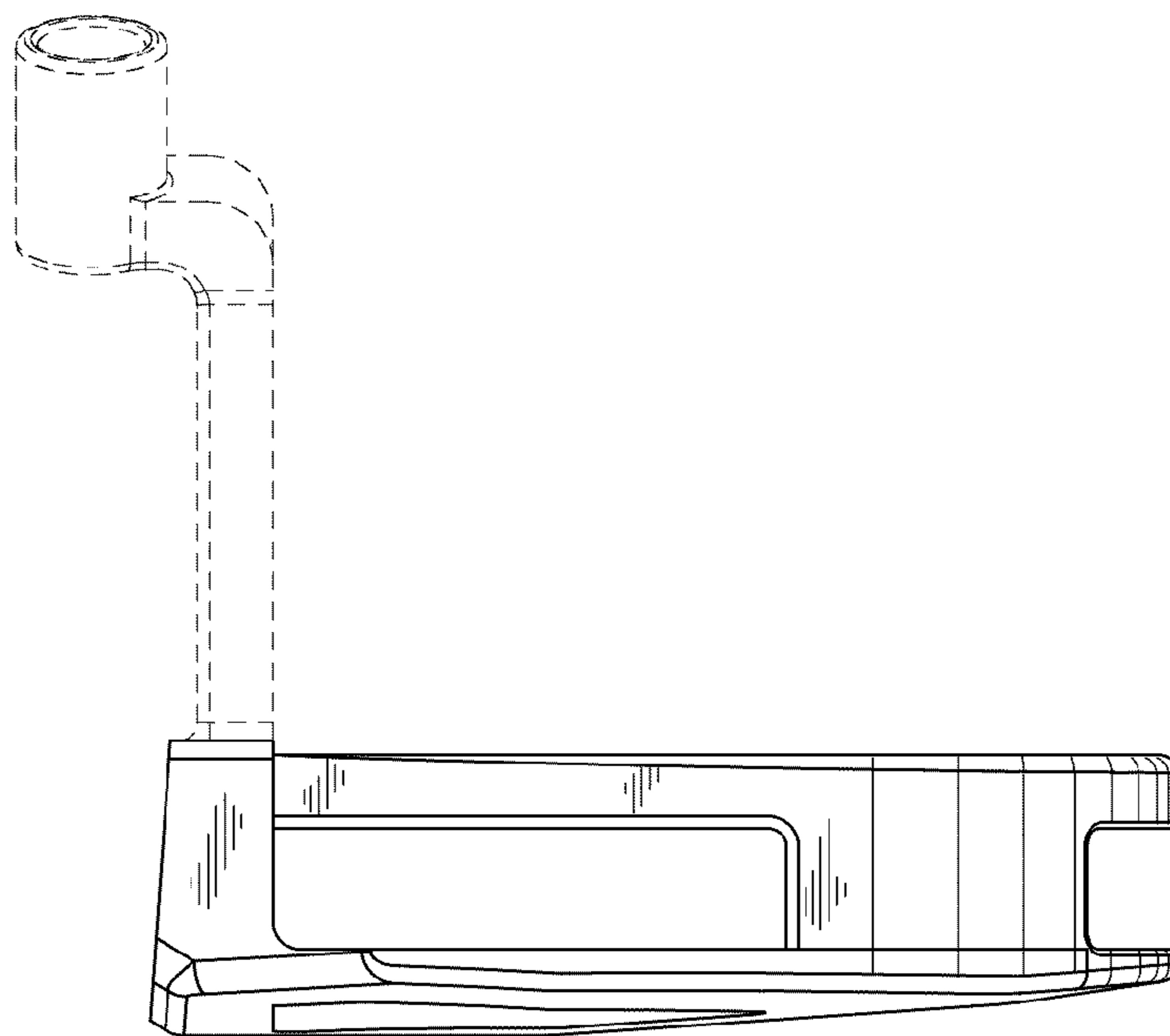


FIG. 8