



US00D643486S

(12) **United States Design Patent**  
**Serrano et al.**

(10) **Patent No.:** **US D643,486 S**

(45) **Date of Patent:** **\*\* Aug. 16, 2011**

- (54) **GOLF CLUB HEAD**
- (75) Inventors: **Anthony D. Serrano**, Anthem, AZ (US);  
**Xiaojian Chen**, Phoenix, AZ (US)
- (73) Assignee: **Karsten Manufacturing Corporation**,  
Phoenix, AZ (US)
- (\*\*) Term: **14 Years**

6,960,140	B2	11/2005	Solheim
6,966,845	B2	11/2005	Solheim
D520,584	S	5/2006	Karlsen
D521,582	S	5/2006	Souza
7,052,411	B2	5/2006	Solheim
D522,598	S	6/2006	Solheim
7,077,758	B2	7/2006	Rohrer
7,086,957	B2	8/2006	Solheim
D527,777	S	9/2006	Solheim
D529,108	S	9/2006	Stites
D529,109	S	9/2006	Jones

(Continued)

(21) Appl. No.: **29/382,977**

(22) Filed: **Jan. 10, 2011**

(51) **LOC (9) Cl.** ..... **21-02**

(52) **U.S. Cl.** ..... **D21/742**

(58) **Field of Classification Search** ..... D21/736-746,  
D21/759; 473/324-331, 340-341, 251-256

See application file for complete search history.

(56) **References Cited**

**U.S. PATENT DOCUMENTS**

3,884,477	A	5/1975	Bianco
4,030,766	A	6/1977	Derr
D316,129	S	4/1991	Bryson
5,482,281	A	1/1996	Anderson
D379,484	S	5/1997	Solheim
D380,029	S	6/1997	Anderson
D399,911	S	10/1998	Nicolette
5,842,935	A	12/1998	Nelson
D405,137	S	2/1999	Nelson
D410,717	S	6/1999	Anderson
6,159,108	A	12/2000	De La Pena
6,379,259	B1	4/2002	Opie
D486,872	S	2/2004	Schweigert
D488,526	S	4/2004	Souza
D500,109	S	12/2004	Solheim
D500,110	S	12/2004	Solheim
6,837,801	B1	1/2005	Souza
6,878,071	B1	4/2005	Schwieger
6,893,355	B2	5/2005	Souza
6,902,496	B2	6/2005	Solheim
D507,612	S	7/2005	Souza
6,926,615	B1	8/2005	Souza

**OTHER PUBLICATIONS**

Stina Sternberg and Ashley Mayo, "2008 Spring Equipment Preview," *Golf for Women*, May-Jun. 2008 at 114.

(Continued)

*Primary Examiner* — Mitchell Siegel

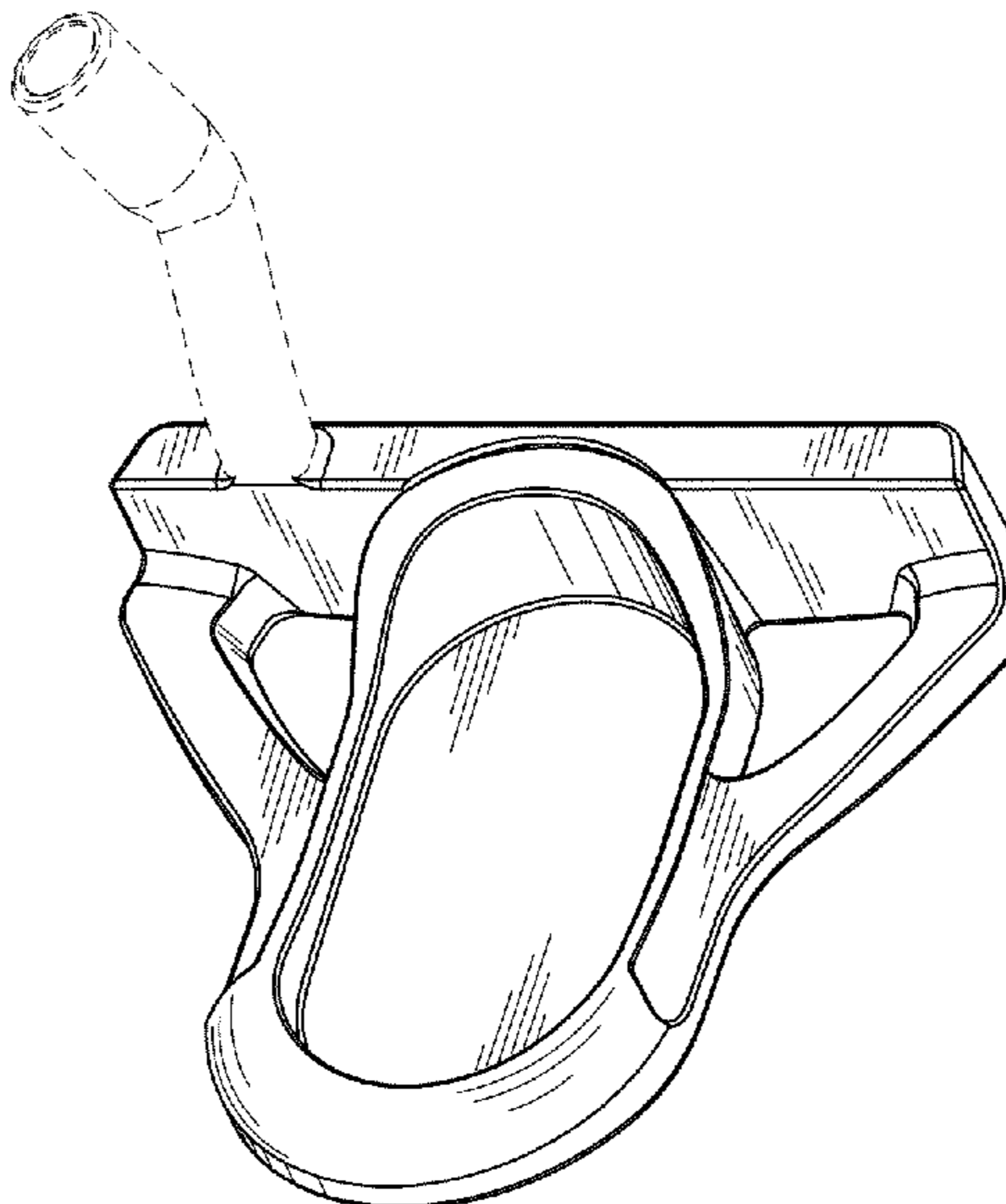
(57) **CLAIM**

The ornamental design for a golf club head, as shown and described.

**DESCRIPTION**

FIG. 1 is a top perspective view of a golf club head;  
 FIG. 2 is a bottom perspective view of the golf club head of FIG. 1;  
 FIG. 3 is a front elevational view of the golf club head of FIG. 1;  
 FIG. 4 is a rear elevational view of the golf club head of FIG. 1;  
 FIG. 5 is a top view of the golf club head of FIG. 1;  
 FIG. 6 is a bottom view of the golf club head of FIG. 1;  
 FIG. 7 is a left side view of the golf club head of FIG. 1; and,  
 FIG. 8 is a right side view of the golf club head of FIG. 1.  
 The broken lines shown in one or more of the figures are for illustrative purposes only and form no part of the claimed design.

**1 Claim, 4 Drawing Sheets**



# US D643,486 S

Page 2

## U.S. PATENT DOCUMENTS

D532,842 S 11/2006 Jones  
D532,843 S 11/2006 Jones  
D533,243 S 12/2006 Fife, Jr.  
7,235,021 B2 6/2007 Solheim  
D548,295 S 8/2007 Jertson  
7,255,650 B2 8/2007 Braynt  
D552,197 S 10/2007 Wells  
D565,137 S 3/2008 Oldknow  
D571,879 S \* 6/2008 Jones et al. .... D21/736  
D574,907 S \* 8/2008 Jones et al. .... D21/736  
D581,473 S 11/2008 Thomas  
D583,003 S 12/2008 Solheim  
D587,325 S 2/2009 Solheim  
D600,760 S \* 9/2009 Serrano et al. .... D21/736  
D600,761 S 9/2009 Solheim  
D600,762 S 9/2009 Serrano  
D607,950 S 1/2010 Souza  
7,651,411 B2 1/2010 Jones  
D621,458 S 8/2010 Serrano  
D621,460 S \* 8/2010 Serrano et al. .... D21/742  
D621,461 S \* 8/2010 Serrano et al. .... D21/742  
D621,462 S \* 8/2010 Serrano et al. .... D21/742  
D621,891 S \* 8/2010 Serrano et al. .... D21/742  
7,803,066 B2 9/2010 Solheim  
D629,476 S \* 12/2010 Serrano et al. .... D21/742

D632,747 S \* 2/2011 Jeffres ..... D21/742  
2005/0170904 A1 8/2005 Smeeth  
2006/0094533 A1 5/2006 Warren  
2006/0166755 A1 7/2006 Brown  
2007/0049402 A1 3/2007 Sanchez  
2007/0191135 A1 8/2007 Nilsson  
2009/0270196 A1 10/2009 Solheim  
2009/0305807 A1 12/2009 Solheim  
2010/0227704 A1 9/2010 Souza

## OTHER PUBLICATIONS

Stina Sternberg, "Hot List 2008—Putters," Golf Digest Feb. 2008 at 158-169 also available at: <http://www.golfdigest.com/equipment/ratings>.

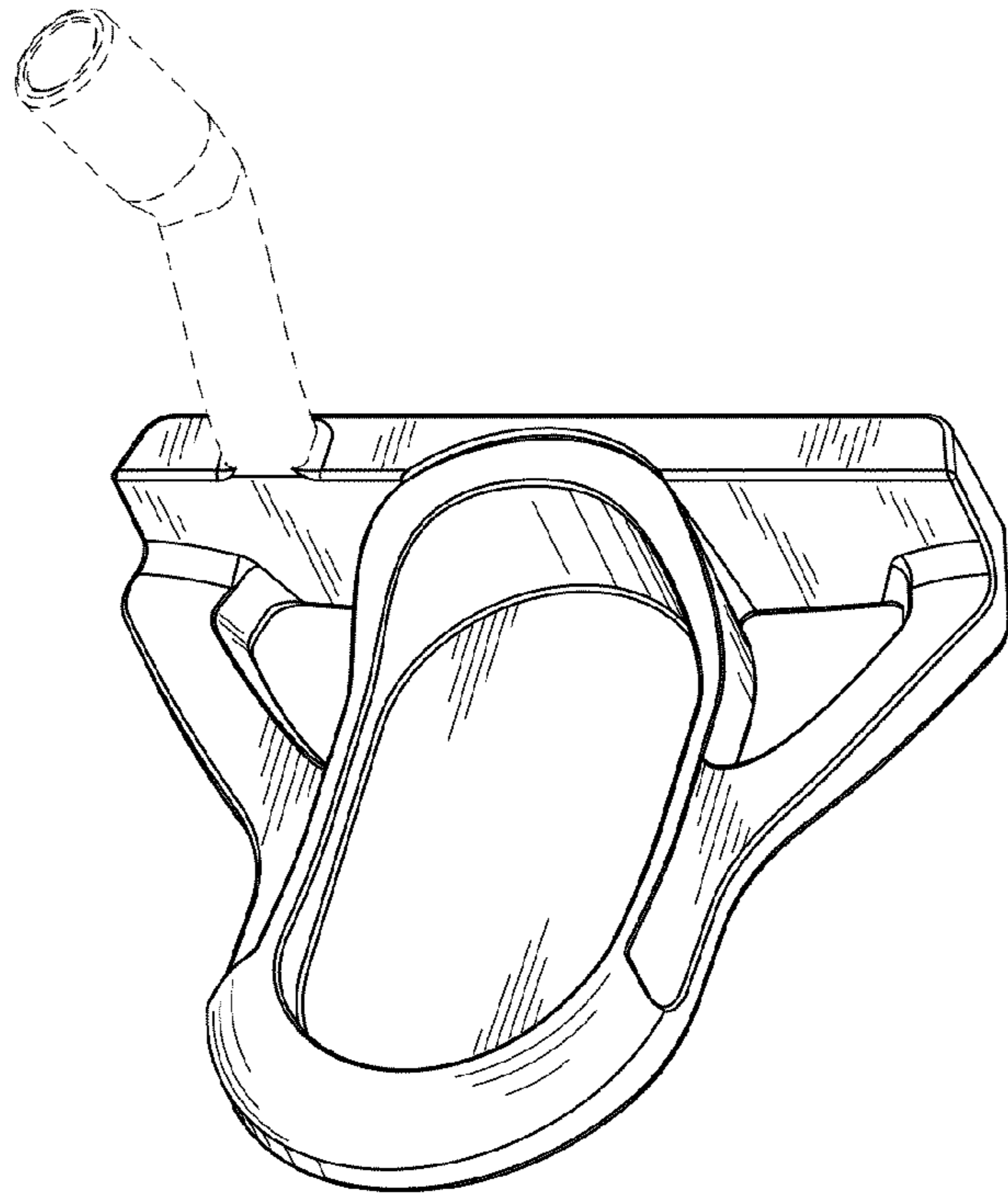
Michael R. Nicolette et al., "Golf Club Head," U.S. Appl. No. 29/378,880, filed Nov. 10, 2010.

Michael R. Nicolette, et al., "Golf Club Head," U.S. Appl. No. 29/382,850, filed Jan. 7, 2011.

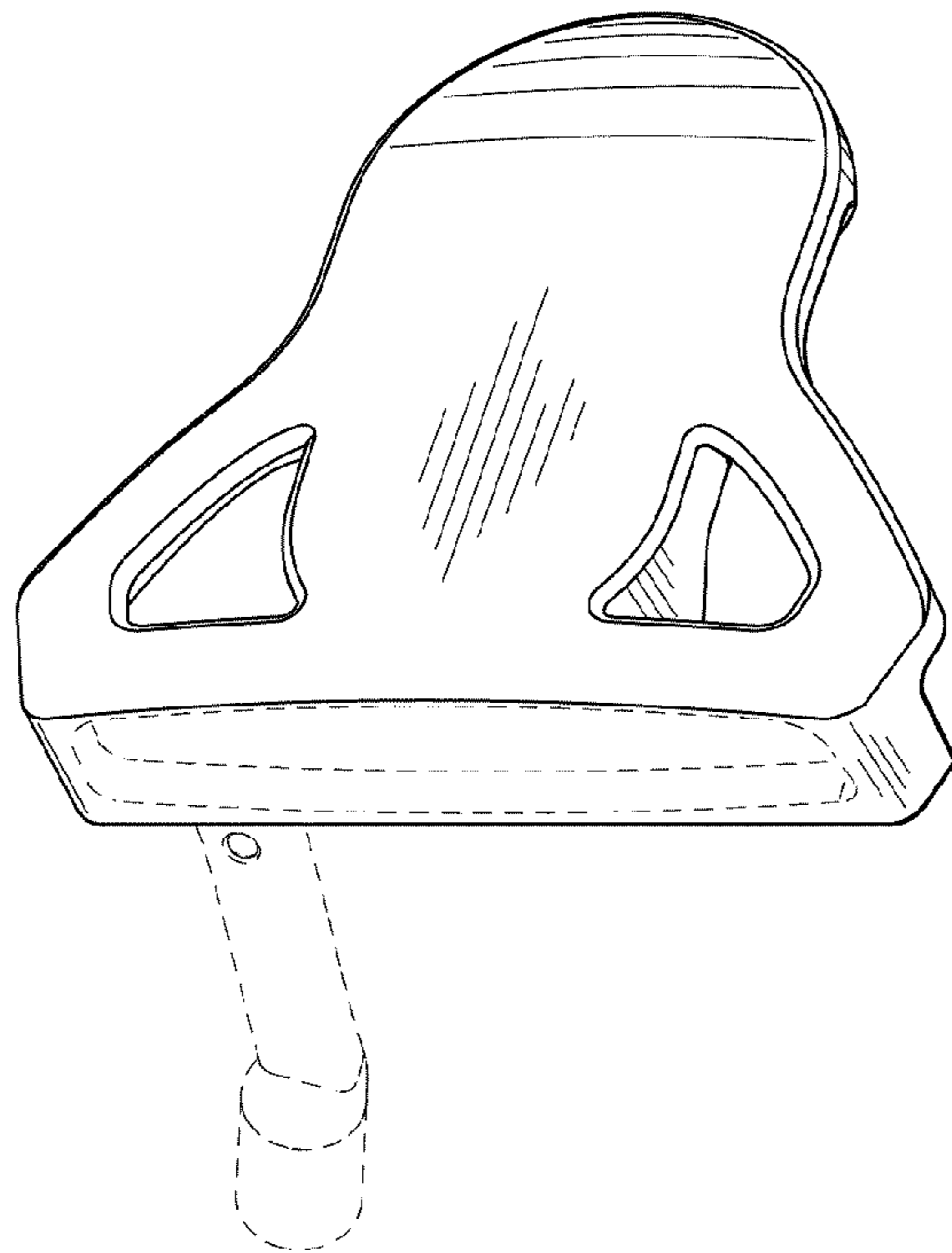
Anthony D. Serrano et al., "Golf Club Head," U.S. Appl. No. 29/382,978, filed Jan. 10, 2011.

Anthony D. Serrano et al., "Golf Club Head," U.S. Appl. No. 29/382,980, filed Jan. 10, 2011.

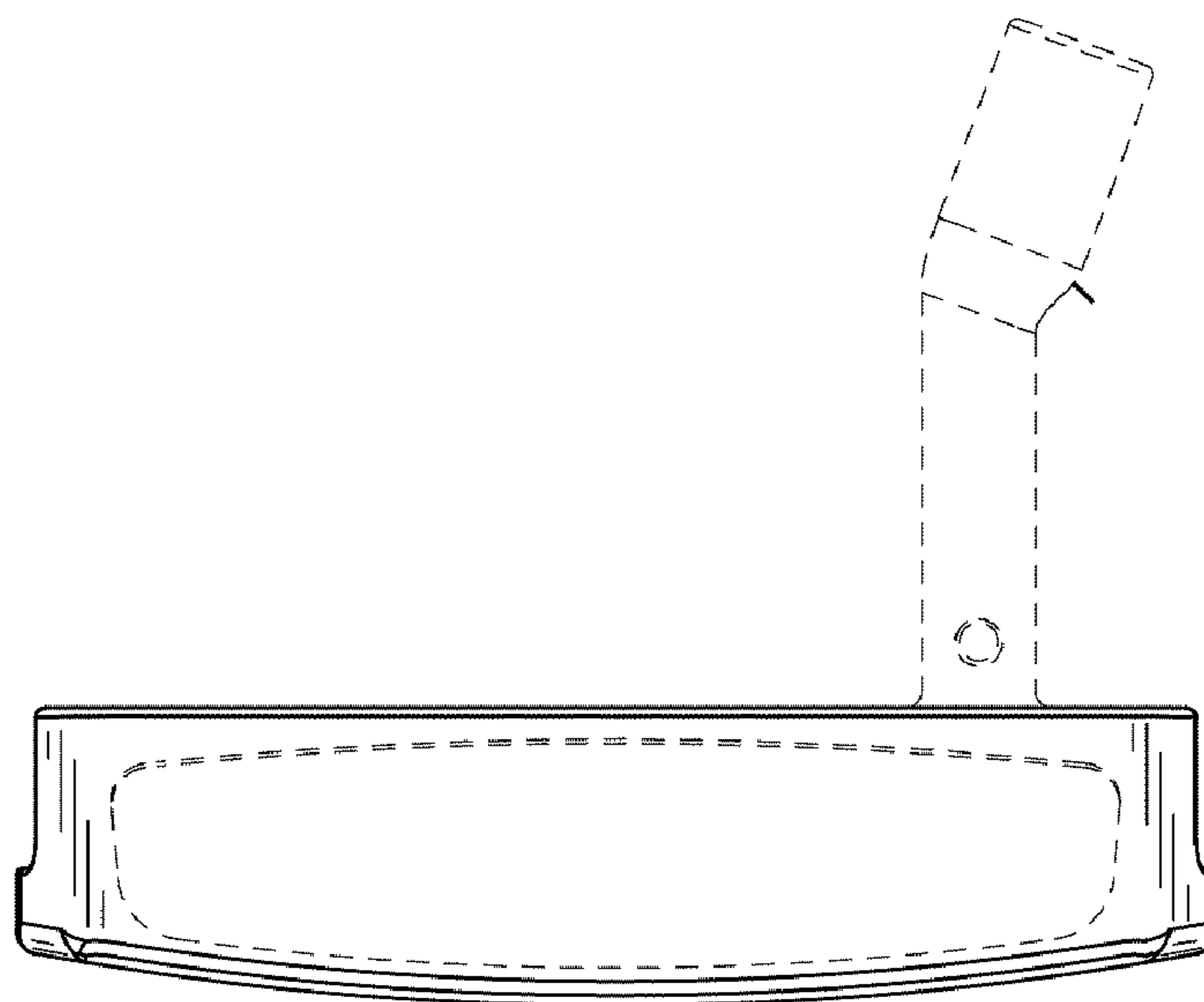
\* cited by examiner



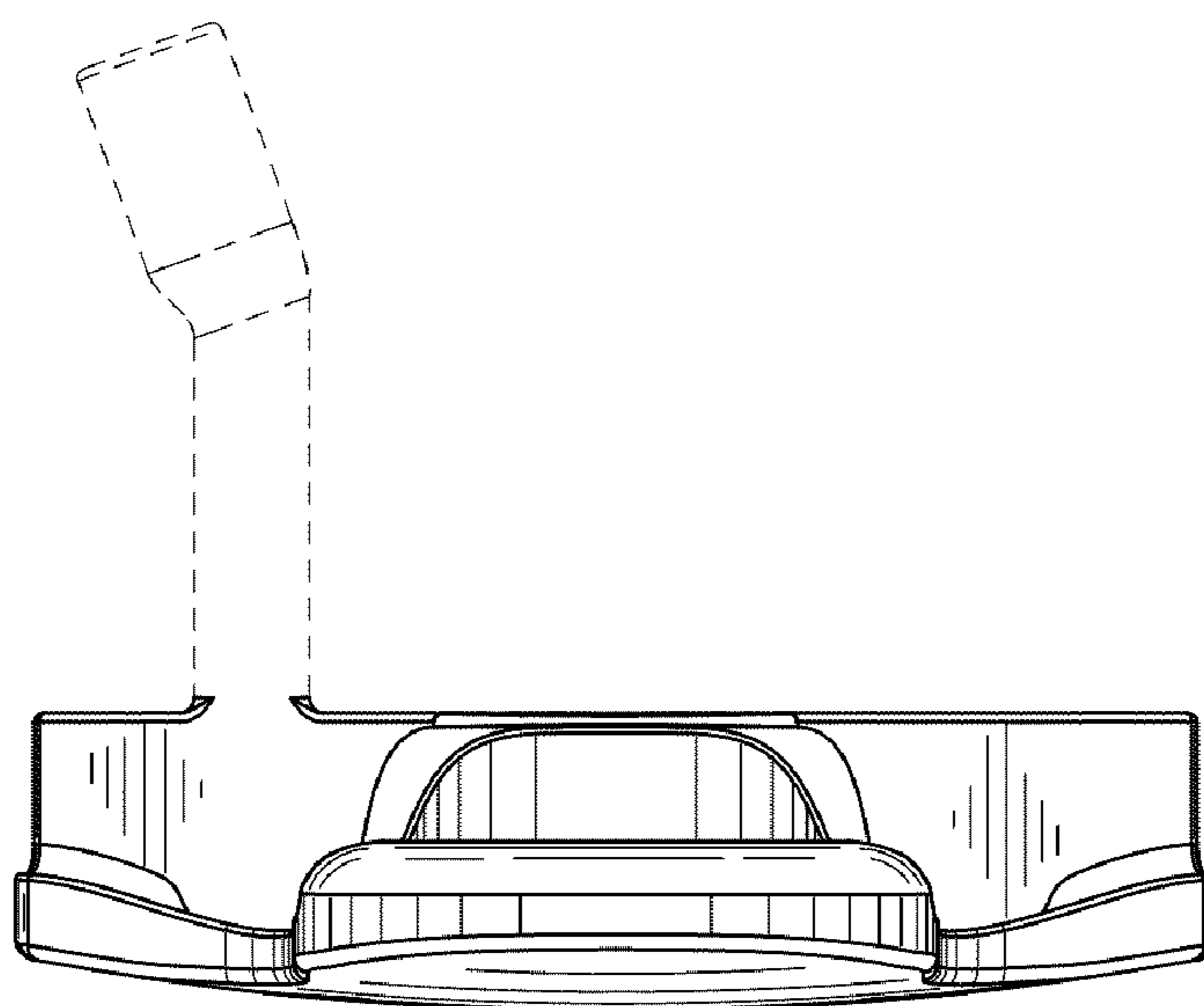
*FIG. 1*



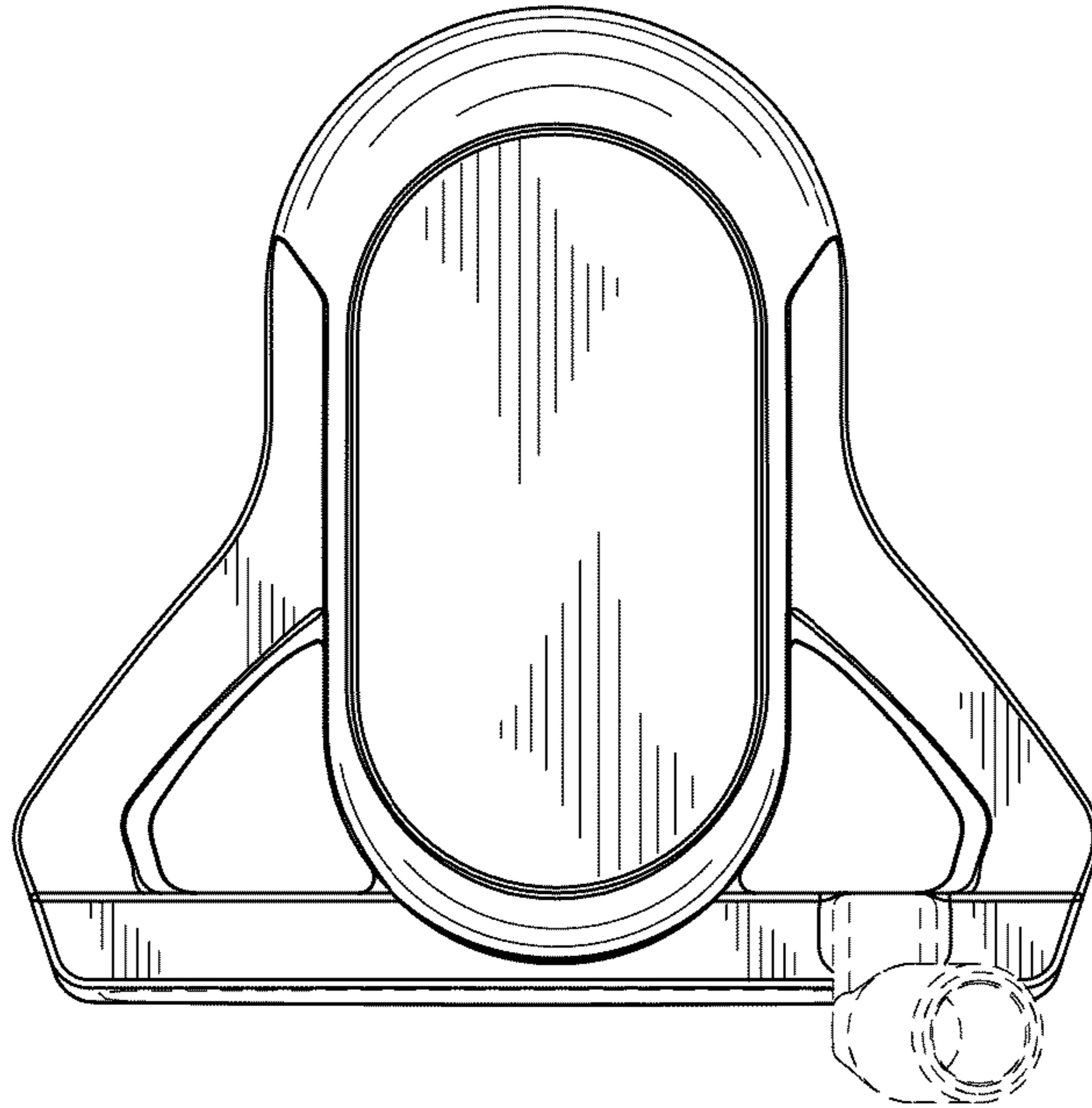
*FIG. 2*



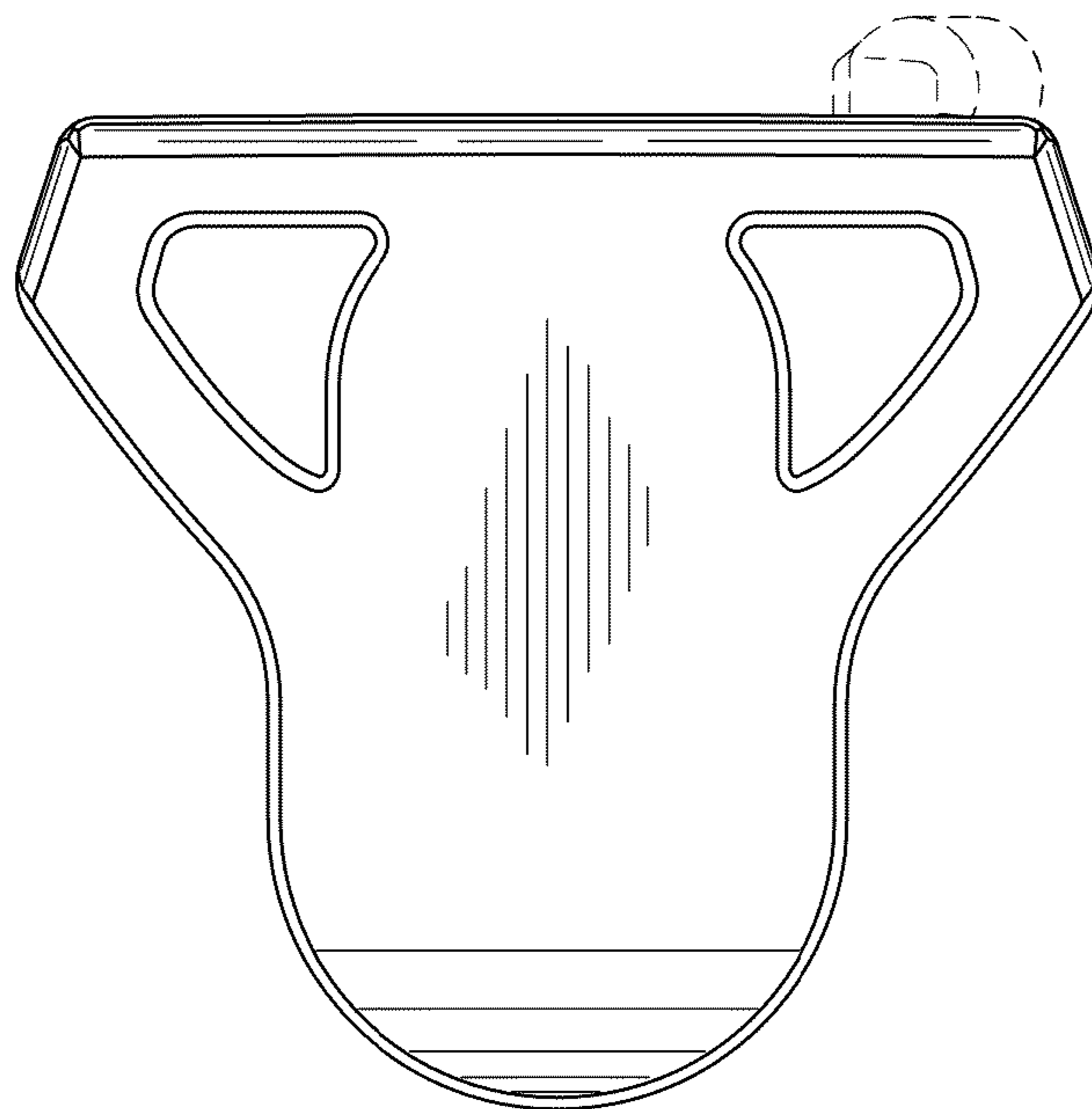
*FIG. 3*



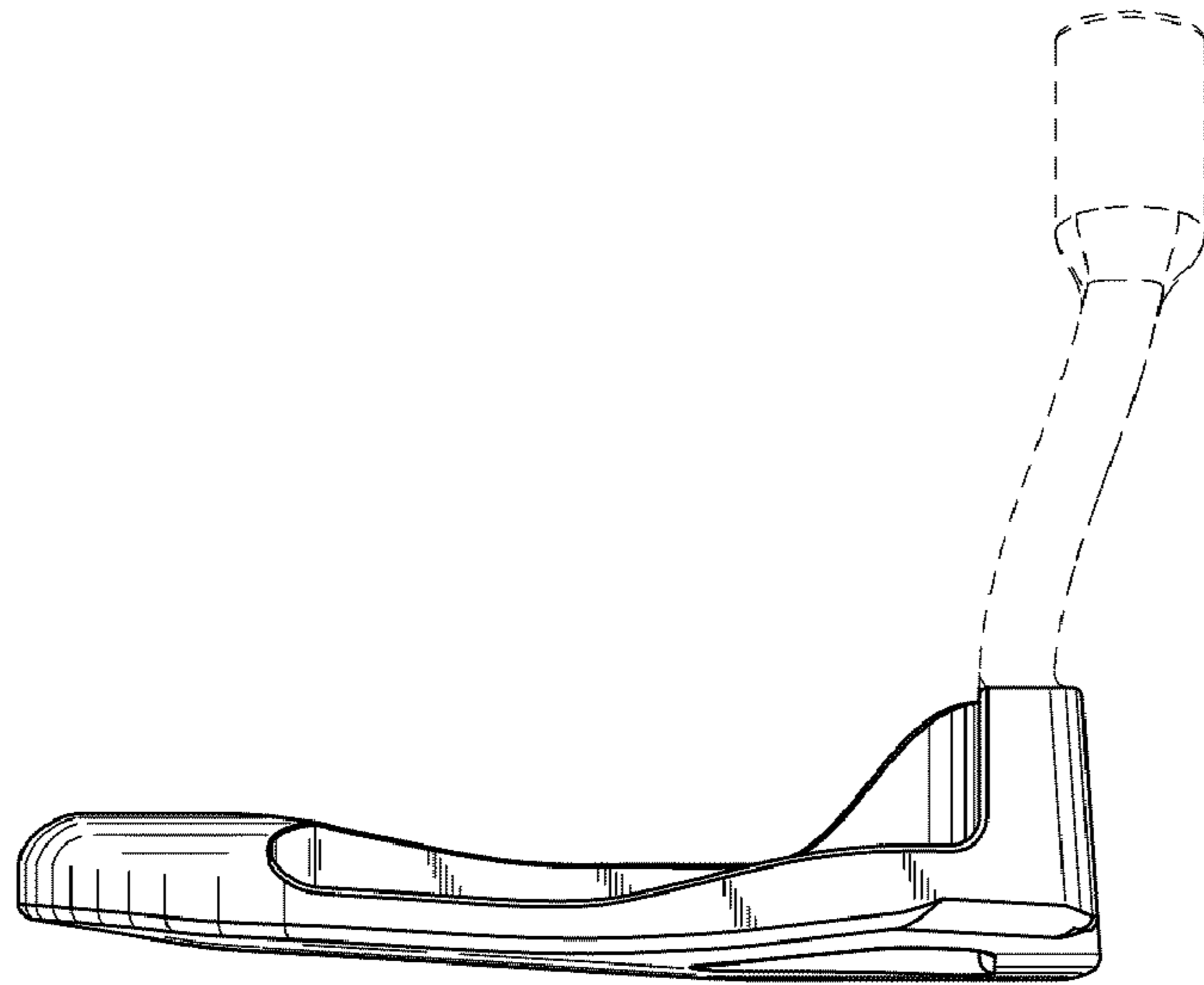
*FIG. 4*



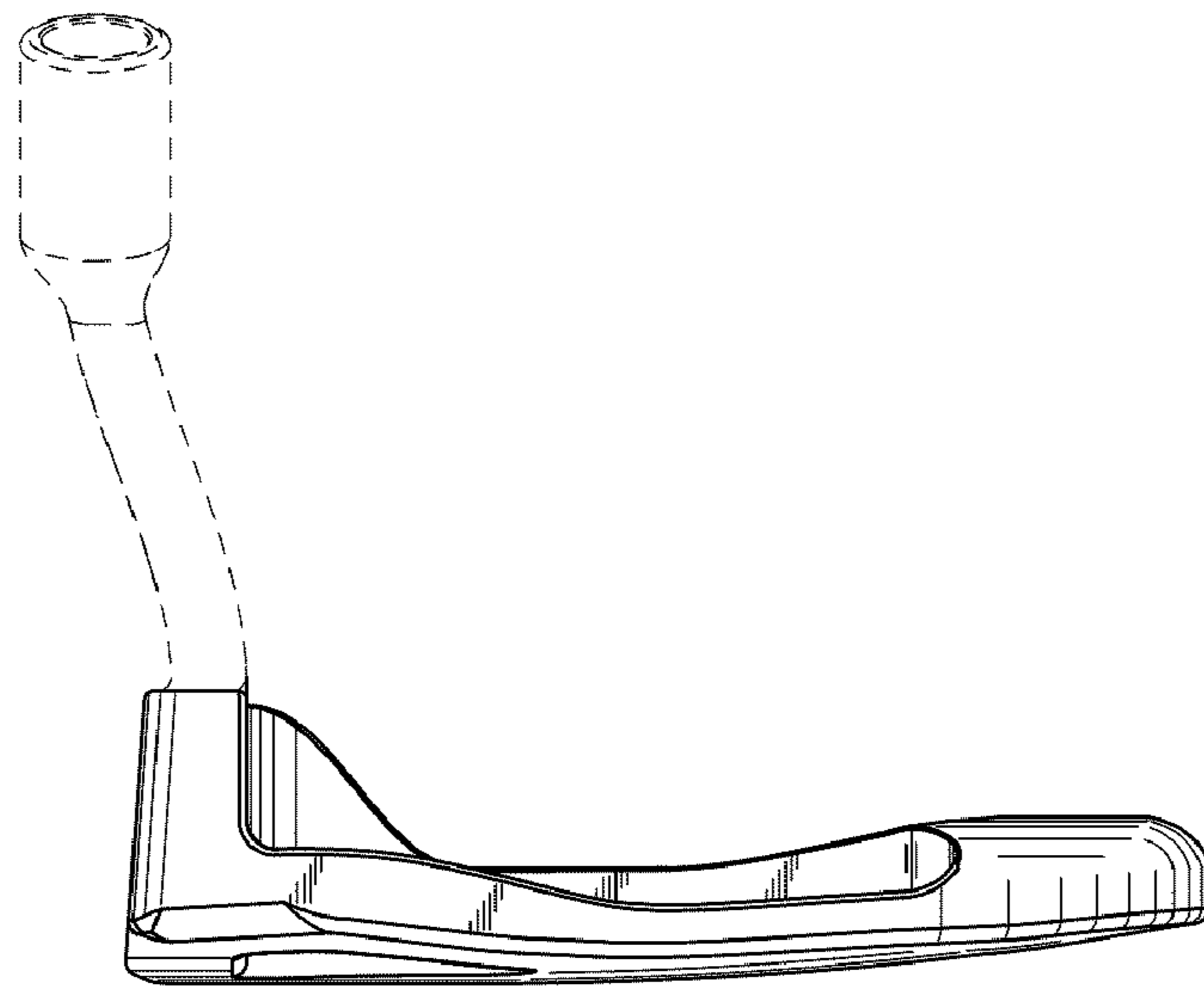
*FIG. 5*



*FIG. 6*



*FIG. 7*



*FIG. 8*