



US00D643482S

(12) **United States Design Patent**
Ho et al.

(10) **Patent No.:** **US D643,482 S**

(45) **Date of Patent:** **** Aug. 16, 2011**

(54) **TWISTING EXERCISER**

(76) Inventors: **Wei-Teh Ho**, Taipei (TW); **Wei-Yu Ho**, Taipei (TW)

(**) **Term:** **14 Years**

(21) **Appl. No.:** **29/348,071**

(22) **Filed:** **Nov. 24, 2009**

(51) **LOC (9) Cl.** **21-02**

(52) **U.S. Cl.** **D21/689**

(58) **Field of Classification Search** D21/662,
D21/686, 688, 689, 694; 482/51, 71, 96,
482/131-132, 140, 142, 146-147; 601/23,
601/33, 40, 127, 131

See application file for complete search history.

(56) **References Cited**

U.S. PATENT DOCUMENTS

4,313,603	A *	2/1982	Simjian	482/147
4,391,441	A *	7/1983	Simjian	482/131
4,989,860	A *	2/1991	Iams et al.	482/132
5,052,684	A *	10/1991	Kosuge et al.	482/118
D358,182	S *	5/1995	Yang	D21/670
5,433,690	A *	7/1995	Gilman	482/146
6,234,935	B1 *	5/2001	Chu	482/51
D491,239	S *	6/2004	Lamont	D21/688
6,918,856	B2 *	7/2005	Chang	482/51
6,918,861	B2 *	7/2005	Liao et al.	482/57

7,118,519	B2 *	10/2006	Slowinski	482/146
D567,312	S *	4/2008	Tsai	D21/688
7,666,121	B2 *	2/2010	Zhou	482/51
D613,351	S *	4/2010	Splane	D21/689
2005/0043143	A1 *	2/2005	Chuang	482/51
2005/0266964	A1 *	12/2005	Teng	482/71
2009/0203499	A1 *	8/2009	Svatkova Hoeven et al.	482/1
2010/0190621	A1 *	7/2010	Palmer	482/121

* cited by examiner

Primary Examiner — Susan E Krakower

(74) *Attorney, Agent, or Firm* — Jackson IPG PLLC;
Demian K. Jackson

(57) **CLAIM**

The ornamental design for a twisting exerciser, as shown and described.

DESCRIPTION

FIG. 1 is a perspective view of a twisting exerciser showing my new design;

FIG. 2 is a front view thereof;

FIG. 3 is a rear view thereof;

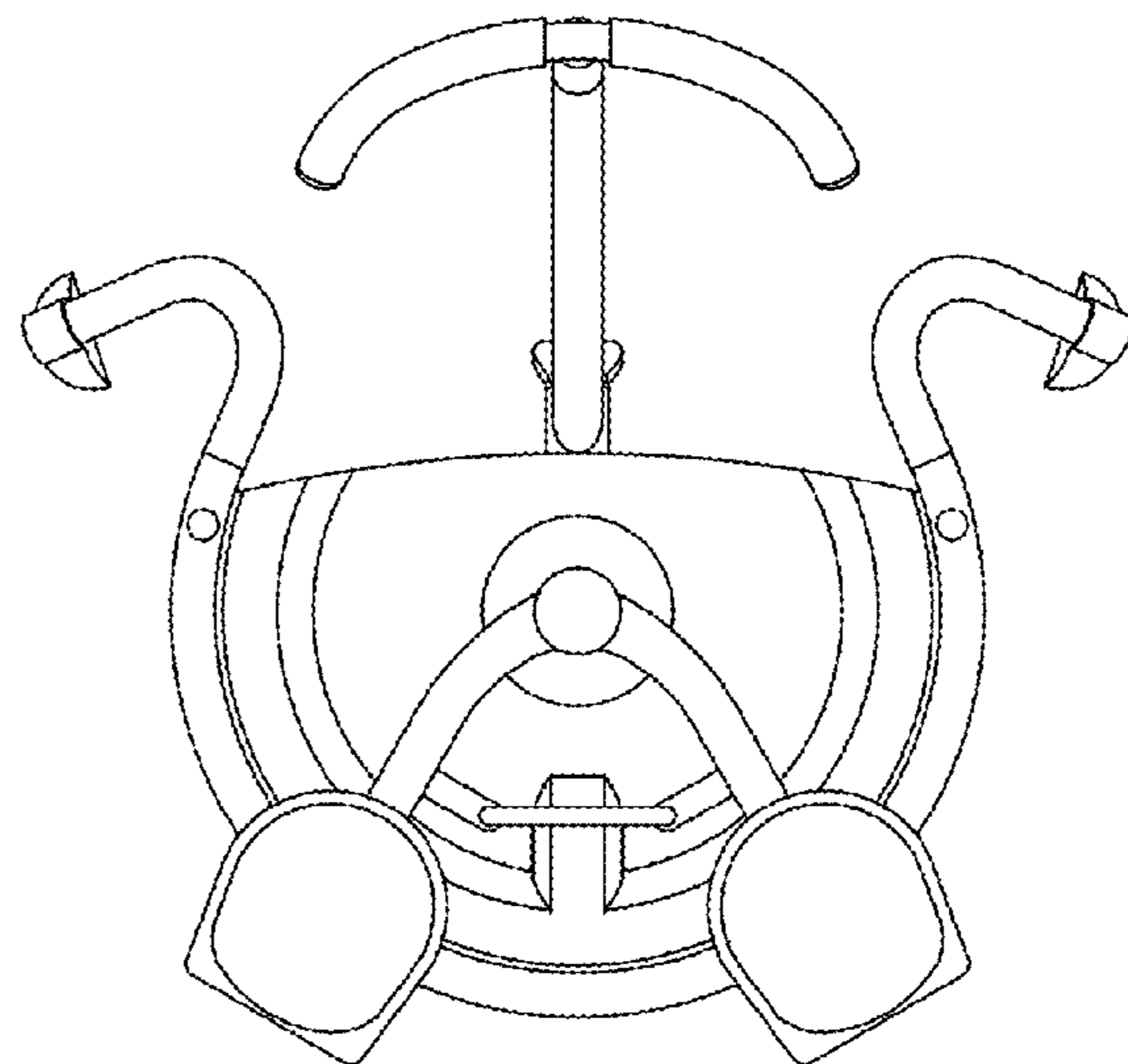
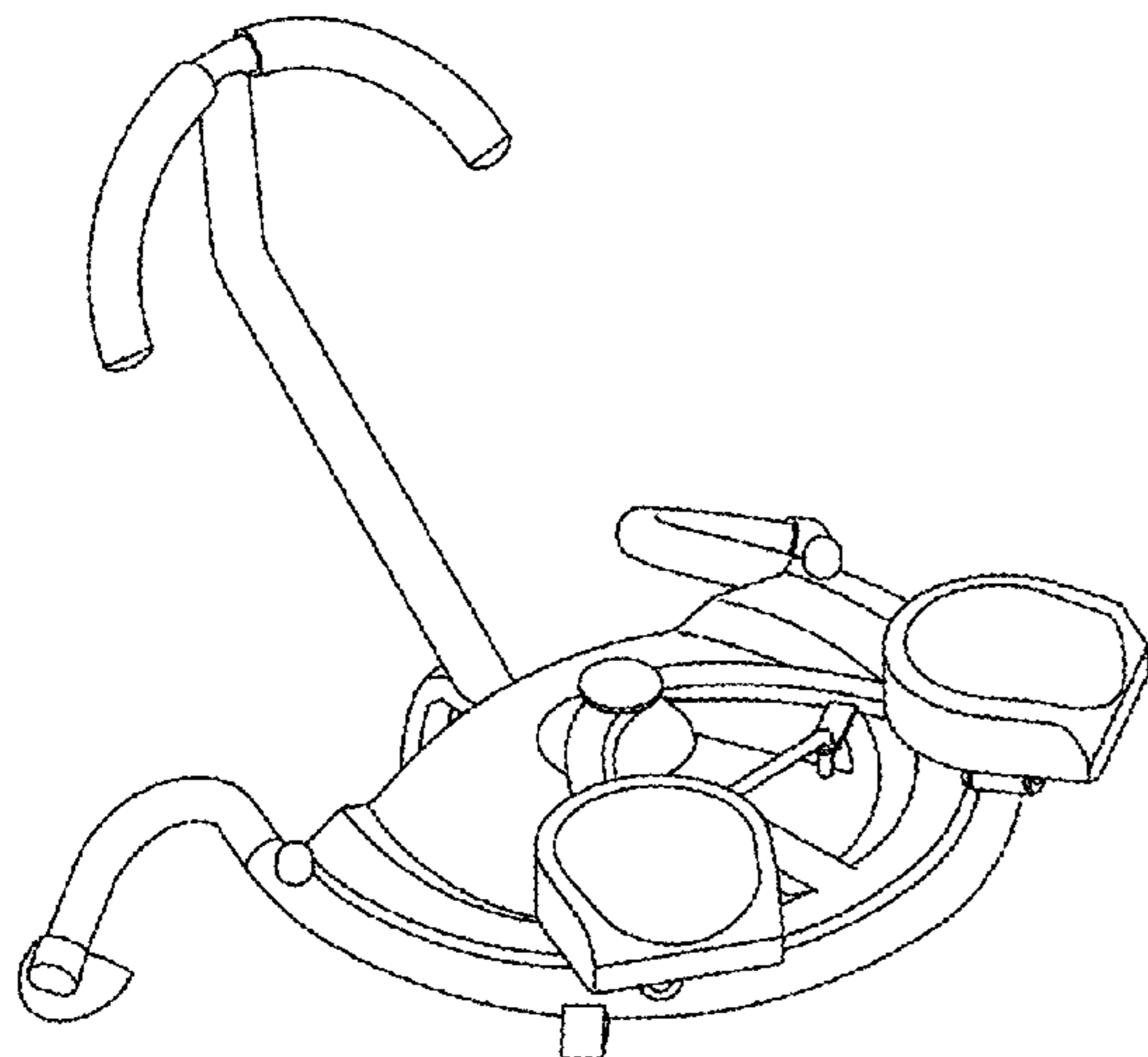
FIG. 4 is a right side view thereof;

FIG. 5 is a left side view thereof;

FIG. 6 is a top plan view thereof; and,

FIG. 7 is a bottom plan view thereof.

1 Claim, 4 Drawing Sheets



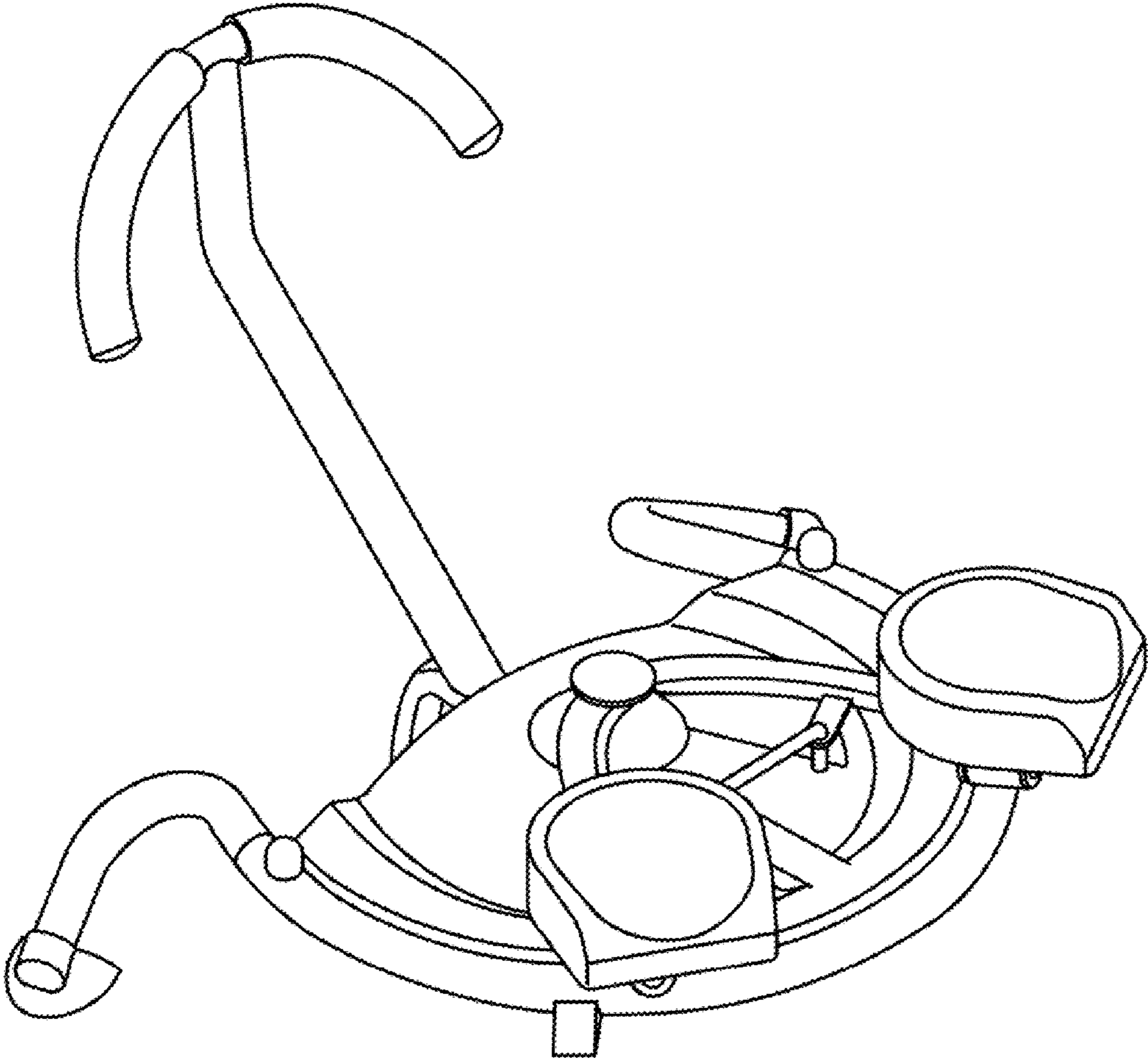


FIG. 1

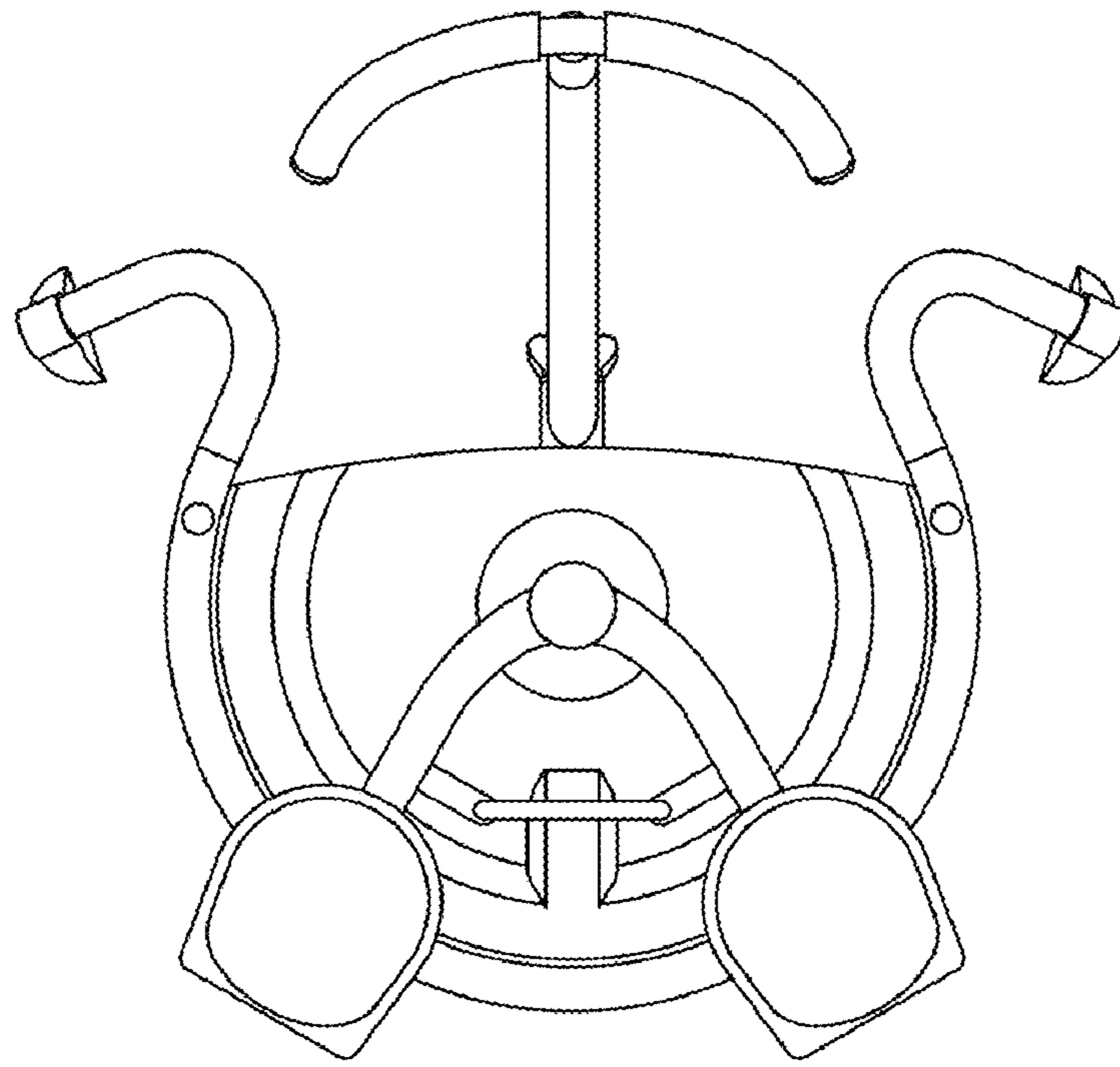


FIG. 2

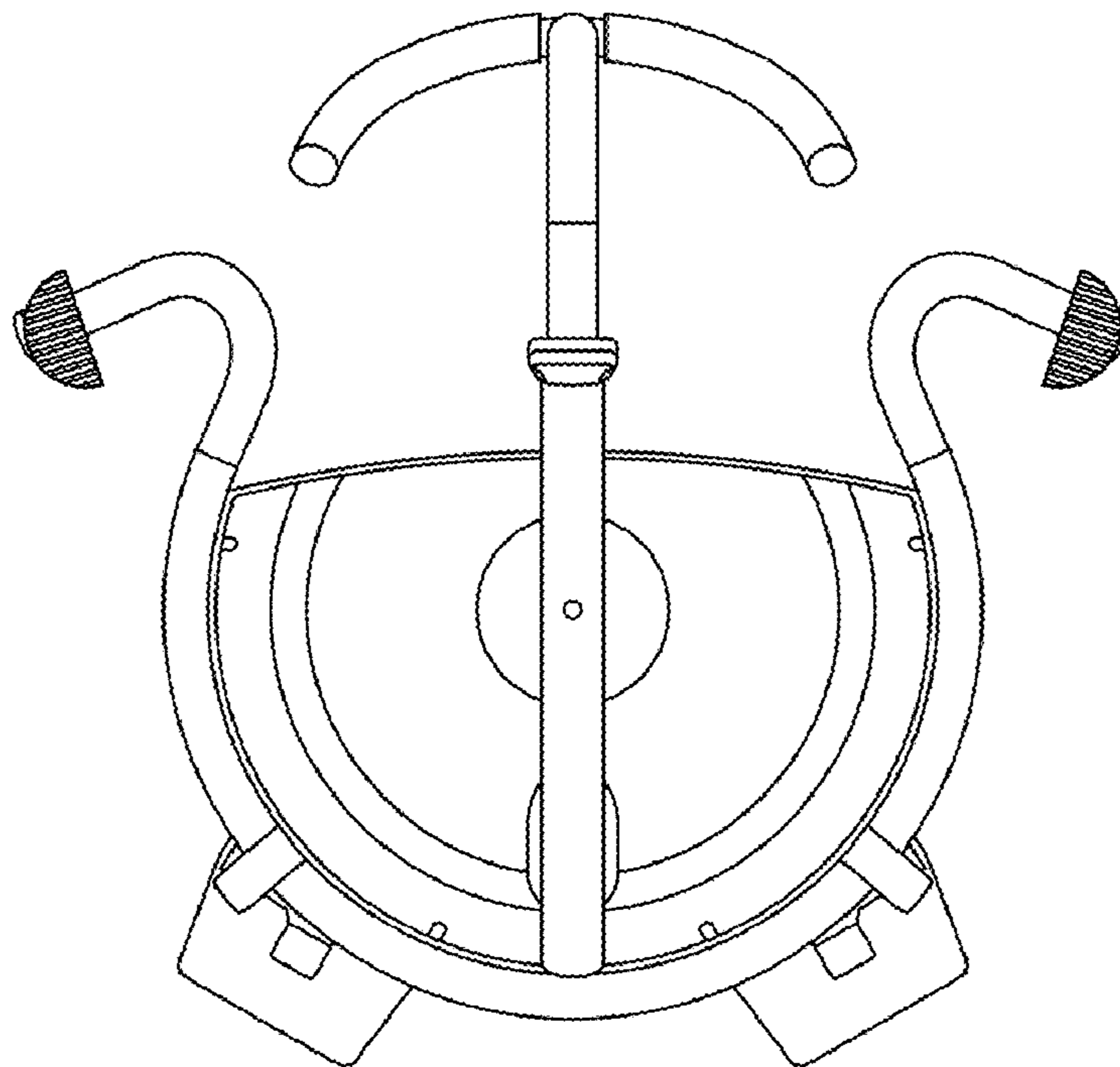


FIG. 3

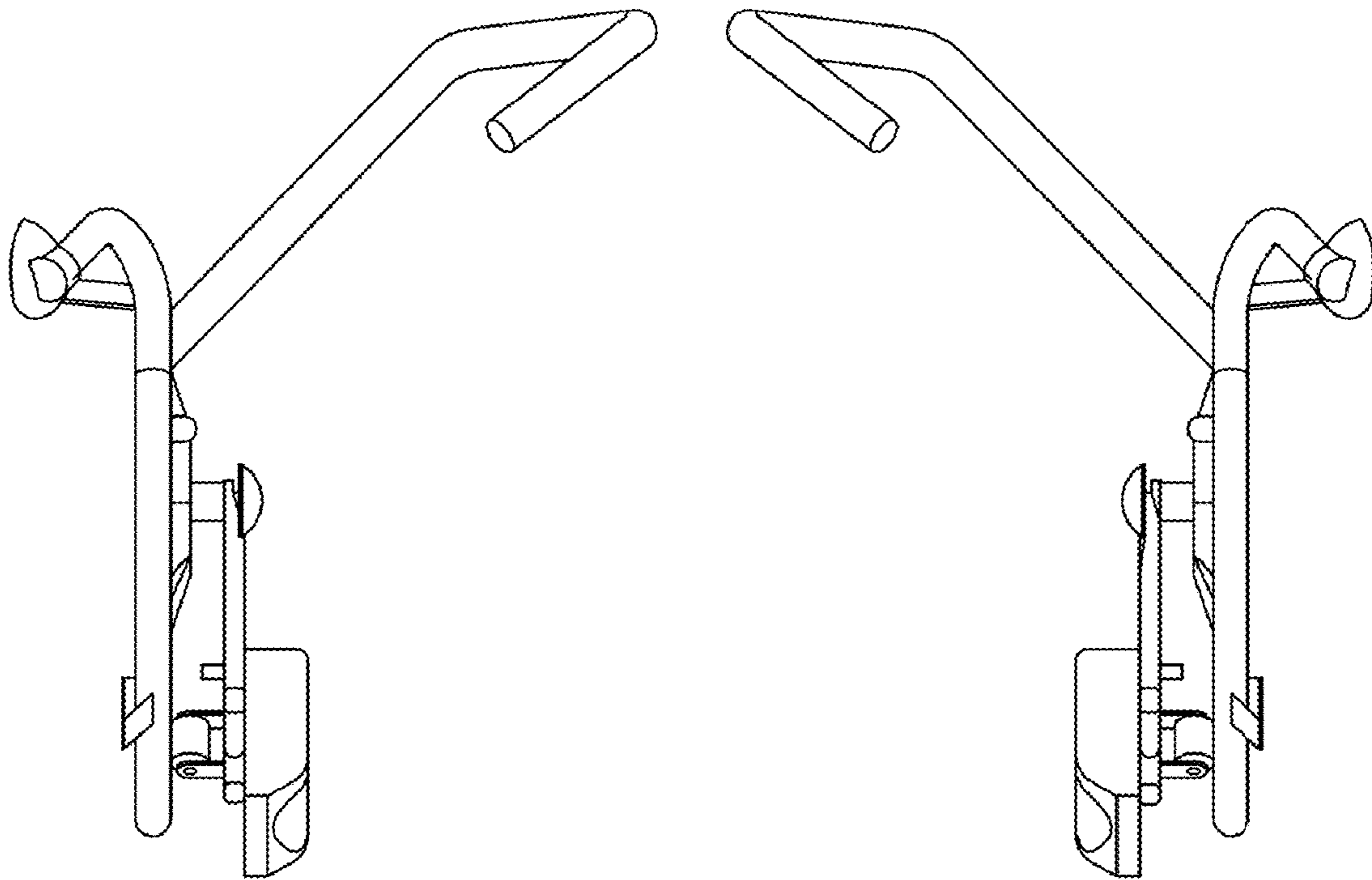


FIG. 5

FIG. 4

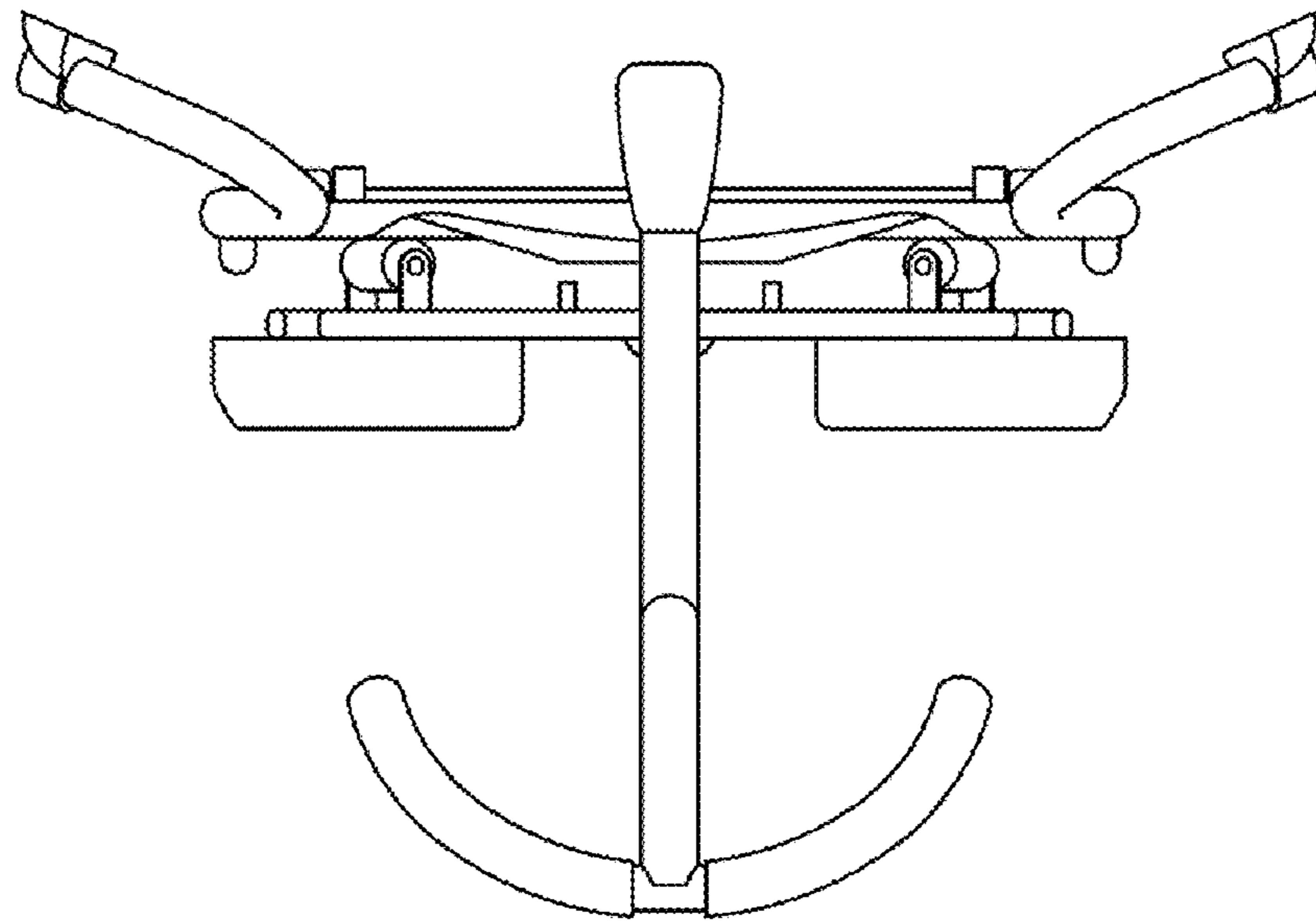


FIG. 6

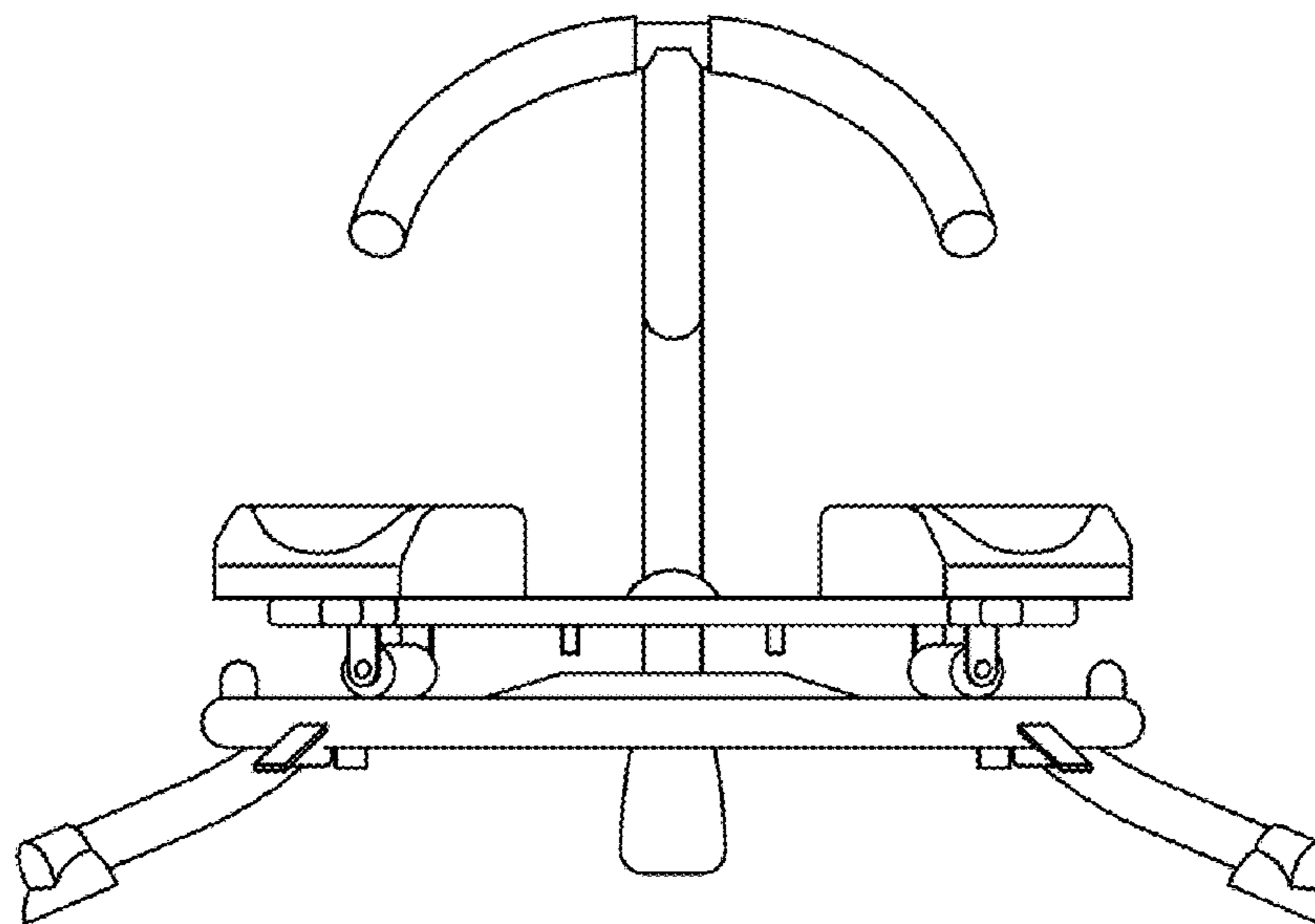


FIG. 7