



US00D643481S

(12) **United States Design Patent**
Rauwerdink

(10) **Patent No.:** **US D643,481 S**

(45) **Date of Patent:** **** Aug. 16, 2011**

(54) **DUMBBELL**

(75) Inventor: **Matthew Alan Rauwerdink**, Portland,
OR (US)

(73) Assignee: **Nautilus, Inc.**, Vancouver, WA (US)

(**) Term: **14 Years**

(21) Appl. No.: **29/376,162**

(22) Filed: **Oct. 1, 2010**

(51) **LOC (9) Cl.** **21-02**

(52) **U.S. Cl.** **D21/681**

(58) **Field of Classification Search** D21/662,
D21/677-678, 680-685, 692, 694; 482/92-94,
482/97-111, 114-115, 138

See application file for complete search history.

(56) **References Cited**

U.S. PATENT DOCUMENTS

D271,408 S *	11/1983	Bauer	D21/681
5,839,997 A	11/1998	Roth et al.		
D425,152 S	5/2000	Ceppo		
D425,950 S	5/2000	Ceppo		
D429,295 S	8/2000	Ceppo		
6,099,442 A	8/2000	Krull		
6,123,651 A	9/2000	Ellenburg		
D453,542 S	2/2002	Louiso		
6,656,093 B2	12/2003	Chen		
6,682,464 B2	1/2004	Shifferaw		
D487,490 S	3/2004	Evans		
D508,628 S	8/2005	Crawford et al.		
D528,173 S	9/2006	Flick et al.		
D528,611 S	9/2006	Flick et al.		
7,121,988 B2	10/2006	Walkerdine		
7,137,931 B2	11/2006	Liu		
D536,752 S *	2/2007	Walkerdine	D21/681
D540,405 S *	4/2007	Crawford et al.	D21/681
D540,894 S	4/2007	Crawford et al.		
7,223,214 B2	5/2007	Chen		
7,261,678 B2	8/2007	Crawford et al.		
7,285,078 B1	10/2007	Liu		
7,387,597 B2 *	6/2008	Krull	482/108
7,452,312 B2	11/2008	Liu		

D584,086 S	1/2009	Gettle		
7,485,077 B2 *	2/2009	Chen	482/108
7,578,772 B2 *	8/2009	Lippitt	482/108
D603,002 S	10/2009	Gettle et al.		
7,604,578 B2 *	10/2009	Liu	482/108
D603,469 S	11/2009	Golesh et al.		
D603,915 S	11/2009	Golesh et al.		
7,614,982 B2	11/2009	Crawford et al.		
7,648,448 B2 *	1/2010	Krull	482/108
D610,636 S *	2/2010	Golesh et al.	D21/681
7,678,030 B2	3/2010	Savage		
7,704,197 B2	4/2010	Yu		
D617,854 S	6/2010	Gettle		
7,794,373 B2	9/2010	Crawford et al.		
7,811,213 B2 *	10/2010	Chen	482/108
2003/0114276 A1	6/2003	Schiff		
2006/0189458 A1	8/2006	Walkerdine		
2006/0223684 A1	10/2006	Krull		
2007/0037675 A1 *	2/2007	Doudiet	482/107
2007/0161474 A1	7/2007	Lippitt		
2007/0225132 A1	9/2007	Liu		
2008/0039299 A1	2/2008	Crawford et al.		
2009/0042700 A1	2/2009	Liu		
2009/0124470 A1 *	5/2009	Yu	482/107
2009/0186748 A1	7/2009	Golesh et al.		

* cited by examiner

Primary Examiner — Susan E Krakower

(74) *Attorney, Agent, or Firm* — Klarquist Sparkman, LLP

(57) **CLAIM**

The ornamental design for a dumbbell, as shown and described.

DESCRIPTION

FIG. 1 is a top perspective view of a dumbbell.
FIG. 2 is a left side elevational view of the dumbbell.
FIG. 3 is a right side elevational view of the dumbbell.
FIG. 4 is an end elevational view of the dumbbell, the opposite end being a mirror image thereof.
FIG. 5 is a top plan view of the dumbbell; and,
FIG. 6 is a bottom plan view of the dumbbell.
The broken lines illustrate portions of the dumbbell which form no part of the claimed design.

1 Claim, 3 Drawing Sheets

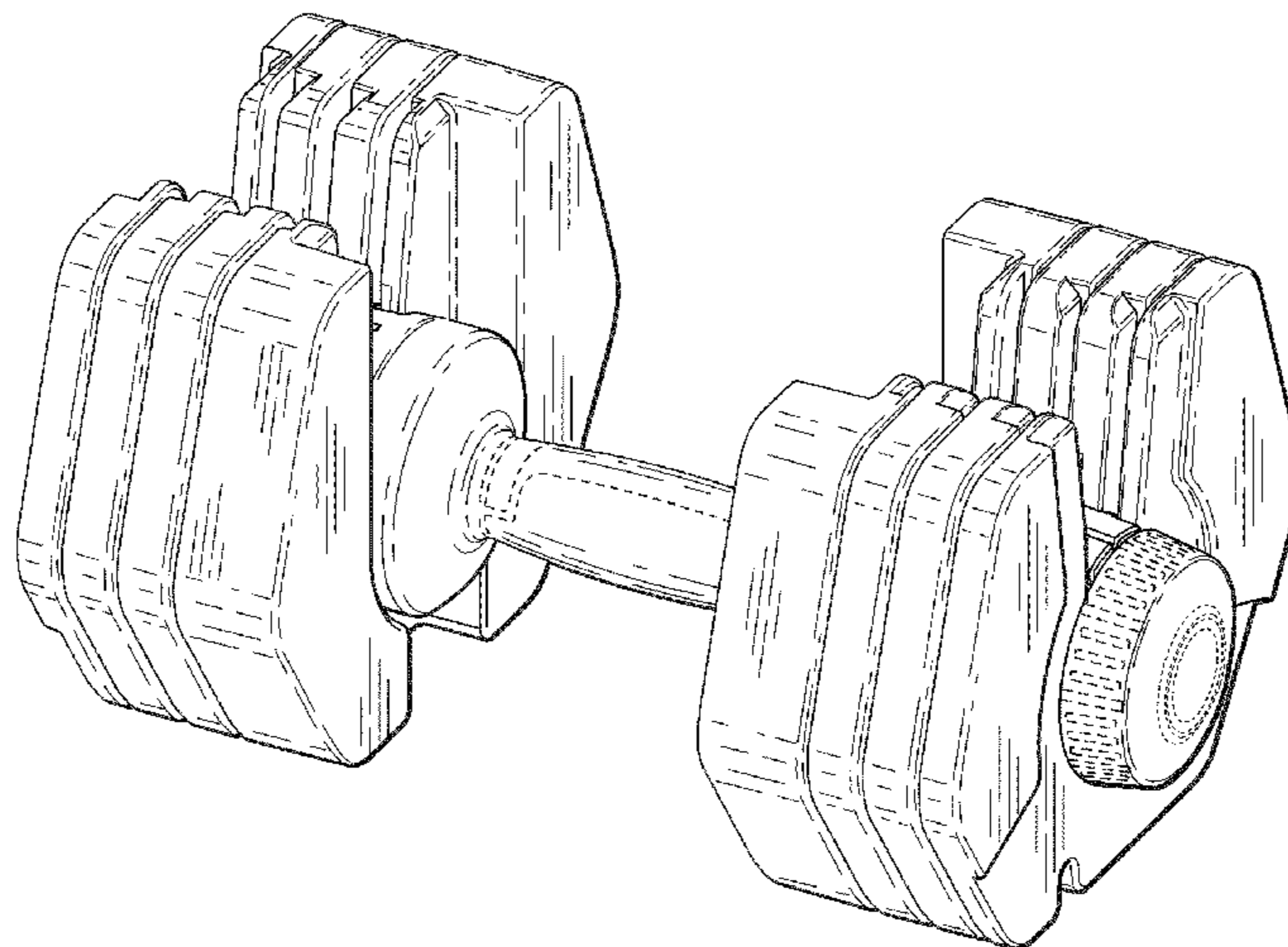


FIG. 1

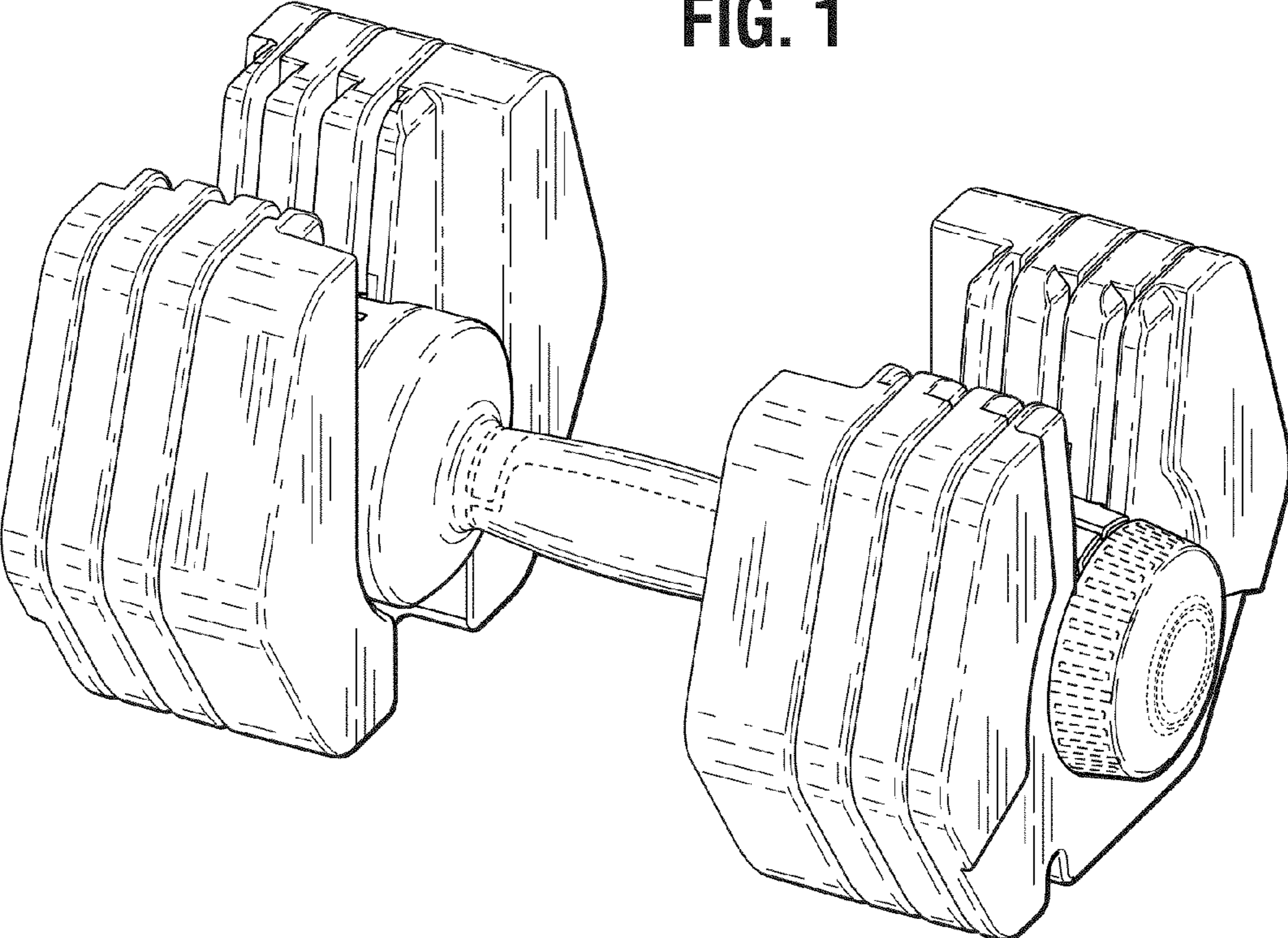


FIG. 2

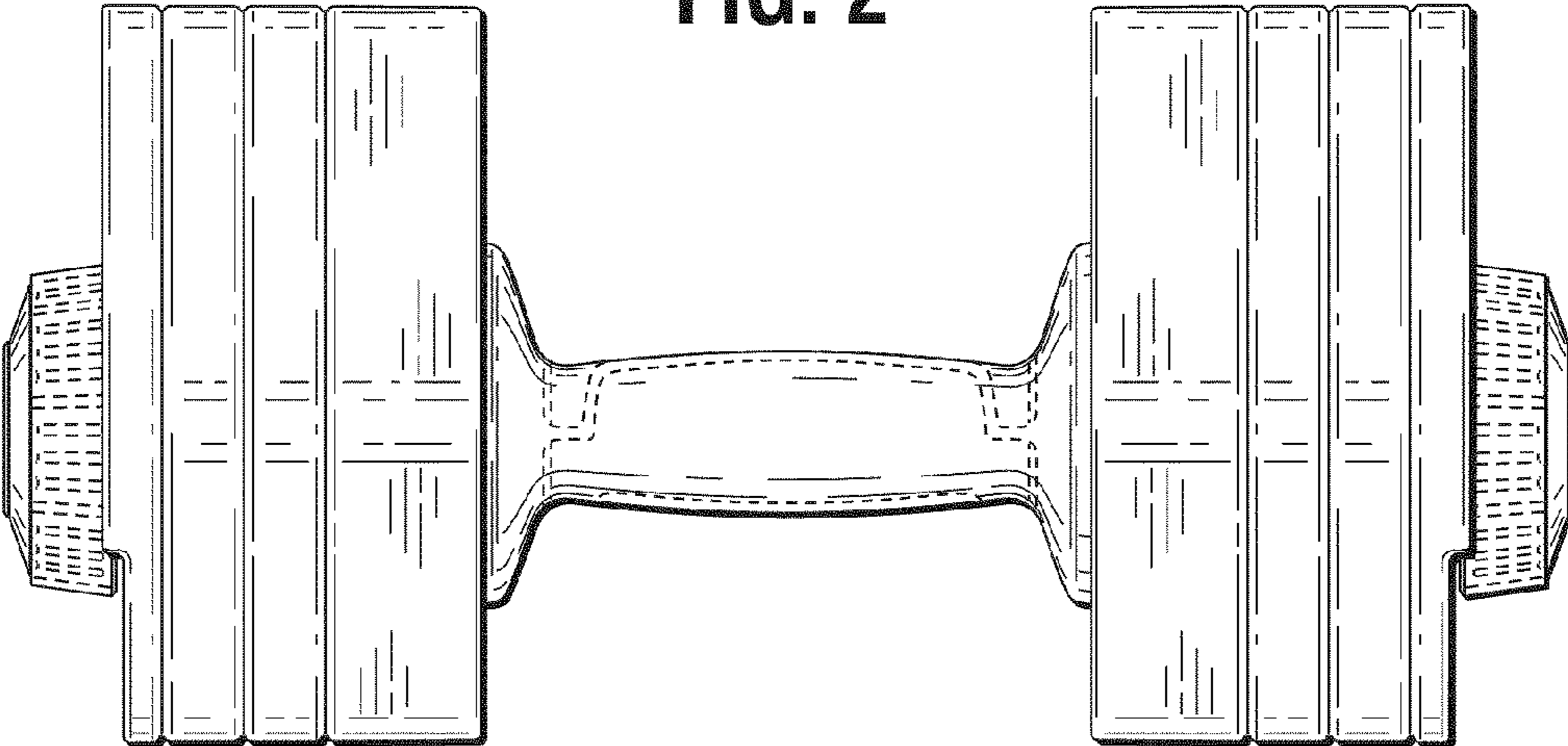


FIG. 3

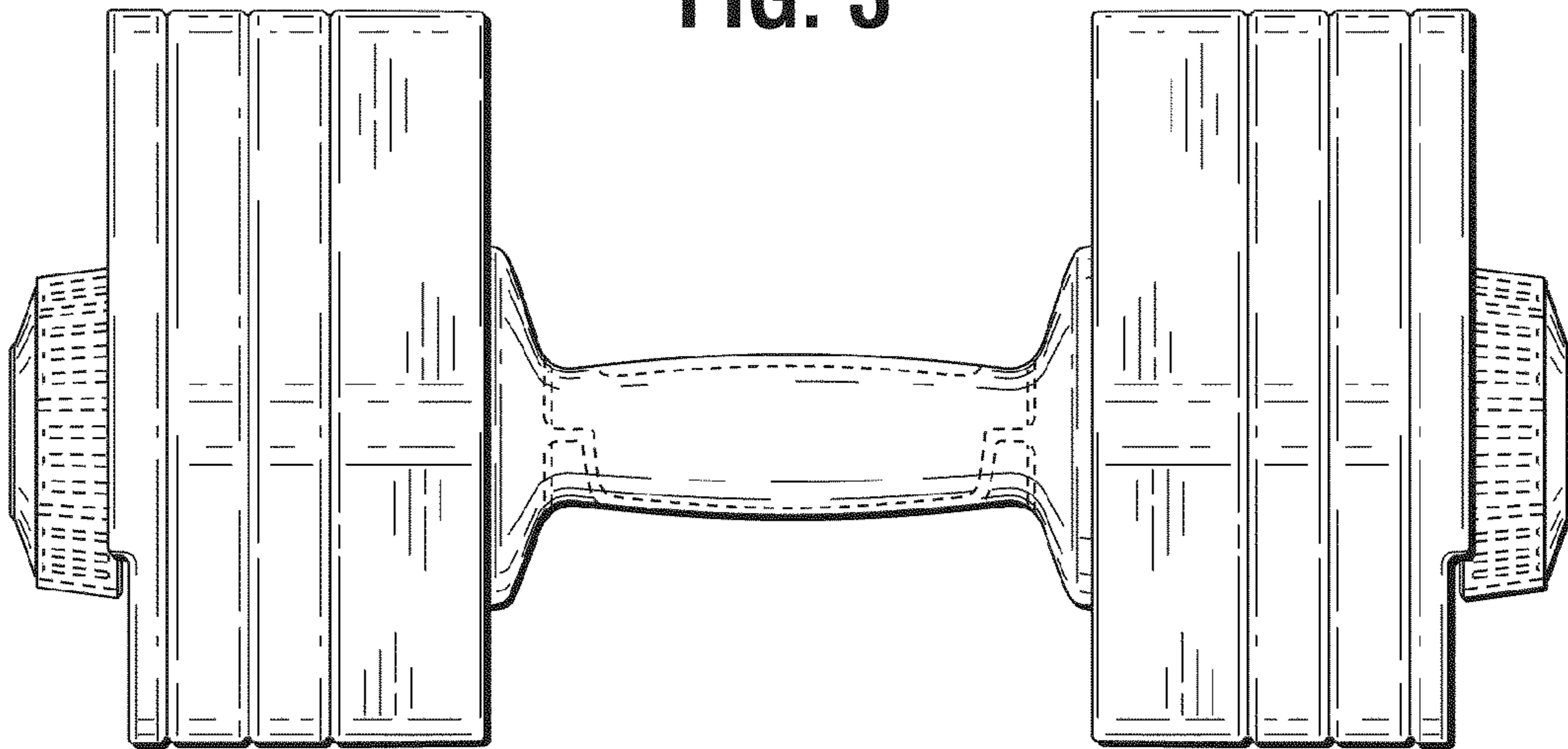


FIG. 4

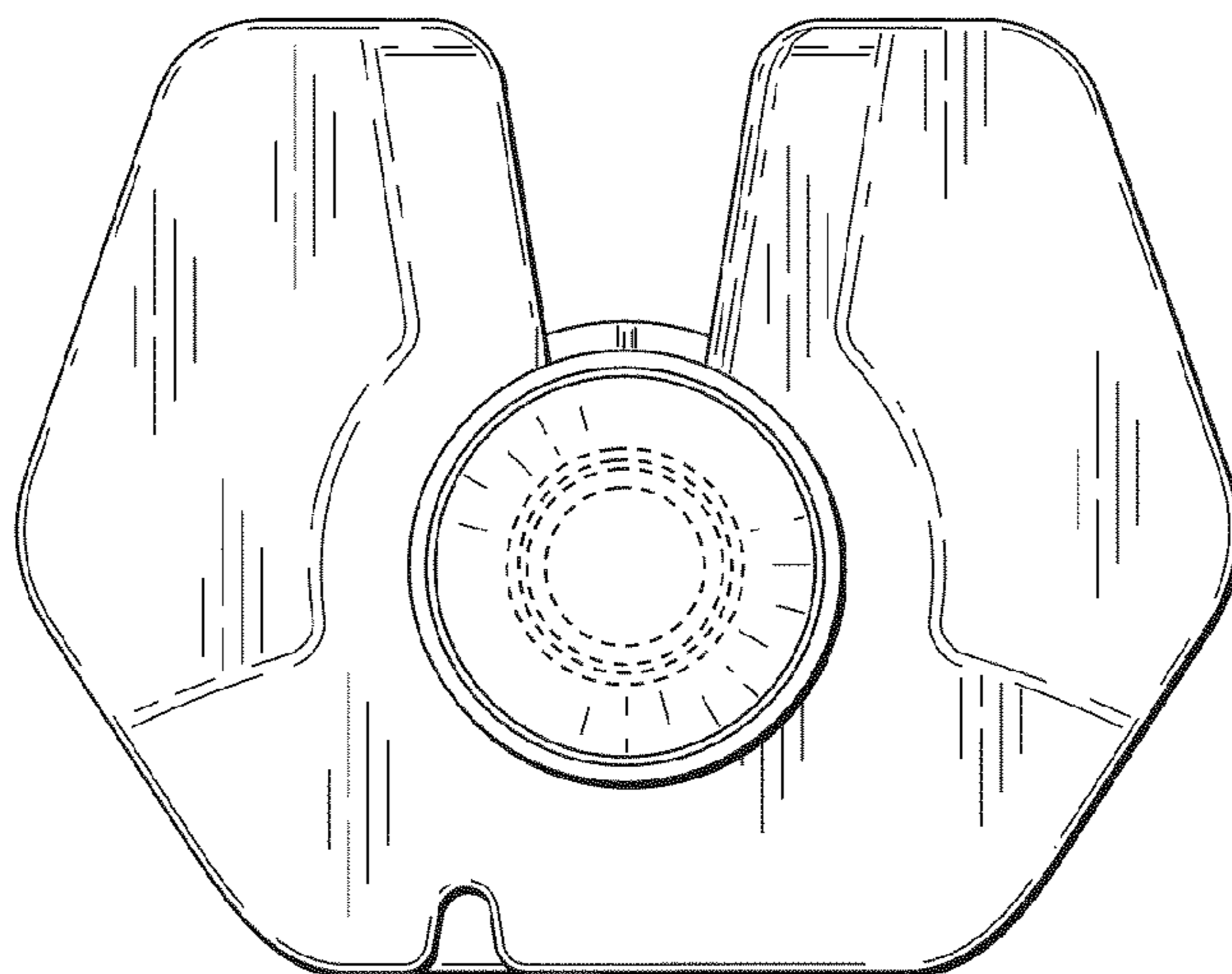


FIG. 5

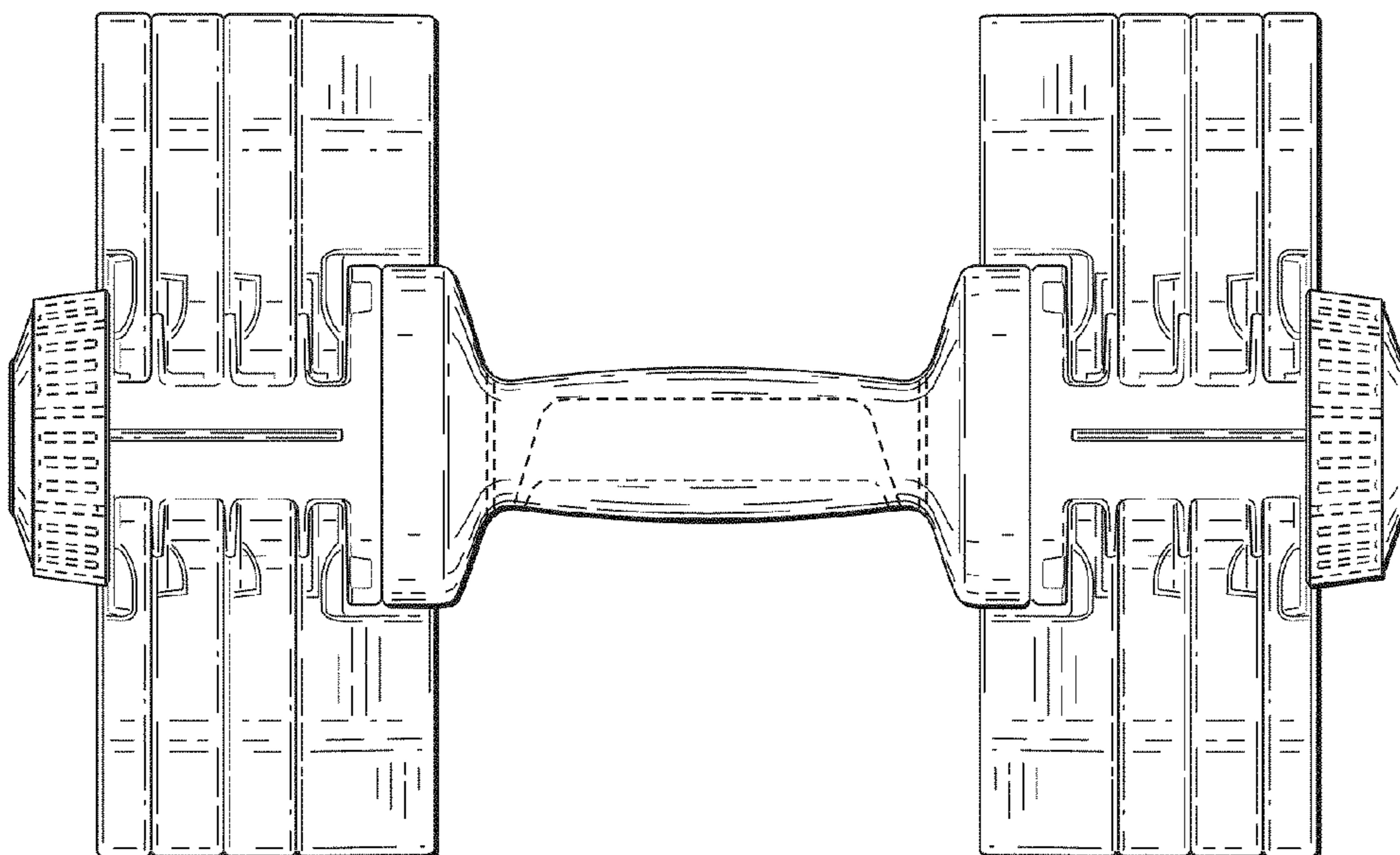


FIG. 6

