



US00D643480S

(12) **United States Design Patent**  
**Lai**

(10) **Patent No.:** **US D643,480 S**

(45) **Date of Patent:** **\*\* Aug. 16, 2011**

(54) **TOY VEHICLE**

(76) Inventor: **Tien Sheng Lai**, Taipei (TW)

(\*\*) Term: **14 Years**

(21) Appl. No.: **29/362,410**

(22) Filed: **May 25, 2010**

(51) **LOC (9) Cl.** ..... **21-01**

(52) **U.S. Cl.** ..... **D21/424**

(58) **Field of Classification Search** ..... D21/419,  
D21/424, 432-434, 538, 548, 551; D12/1,  
D12/16, 87-88, 107; 446/424, 425, 427,  
446/431, 433, 440, 454, 456, 457, 462, 465,  
446/470; 280/29, 203, 210, 263, 87.01, 87.021,  
280/828, 1.13

See application file for complete search history.

(56) **References Cited**

**U.S. PATENT DOCUMENTS**

D292,009 S *	9/1987	Harrod	.....	D21/432
D299,663 S *	1/1989	Harrod	.....	D21/432
D327,512 S *	6/1992	Harrod	.....	D21/432
D423,059 S *	4/2000	Chuan	.....	D21/432
D423,603 S *	4/2000	Tasy	.....	D21/424
D429,774 S *	8/2000	Lerch	.....	D21/432
D436,386 S *	1/2001	Huntsberger	.....	D21/424

D443,316 S *	6/2001	Huntsberger	.....	D21/424
D445,843 S *	7/2001	Tse	.....	D21/432
D456,858 S *	5/2002	Huntsberger	.....	D21/433
D468,777 S *	1/2003	Wu	.....	D21/432
D534,591 S *	1/2007	Chung	.....	D21/432
D534,964 S *	1/2007	Chung	.....	D21/432

\* cited by examiner

*Primary Examiner* — Cynthia M Chin

(74) *Attorney, Agent, or Firm* — Muncy, Geissler, Olds & Lowe, PLLC

(57) **CLAIM**

The ornamental design for a toy vehicle, as shown and described.

**DESCRIPTION**

FIG. 1 is a perspective view of a toy vehicle showing the new design;

FIG. 2 is a front view thereof;

FIG. 3 is a rear view thereof;

FIG. 4 is a left side view thereof;

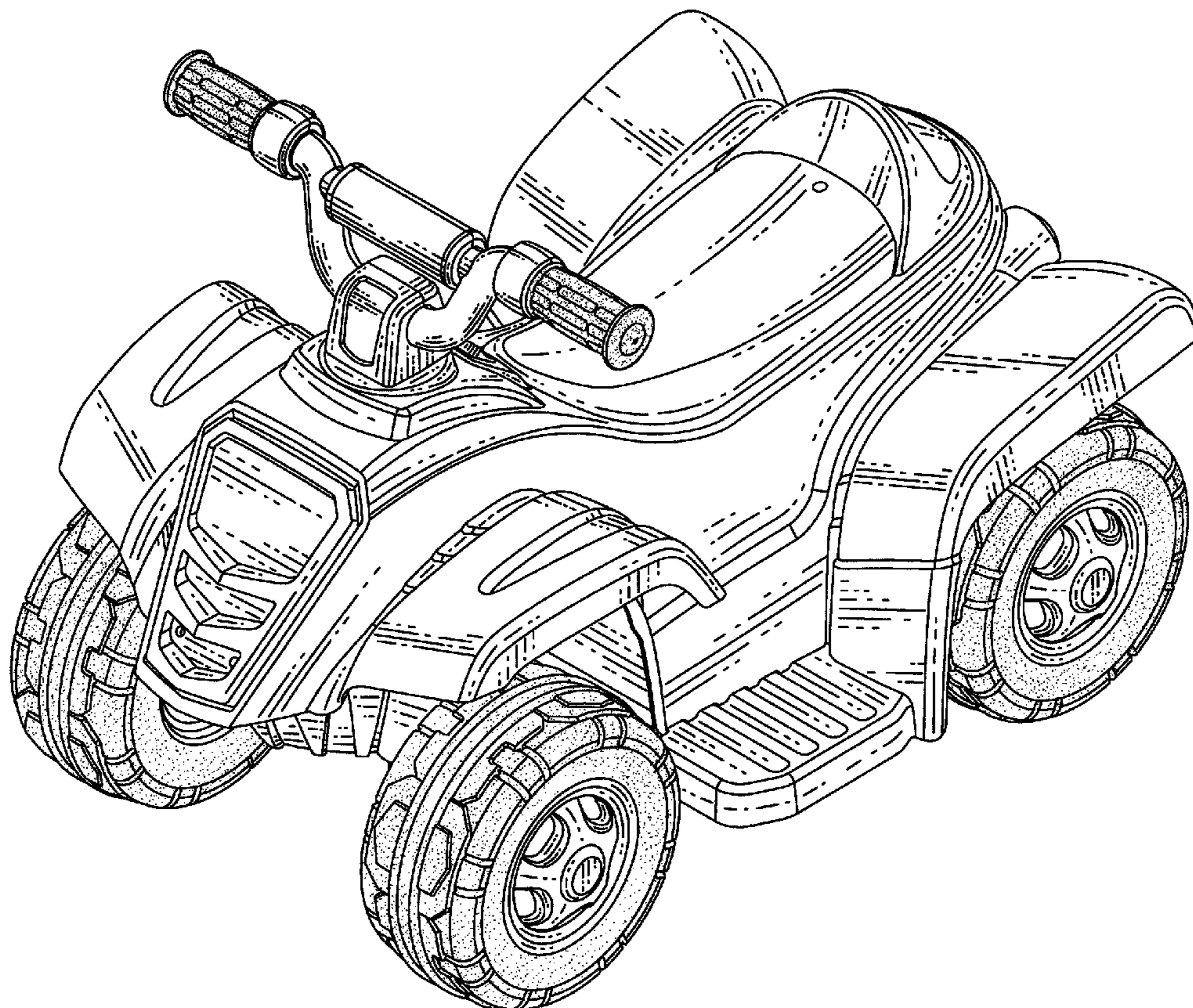
FIG. 5 is a right side view thereof;

FIG. 6 is a top view thereof; and,

FIG. 7 is a bottom view thereof.

The broken lines illustrate portions of the toy vehicle that form no part of the claimed design.

**1 Claim, 7 Drawing Sheets**



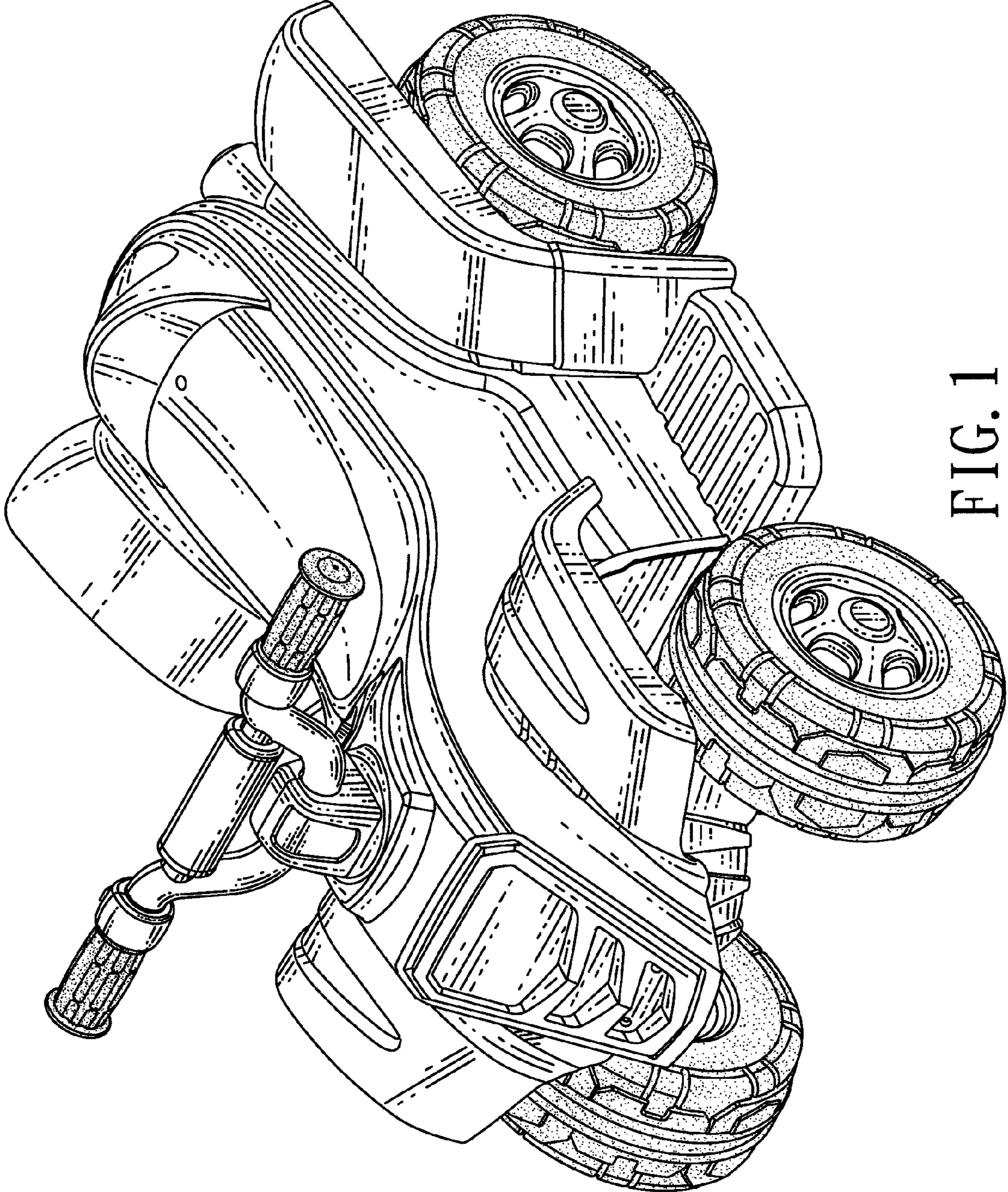


FIG. 1

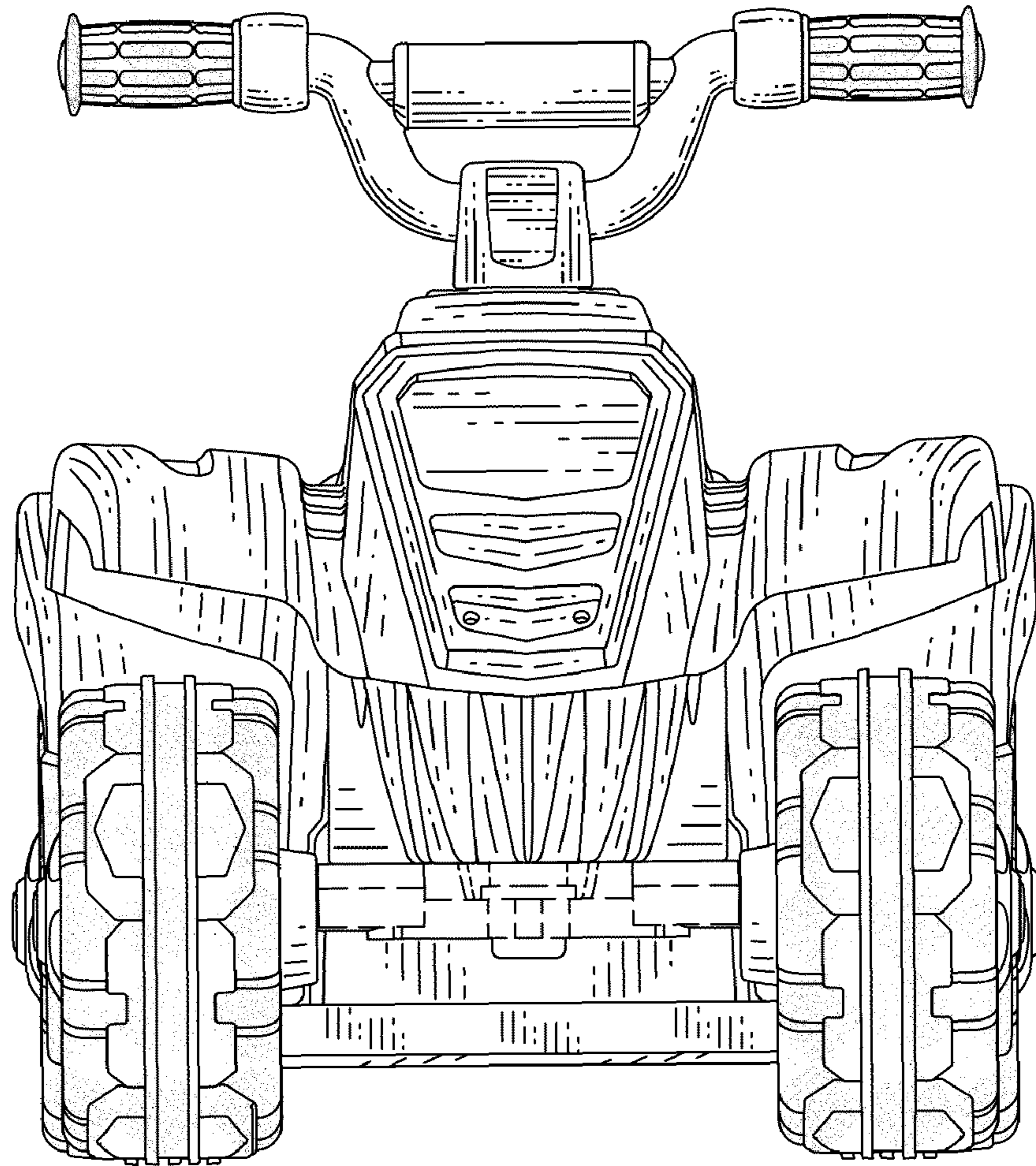


FIG. 2

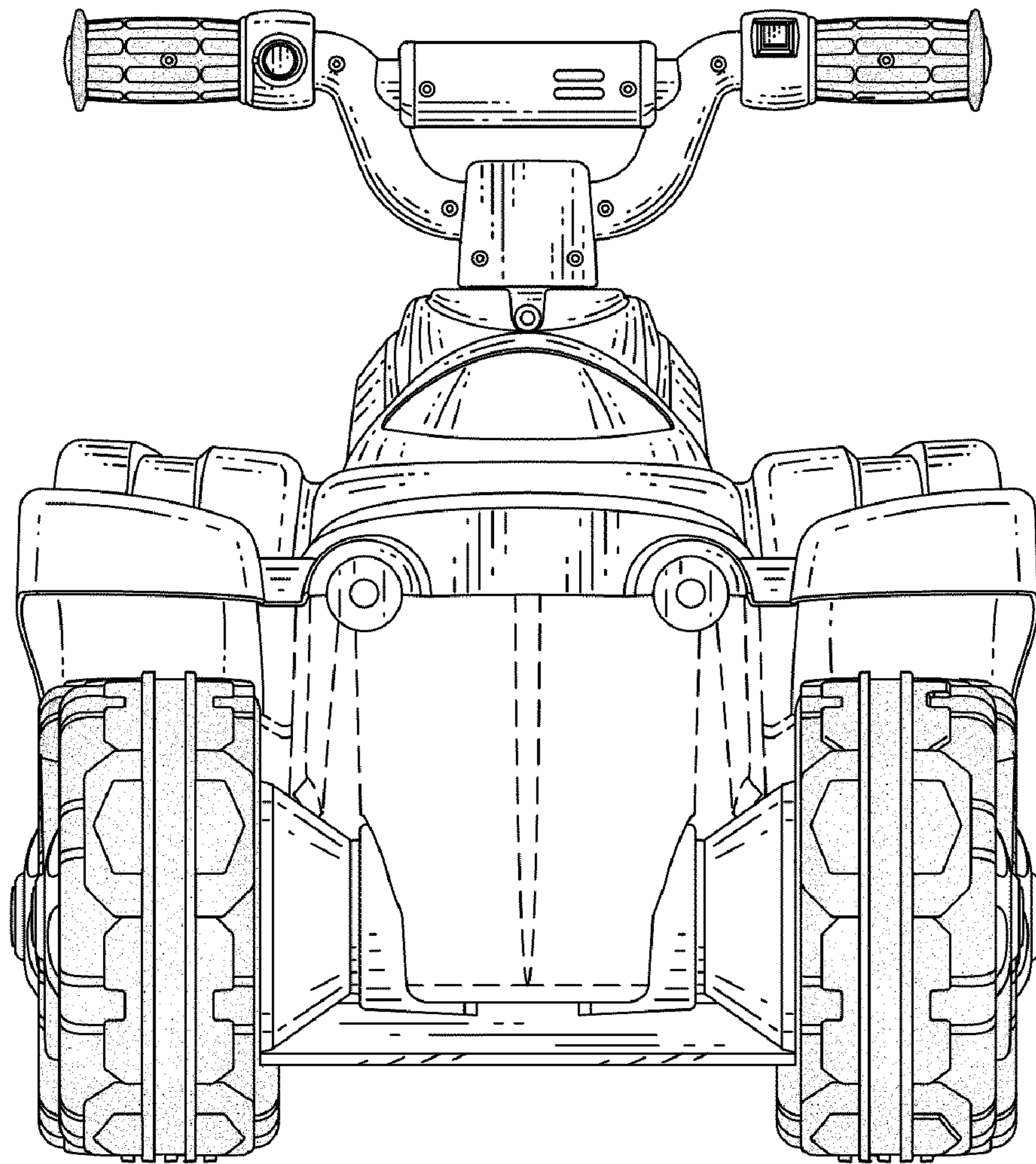


FIG. 3

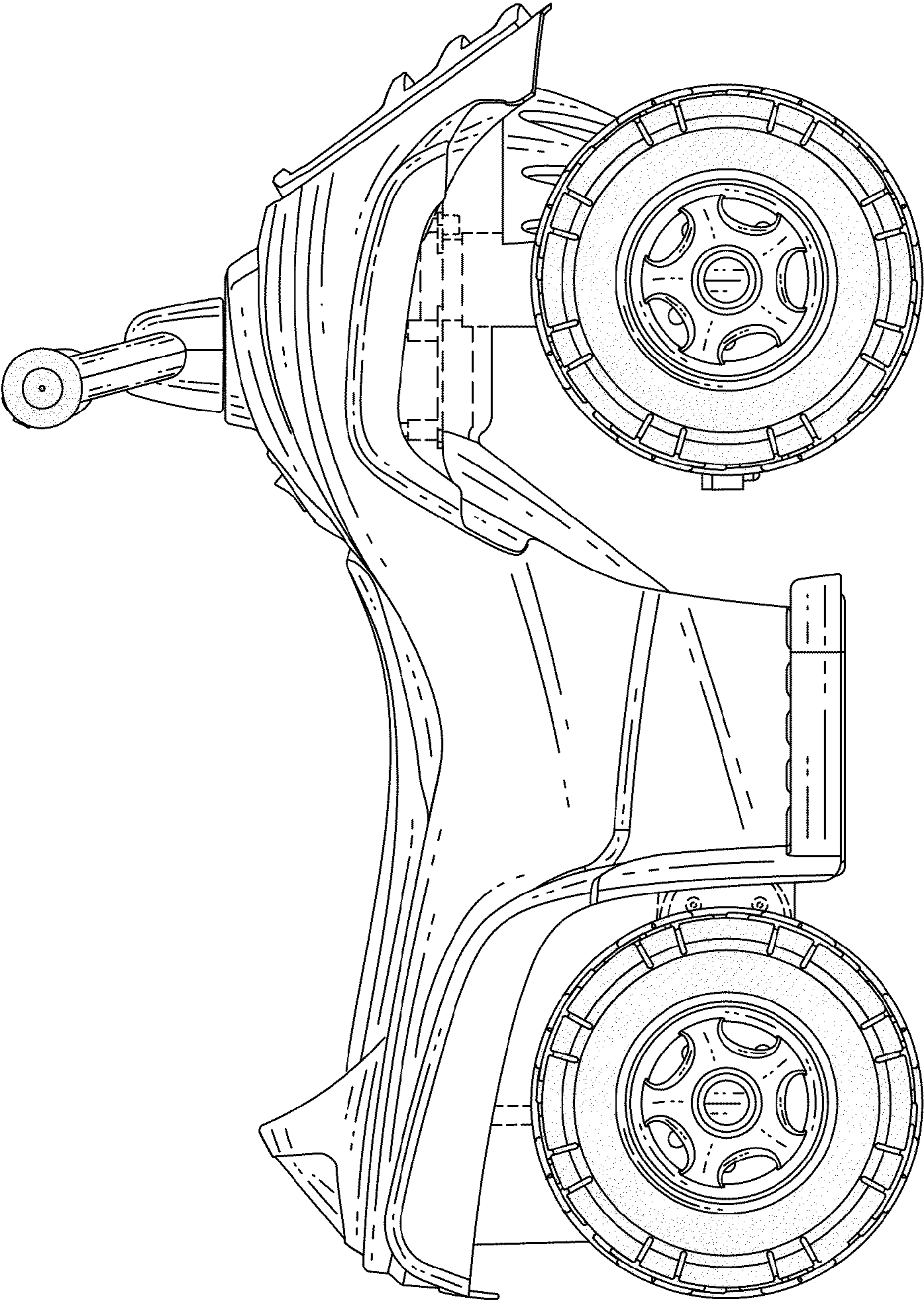


FIG. 4

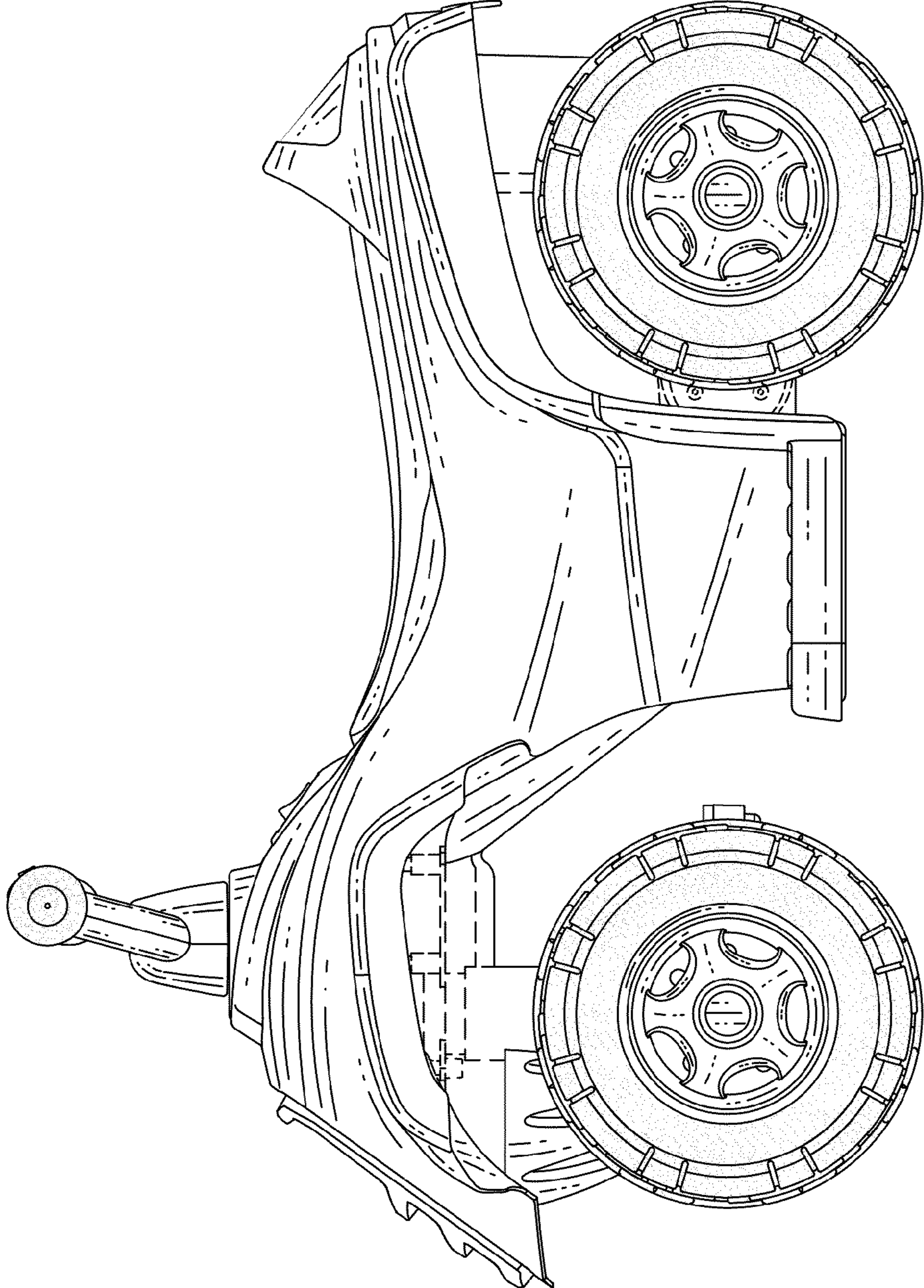


FIG. 5

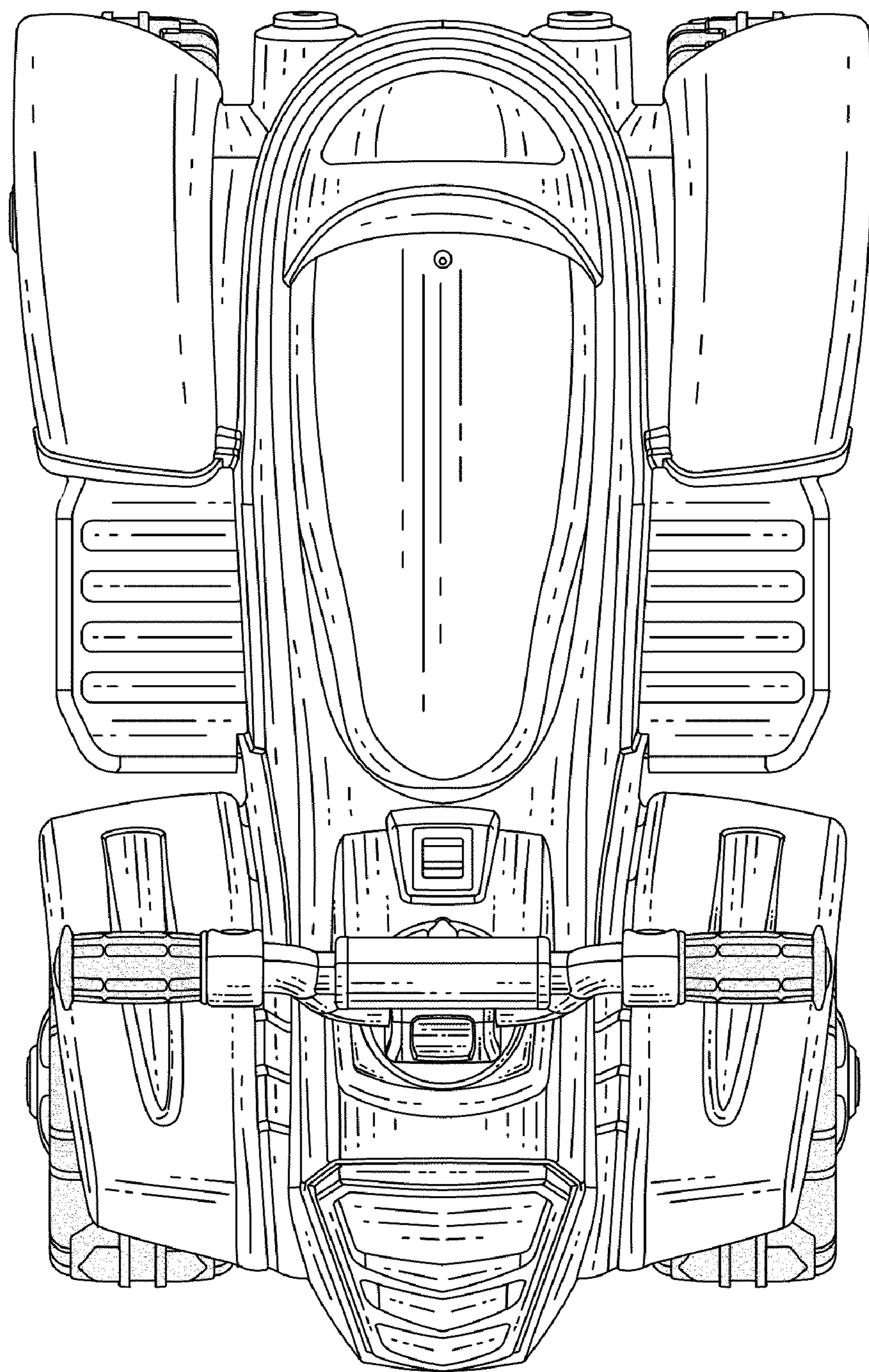


FIG. 6

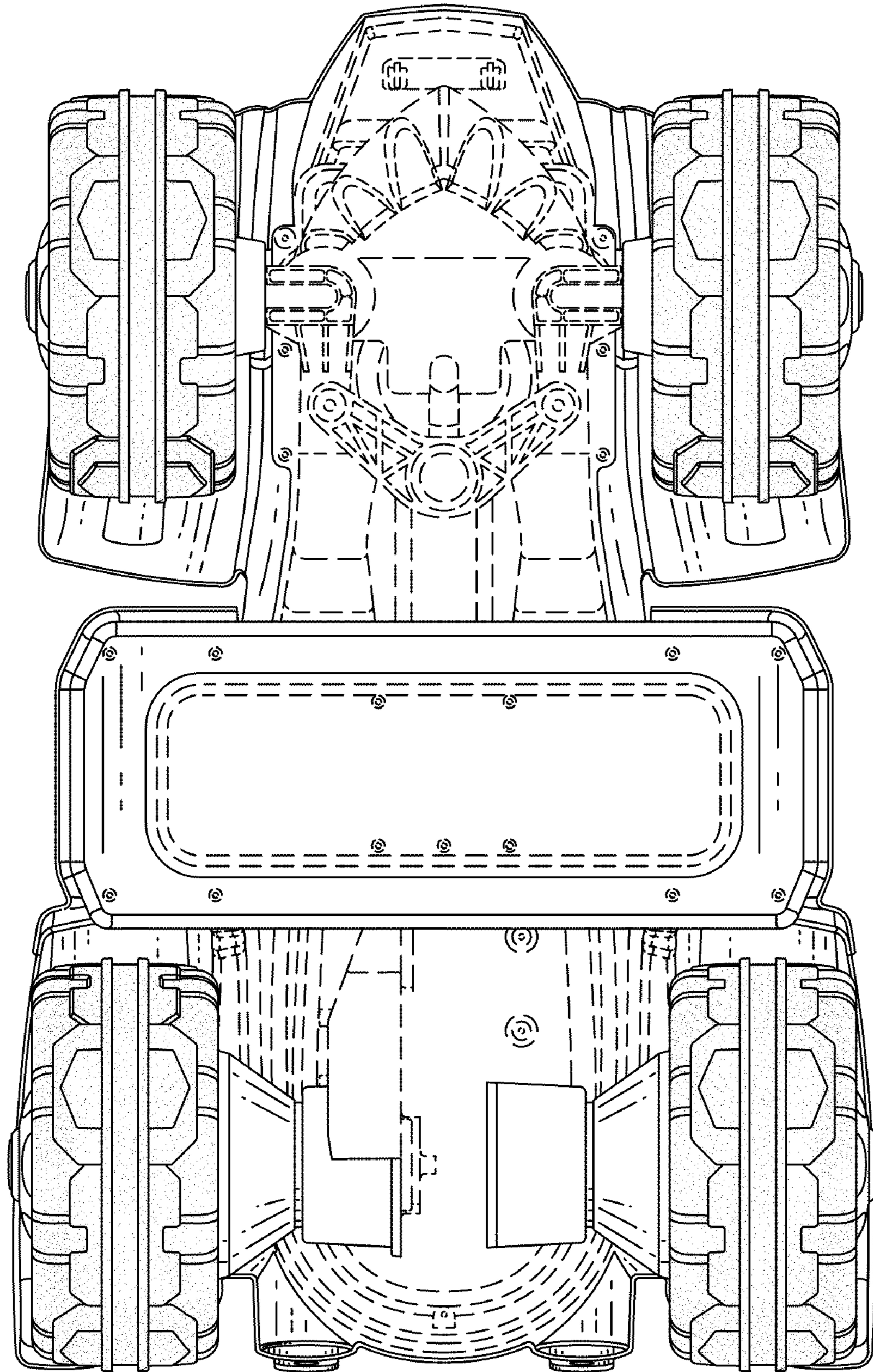


FIG. 7