



US00D643478S

(12) **United States Design Patent**
Lai

(10) **Patent No.:** **US D643,478 S**

(45) **Date of Patent:** **** Aug. 16, 2011**

(54) **TOY CAR**

(76) Inventor: **Tien Sheng Lai**, Taipei (TW)

(**) Term: **14 Years**

(21) Appl. No.: **29/362,402**

(22) Filed: **May 25, 2010**

(51) **LOC (9) Cl.** **21-01**

(52) **U.S. Cl.** **D21/424; D21/551**

(58) **Field of Classification Search** D21/419,
D21/424, 431, 433, 434, 533, 548, 552-560,
D21/828, 833; 280/1.023, 47.11, 87.01,
280/87.021, 263, 288.1, 828, 647; 446/268,
446/468, 424, 425, 427, 433, 454, 456, 457,
446/465, 470, 471; D12/93, 98

See application file for complete search history.

(56) **References Cited**

U.S. PATENT DOCUMENTS

4,513,981	A	*	4/1985	DeGraaff et al.	280/828
D362,279	S	*	9/1995	Fuligni	D21/548
D397,737	S	*	9/1998	Harrod	D21/434
D416,056	S	*	11/1999	Wu	D21/433

D431,845	S	*	10/2000	Huntsberger	D21/434
D461,510	S	*	8/2002	Wu	D21/433
D464,086	S	*	10/2002	Wu	D21/433

* cited by examiner

Primary Examiner — Cynthia M Chin

(74) *Attorney, Agent, or Firm* — Muncy, Geissler, Olds & Lowe, PLLC

(57) **CLAIM**

The ornamental design for a toy car, as shown and described.

DESCRIPTION

FIG. 1 is a perspective view of a toy car showing the new design;

FIG. 2 is a front view thereof;

FIG. 3 is a rear view thereof;

FIG. 4 is a left side view thereof;

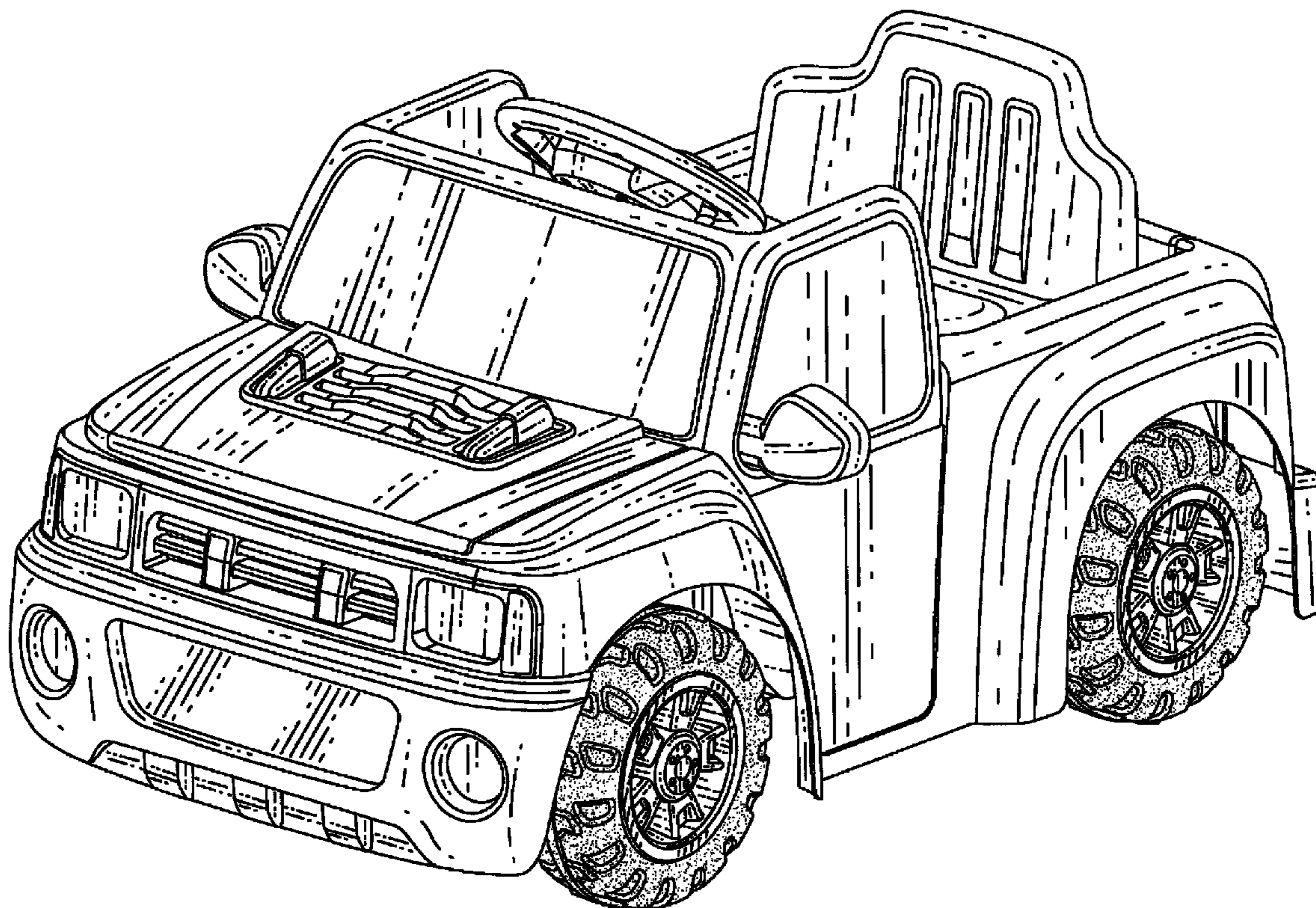
FIG. 5 is a right side view thereof;

FIG. 6 is a top view thereof; and,

FIG. 7 is a bottom view thereof.

The broken lines illustrate portions of the toy car that form no part of the claimed design.

1 Claim, 7 Drawing Sheets



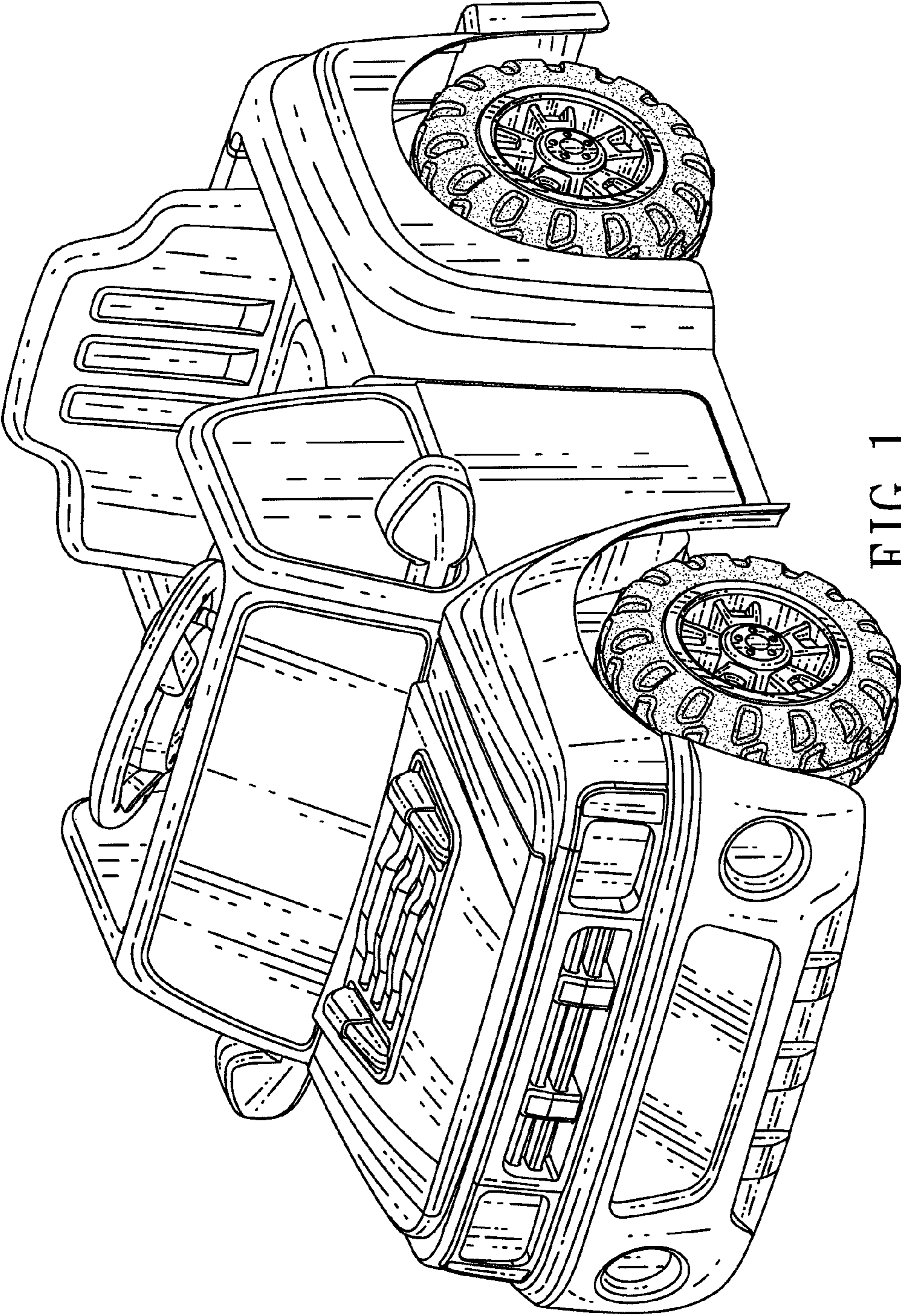


FIG. 1

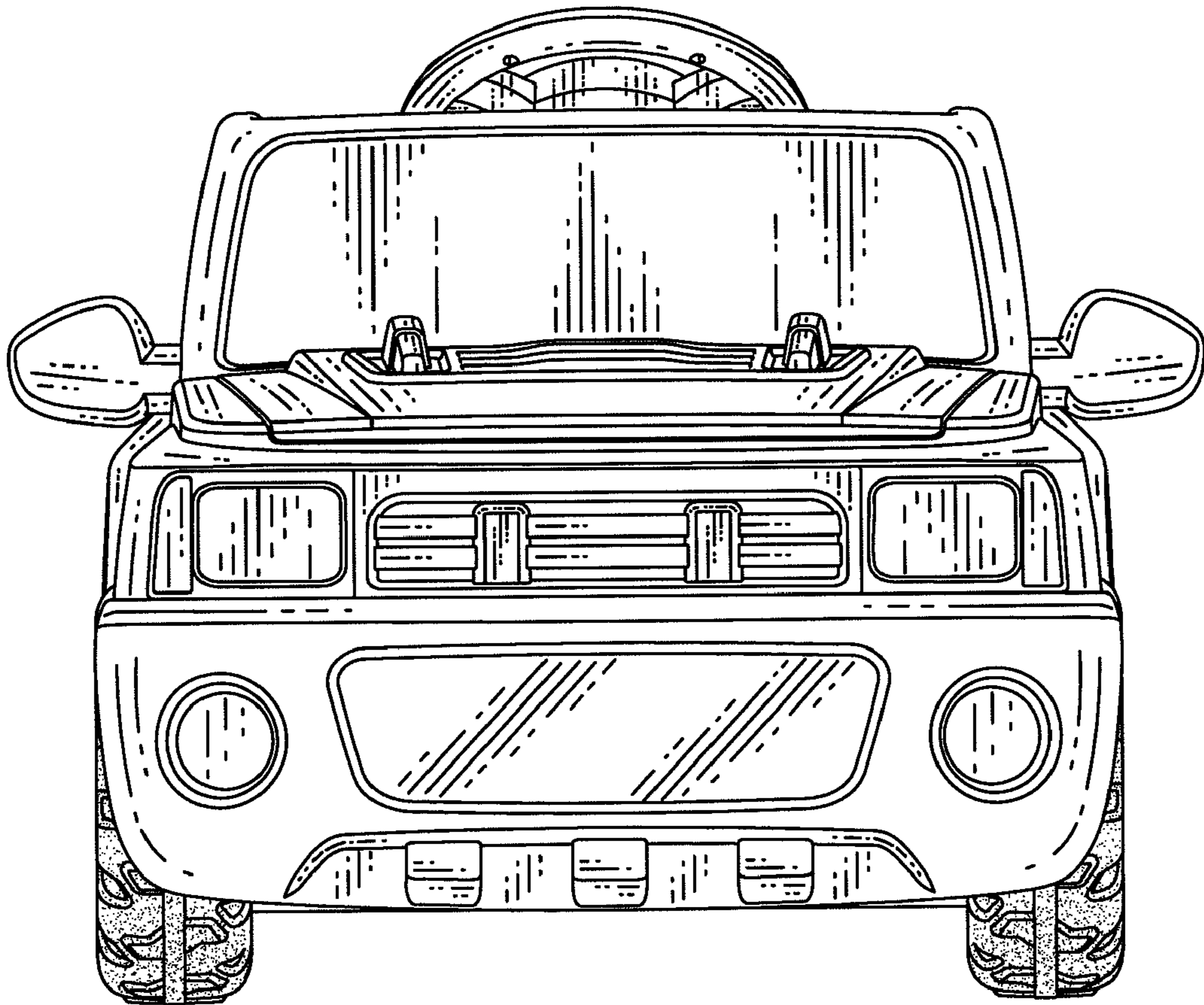


FIG. 2

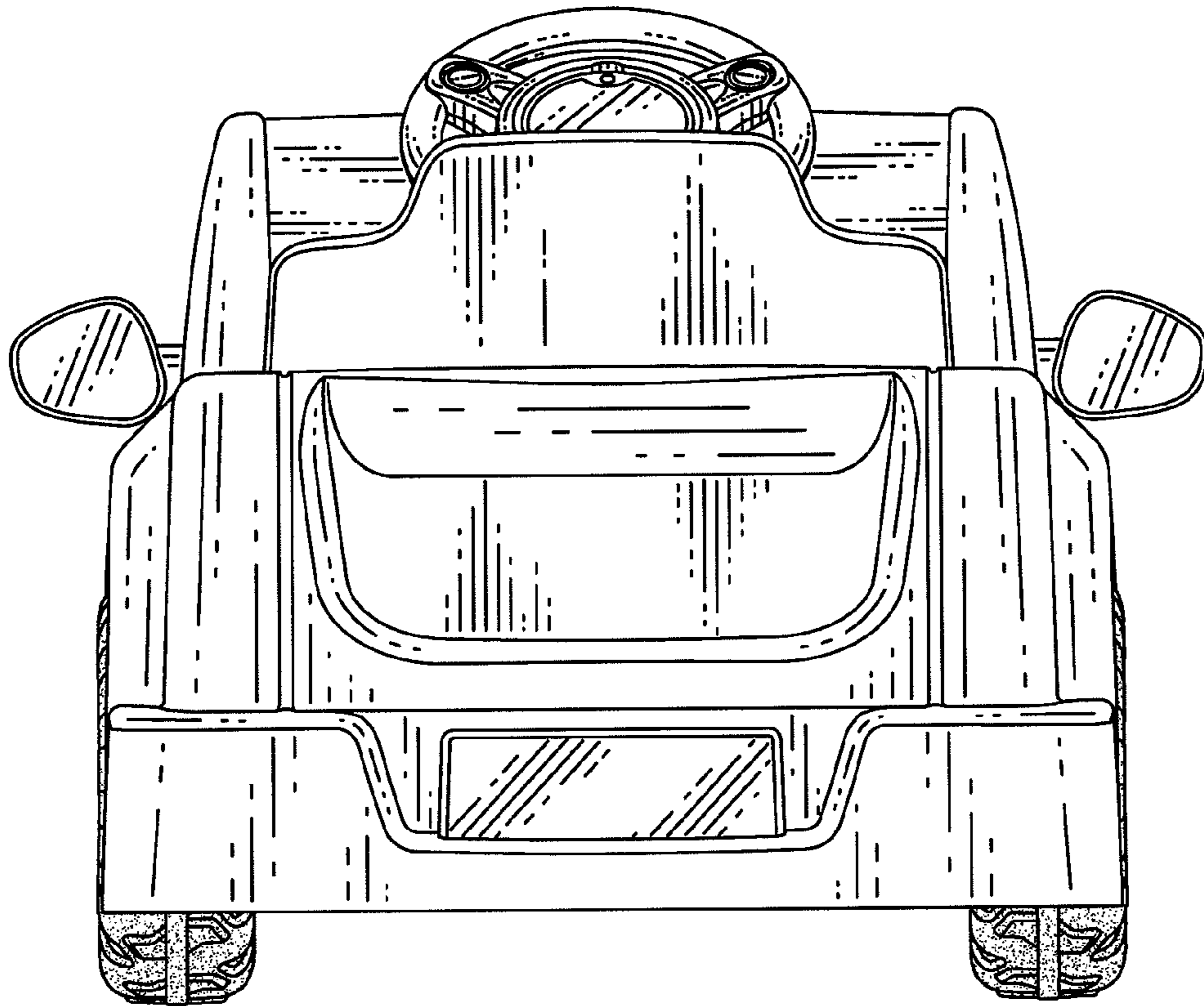


FIG. 3

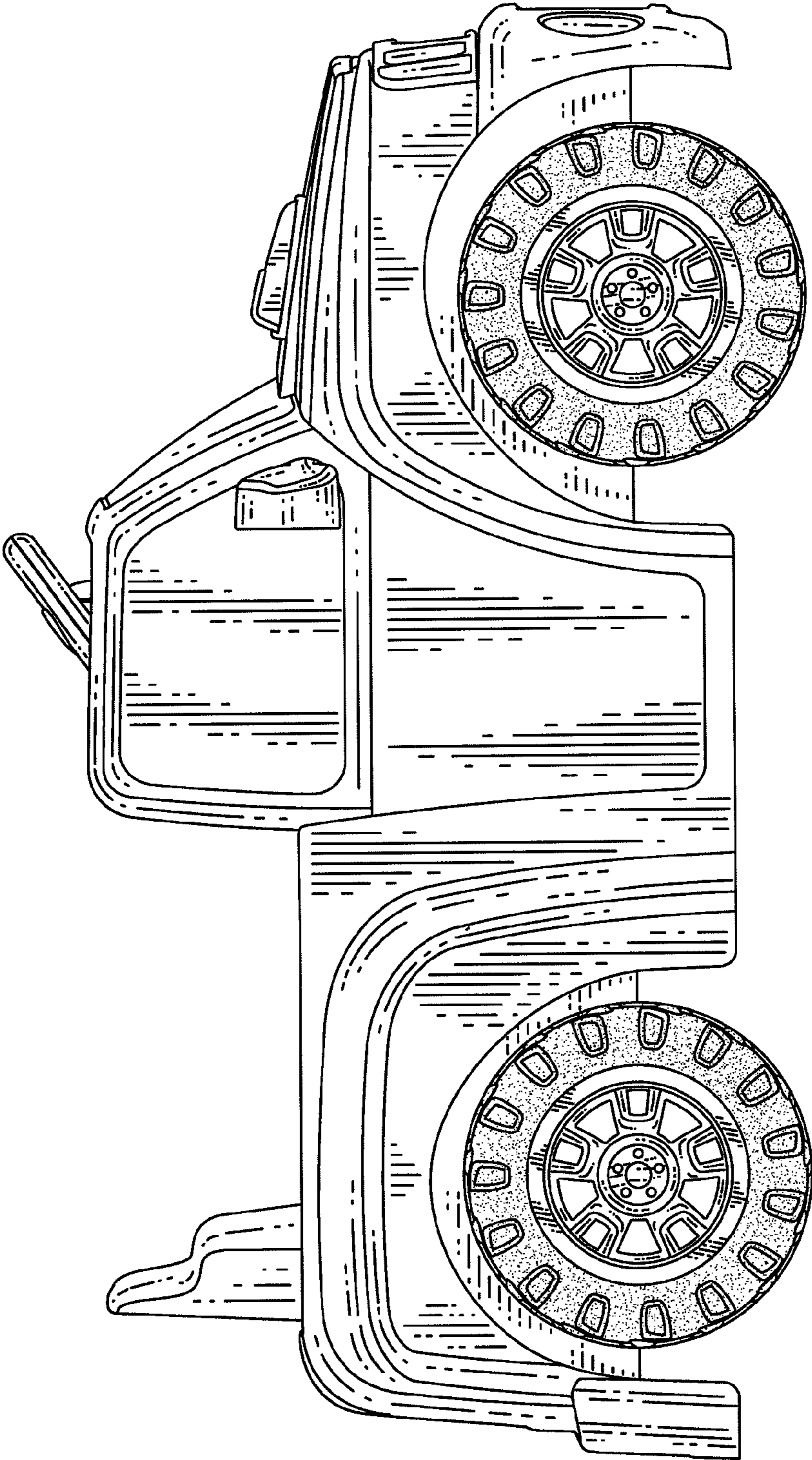


FIG. 4

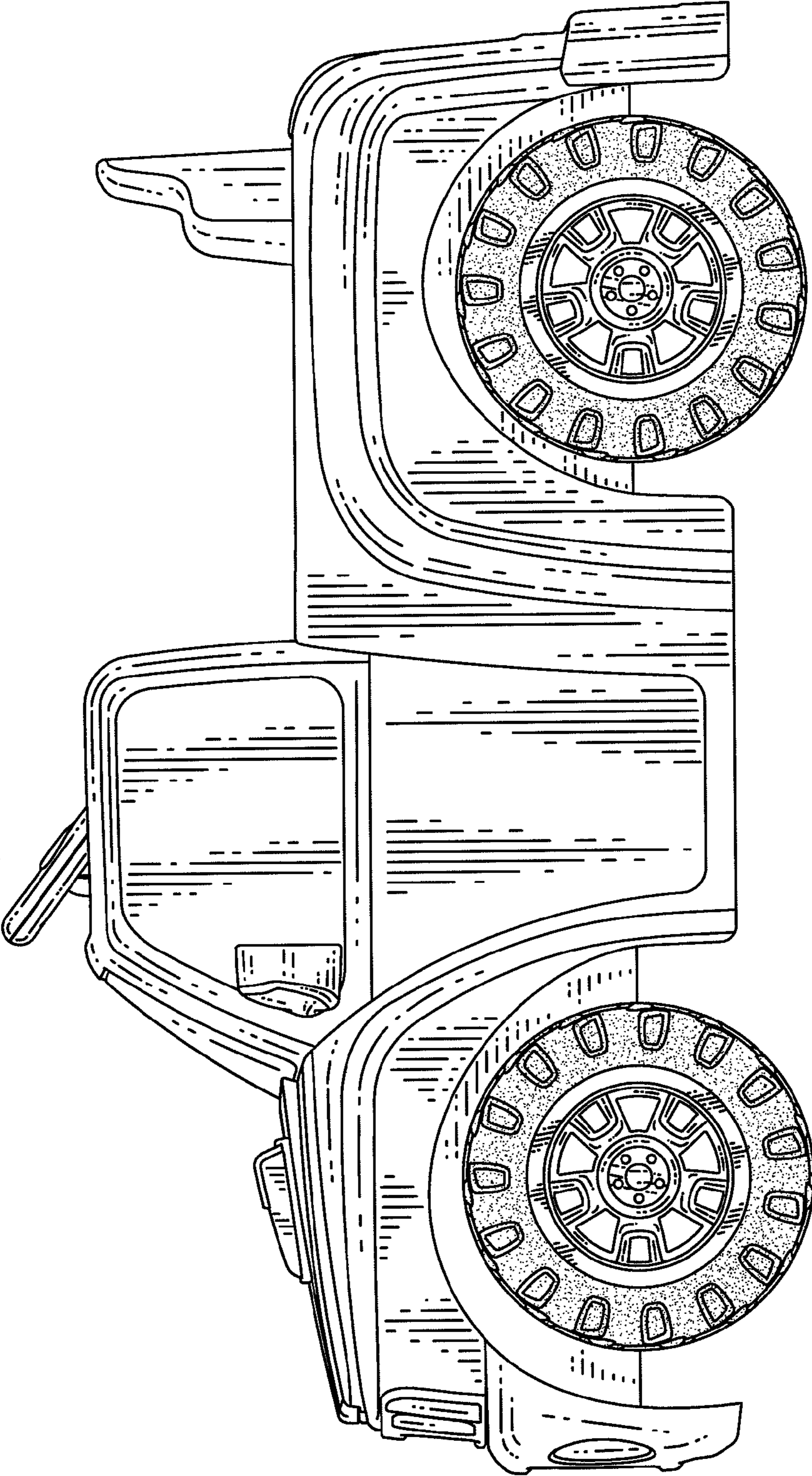


FIG. 5

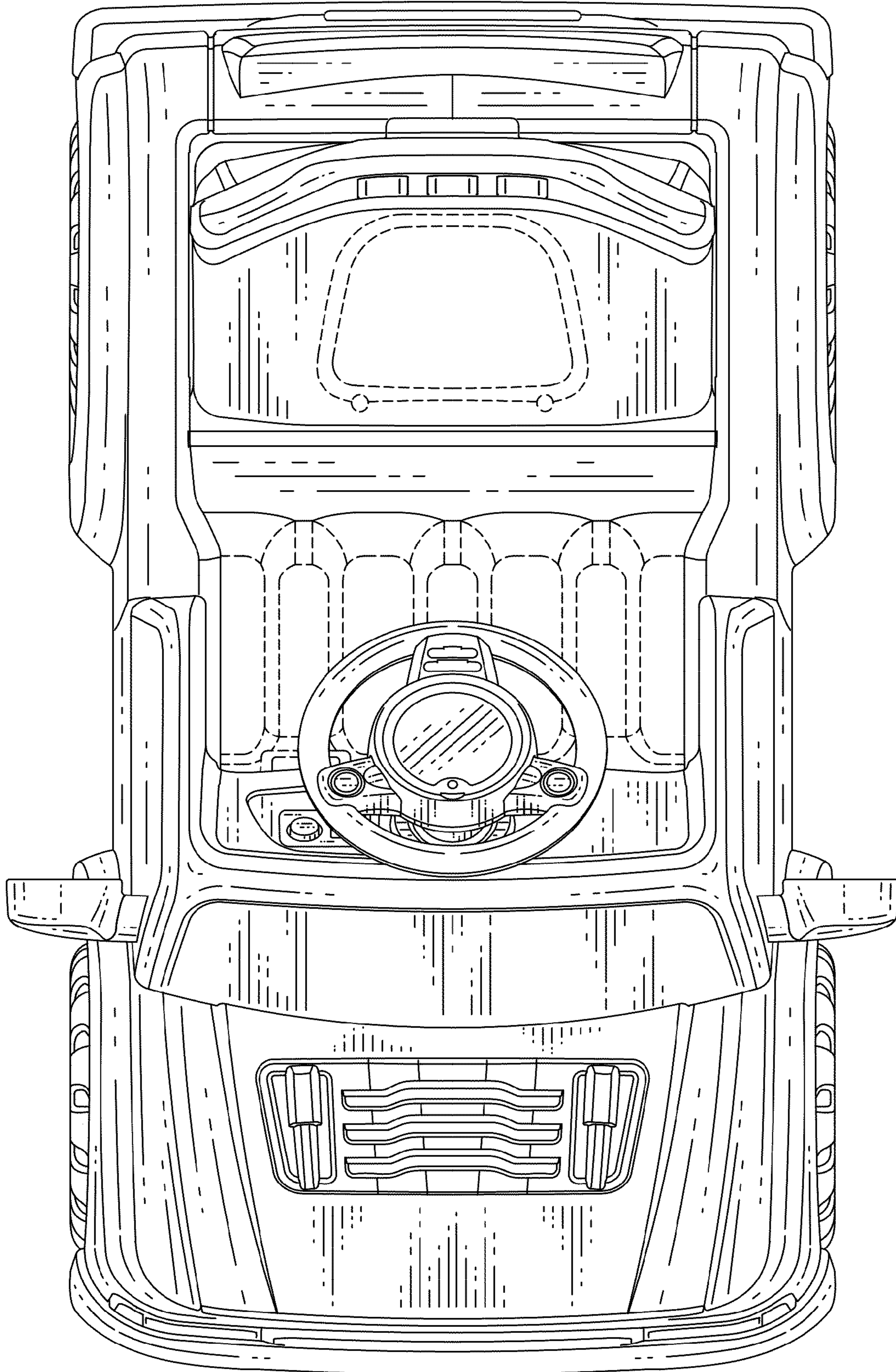


Fig. 6

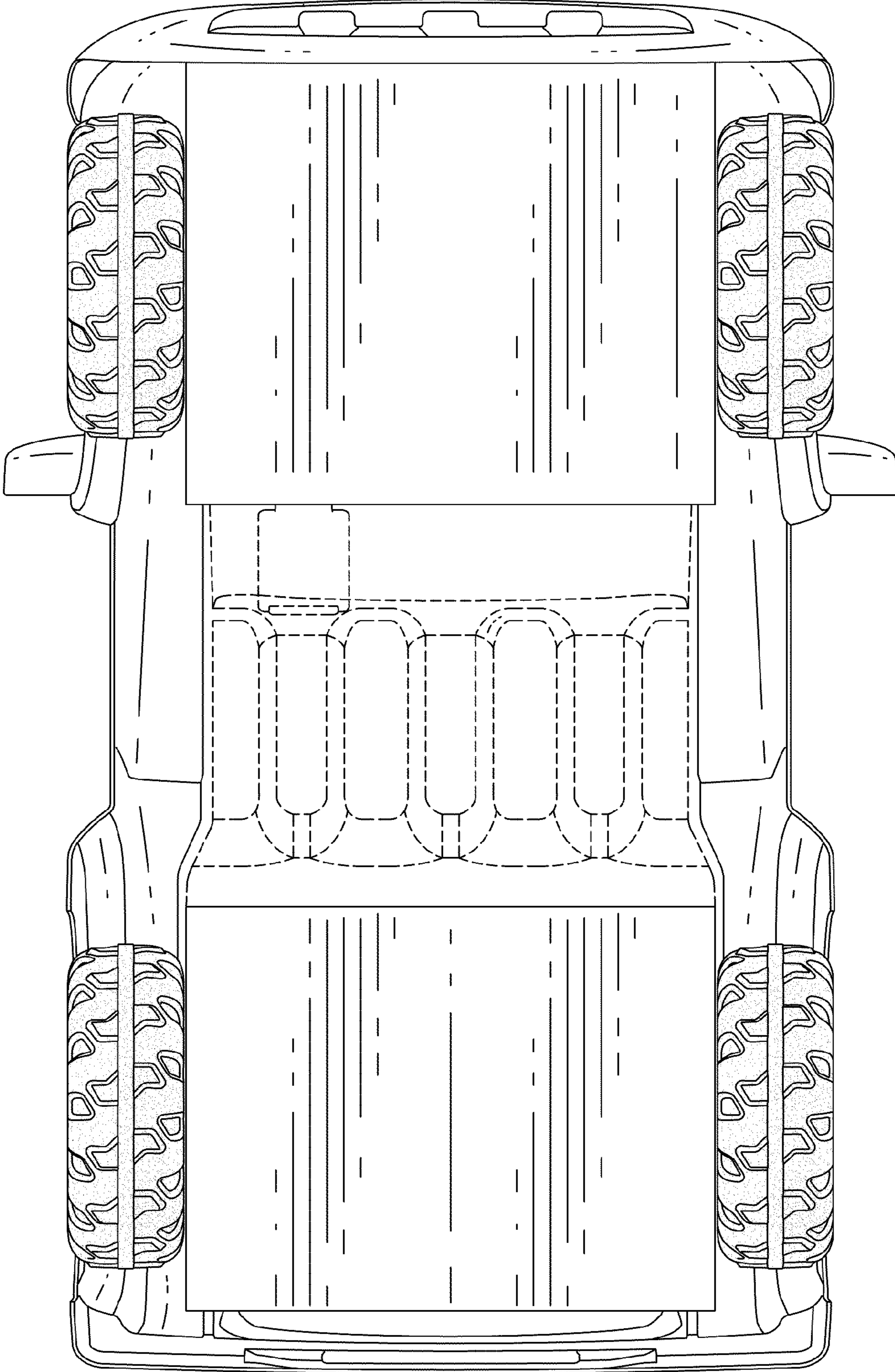


Fig. 7