



US00D643476S

(12) **United States Design Patent**  
**Ehara et al.**

(10) **Patent No.:** **US D643,476 S**  
(45) **Date of Patent:** **\*\* Aug. 16, 2011**

(54) **HOUSING COMPONENT OF PORTABLE ELECTRONIC COMPUTER**

(75) Inventors: **Yui Ehara**, Kyoto (JP); **Junichiro Miyatake**, Kyoto (JP); **Hiroki Goto**, Kyoto (JP); **Kochi Kawai**, Kyoto (JP); **Satoshi Ishibashi**, Kyoto (JP)

(73) Assignee: **Nintendo Co., Ltd.**, Kyoto (JP)

(\*\*) Term: **14 Years**

(21) Appl. No.: **29/380,800**

(22) Filed: **Dec. 10, 2010**

(30) **Foreign Application Priority Data**

Jun. 11, 2010 (JP) ..... 2010-014464

(51) **LOC (9) Cl.** ..... **21-01**

(52) **U.S. Cl.** ..... **D21/333; D21/330**

(58) **Field of Classification Search** ..... D21/324, D21/329, 330, 333; D14/496, 125; 273/148 B; 463/1, 2, 29-36, 45, 47; 345/156, 173, 867, 345/903; 361/679, 681, 672, 500  
See application file for complete search history.

(56) **References Cited**

**U.S. PATENT DOCUMENTS**

D275,971 S	10/1984	Yokoi	
D318,884 S	8/1991	Kojo	
5,168,423 A *	12/1992	Ohgami et al.	361/679.07
D347,450 S	5/1994	Nagata et al.	
D402,708 S *	12/1998	Tai	D21/330
5,873,554 A *	2/1999	Nobuchi	248/278.1
D452,280 S *	12/2001	Ota et al.	D21/329
D453,536 S	2/2002	Ota et al.	
D453,636 S	2/2002	Lewis	

6,498,721 B1 *	12/2002	Kim	361/679.06
6,587,333 B2 *	7/2003	Tseng et al.	361/679.05
D484,918 S	1/2004	Okada et al.	
D484,958 S *	1/2004	Loberger et al.	D23/308
6,771,494 B2 *	8/2004	Shimano	361/679.06
D524,870 S	7/2006	Sugino et al.	
D532,051 S	11/2006	Sugino et al.	
D532,829 S	11/2006	Kawanobe et al.	
D540,396 S	4/2007	Kawanobe et al.	
D555,667 S *	11/2007	Hussaini et al.	D14/496
D556,759 S	12/2007	Kawanobe et al.	
D568,884 S	5/2008	Kawanobe et al.	
D603,363 S *	11/2009	Choi et al.	D14/138 AB

**OTHER PUBLICATIONS**

U.S. Appl. No. 29/380,743, filed Dec. 11, 2010 (pending).  
U.S. Appl. No. 29/380,772, filed Dec. 10, 2010 (pending).

\* cited by examiner

*Primary Examiner* — Prabhakar Deshmukh

(74) *Attorney, Agent, or Firm* — Nixon & Vanderhye, P.C.

(57) **CLAIM**

The ornamental design for a housing component of portable electronic computer, as shown and described.

**DESCRIPTION**

FIG. 1 is front, right and bottom perspective view of a housing component of portable electronic computer showing our new design;

FIG. 2 is rear, left and top perspective view thereof;

FIG. 3 is a front view thereof;

FIG. 4 is a rear view thereof;

FIG. 5 is a top plan view thereof;

FIG. 6 is a bottom plan view thereof;

FIG. 7 is a left side view thereof; and,

FIG. 8 is a right side view thereof.

**1 Claim, 3 Drawing Sheets**

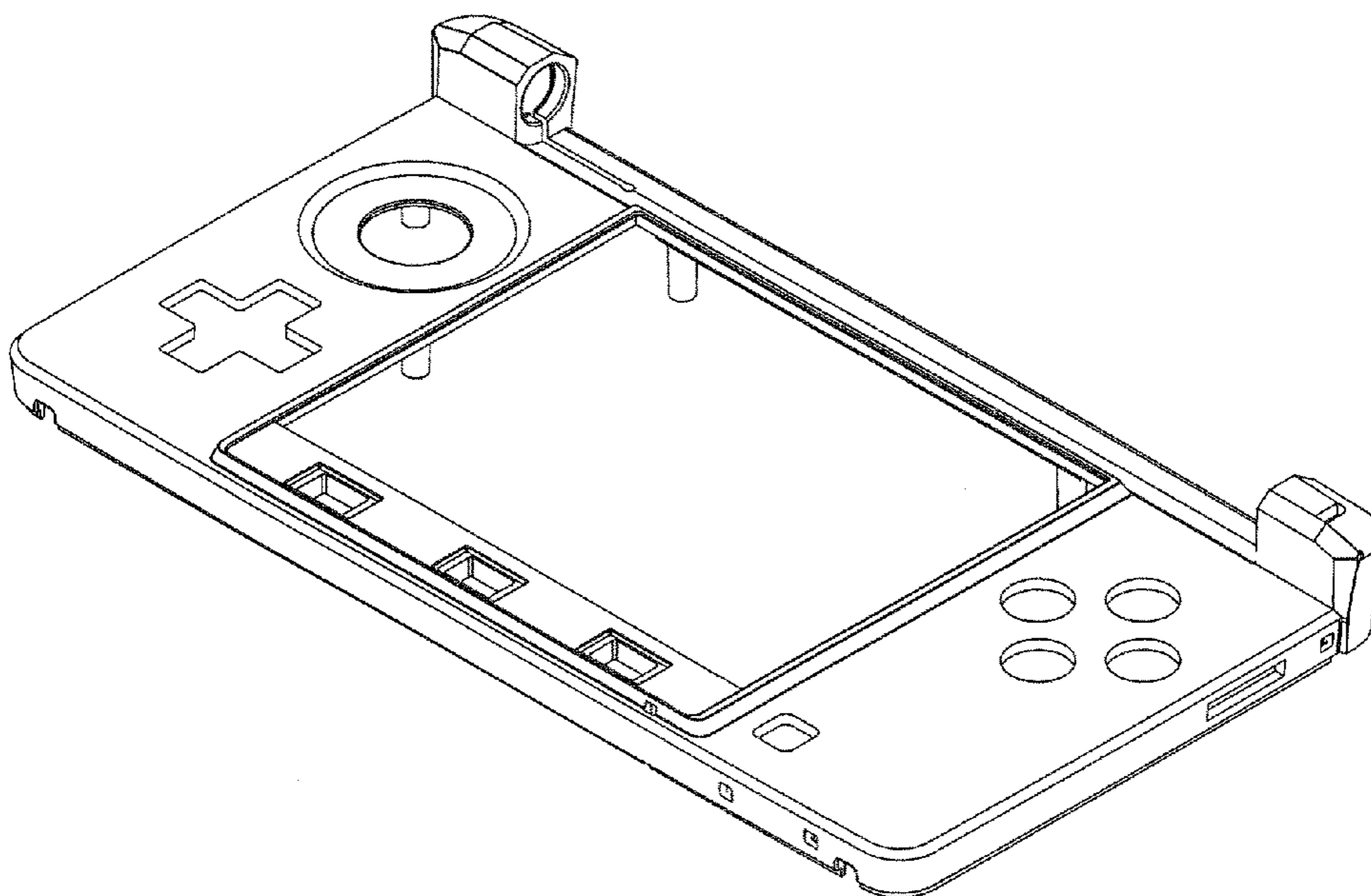


FIG. 1

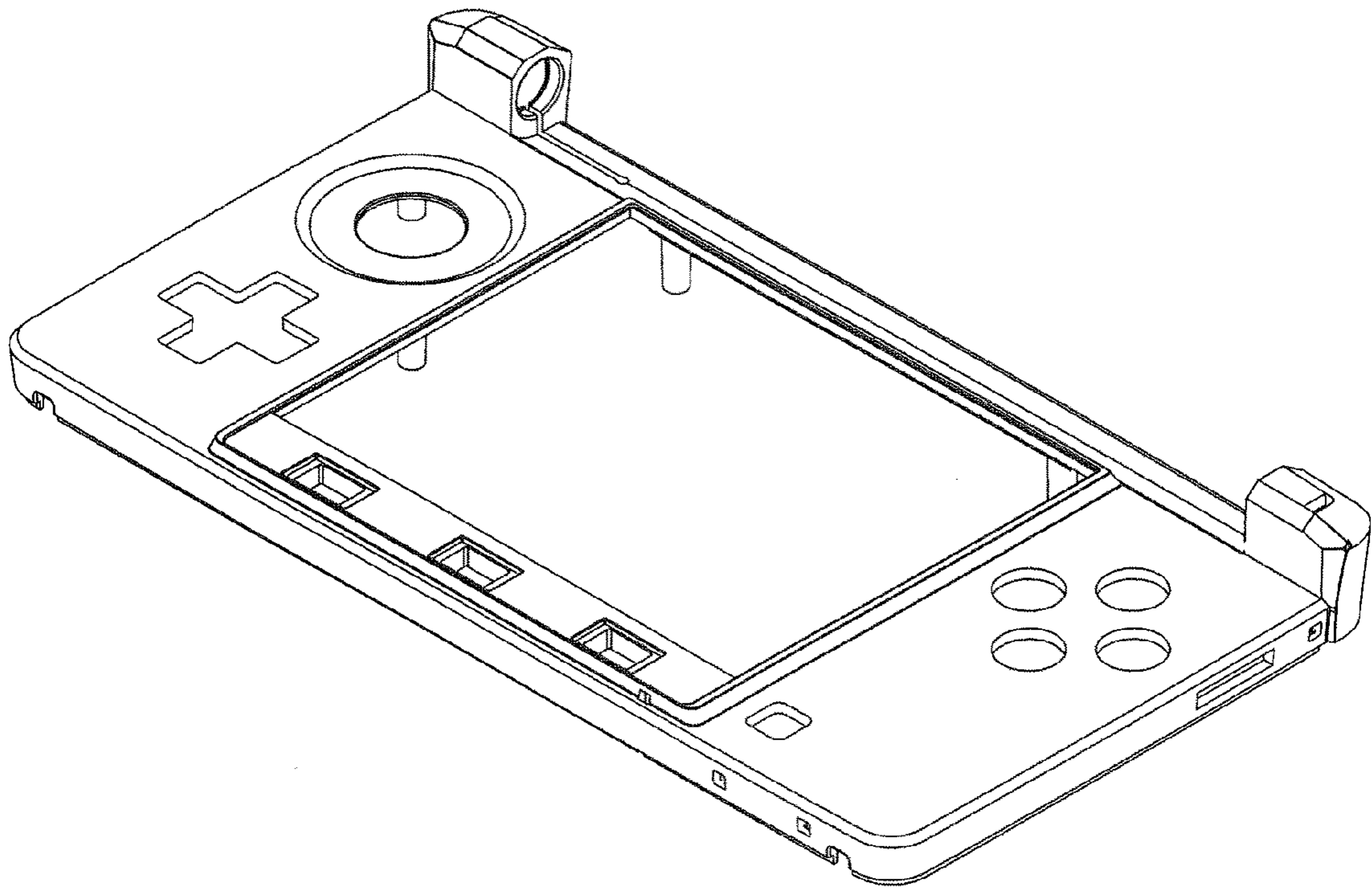


FIG. 2

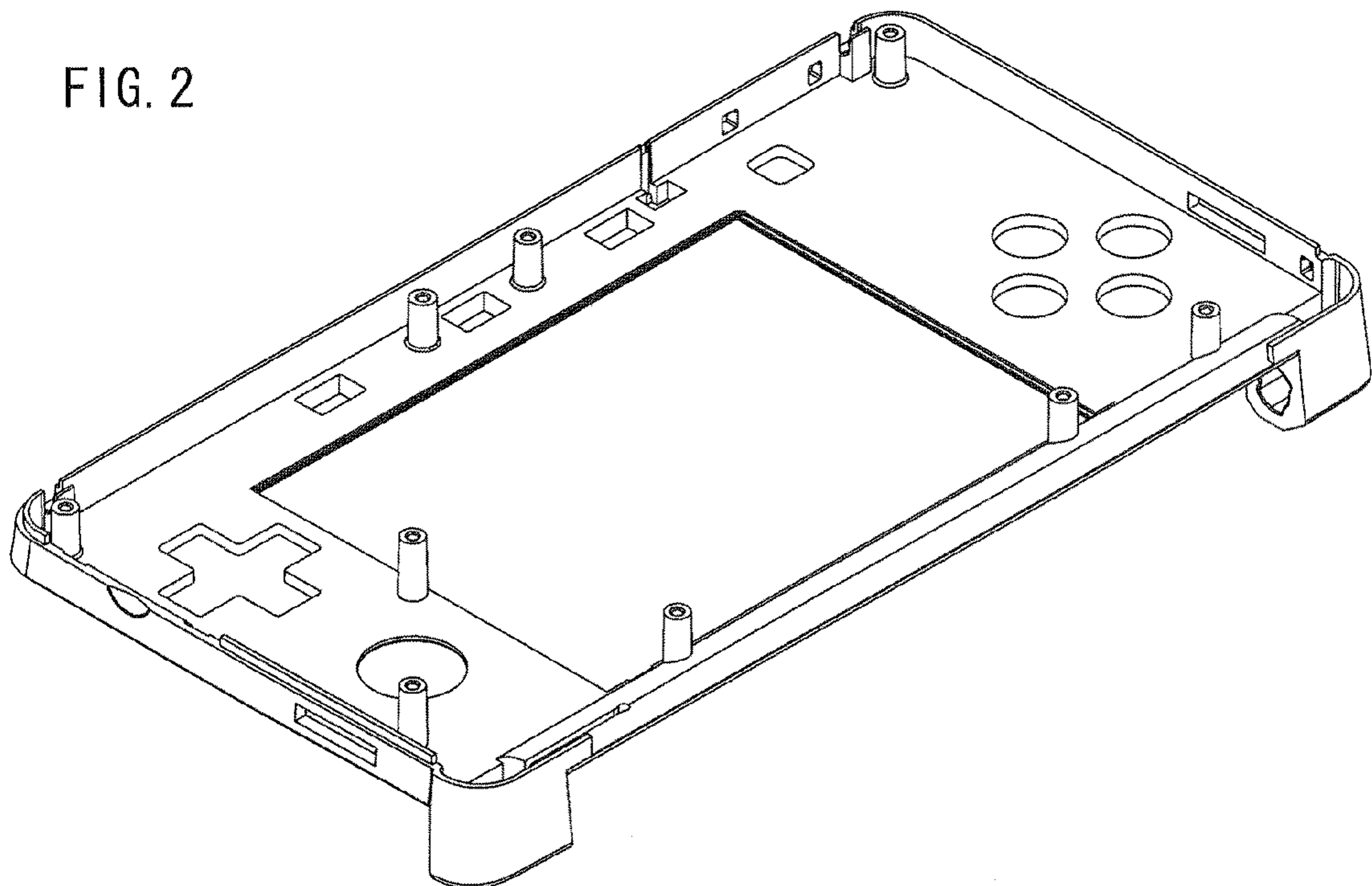


FIG. 3

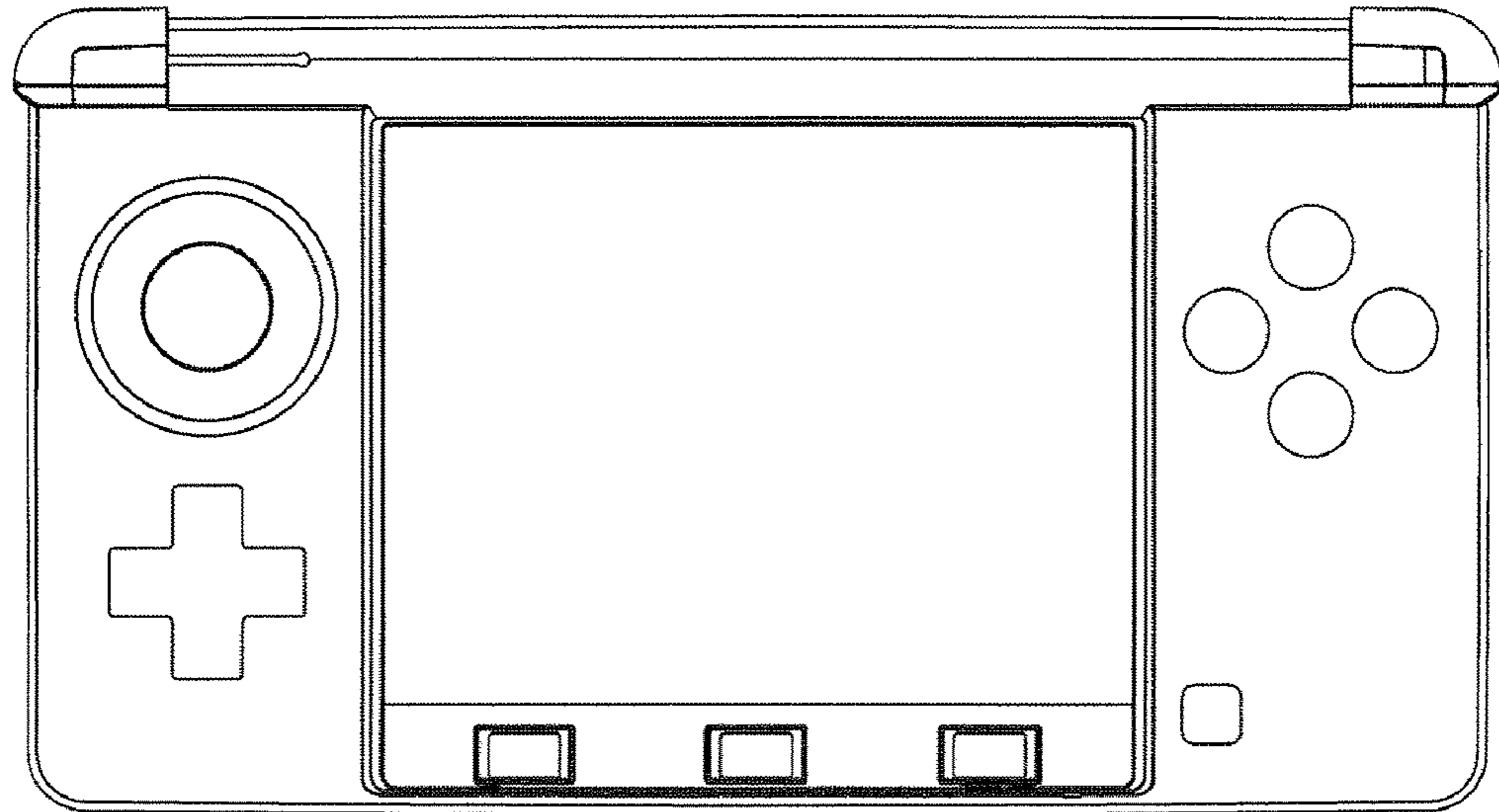


FIG. 4

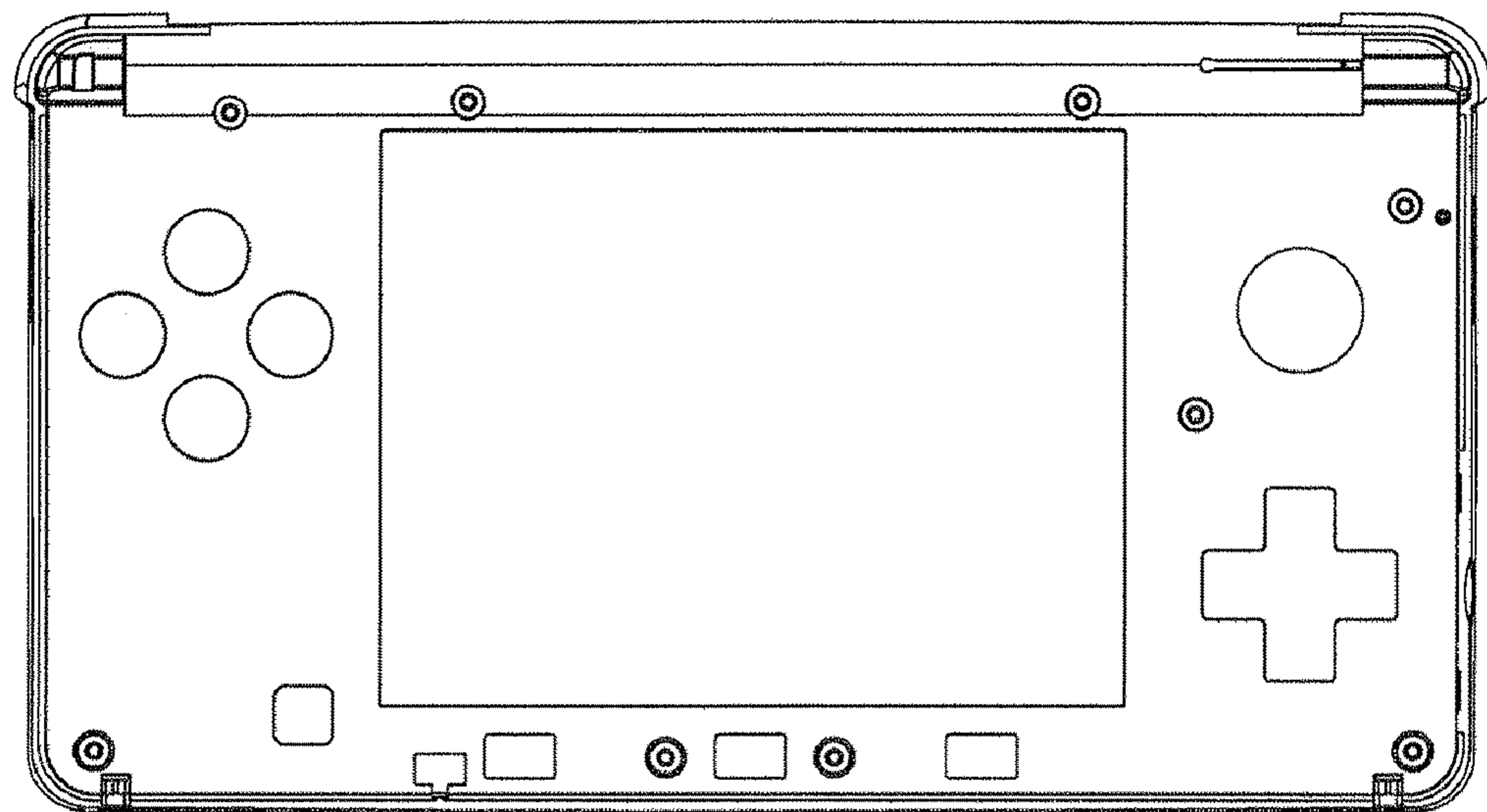


FIG. 5

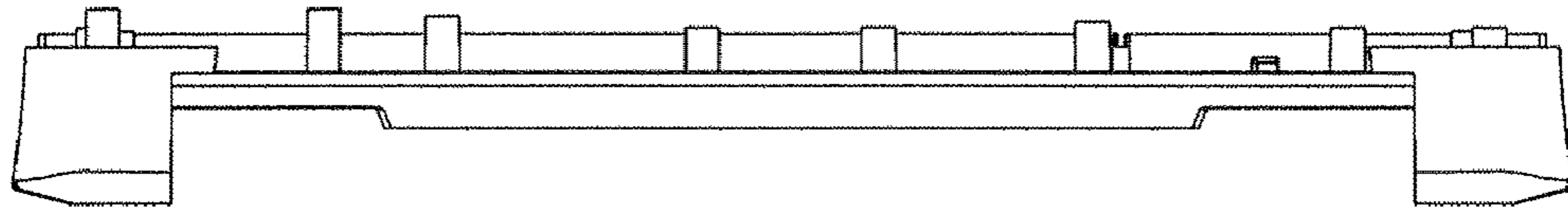


FIG. 6

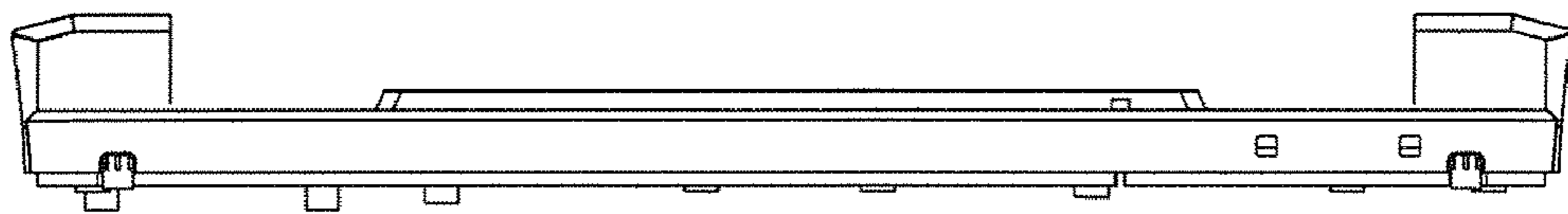


FIG. 7

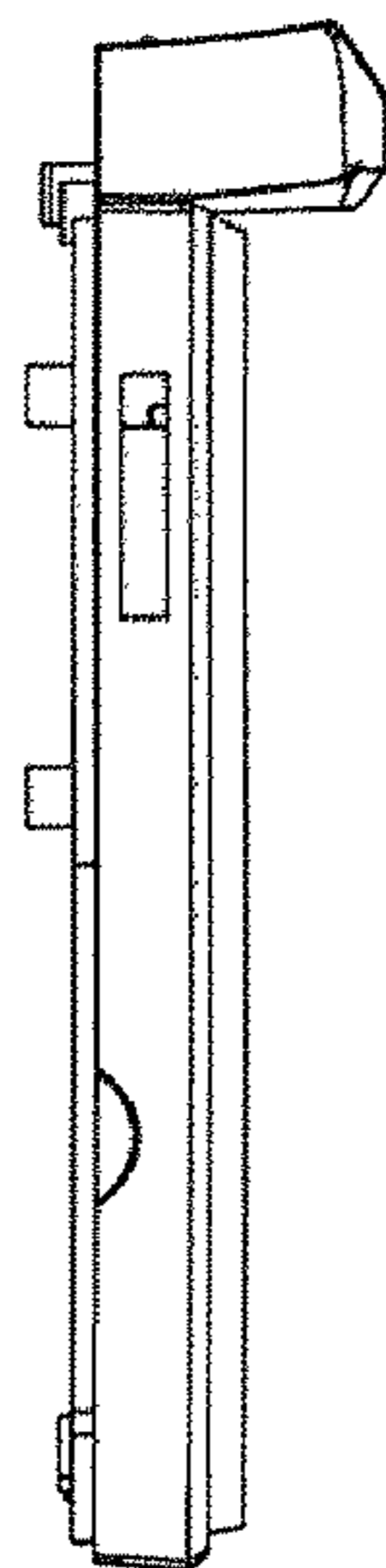


FIG. 8

