

US00D643475S

(12) **United States Design Patent**  
**Stewart**

(10) **Patent No.:** **US D643,475 S**

(45) **Date of Patent:** **\*\* Aug. 16, 2011**

(54) **GAMING ACCESSORY**

(76) Inventor: **Thomas A. Stewart**, Prescott, WI (US)

(\*\*) Term: **14 Years**

(21) Appl. No.: **29/356,572**

(22) Filed: **Feb. 26, 2010**

(51) **LOC (9) Cl.** ..... **21-01**

(52) **U.S. Cl.** ..... **D21/333**

(58) **Field of Classification Search** ..... D21/300,  
D21/324-333, 350, 385; 273/148 B, 237,  
273/239, 283; 463/1, 46-50; 345/156-161  
See application file for complete search history.

(56) **References Cited**

**U.S. PATENT DOCUMENTS**

D393,014 S *	3/1998	Ho et al. ....	D21/324
5,865,677 A *	2/1999	Goldfarb et al. ....	463/9
6,110,073 A *	8/2000	Saur et al. ....	482/8
D435,868 S *	1/2001	Muraki et al. ....	D21/325
D436,632 S *	1/2001	Muraki et al. ....	D21/325
6,227,968 B1 *	5/2001	Suzuki et al. ....	463/7
D455,791 S *	4/2002	Nakahara et al. ....	D21/325
D460,492 S *	7/2002	Muraki et al. ....	D21/325
7,060,000 B2 *	6/2006	Carlson ....	482/1
D549,710 S *	8/2007	Hynecek et al. ....	D14/455
D557,347 S *	12/2007	Nishimoto ....	D21/333
D573,659 S *	7/2008	Wang ....	D21/333
D574,788 S *	8/2008	Yamamoto et al. ....	D13/164

**OTHER PUBLICATIONS**

Product information for CTA Digital Skateboard Deck Mount for Wii Balance Board—screen print of product shown on www.newegg.com. This product is believed to have been publically available prior to Applicant's filing date of Feb. 26, 2010. 1 page.

Product information for Classic 16" Balance Wobble Board—screen print of product shown on www.amazon.com. This product is believed to have been publically available prior to Applicant's filing date of Feb. 26, 2010. 1 page.

Product information for the skateboard accessory for the Tony Hawk Ride videogame—screen print of product shown on www.theride.com. This product is believed to have been publically available prior to Applicant's filing date of Feb. 26, 2010. 1 page.

Product information for the 3pc Accessory Kit for Wii Fit by ThrustMaster—screen print of product shown on www.amazon.com. This product is believed to have been publically available prior to Applicant's filing date of Feb. 26, 2010. 1 page.

Product information for the Indo Board Original—Natural—screen print of product shown on www.amazon.com. This product is believed to have been publically available prior to Applicant's filing date of Feb. 26, 2010. 1 page.

Announcement on www.wiichat.com, dated Oct. 2, 2009 regarding a Wii Balance Board riser accessory by Thrustmaster. 3 pages.

\* cited by examiner

*Primary Examiner* — Prabhakar Deshmukh

(74) *Attorney, Agent, or Firm* — Skaar Ulbrich Macari, P.A.

(57) **CLAIM**

I claim the ornamental design for a gaming accessory, as shown and described.

**DESCRIPTION**

FIG. 1 is a perspective view of a gaming accessory showing my new design.

FIG. 2 is a front view thereof.

FIG. 3 is a back view thereof.

FIG. 4 is a top view thereof.

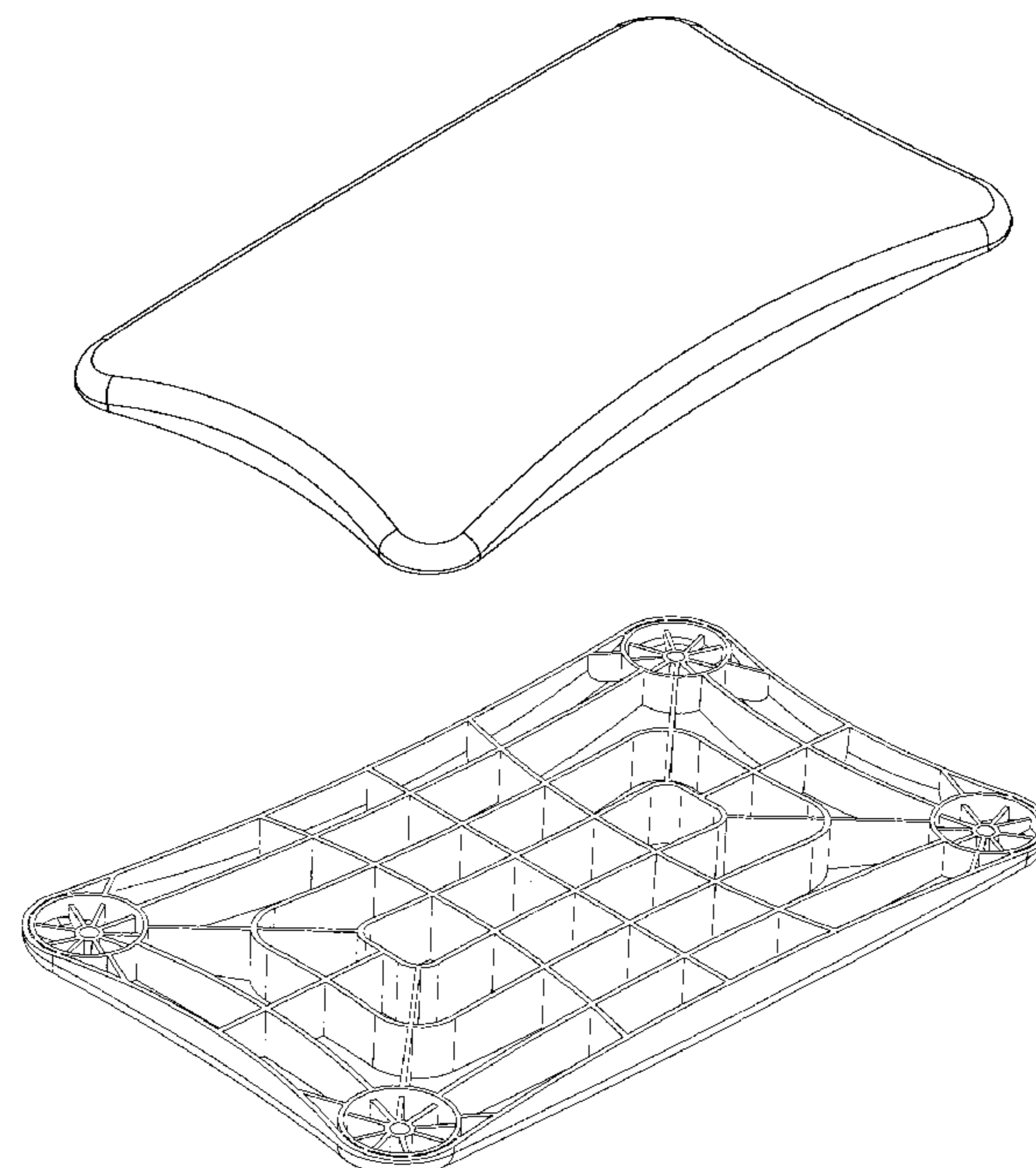
FIG. 5 is a side view thereof.

FIG. 6 is a side view thereof.

FIG. 7 is a bottom thereof; and,

FIG. 8 is a perspective view thereof.

**1 Claim, 3 Drawing Sheets**



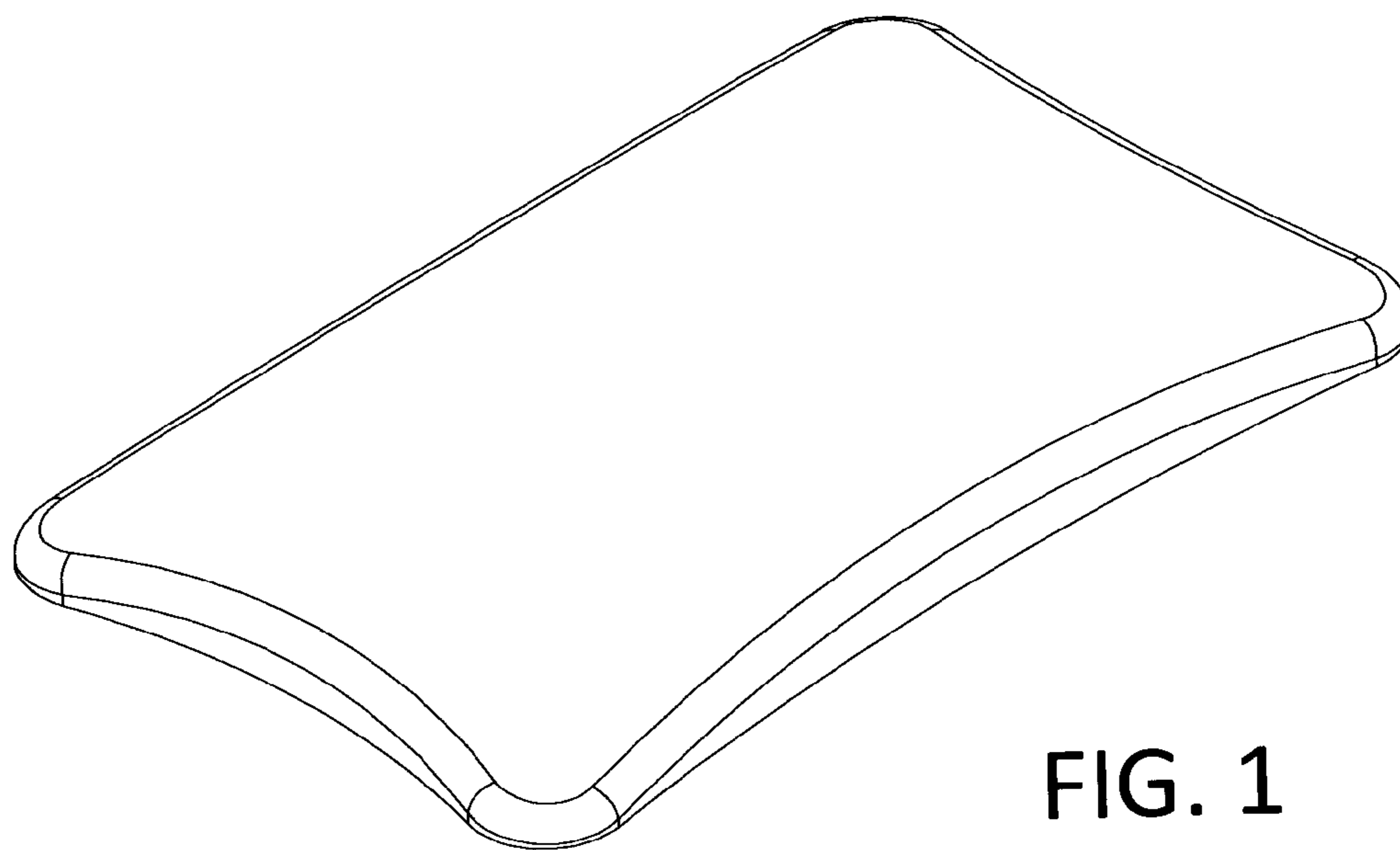


FIG. 1



FIG. 2



FIG. 3

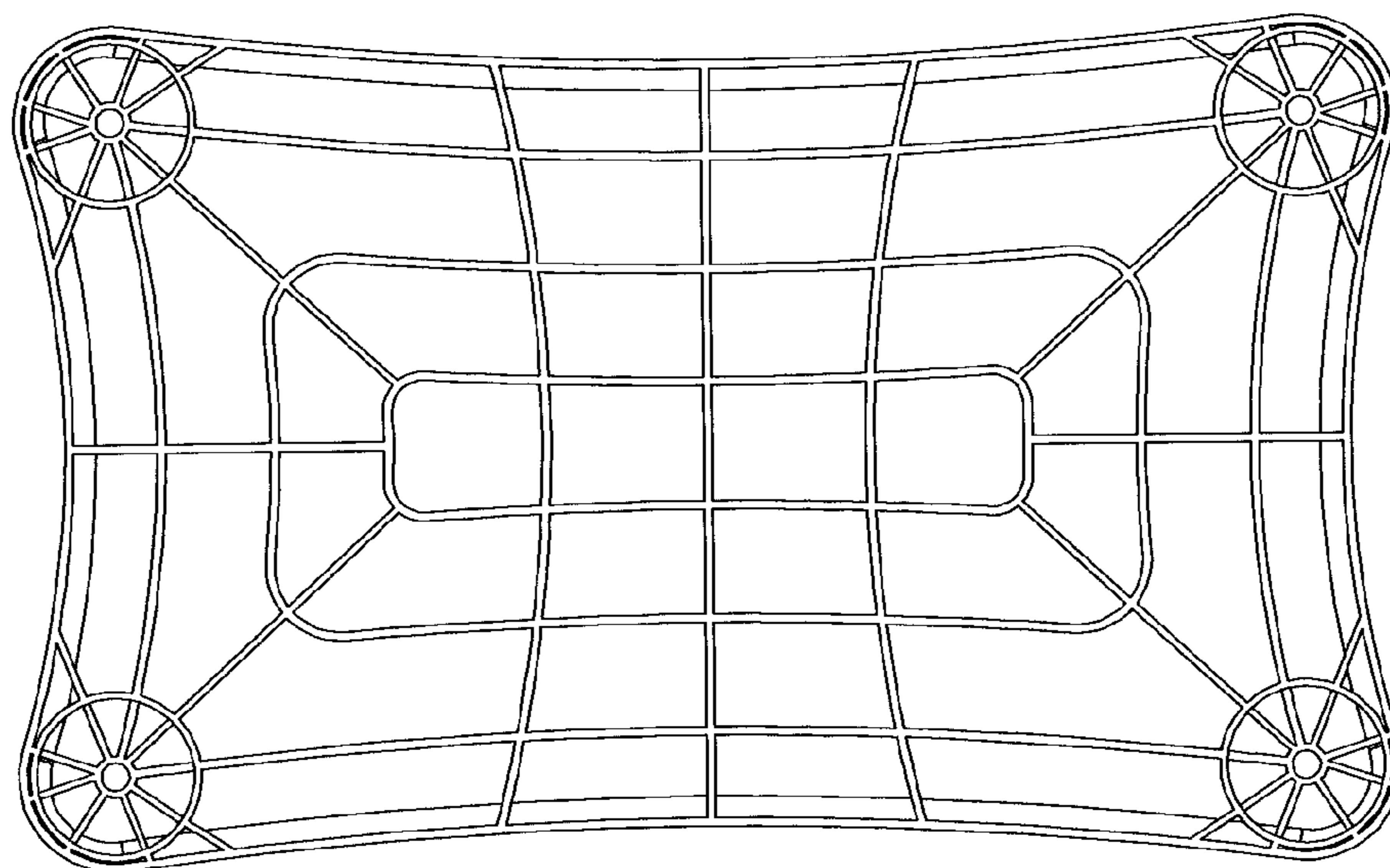


FIG. 4

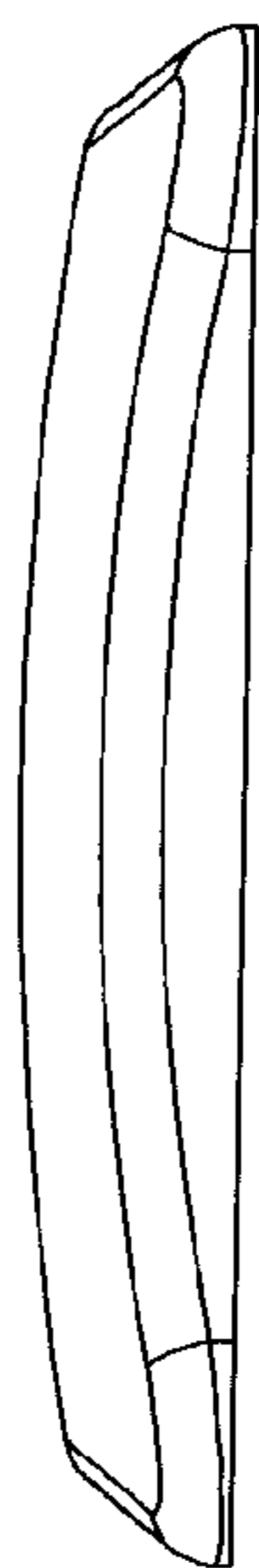


FIG. 5

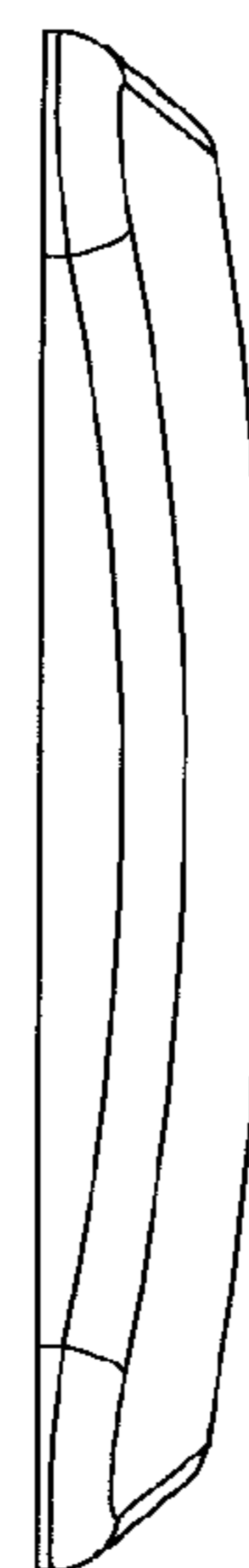


FIG. 6

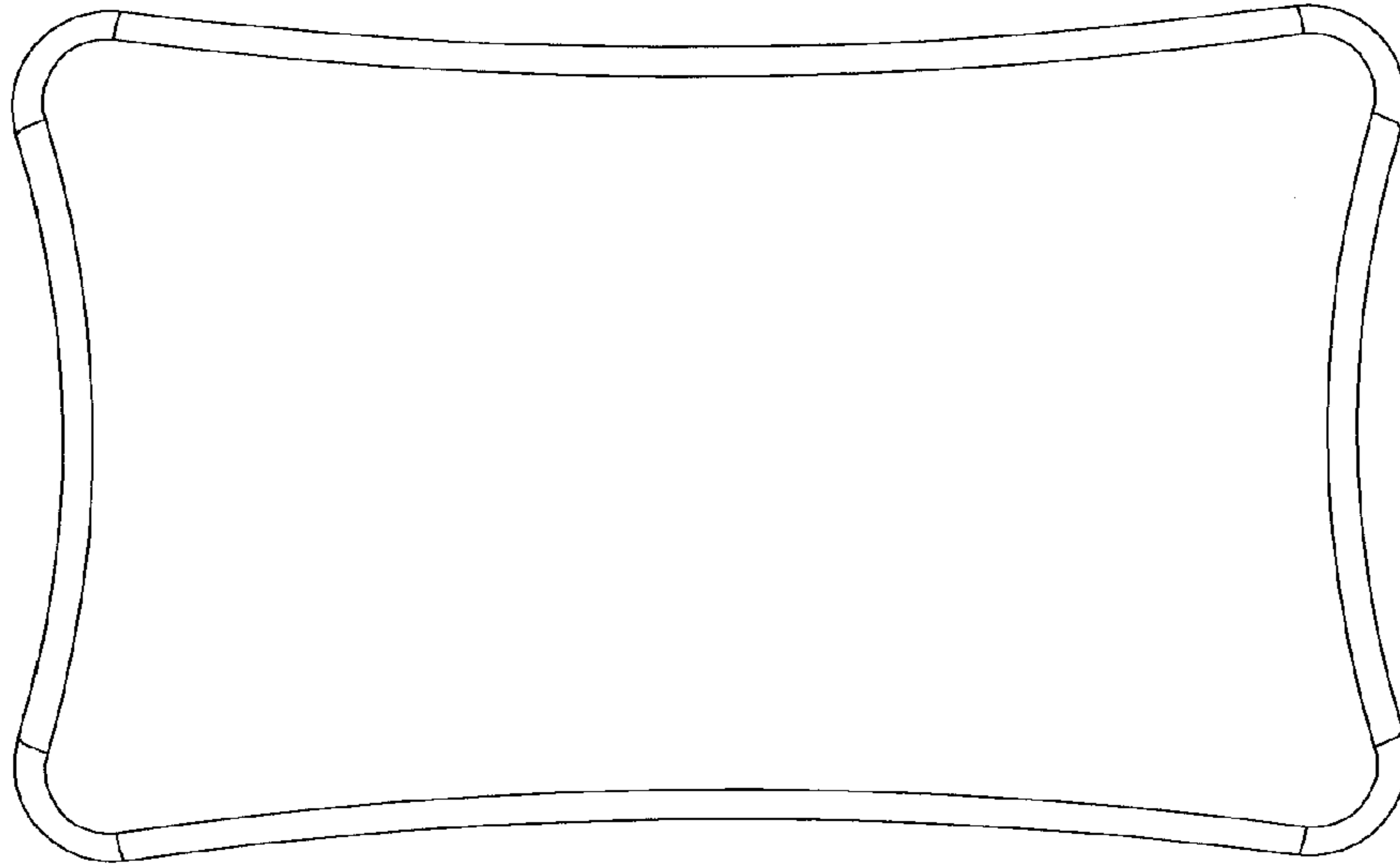


FIG. 7

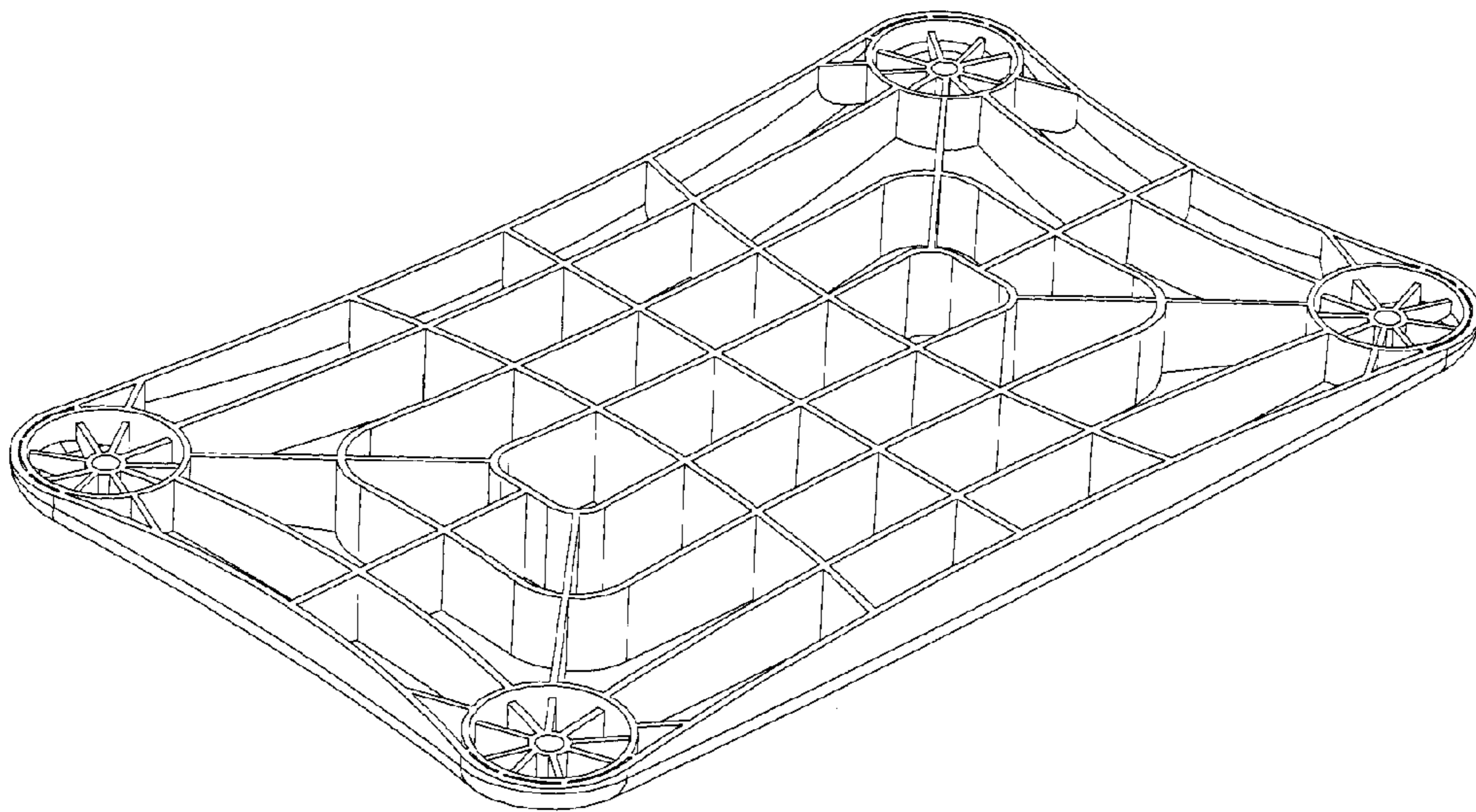


FIG. 8