



US00D643467S

(12) **United States Design Patent**
Yi et al.

(10) **Patent No.:** **US D643,467 S**

(45) **Date of Patent:** **** Aug. 16, 2011**

(54) **DESKTOP NAMEPLATE**

(75) Inventors: **Jean Yi**, Foshan (CN); **Danielle Rodgers**, Indianapolis, IN (US)

(73) Assignee: **Deflecto, LLC**, Indianapolis, IN (US)

(**) Term: **14 Years**

(21) Appl. No.: **29/384,272**

(22) Filed: **Jan. 28, 2011**

(51) **LOC (9) Cl.** **20-03**

(52) **U.S. Cl.** **D20/15**

(58) **Field of Classification Search** D20/10,
D20/13, 17, 19, 39-44, 99; 40/341, 358,
40/593, 618, 611.12, 642.02, 646-651, 653,
40/654.01, 655, 656, 658, 661, 661.01, 661.03-661.09,
40/661.11, 700, 735, 745, 750; D6/300,
D6/308, 310, 314; D10/104, 109; D17/126,
D17/455; D19/52, 91; 362/812

See application file for complete search history.

(56) **References Cited**

U.S. PATENT DOCUMENTS

D62,481 S *	6/1923	Fogarty	D20/44
D208,453 S *	9/1967	Van Ostrand	D20/15
3,369,312 A *	2/1968	Chrietzberg et al.	40/618
D233,572 S *	11/1974	Norrbohm	D20/15

D234,166 S *	1/1975	Silverman	D20/15
D235,083 S *	5/1975	Crandell	D20/15
D272,547 S *	2/1984	Gordon	D19/91
D277,196 S *	1/1985	Eason	D20/43
D383,122 S *	9/1997	Parks	D14/455
D452,081 S *	12/2001	Rowan	D6/300
D573,117 S *	7/2008	Niitsu	D14/126
D636,610 S *	4/2011	Caubel	D6/300

* cited by examiner

Primary Examiner — Mary Ann Calabrese

(74) *Attorney, Agent, or Firm* — SNR Denton US LLP

(57) **CLAIM**

The ornamental design for a desktop nameplate, as shown and described.

DESCRIPTION

FIG. 1 is a front elevational view of the desktop nameplate illustrating the new design;

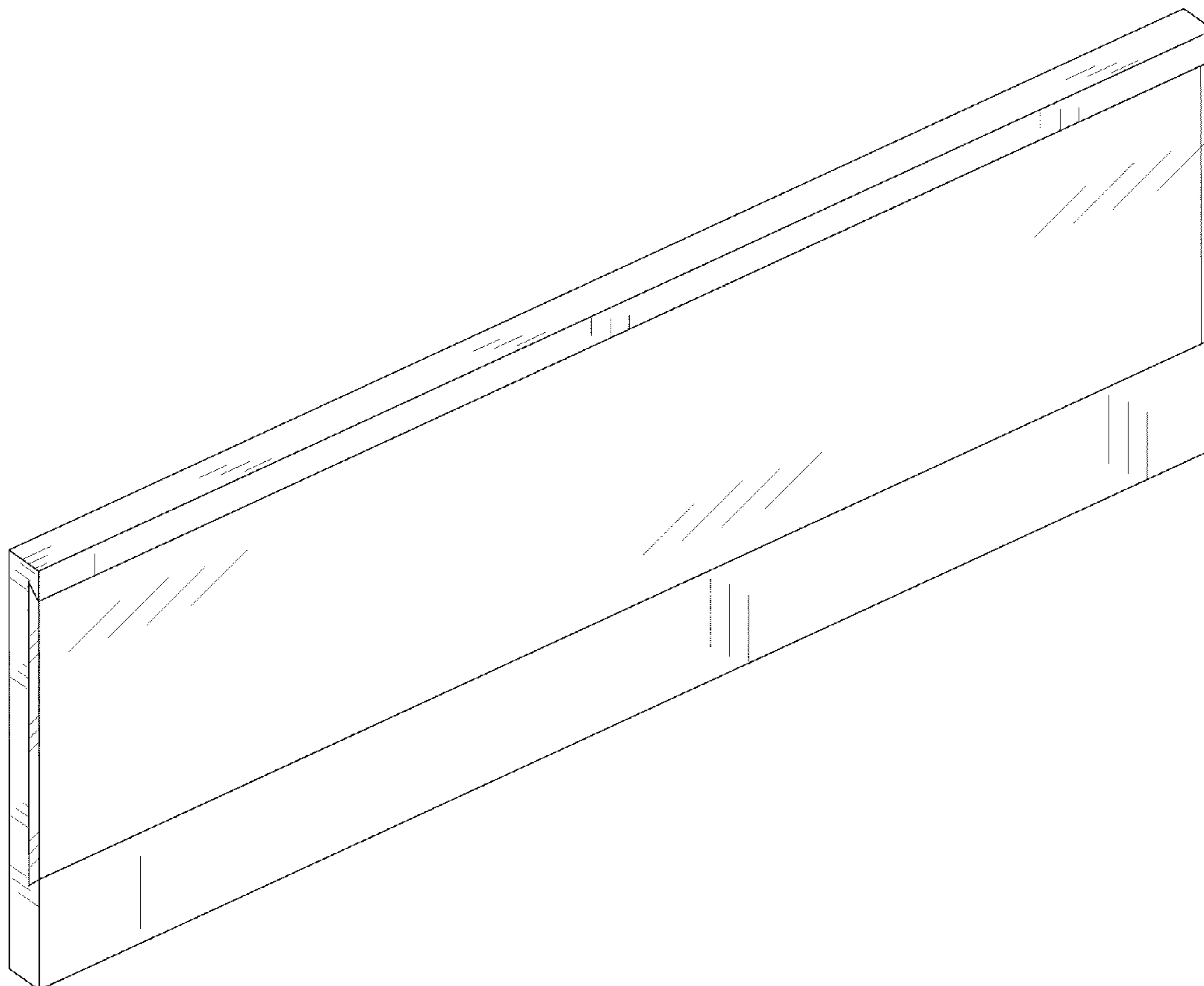
FIG. 2 is a right side view of the desktop nameplate illustrated in FIG. 1;

FIG. 3 is a rear view of the desktop nameplate illustrated in FIG. 1;

FIG. 4 is a top view of the desktop nameplate illustrated in FIG. 1; and,

FIG. 5 is a front perspective view of the desktop nameplate illustrated in FIG. 1.

1 Claim, 3 Drawing Sheets



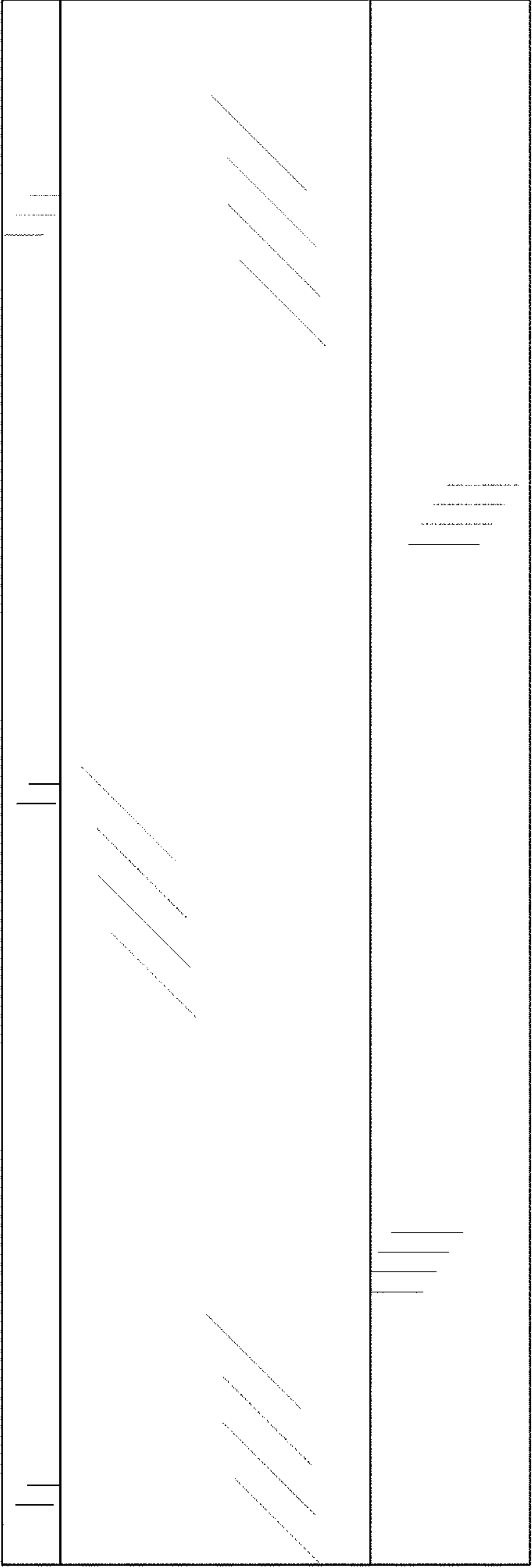


Fig. 1

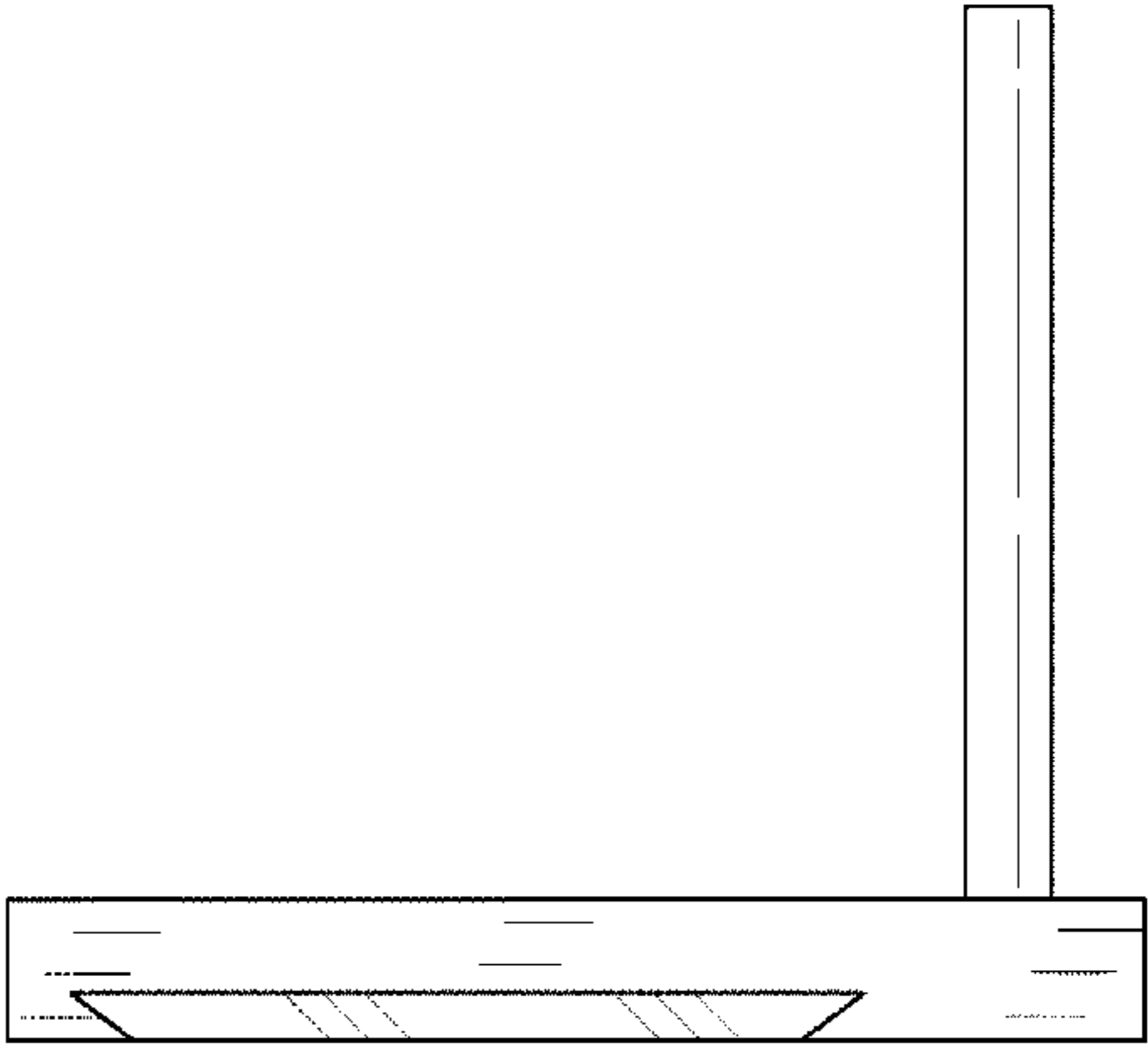


Fig. 2

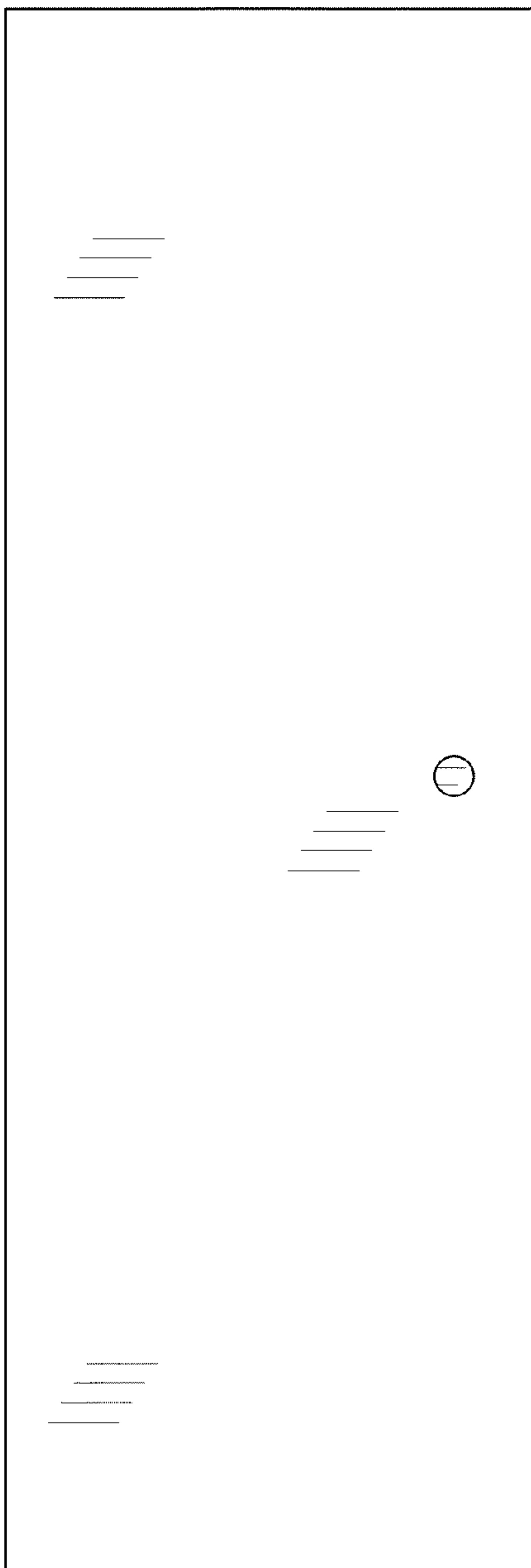


Fig. 3

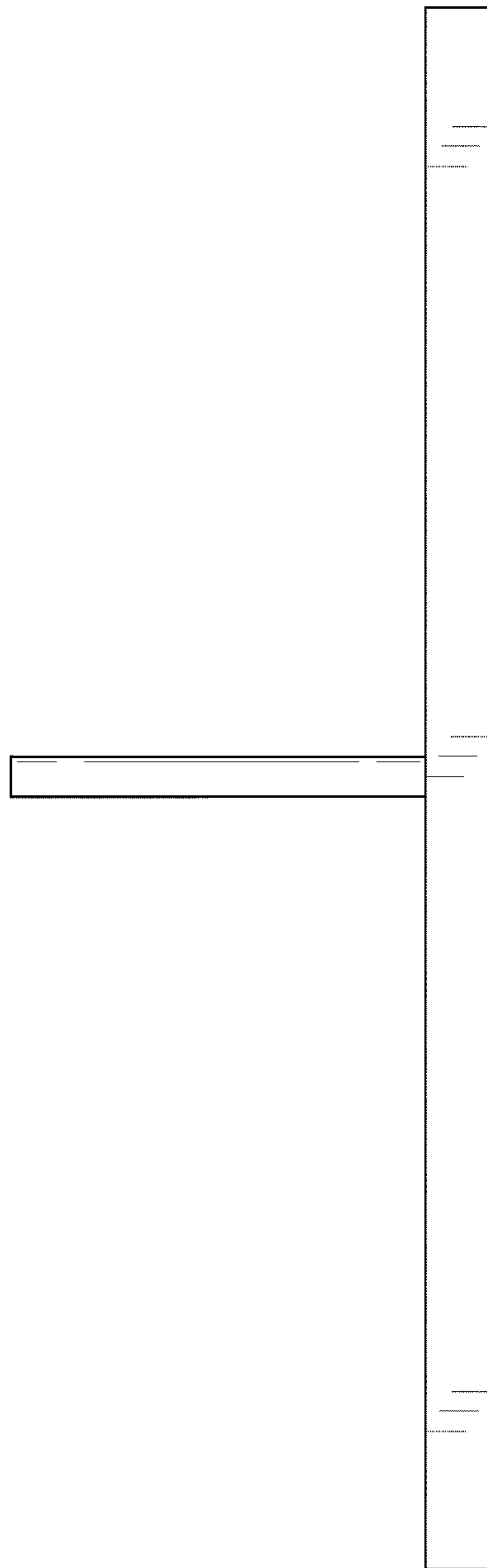


Fig. 4

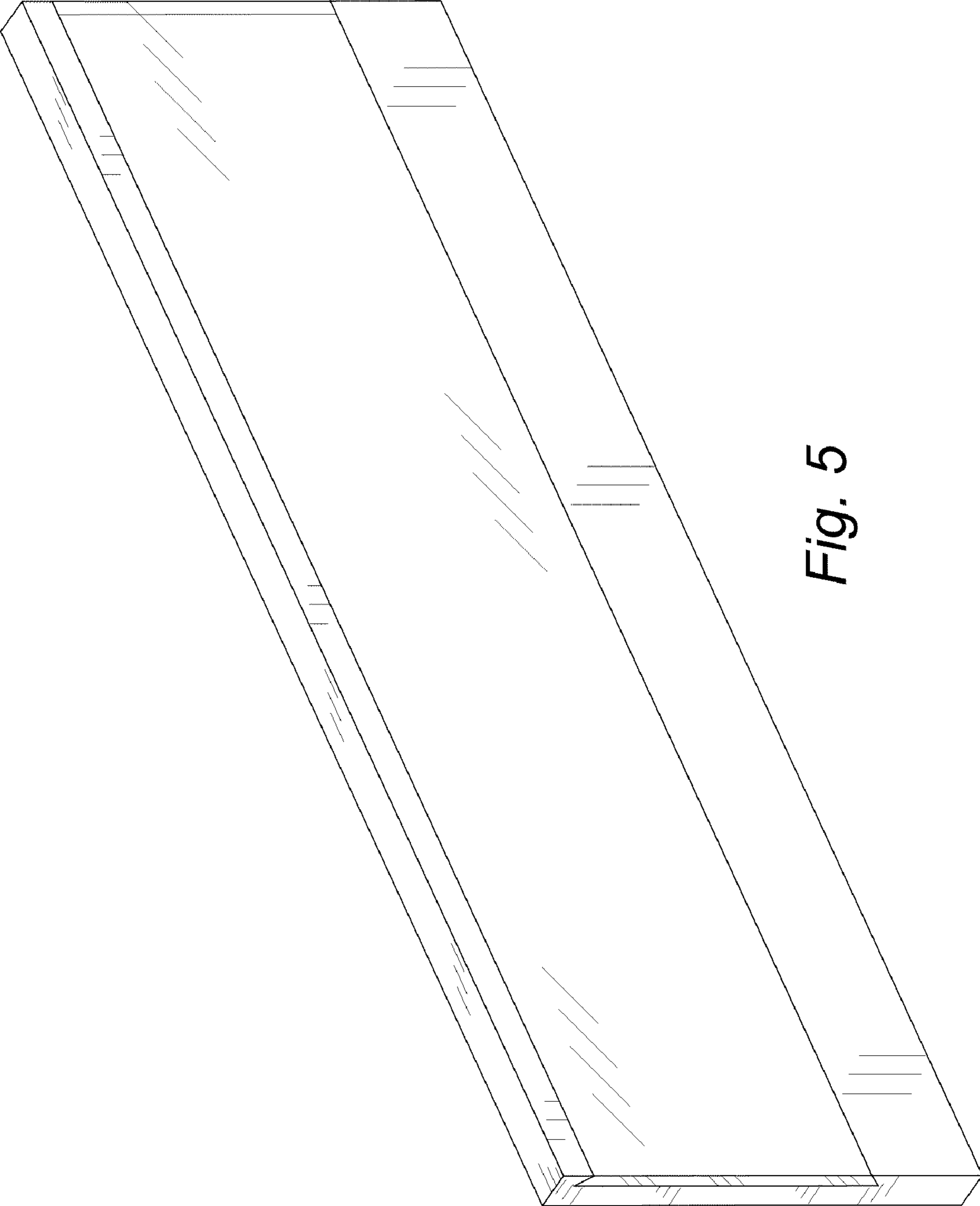


Fig. 5