



US00D643463S

(12) **United States Design Patent**  
**Sakurai**

(10) **Patent No.:** **US D643,463 S**

(45) **Date of Patent:** **\*\* Aug. 16, 2011**

(54) **PRINTER FOR A COMPUTER**

(75) Inventor: **Yoshihiro Sakurai**, Hamamatsu (JP)

(73) Assignee: **Roland DG Corporation**, Shizuoka (JP)

(\*\*) Term: **14 Years**

(21) Appl. No.: **29/332,739**

(22) Filed: **Feb. 24, 2009**

(30) **Foreign Application Priority Data**

Aug. 27, 2008 (JP) ..... 2008-022018

(51) **LOC (9) Cl.** ..... **18-02**

(52) **U.S. Cl.** ..... **D18/53**

(58) **Field of Classification Search** ..... D18/14,  
D18/18, 34.1, 34.3, 36, 39, 50, 53, 56, 59,  
D18/99; 101/212-213, 216, 232

See application file for complete search history.

(56) **References Cited**

**U.S. PATENT DOCUMENTS**

D342,907 S *	1/1994	Kamatsuda	.....	D10/63
D400,917 S *	11/1998	Kajikawa et al.	.....	D18/53
D407,740 S *	4/1999	Ina et al.	.....	D18/53
D408,848 S *	4/1999	Flores et al.	.....	D18/53
D450,755 S *	11/2001	Gimenez et al.	.....	D18/53
D464,080 S *	10/2002	Yamano et al.	.....	D18/53

D529,545 S *	10/2006	Kimura et al.	.....	D18/53
D595,345 S *	6/2009	Yagi et al.	.....	D18/53
D595,346 S *	6/2009	Yamano et al.	.....	D18/53
D597,131 S *	7/2009	Yamano et al.	.....	D18/53

\* cited by examiner

*Primary Examiner* — Ian Simmons

*Assistant Examiner* — Dana L Sipos

(74) *Attorney, Agent, or Firm* — Ditthavong Mori & Steiner, P.C.

(57) **CLAIM**

The ornamental design for a printer for a computer, as shown and described.

**DESCRIPTION**

FIG. 1 is a front view of a printer for a computer showing our new design;

FIG. 2 is a rear view thereof;

FIG. 3 is a top plan view thereof;

FIG. 4 is a bottom plan view thereof;

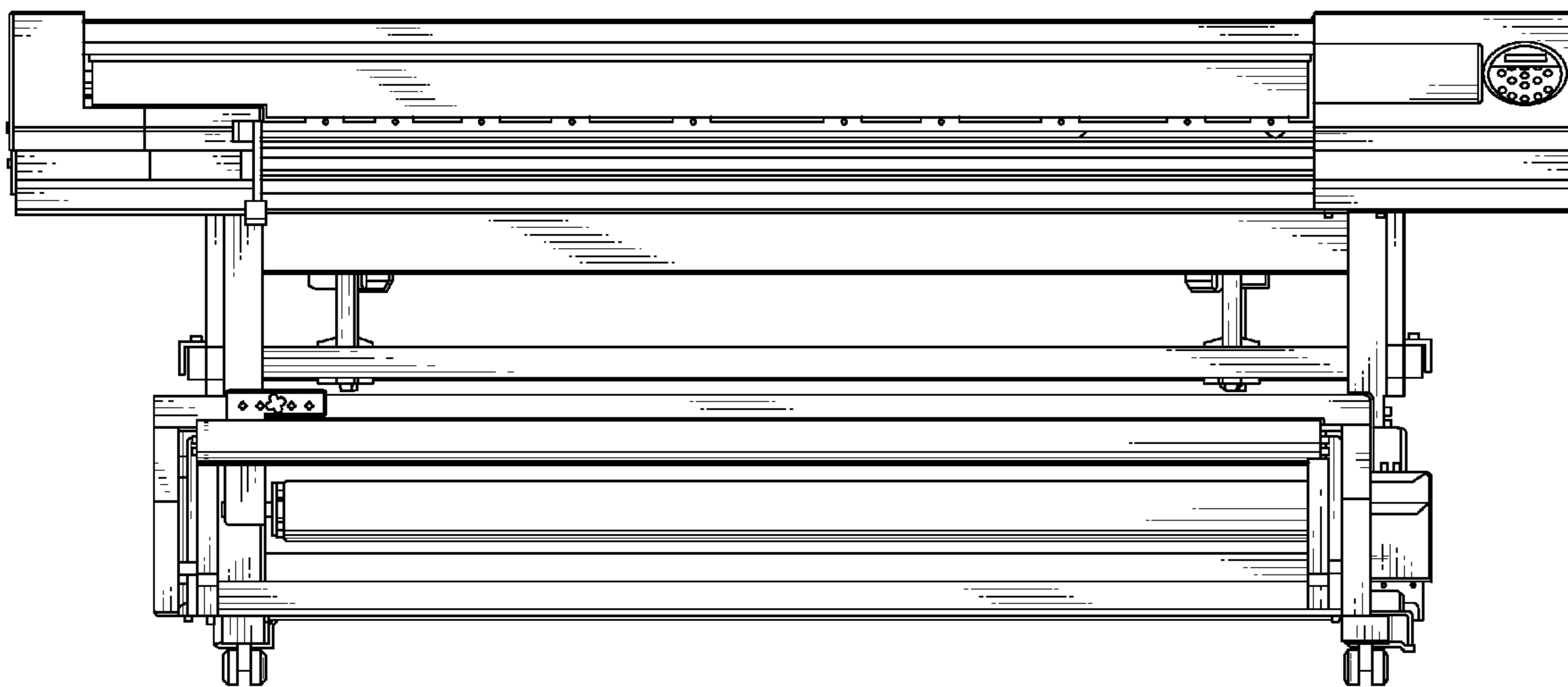
FIG. 5 is a right side view thereof;

FIG. 6 is a left side view thereof; and,

FIG. 7 is a perspective view thereof.

The features shown within broken lines in FIGS. 2-7 of the drawings illustrate portions of the design that form no part of the claim.

**1 Claim, 6 Drawing Sheets**



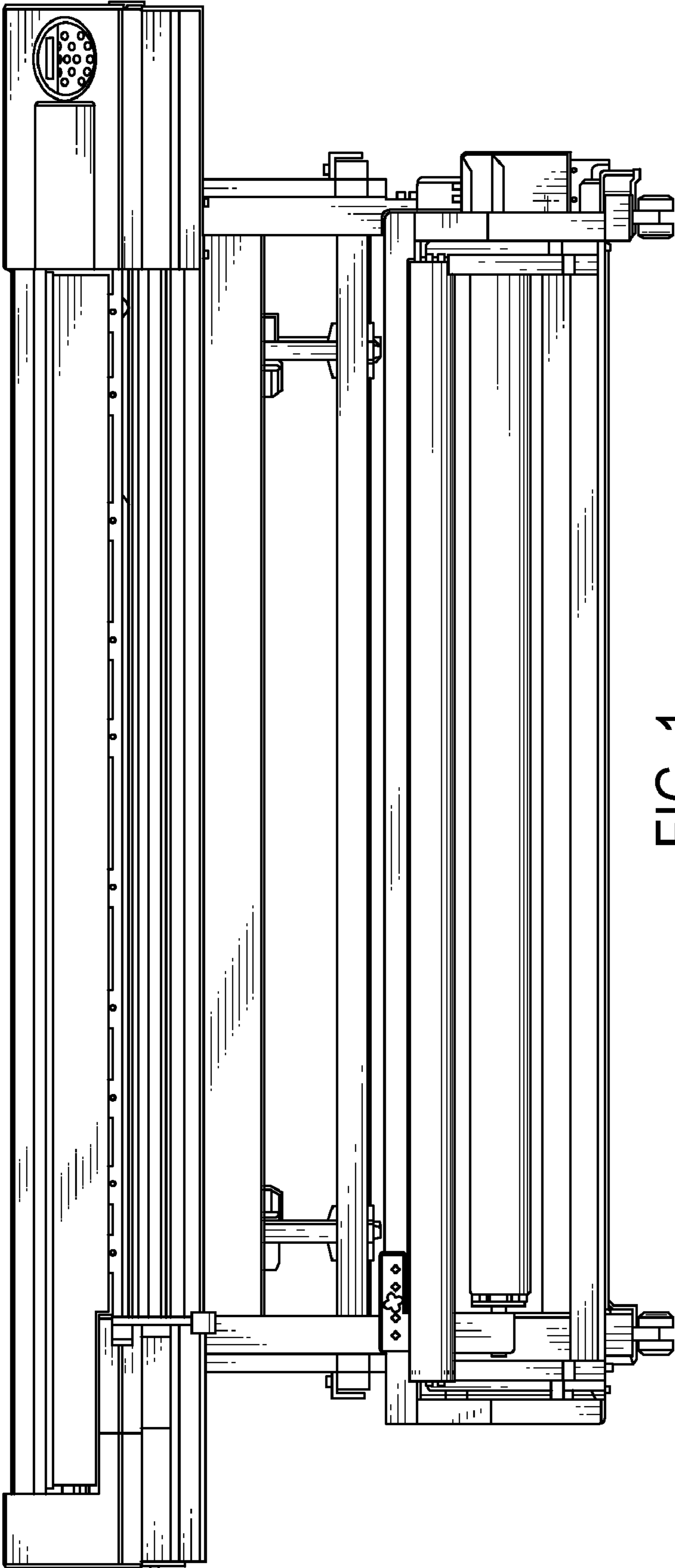


FIG. 1

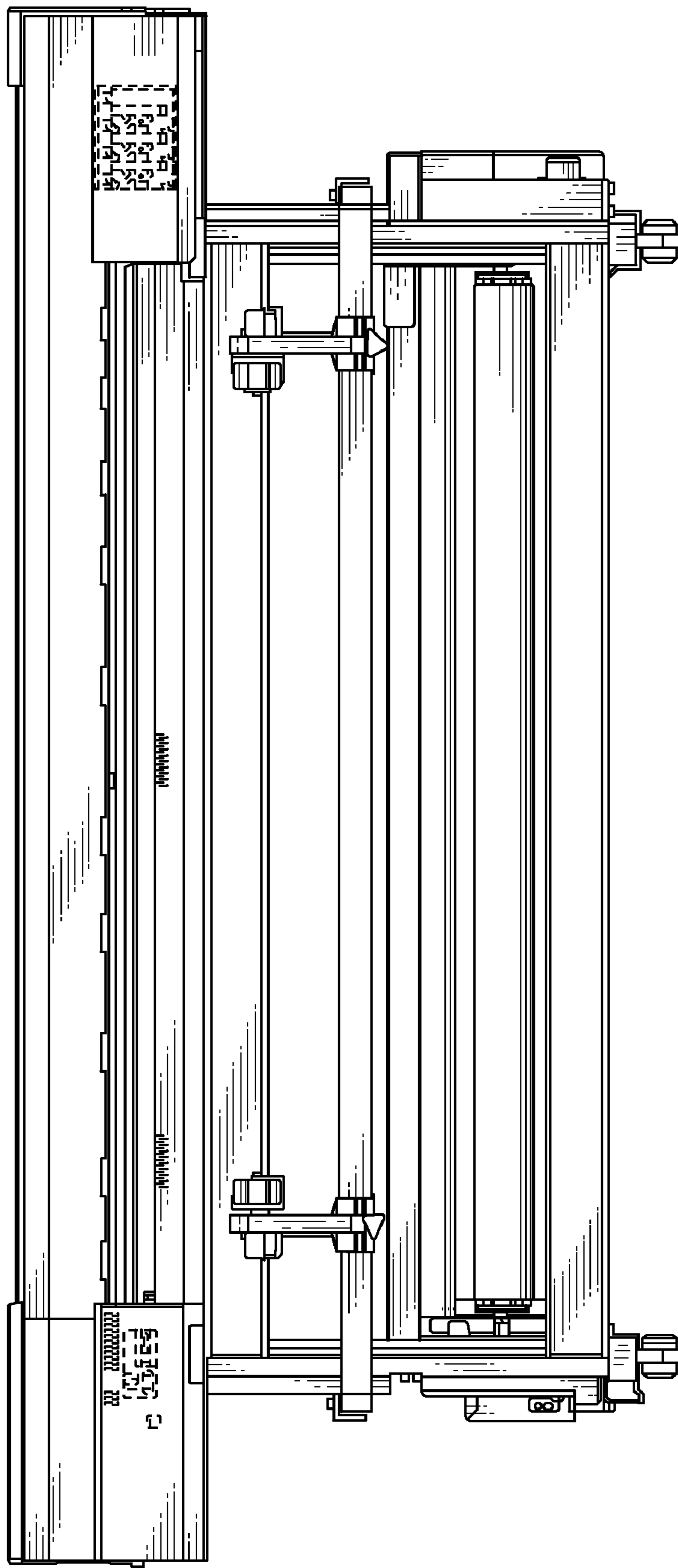


FIG. 2

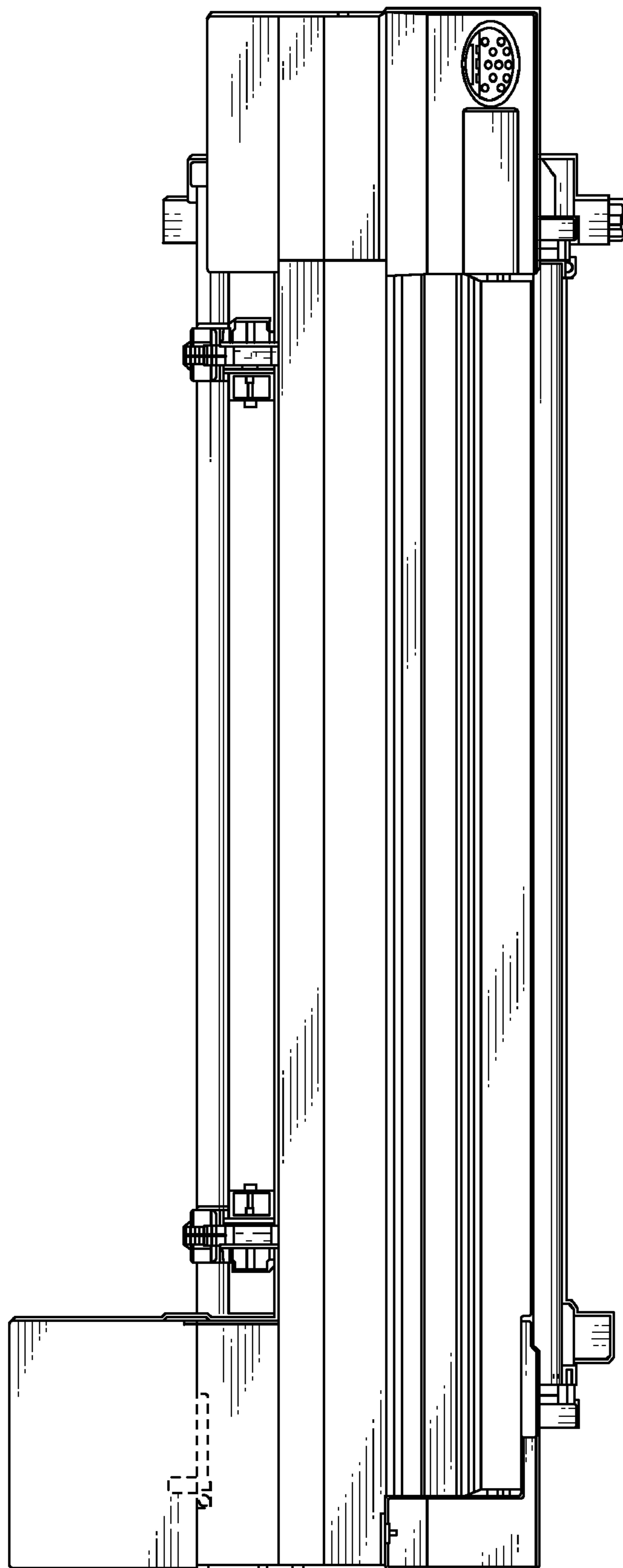


FIG. 3

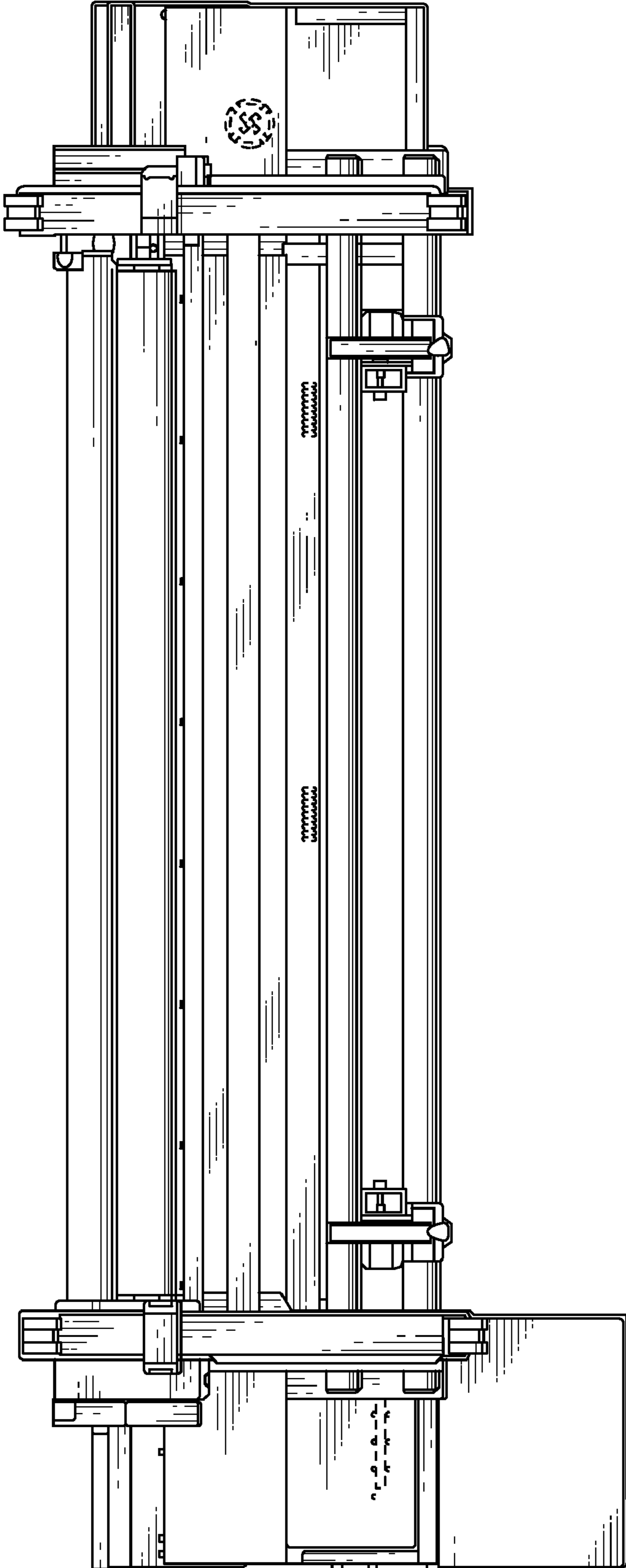


FIG. 4

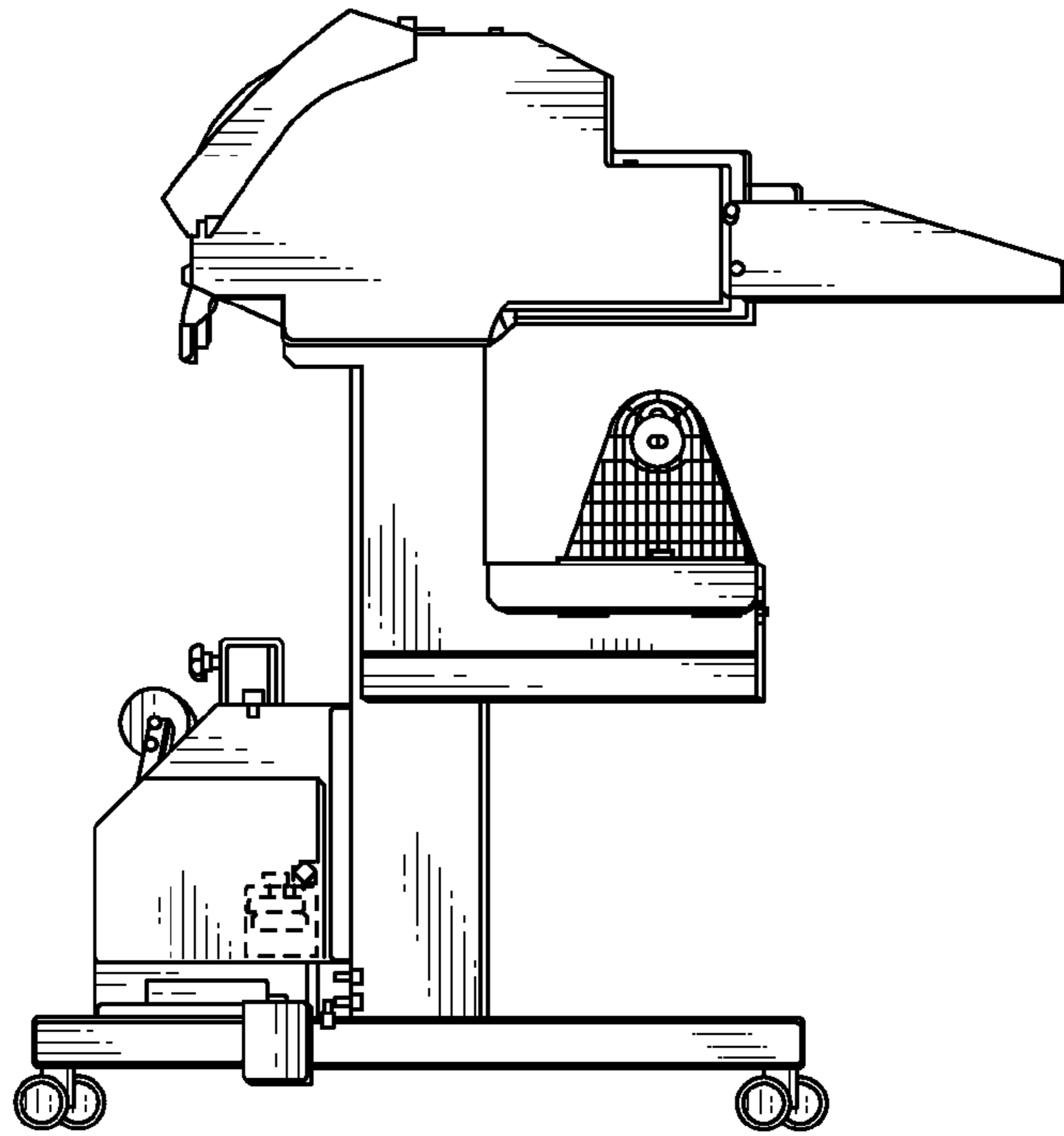


FIG. 5

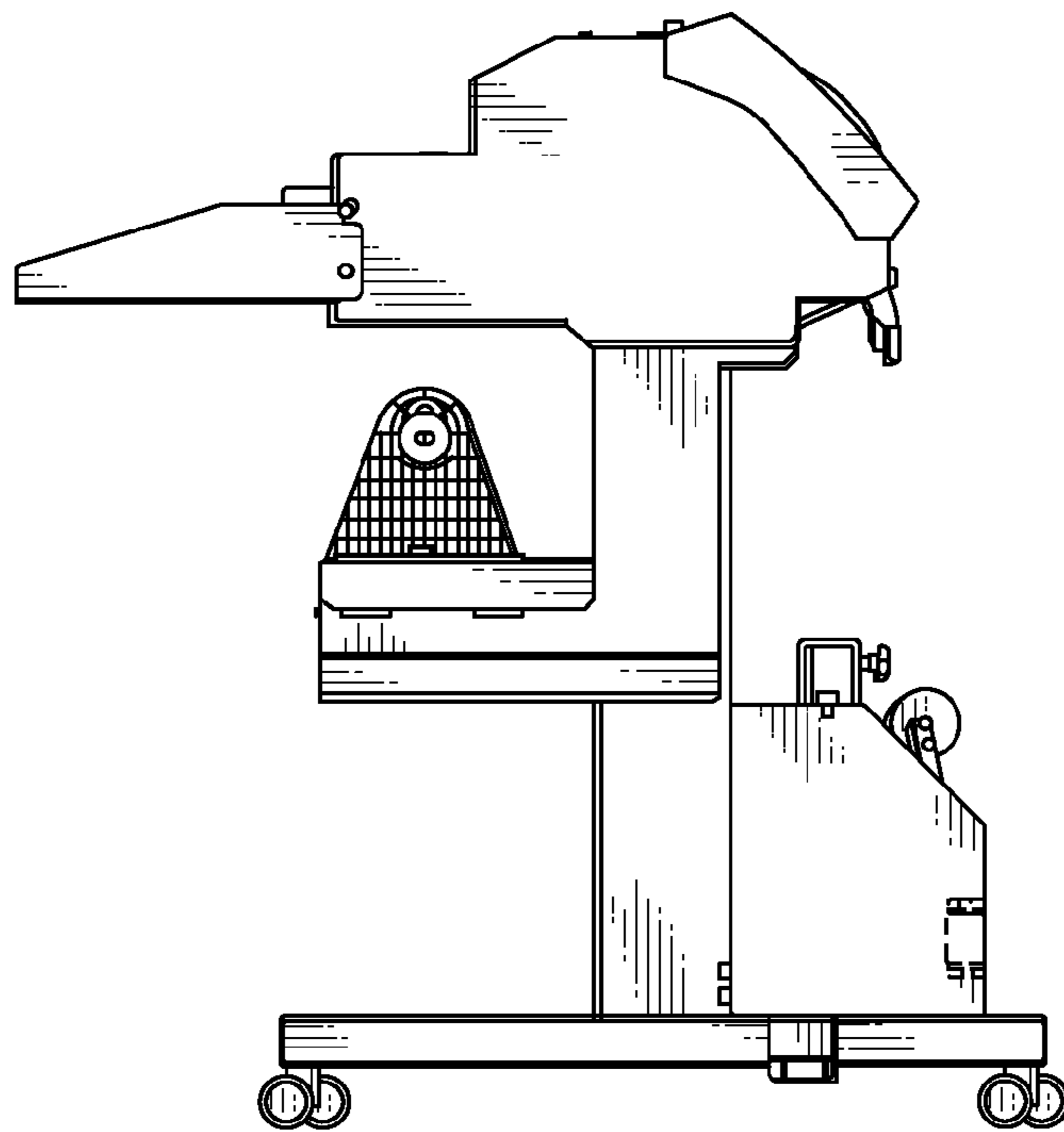


FIG. 6

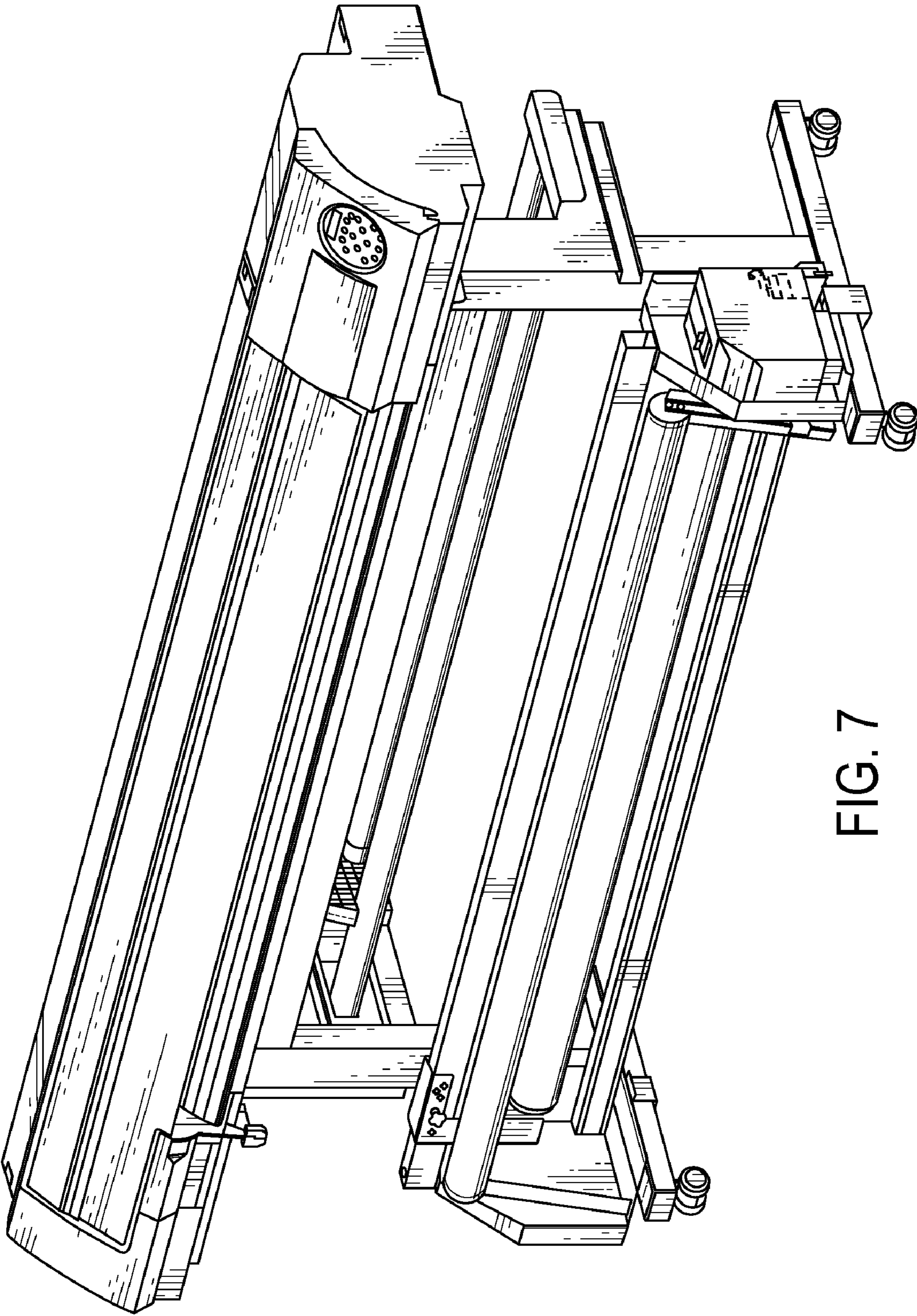


FIG. 7