



US00D643462S

(12) **United States Design Patent**
Yamashita et al.

(10) **Patent No.:** **US D643,462 S**

(45) **Date of Patent:** **** Aug. 16, 2011**

(54) **PRINTER**

(75) Inventors: **Yusuke Yamashita**, Matsumoto (JP);
Hiroto Miyauchi, Matsumoto (JP); **Toru Nakazawa**, Matsumoto (JP)

(73) Assignee: **Seiko Epson Corporation**, Tokyo (JP)

(**) Term: **14 Years**

(21) Appl. No.: **29/375,476**

(22) Filed: **Sep. 22, 2010**

(30) **Foreign Application Priority Data**

Jun. 30, 2010 (JP) 2010-015997

(51) **LOC (9) Cl.** **14-02**

(52) **U.S. Cl.** **D18/50**

(58) **Field of Classification Search** D18/19,
D18/36-37, 50, 54-54.1, 55; D14/420-425,
D14/463-470; 400/613, 613.1-613.4, 690,
400/690.1-690.4, 691-694

See application file for complete search history.

(56) **References Cited**

U.S. PATENT DOCUMENTS

D536,373 S *	2/2007	Inoue et al.	D18/55
D553,184 S *	10/2007	Lee et al.	D18/50
D573,179 S *	7/2008	Bae et al.	D18/50
D580,969 S *	11/2008	Sakai	D18/50
D584,346 S *	1/2009	Sumi	D18/50
D600,745 S	9/2009	Inoue et al.		
D607,925 S *	1/2010	Morrison et al.	D18/50
D614,234 S	4/2010	Ishikawa et al.		
D633,139 S *	2/2011	Park et al.	D18/55

* cited by examiner

Primary Examiner — Cathy A MacCormac

(57) **CLAIM**

The ornamental design for a printer, as shown and described.

DESCRIPTION

FIG. 1 is a top, front and right side perspective view of a printer showing our new design;
FIG. 2 is a front view thereof;
FIG. 3 is a rear view thereof;
FIG. 4 is a top plan view thereof;
FIG. 5 is a bottom plan view thereof;
FIG. 6 is a left side elevational view thereof; and,
FIG. 7 is a right side elevational view thereof.
The broken lines are shown for illustrative purposes only and form no part of the claimed design.

1 Claim, 5 Drawing Sheets

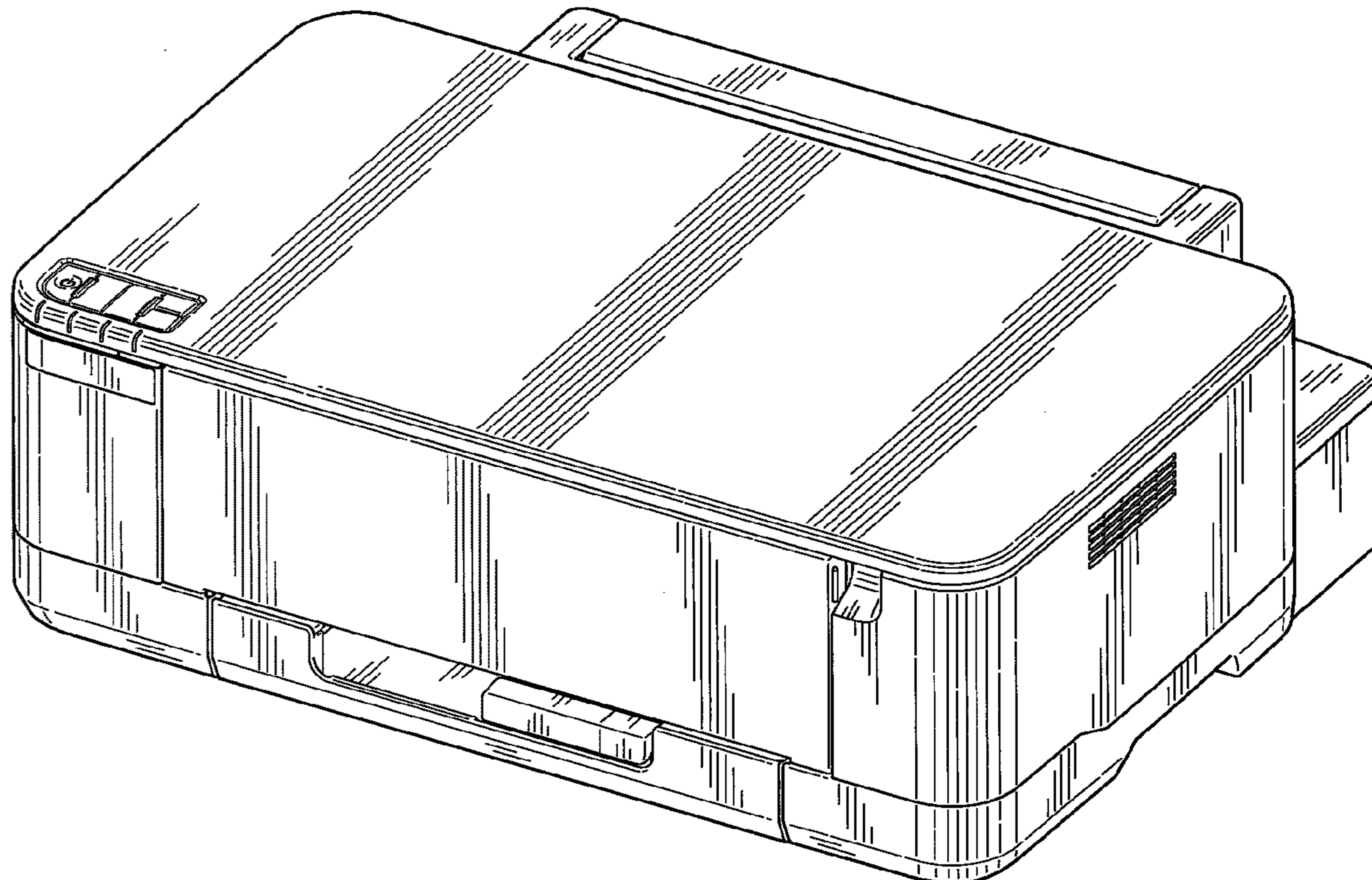


Fig. 1

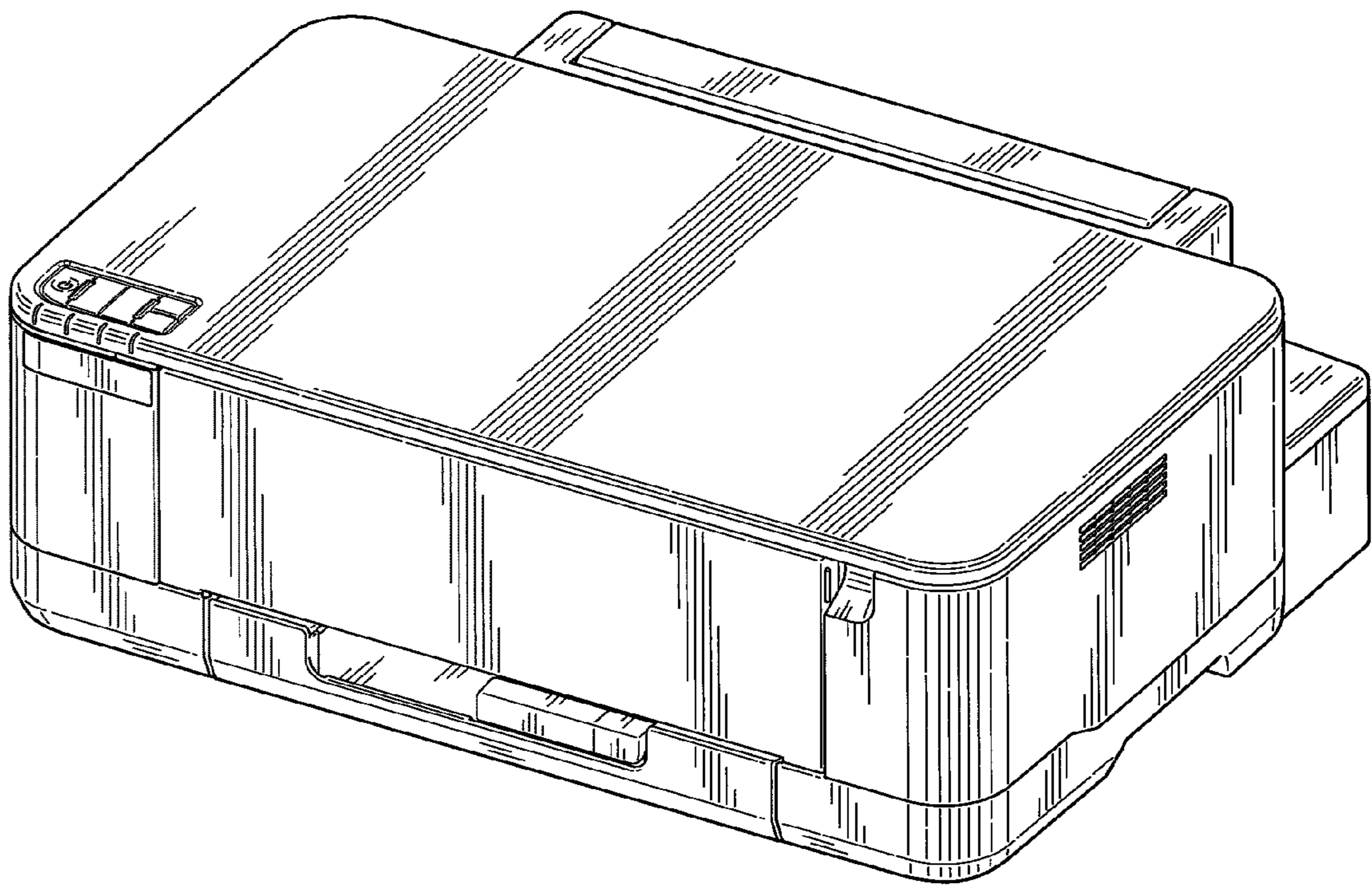


Fig. 2

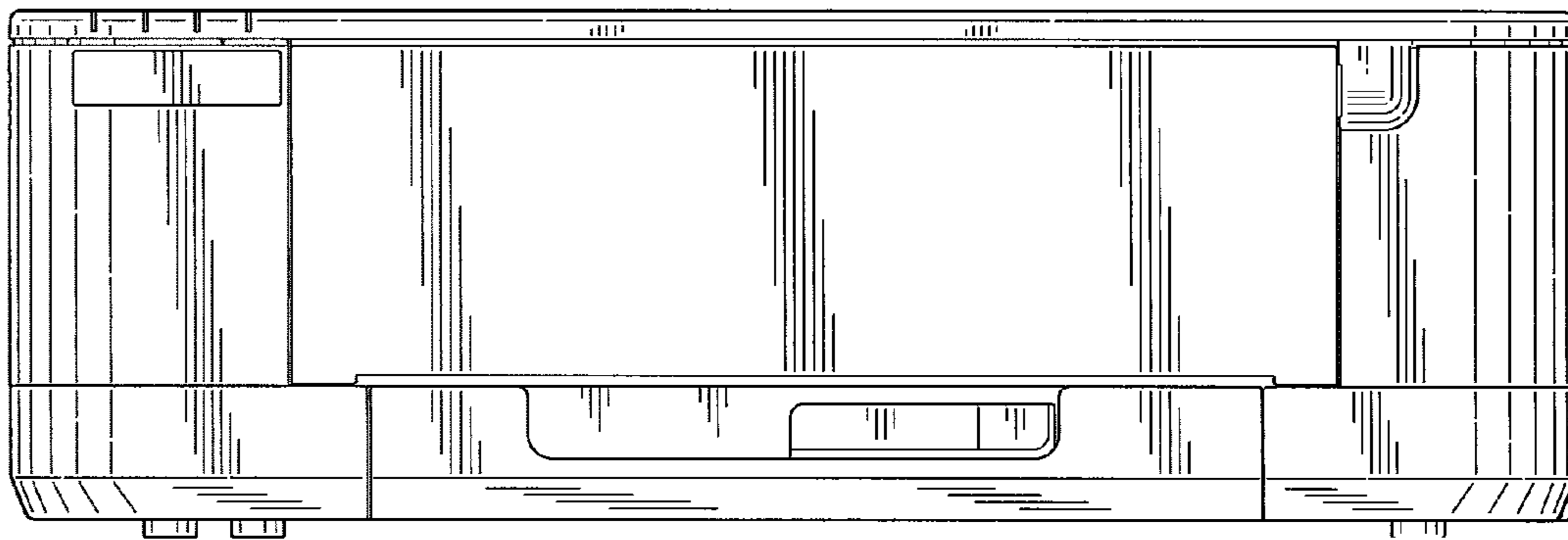


Fig. 3

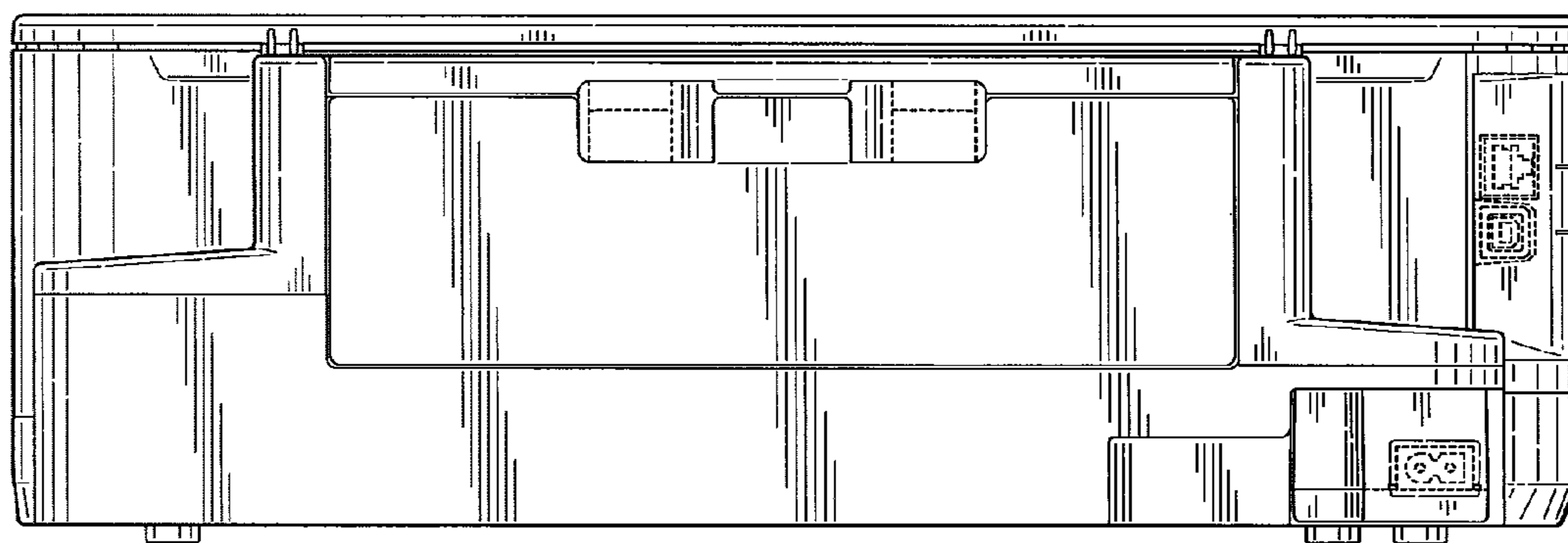


Fig. 4

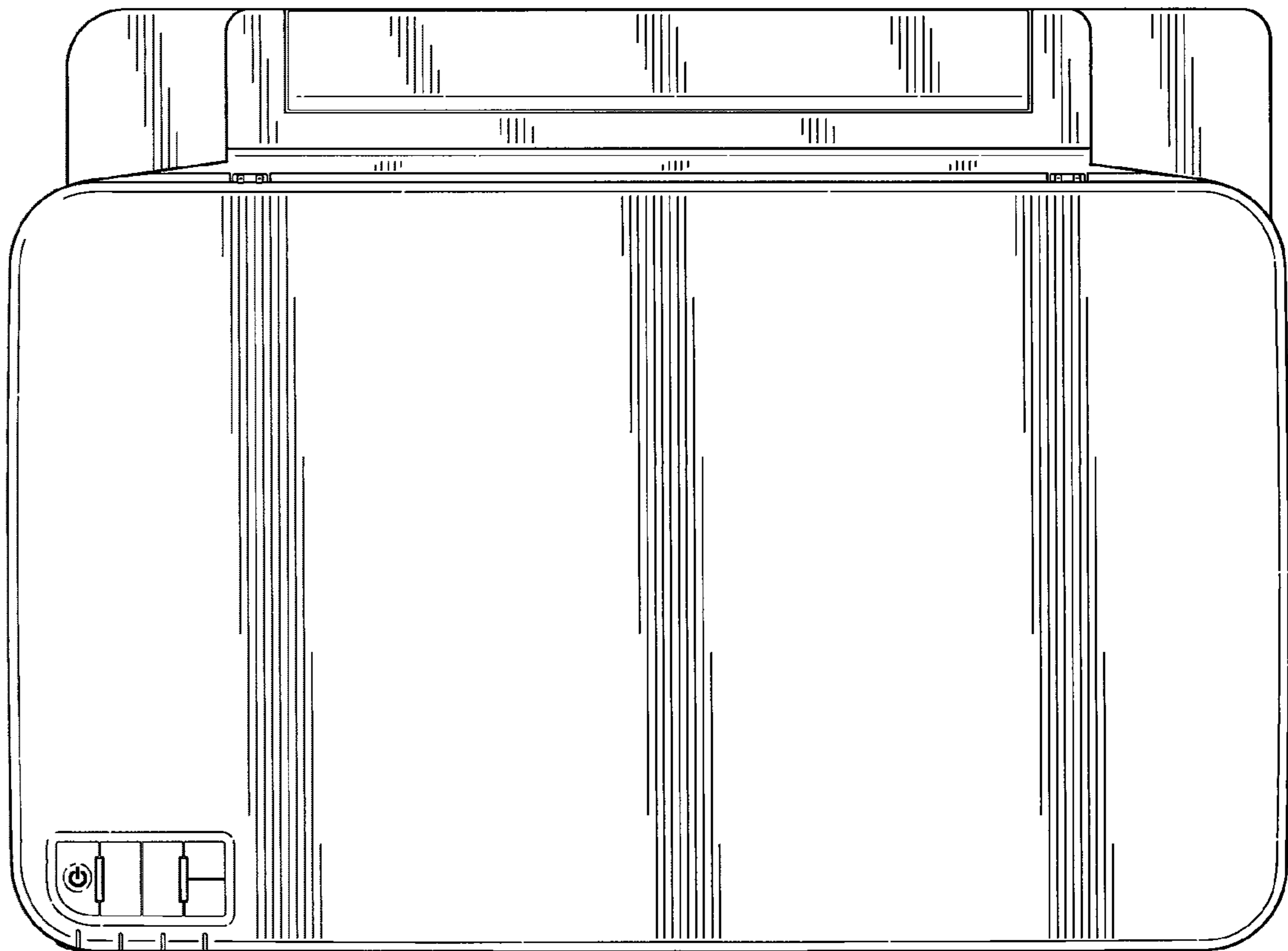


Fig. 5

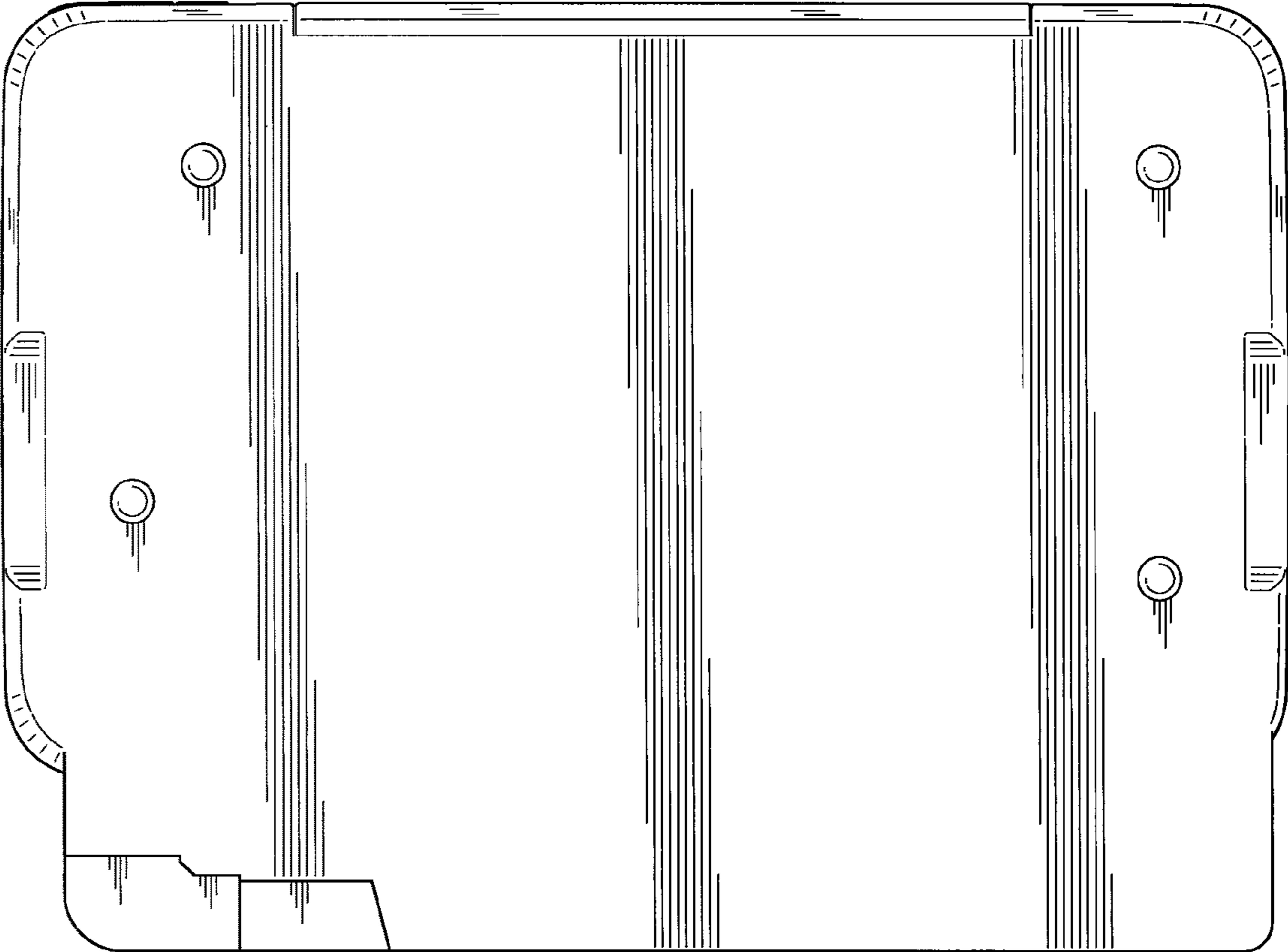


Fig. 6

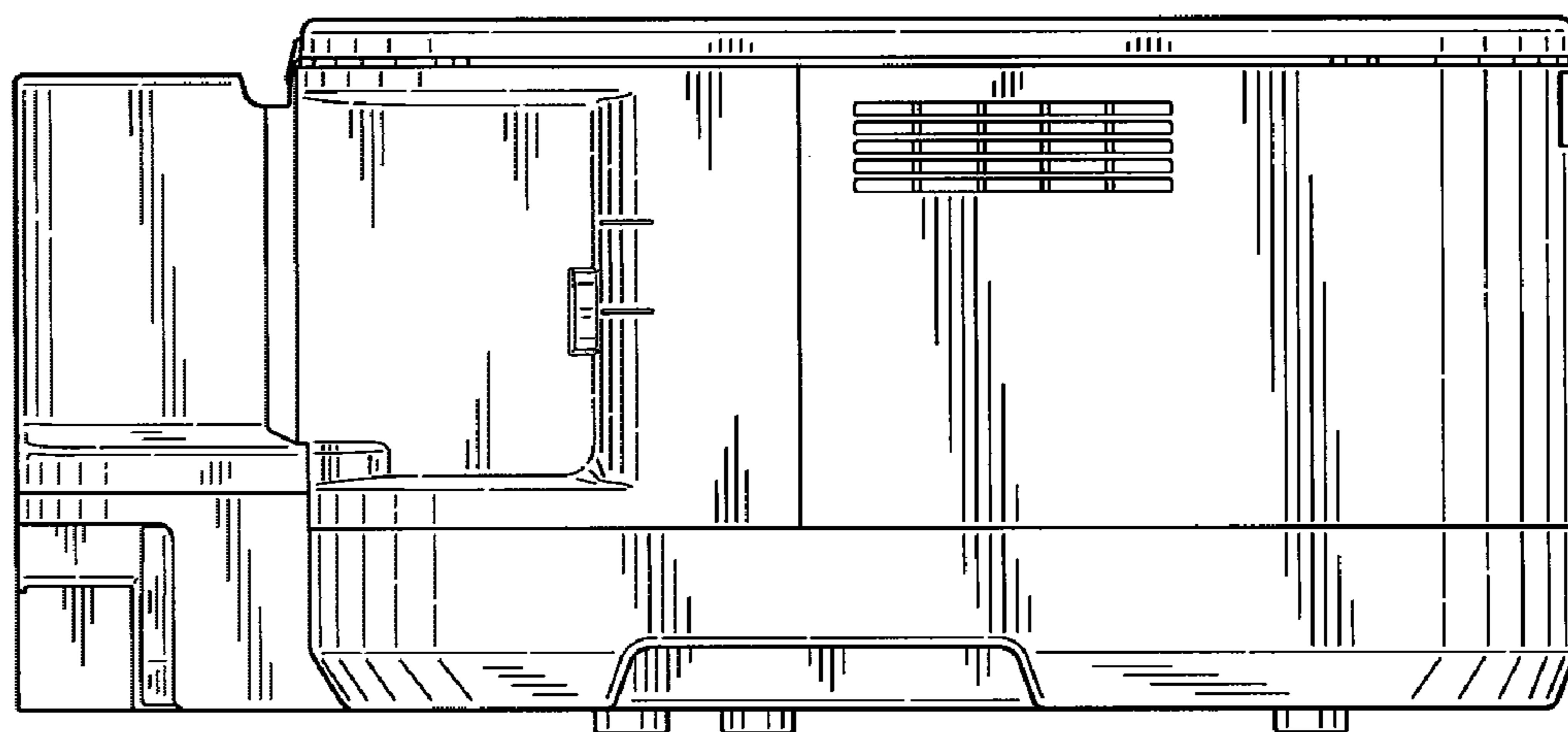


Fig. 7

