



US00D643461S

(12) **United States Design Patent**  
**Kim et al.**

(10) **Patent No.:** **US D643,461 S**

(45) **Date of Patent:** **\*\* Aug. 16, 2011**

(54) **SHREDDER**

(75) Inventors: **Hyunchul Kim**, Chicago, IL (US); **Tong Jin Kim**, Evanston, IL (US); **Patrick M. Bodkin**, Chicago, IL (US)

(73) Assignee: **Fellowes, Inc.**, Itasca, IL (US)

(\*\*) Term: **14 Years**

(21) Appl. No.: **29/361,335**

(22) Filed: **May 10, 2010**

(51) **LOC (9) Cl.** ..... **18-04**

(52) **U.S. Cl.** ..... **D18/34.5**

(58) **Field of Classification Search** ..... D18/34.1–34.9,  
D18/50, 54, 55; 241/100, 236, 37.5, 101.78,  
241/36; 270/58.16, 58.17; 83/613, 614,  
83/623, 485, 57–68; D15/146; 30/275.4,  
30/276; D23/356, 359, 366  
See application file for complete search history.

(56) **References Cited**

U.S. PATENT DOCUMENTS

5,429,313	A *	7/1995	Schwelling	241/36
D454,907	S *	3/2002	Ho	D18/34.6
D455,171	S *	4/2002	Ho	D18/34.6
D502,961	S *	3/2005	Lo	D18/34.6
7,083,131	B2 *	8/2006	Ting	241/100
D556,250	S *	11/2007	Kent et al.	D18/34.6
D583,859	S	12/2008	Holderfield et al.	
D584,342	S	1/2009	Parratt et al.	
D591,335	S	4/2009	Holderfield et al.	
7,513,448	B2 *	4/2009	Ko	241/100
7,537,176	B2 *	5/2009	Shen	241/37.5
D598,048	S	8/2009	Holderfield et al.	
D602,073	S	10/2009	Holderfield et al.	
D602,074	S	10/2009	Holderfield et al.	
D602,517	S	10/2009	Parratt et al.	
D602,518	S	10/2009	Holderfield et al.	
D602,982	S *	10/2009	Kit et al.	D18/34.5
D604,762	S	11/2009	Parratt et al.	
D604,763	S	11/2009	Holderfield et al.	
7,624,938	B2 *	12/2009	Aries et al.	241/36

D609,102	S	2/2010	Matlin	
D611,088	S *	3/2010	Kent et al.	D18/34.5
D611,089	S	3/2010	Matlin et al.	
D616,925	S *	6/2010	Kim et al.	D18/34.5
D618,275	S *	6/2010	Wing et al.	D18/34.5
2002/0017579	A1 *	2/2002	Wen	241/236

(Continued)

*Primary Examiner* — Jeffrey D Asch

(74) *Attorney, Agent, or Firm* — Pillsbury Winthrop Shaw Pittman LLP

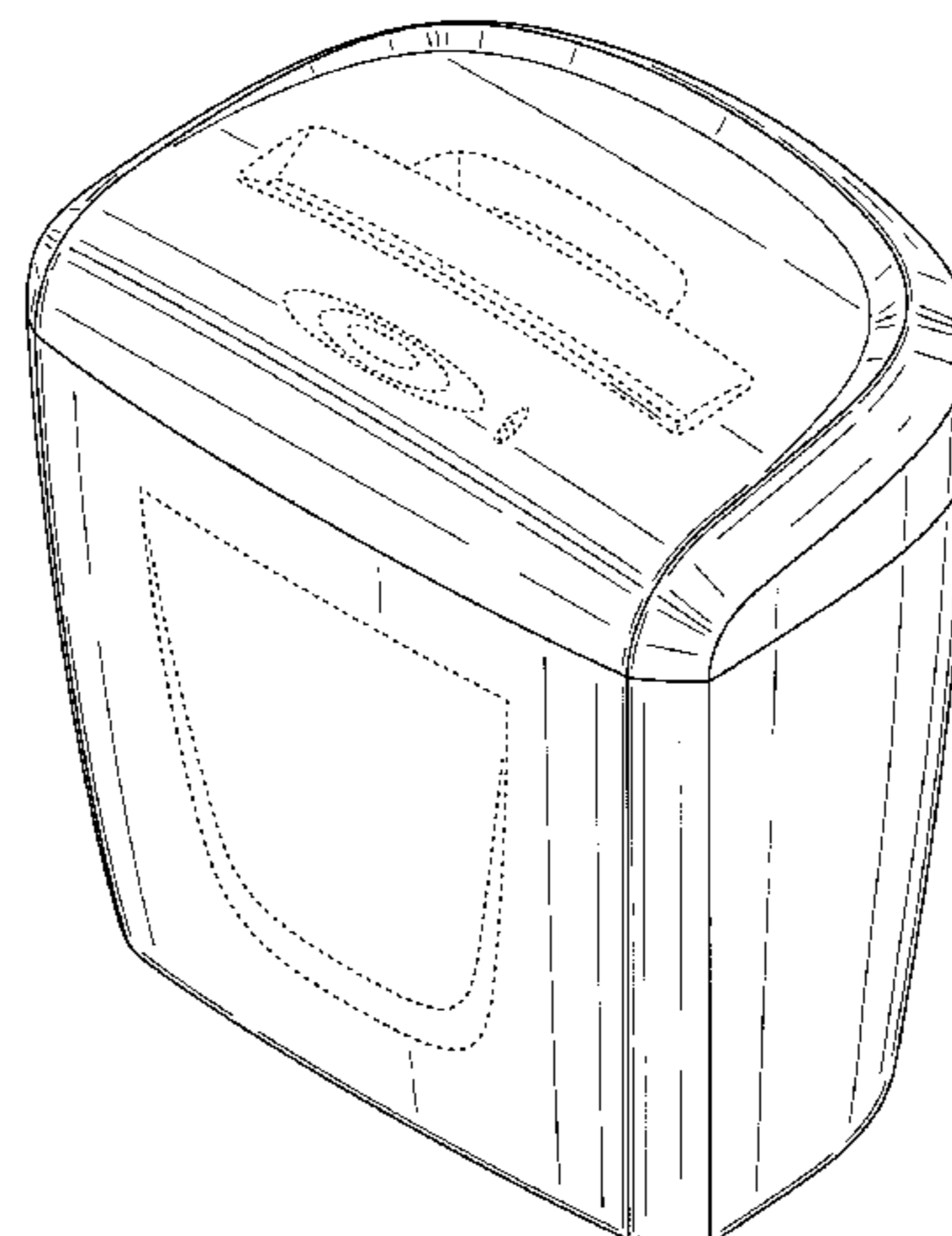
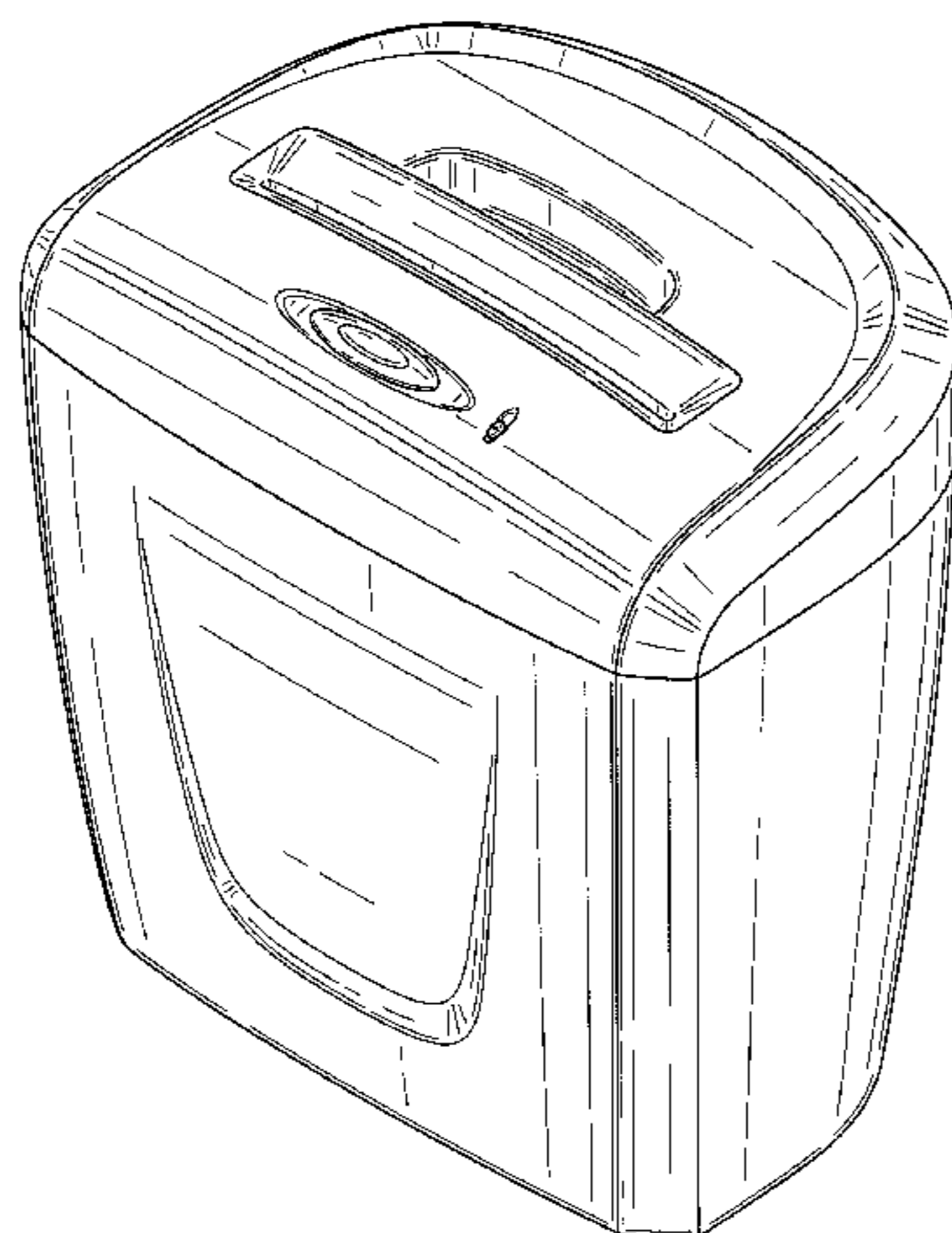
(57) **CLAIM**

The ornamental design for a shredder, as shown and described.

**DESCRIPTION**

FIG. 1 is a perspective view of a shredder showing a first embodiment of the new design;  
 FIG. 2 is a top plan view of the shredder of FIG. 1;  
 FIG. 3 is a front elevation view of the shredder of FIG. 1;  
 FIG. 4 is a right side elevation view of the shredder of FIG. 1;  
 FIG. 5 is a left side elevation view of the shredder of FIG. 1;  
 FIG. 6 is a rear elevation of the shredder of FIG. 1;  
 FIG. 7 is a bottom plan view of the shredder of FIG. 1;  
 FIG. 8 is a perspective view of a shredder showing a second embodiment of the new design;  
 FIG. 9 is a top plan view of the shredder of FIG. 8;  
 FIG. 10 is a front elevation view of the shredder of FIG. 8;  
 FIG. 11 is a right side elevation view of the shredder of FIG. 8;  
 FIG. 12 is a left side elevation view of the shredder of FIG. 8;  
 FIG. 13 is a rear elevation of the shredder of FIG. 8; and,  
 FIG. 14 is a bottom plan view of the shredder of FIG. 8.  
 The broken lines shown in FIGS. 8-14 that are immediately adjacent to the shaded areas and define unshaded regions, represent the bounds of the embodiment in which they are shown, while all other broken lines are directed to environment and are for illustrative purposes only; the broken lines form no part of the embodiment in which they are shown.

**1 Claim, 14 Drawing Sheets**



# US D643,461 S

Page 2

---

U.S. PATENT DOCUMENTS			
2006/0175444	A1 *	8/2006	Chen ..... 241/100
2007/0007373	A1 *	1/2007	Matlin et al. .... 241/36
2008/0093488	A1 *	4/2008	Kent et al. .... 241/100
2009/0057455	A1 *	3/2009	Abramson et al. .... 241/292.1
2009/0200407	A1 *	8/2009	Ko ..... 241/28

\* cited by examiner

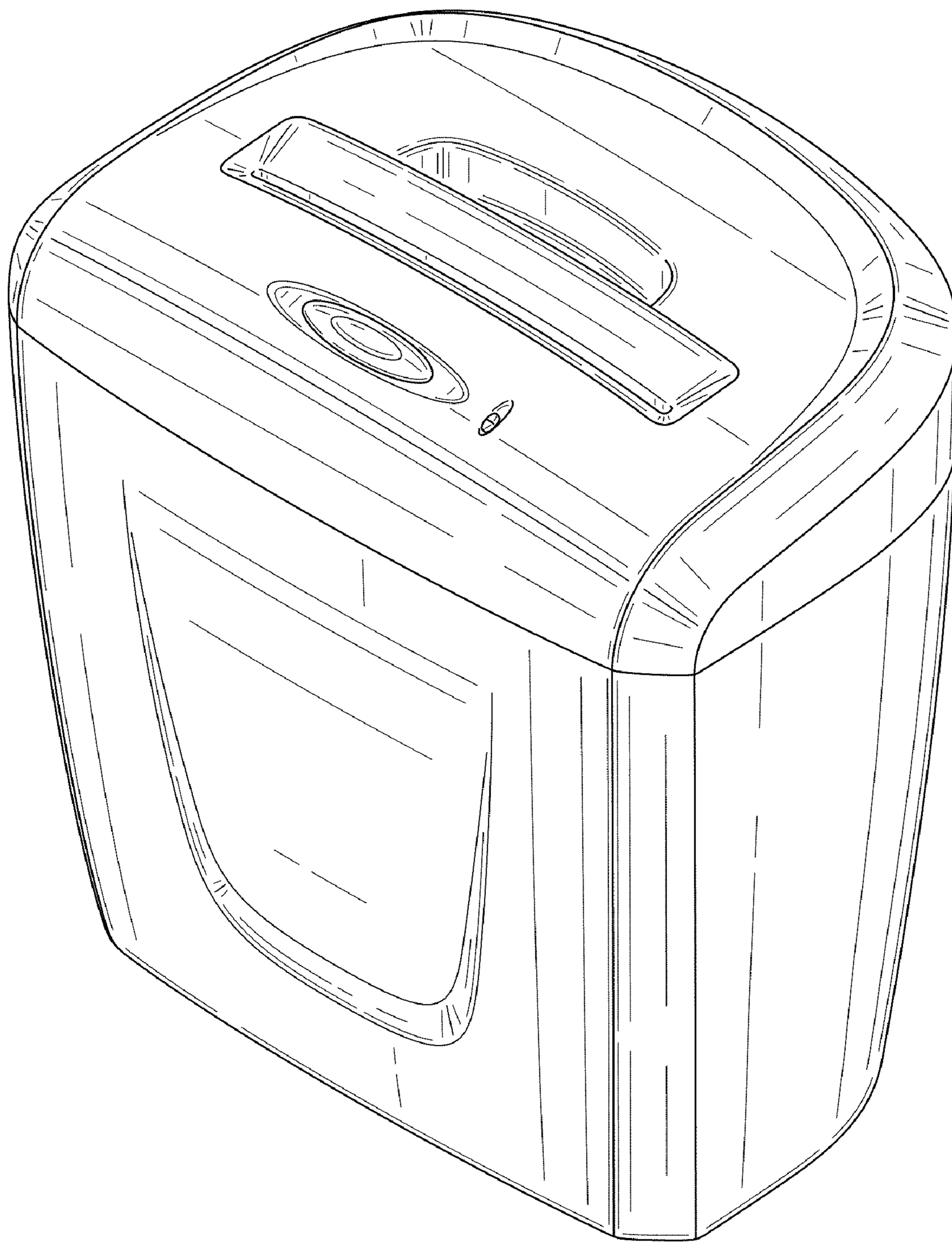


FIG. 1

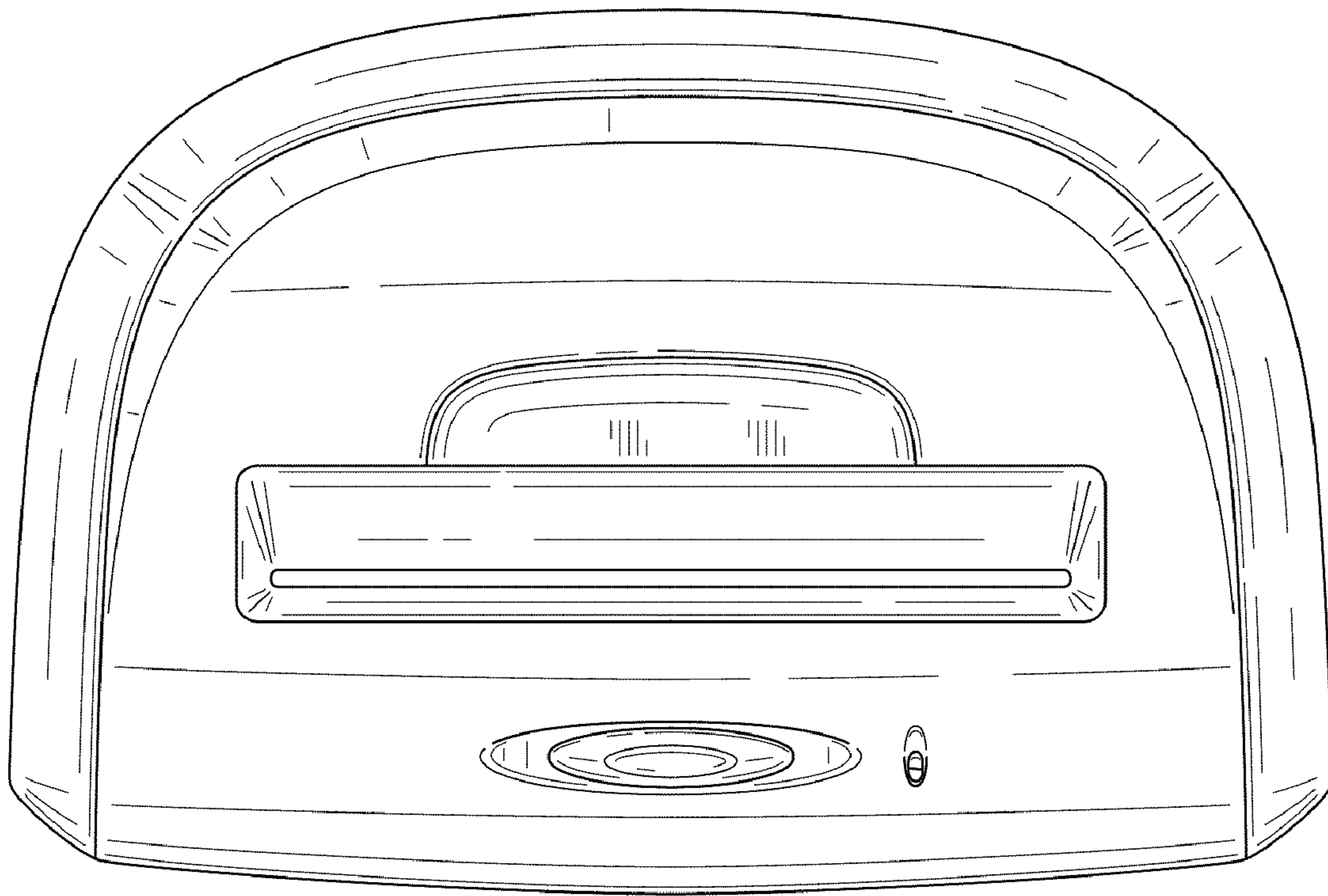


FIG. 2

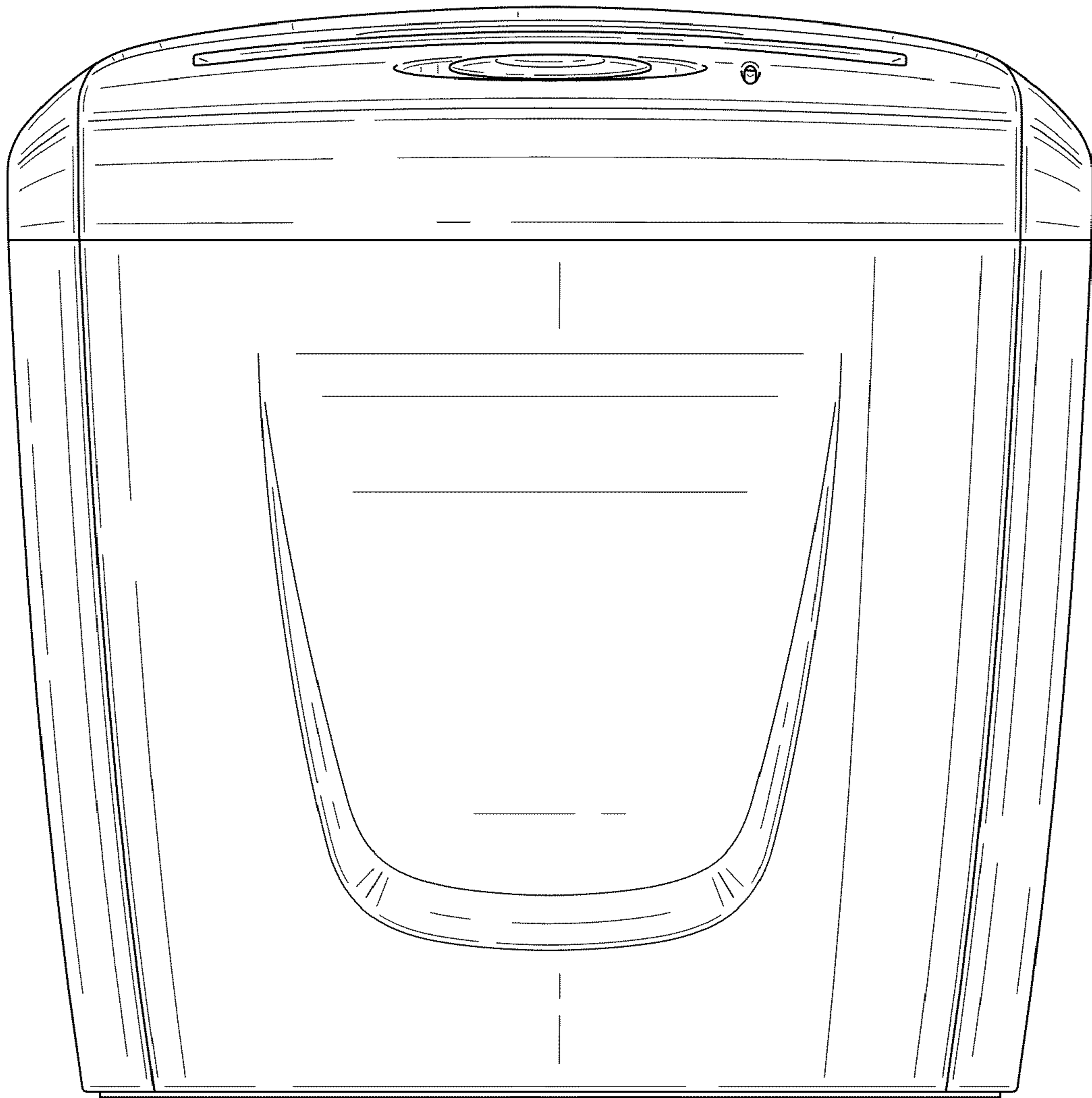


FIG. 3

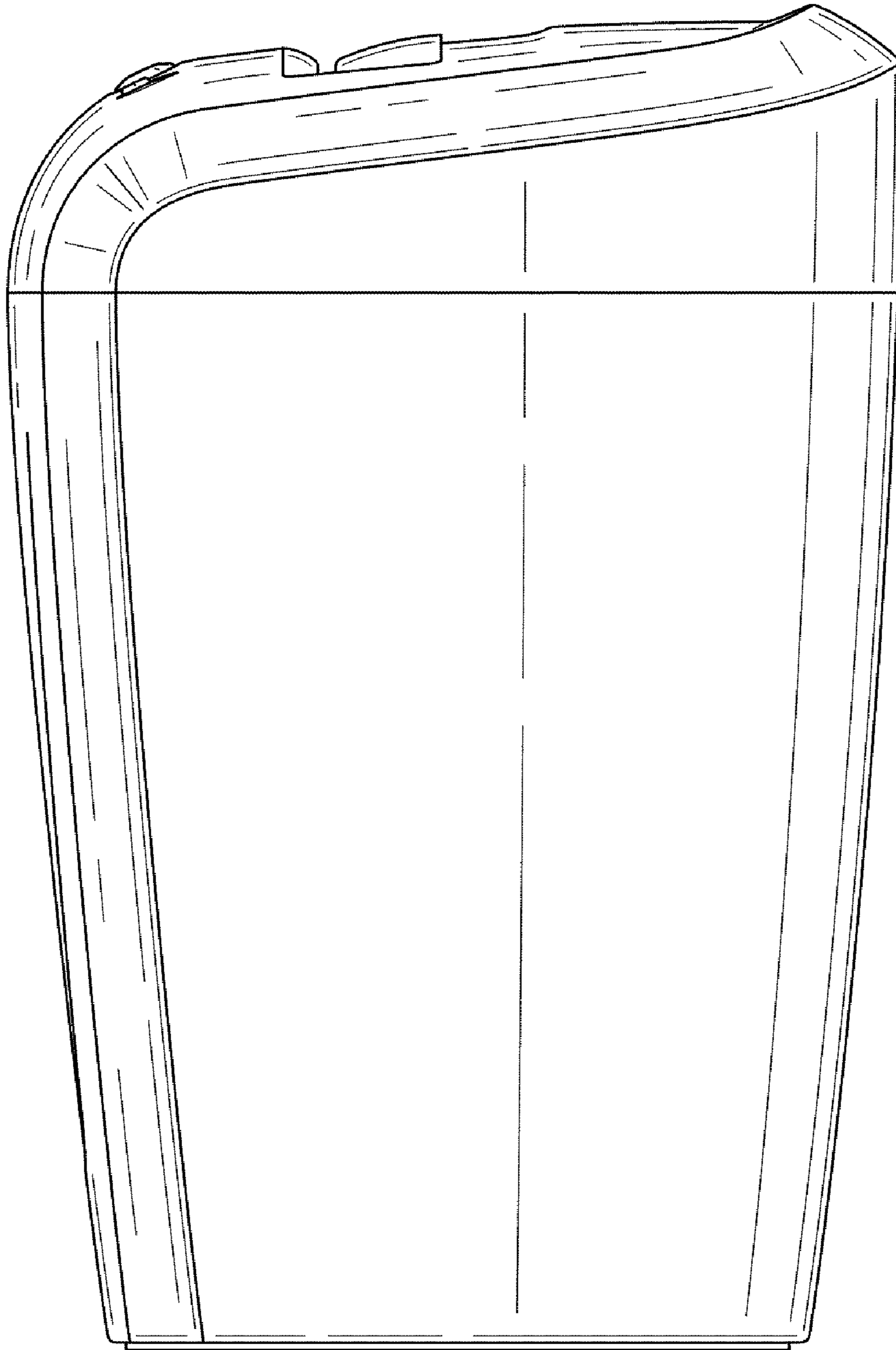


FIG. 4

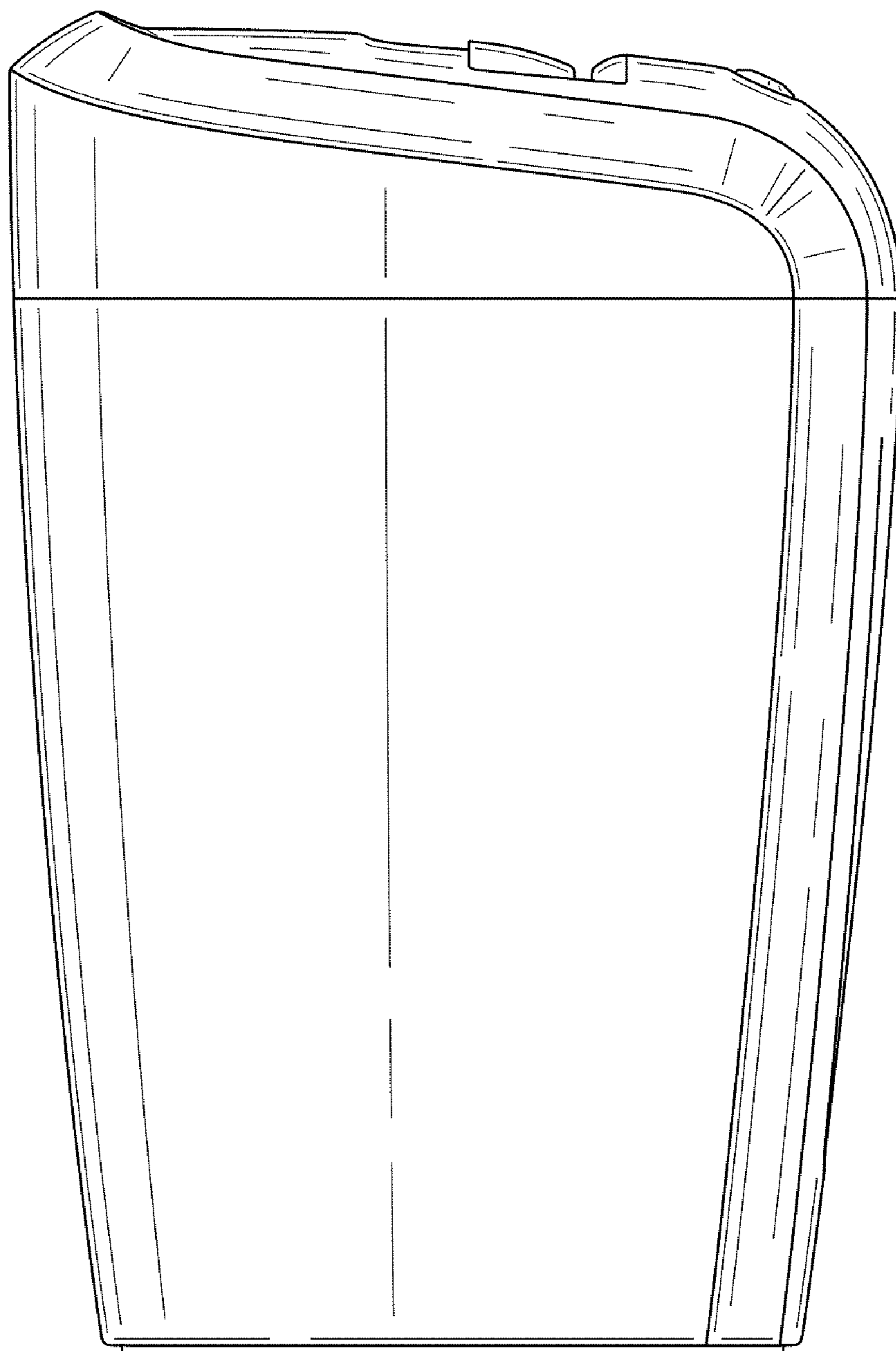


FIG. 5

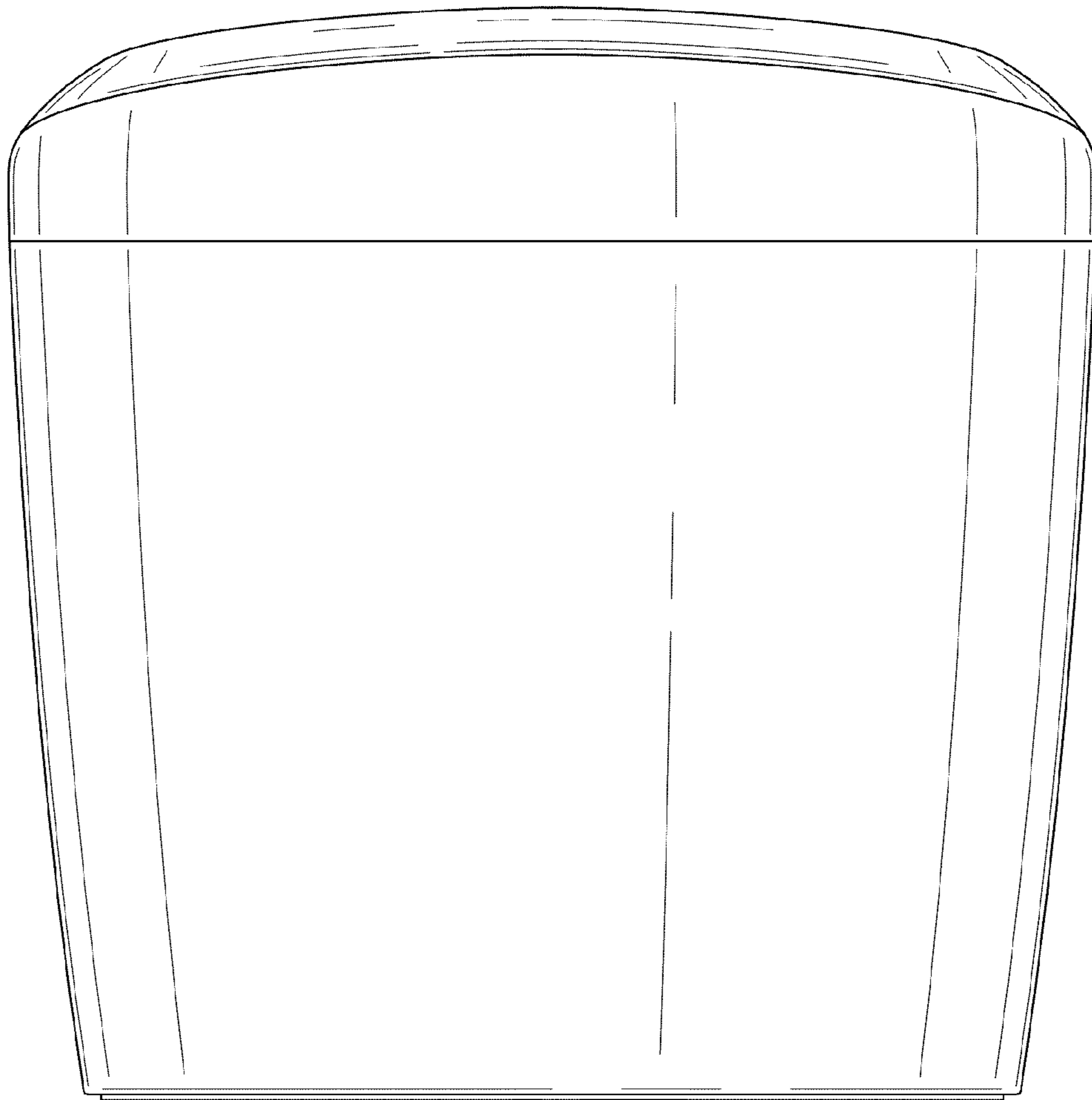


FIG. 6



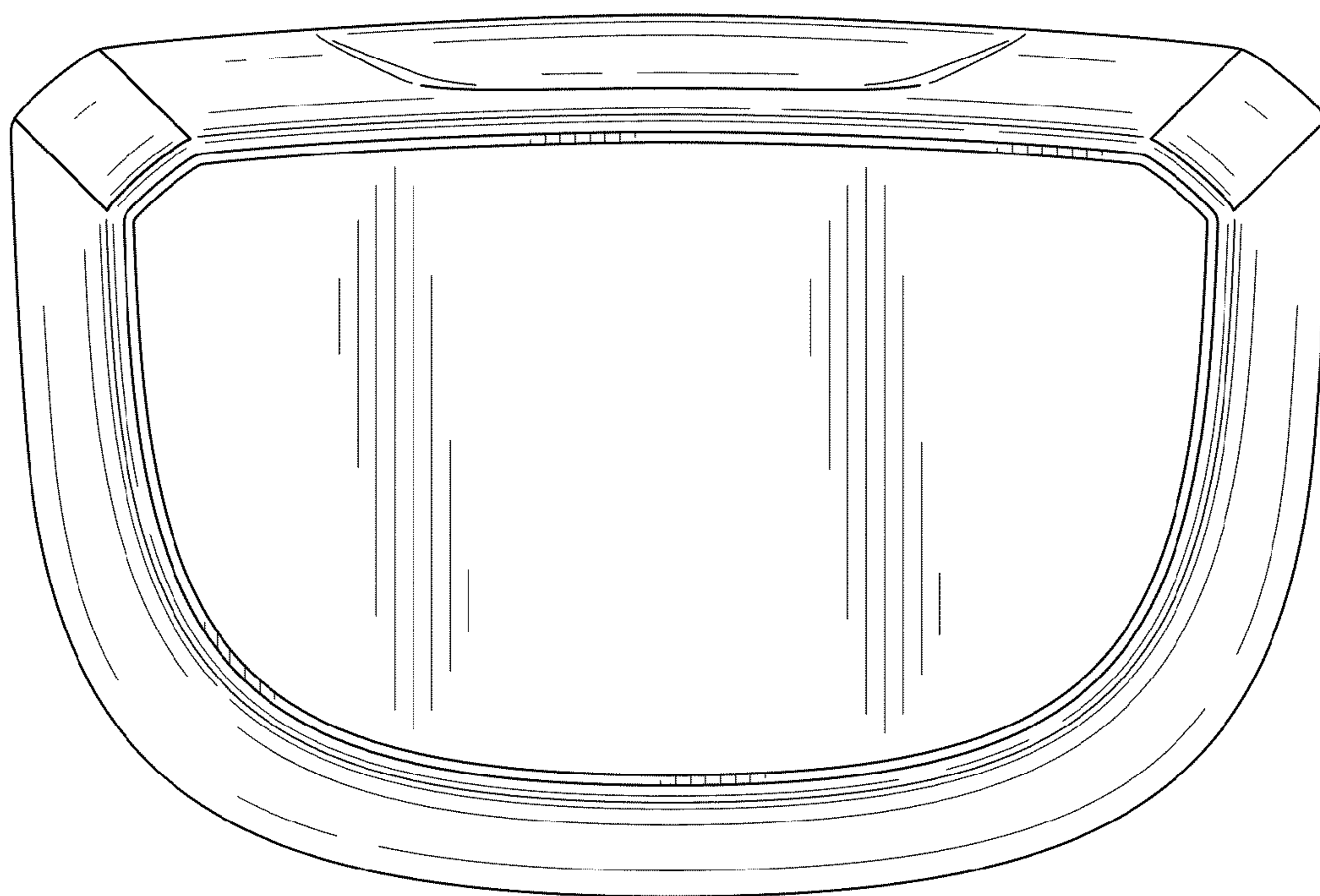


FIG. 7

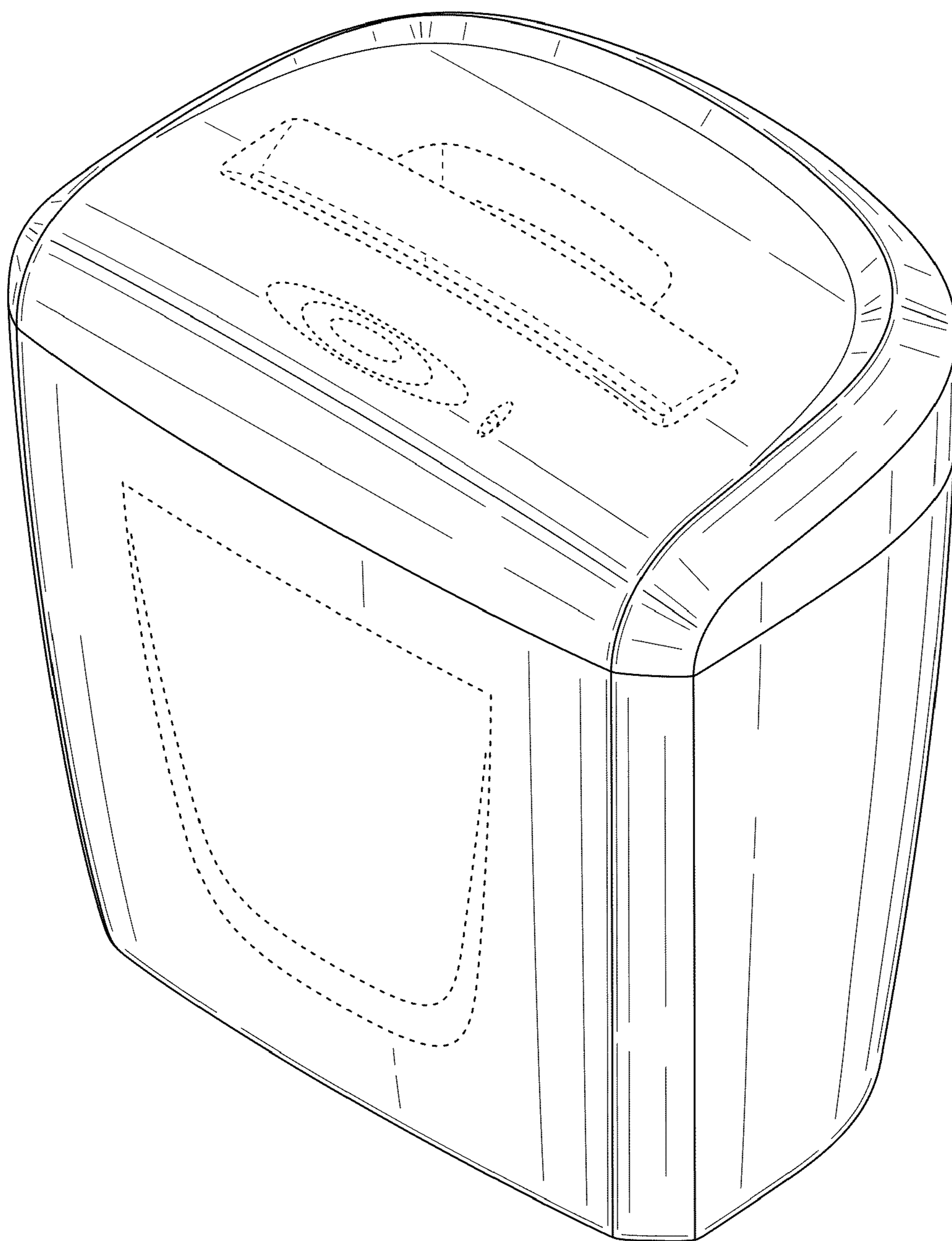


FIG. 8

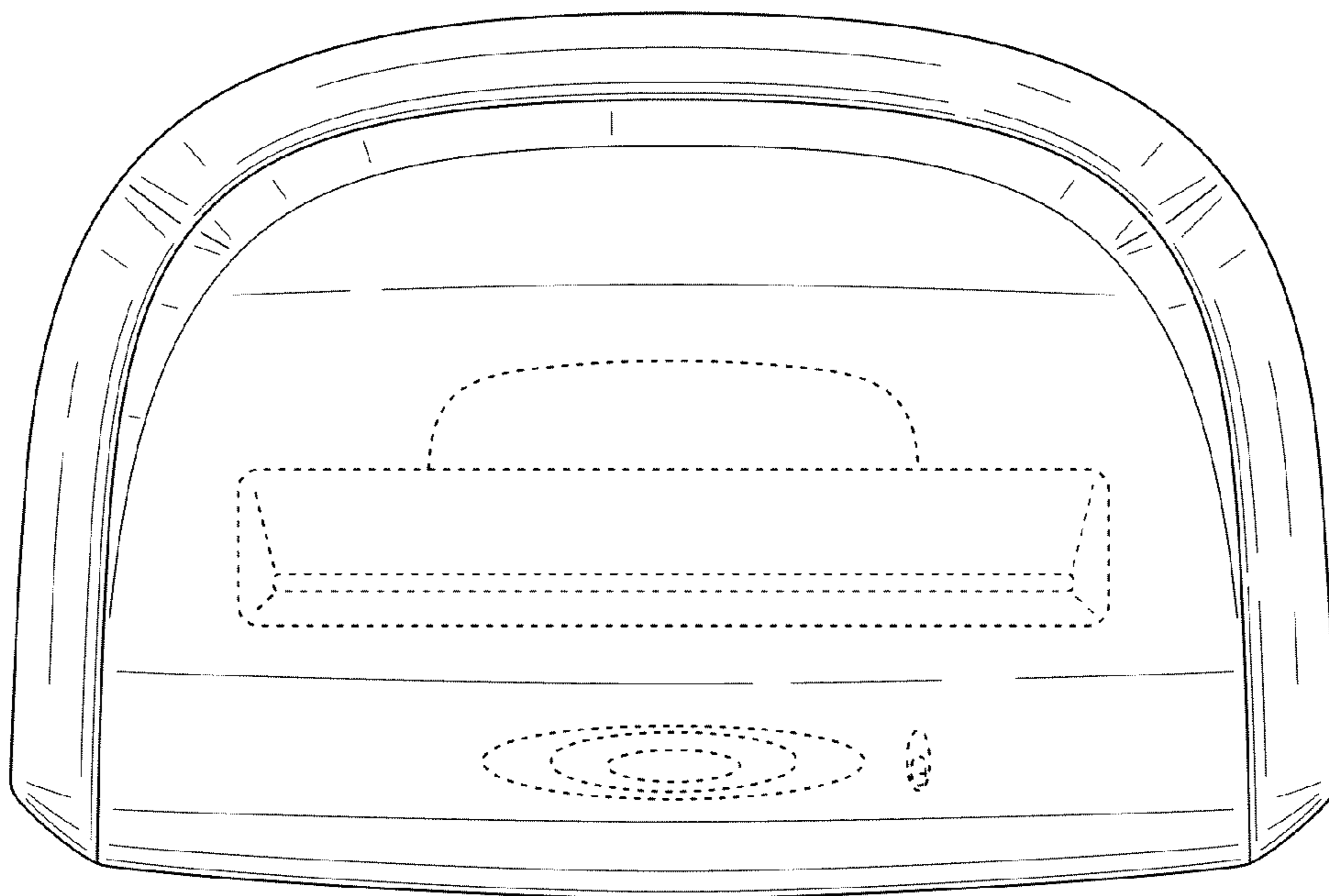


FIG. 9

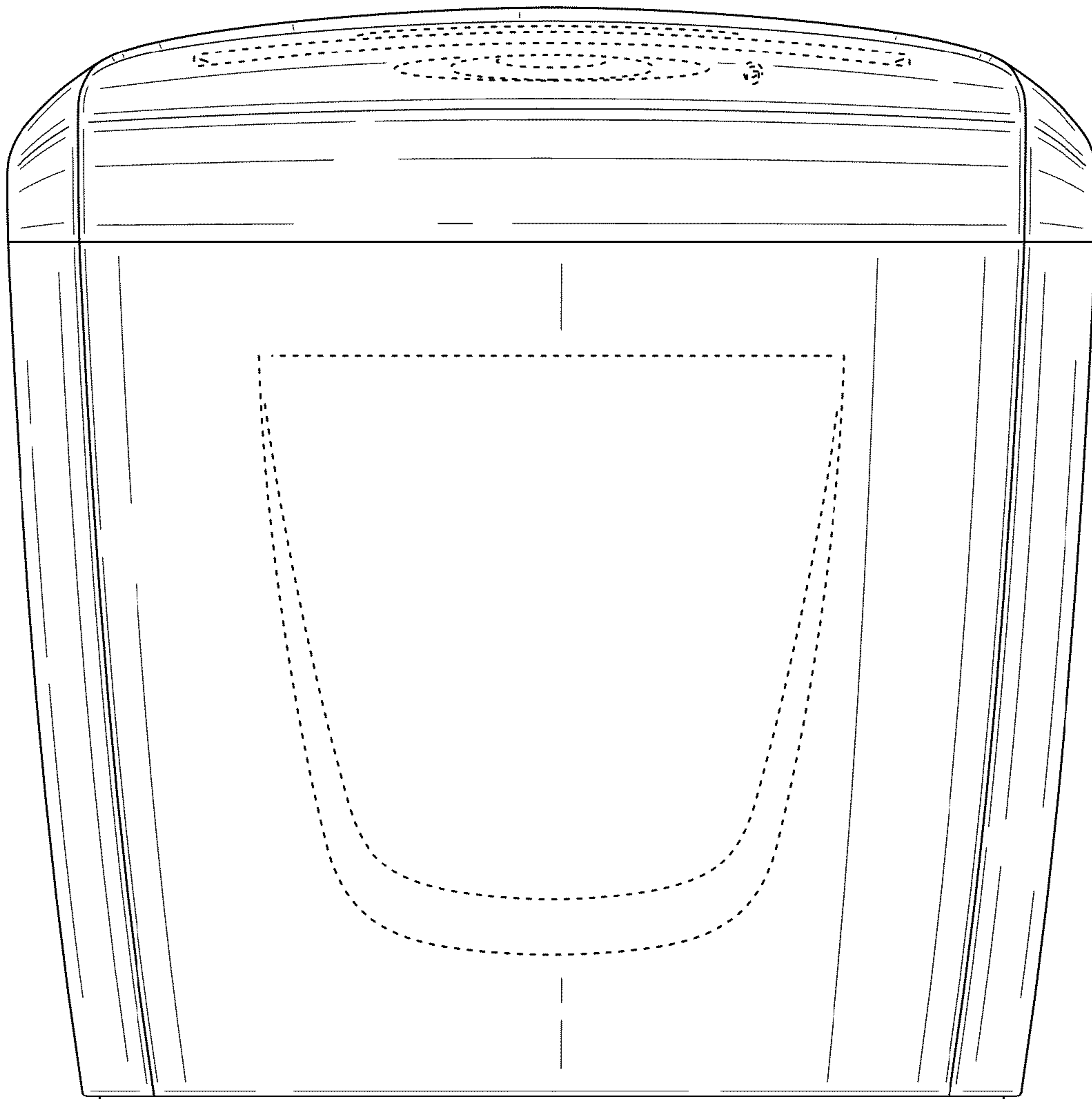


FIG. 10

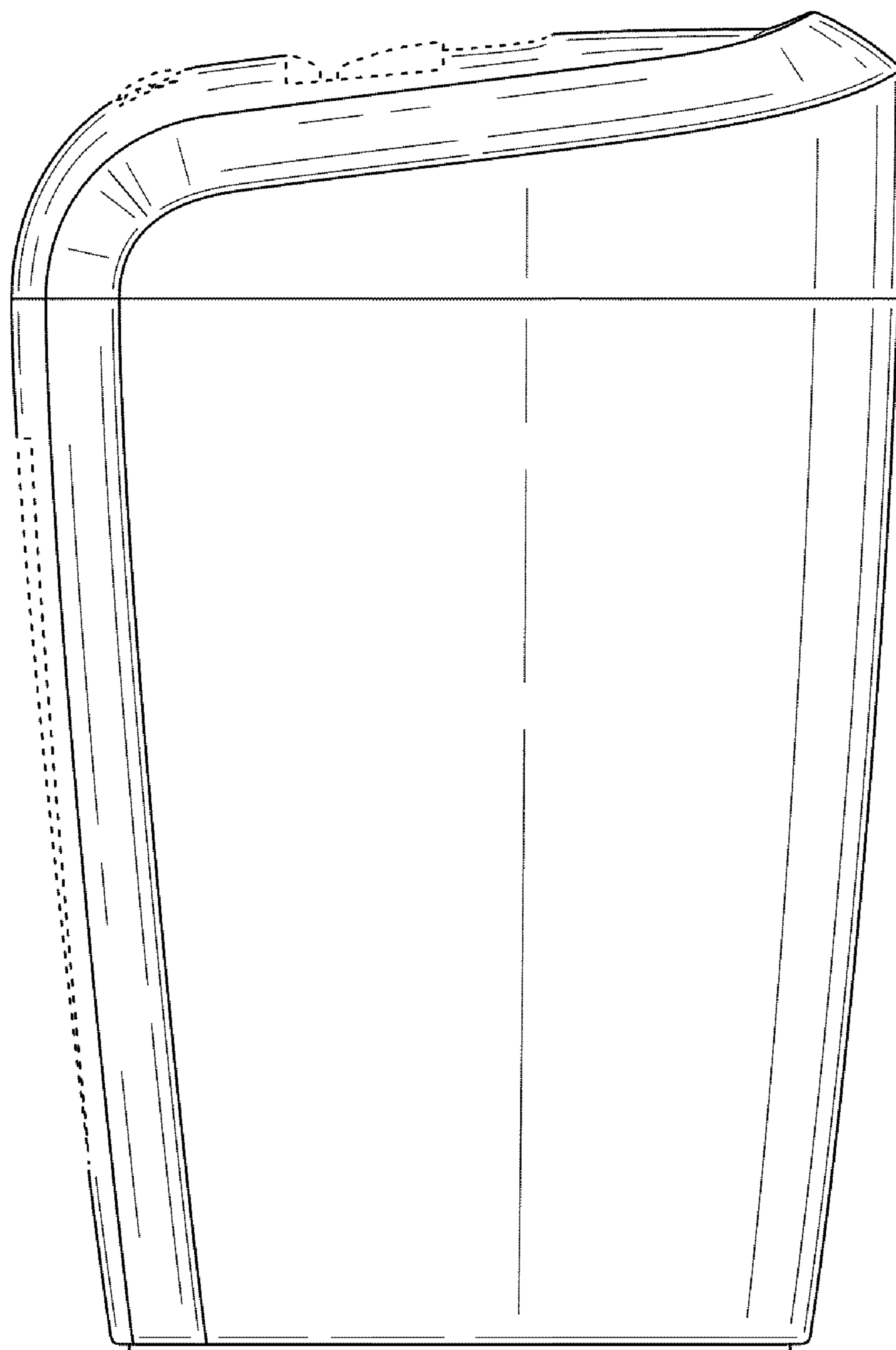


FIG. 11

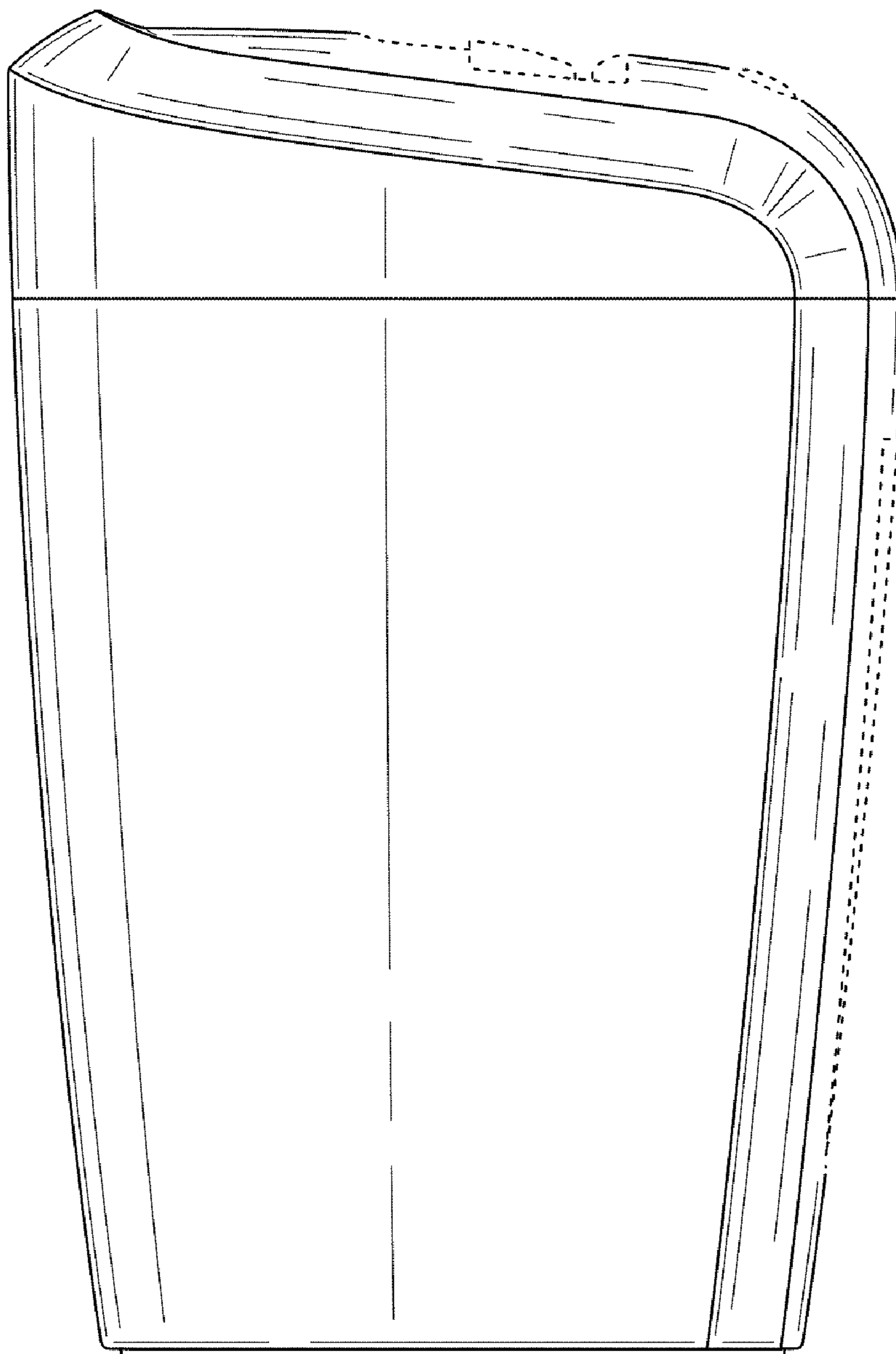


FIG. 12

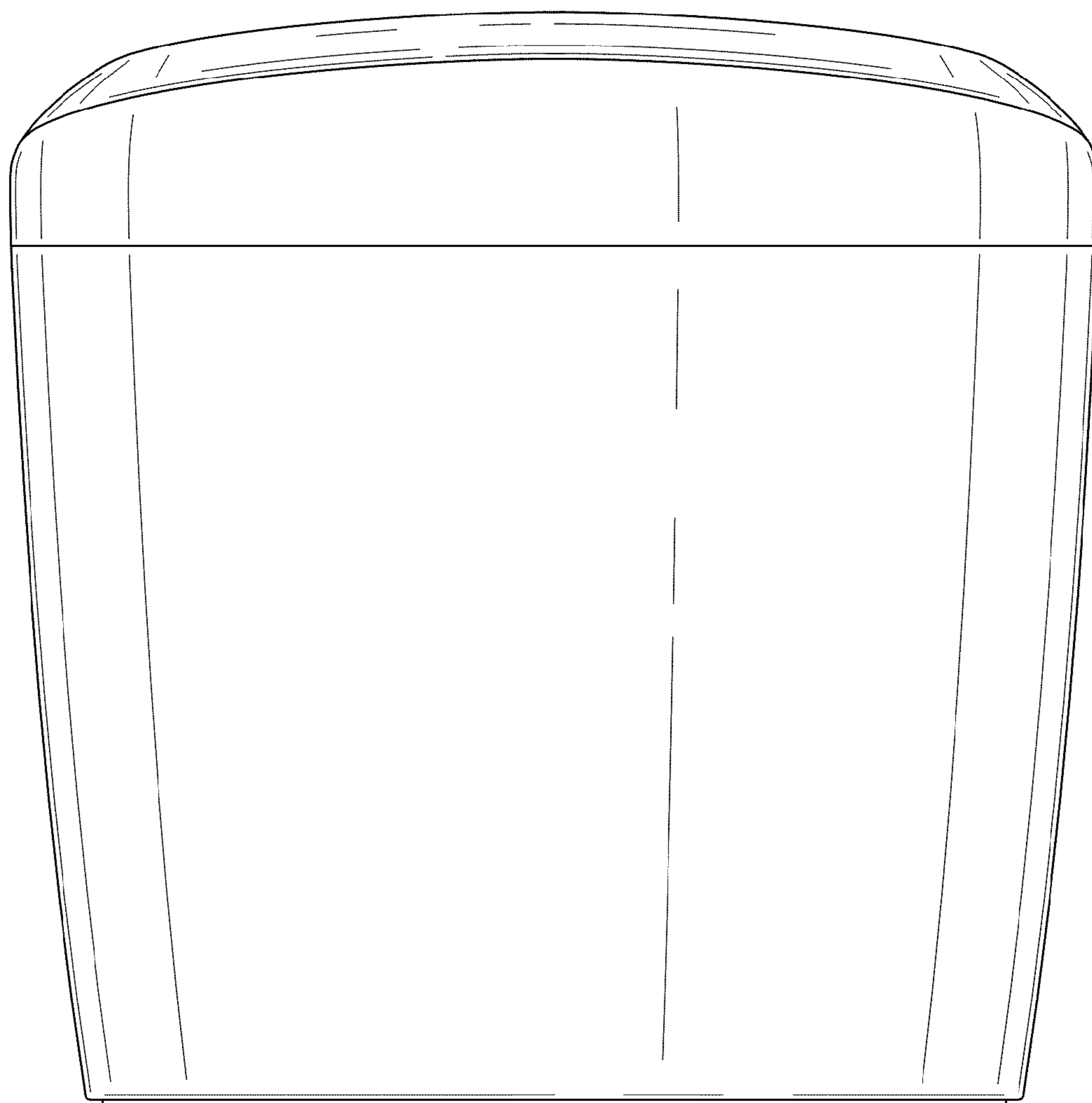


FIG. 13

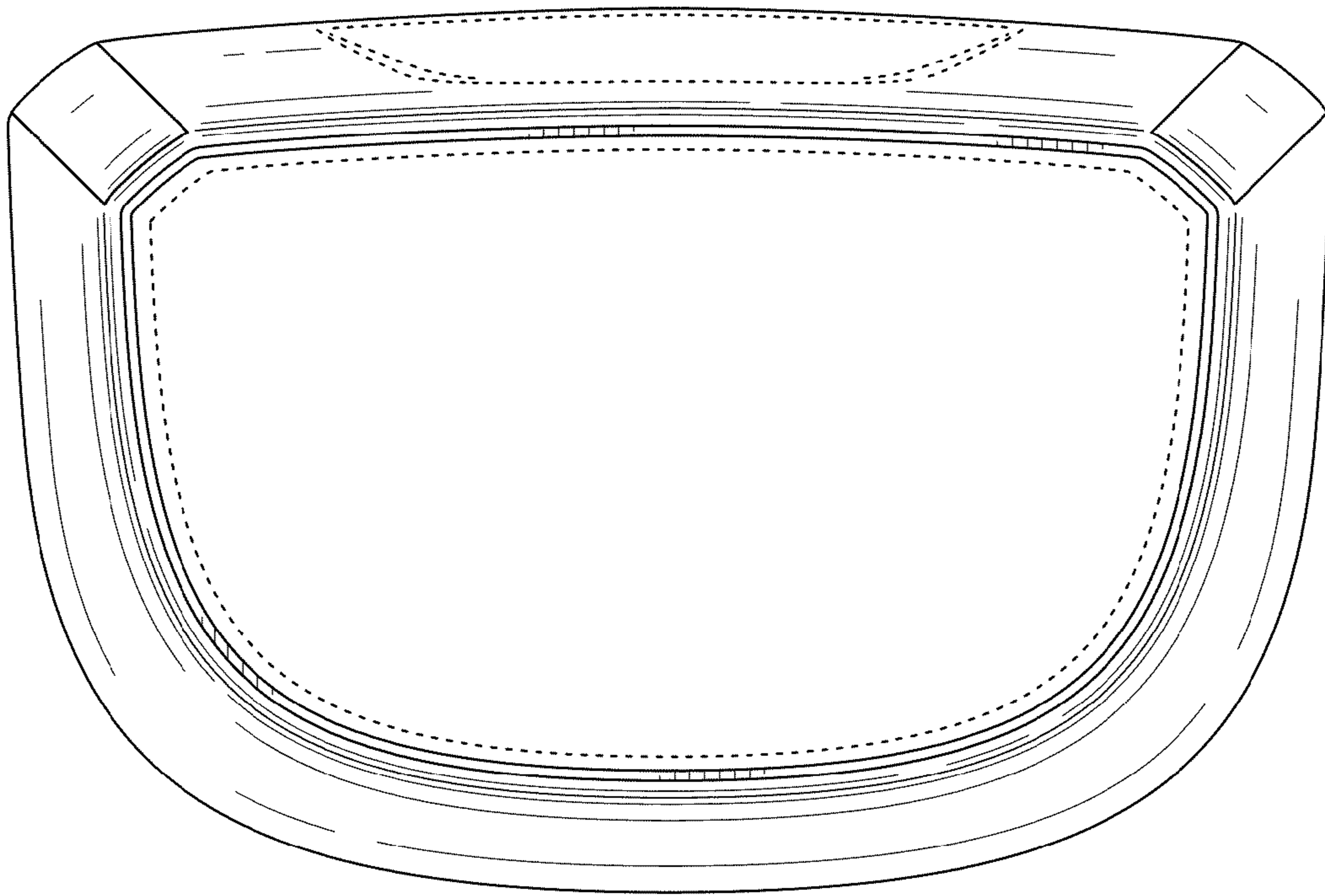


FIG. 14