



US00D643458S

(12) **United States Design Patent**
Garrappa

(10) **Patent No.:** **US D643,458 S**

(45) **Date of Patent:** **** Aug. 16, 2011**

(54) **DIVE MASK HAVING MULTI-COLOR FRAME**

(76) **Inventor:** **Dean R. Garrappa**, Huntington Beach, CA (US)

(**) **Term:** **14 Years**

(21) **Appl. No.:** **29/372,583**

(22) **Filed:** **Dec. 10, 2010**

(51) **LOC (9) Cl.** **16-06**

(52) **U.S. Cl.** **D16/312**

(58) **Field of Classification Search** D16/101,
D16/300-342; D29/109-110; D24/110.2;
351/41, 44, 51-52, 62, 158, 92, 103-123,
351/140, 153, 45-46; 2/426-432, 447-449,
2/441, 434-437, 13, 15; D21/483, 659-661,
D21/598

See application file for complete search history.

(56) **References Cited**

U.S. PATENT DOCUMENTS

D371,566 S *	7/1996	Kolada et al.	D16/311
D450,833 S *	11/2001	Olivieri	D24/110.2
D484,171 S *	12/2003	Urabe	D16/312
D522,562 S *	6/2006	Godoy	D16/311
D590,430 S *	4/2009	Shiue	D16/312

* cited by examiner

Primary Examiner — Raphael Barkai

(74) *Attorney, Agent, or Firm* — Leonard Tachner

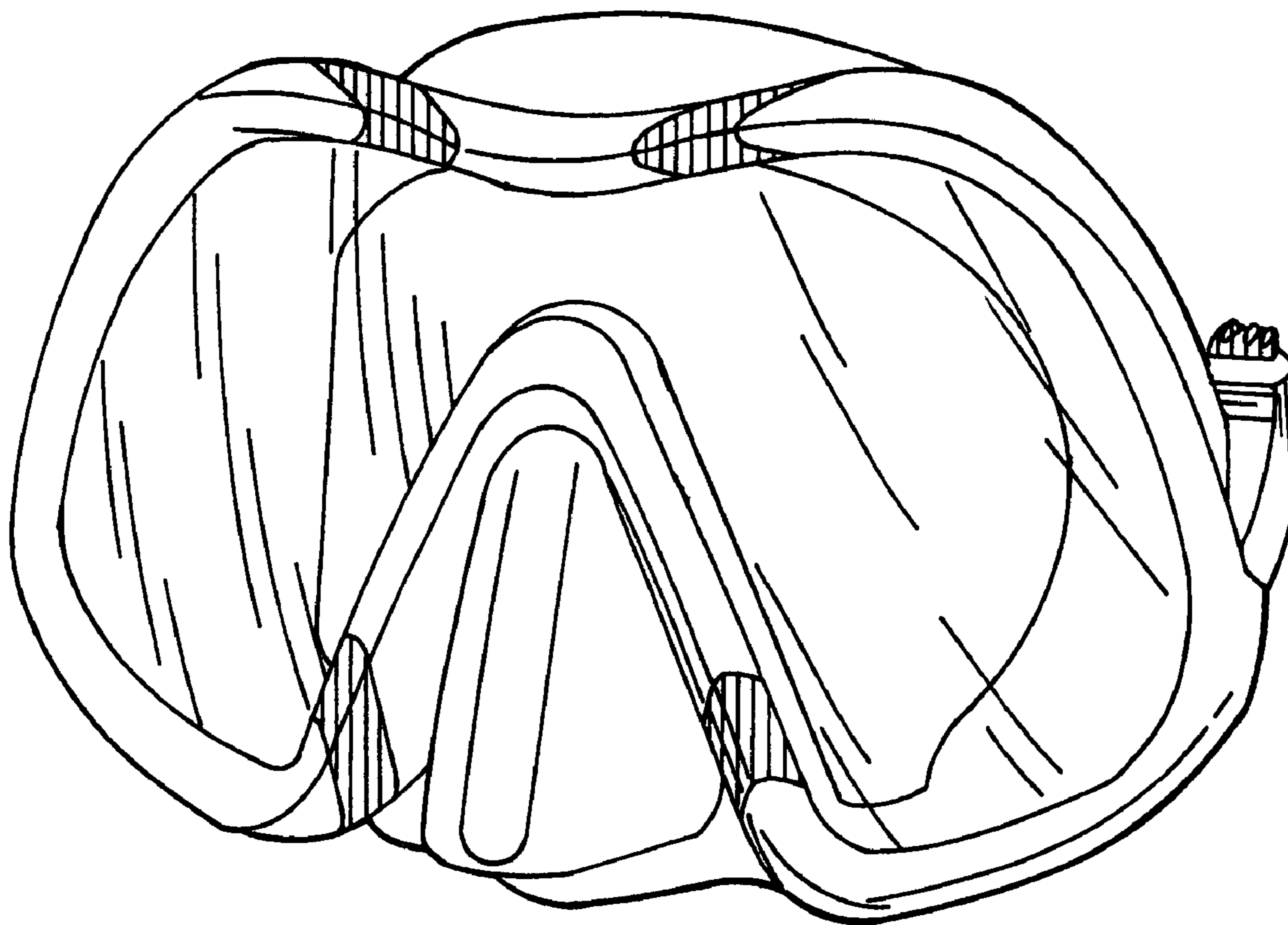
(57) **CLAIM**

The ornamental design for dive mask having multi-color frame, as shown and described.

DESCRIPTION

FIG. 1 is a front three-dimensional view of the present invention;
FIG. 2 is a plan front view of the present invention;
FIG. 3 is a top view of the present invention;
FIG. 4 is a bottom view of the present invention;
FIG. 5 is a left-side view of the present invention; and,
FIG. 6 is a right-side view of the present invention.

1 Claim, 5 Drawing Sheets



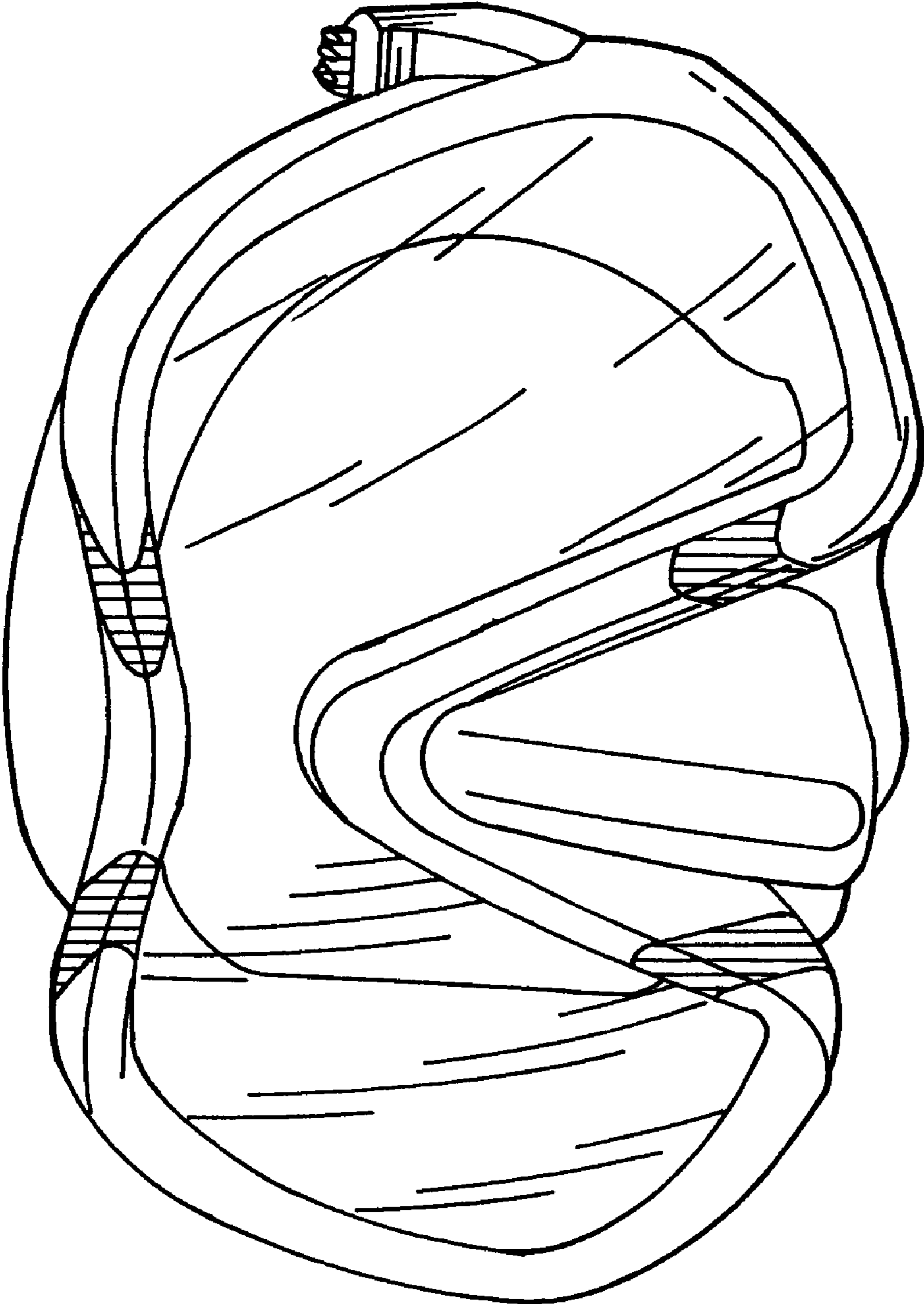


FIG. 1

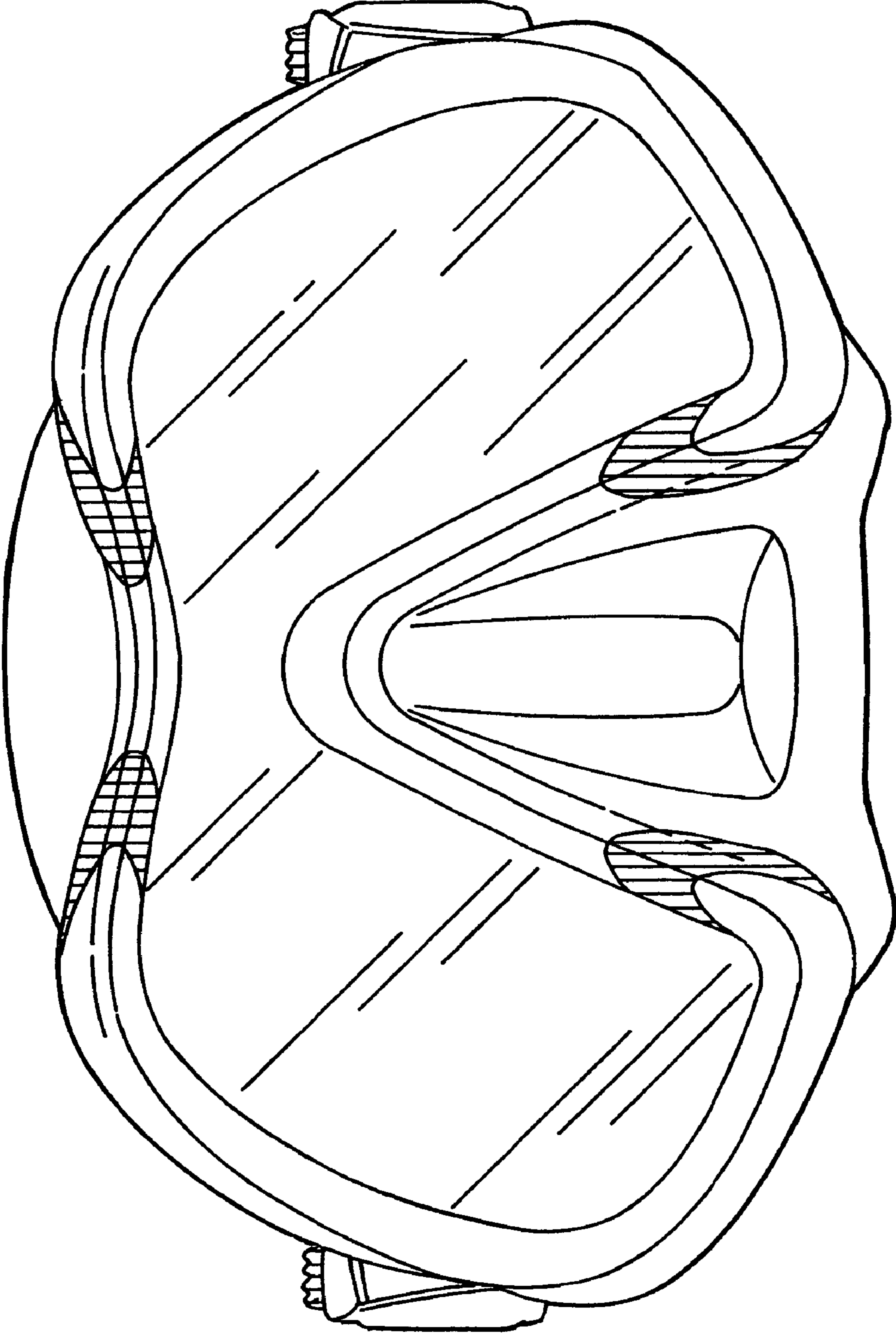


FIG. 2

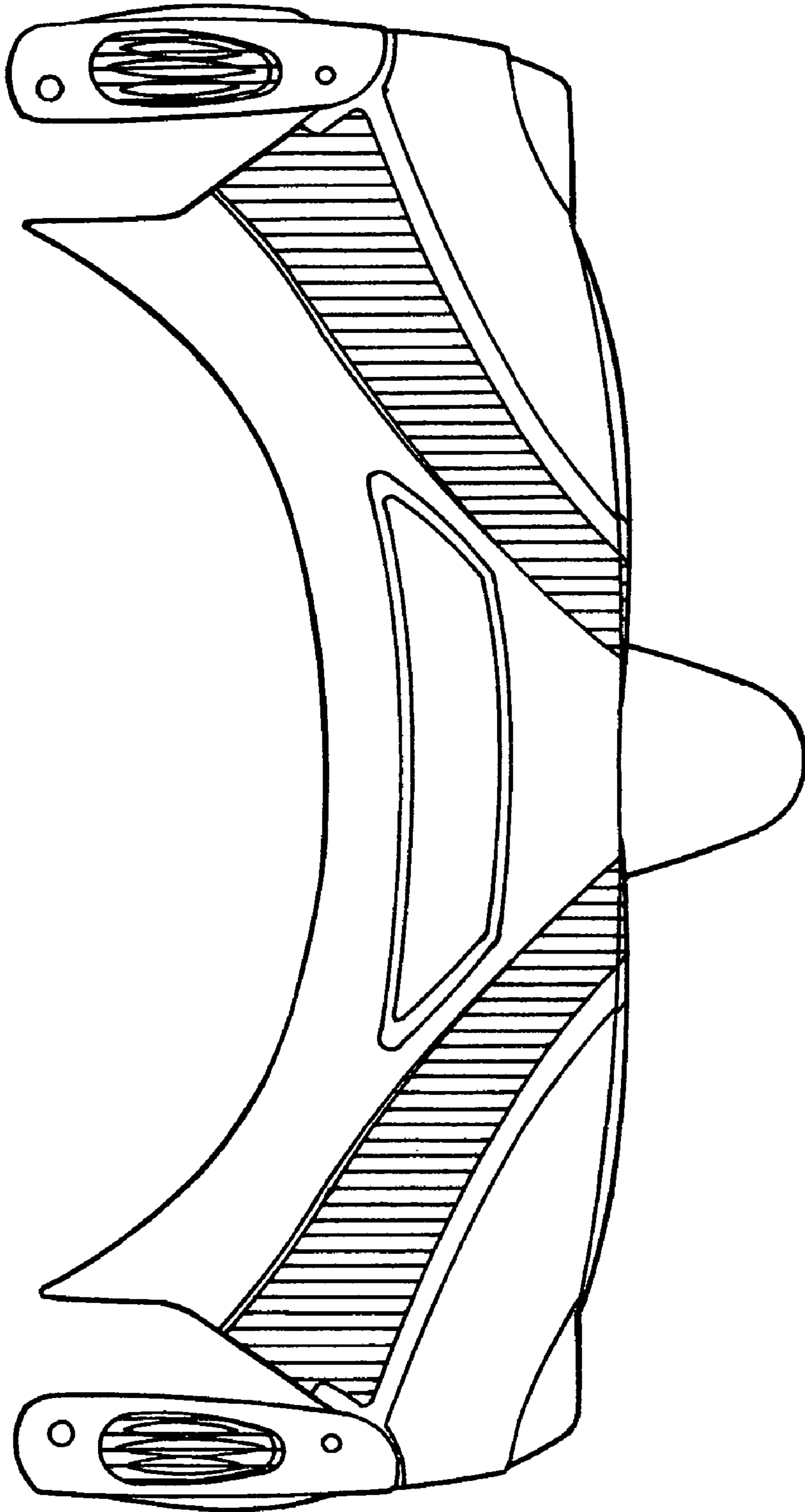


FIG. 3

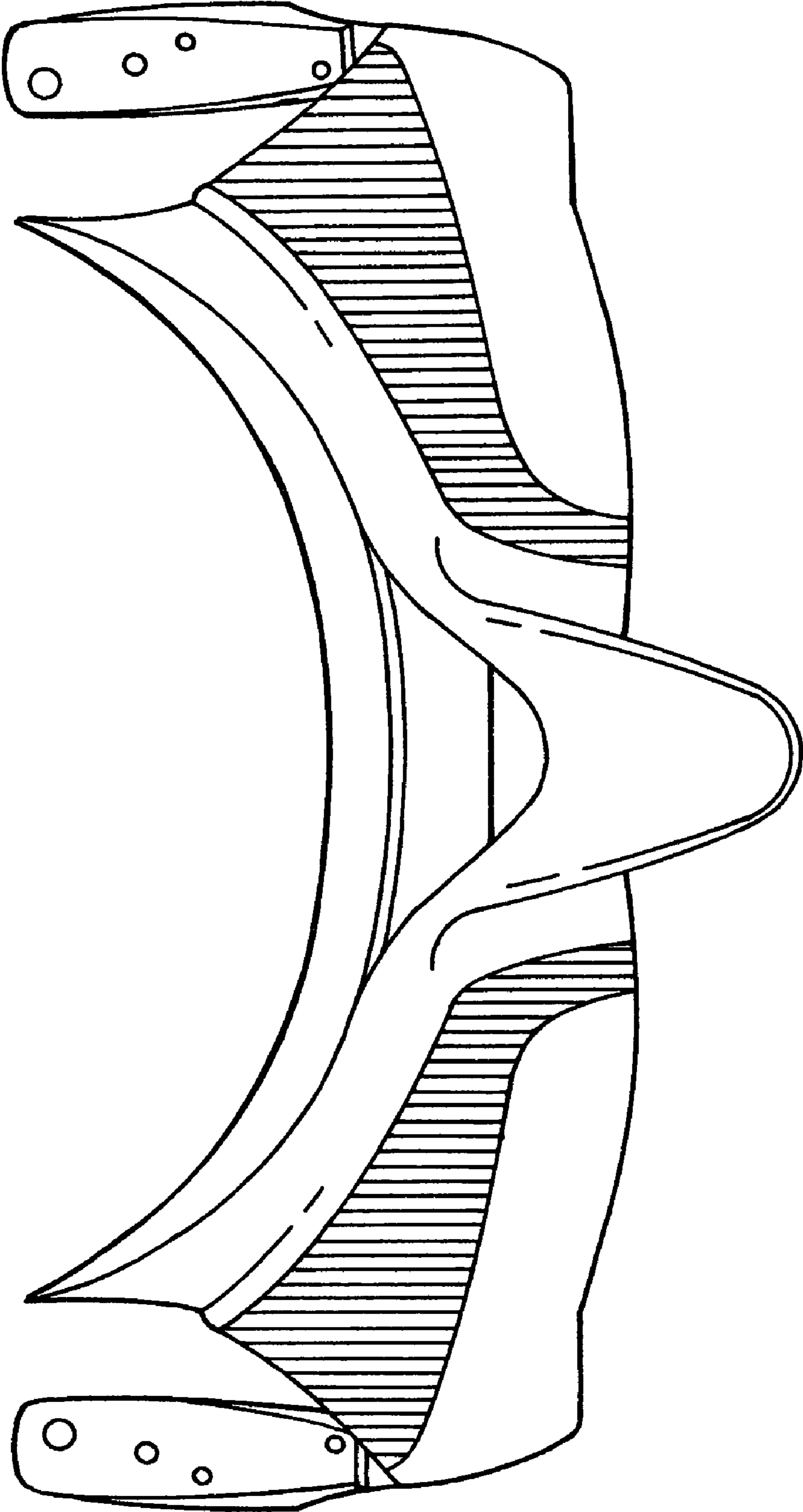


FIG. 4

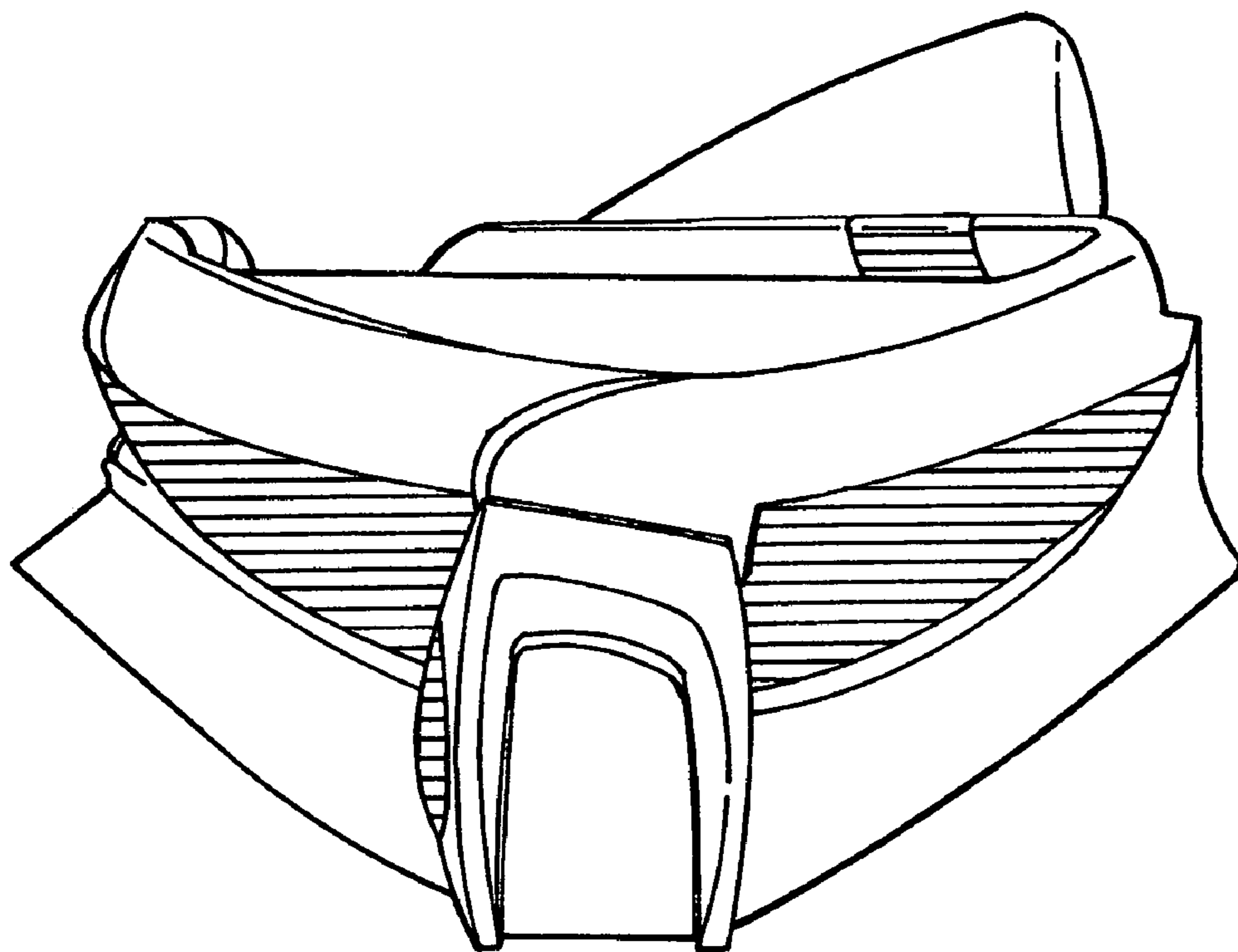


FIG. 6

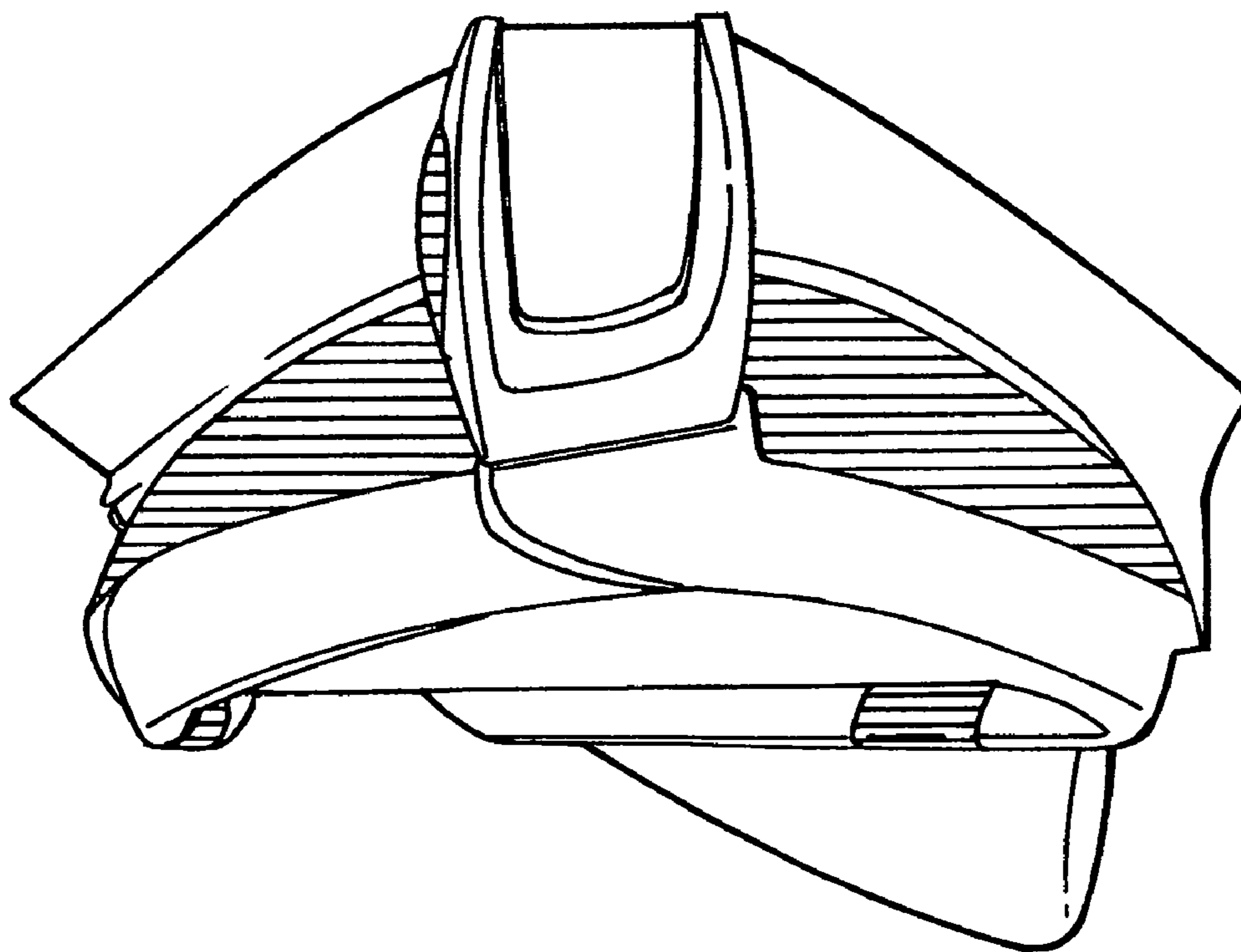


FIG. 5