

US00D643457S

(12) **United States Design Patent**  
**DeLong**

(10) **Patent No.:** **US D643,457 S**

(45) **Date of Patent:** **\*\* Aug. 16, 2011**

(54) **COMPUTER WEBCAM PRIVACY COVER**

(76) Inventor: **James DeLong**, Roanoke, VA (US)

(\*\*) Term: **14 Years**

(21) Appl. No.: **29/364,220**

(22) Filed: **Jun. 21, 2010**

(51) **LOC (9) Cl.** ..... **16-05**

(52) **U.S. Cl.** ..... **D16/237; 16/219**

(58) **Field of Classification Search** ..... D3/263,  
D3/267; D16/208, 219, 237, 250; 206/316.1,  
206/316.2; 348/373, 375

See application file for complete search history.

(56) **References Cited**

U.S. PATENT DOCUMENTS

D151,059 S *	9/1948	Main	.....	D3/267
D257,644 S *	12/1980	Gecchelin	.....	D26/118
D458,024 S *	6/2002	Tyler	.....	D3/263
D471,709 S *	3/2003	Coyne	.....	D3/263

D554,172 S *	10/2007	Yoneji	.....	D16/219
D620,996 S *	8/2010	DiGiuseppe et al.	.....	D22/108
2006/0109613 A1 *	5/2006	Chen	.....	361/679

\* cited by examiner

*Primary Examiner* — Adir Aronovich

(74) *Attorney, Agent, or Firm* — Dority & Manning, P.A.

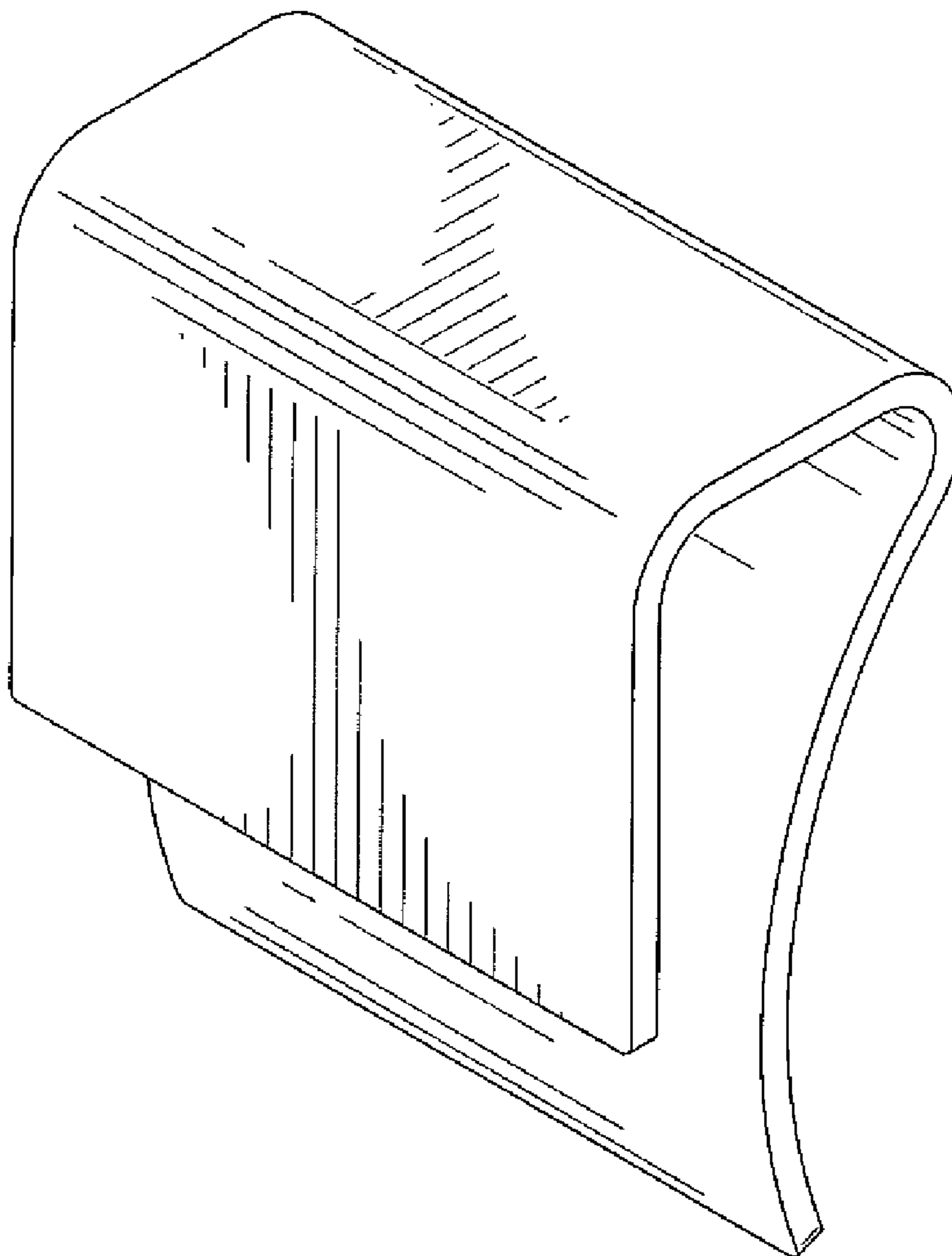
(57) **CLAIM**

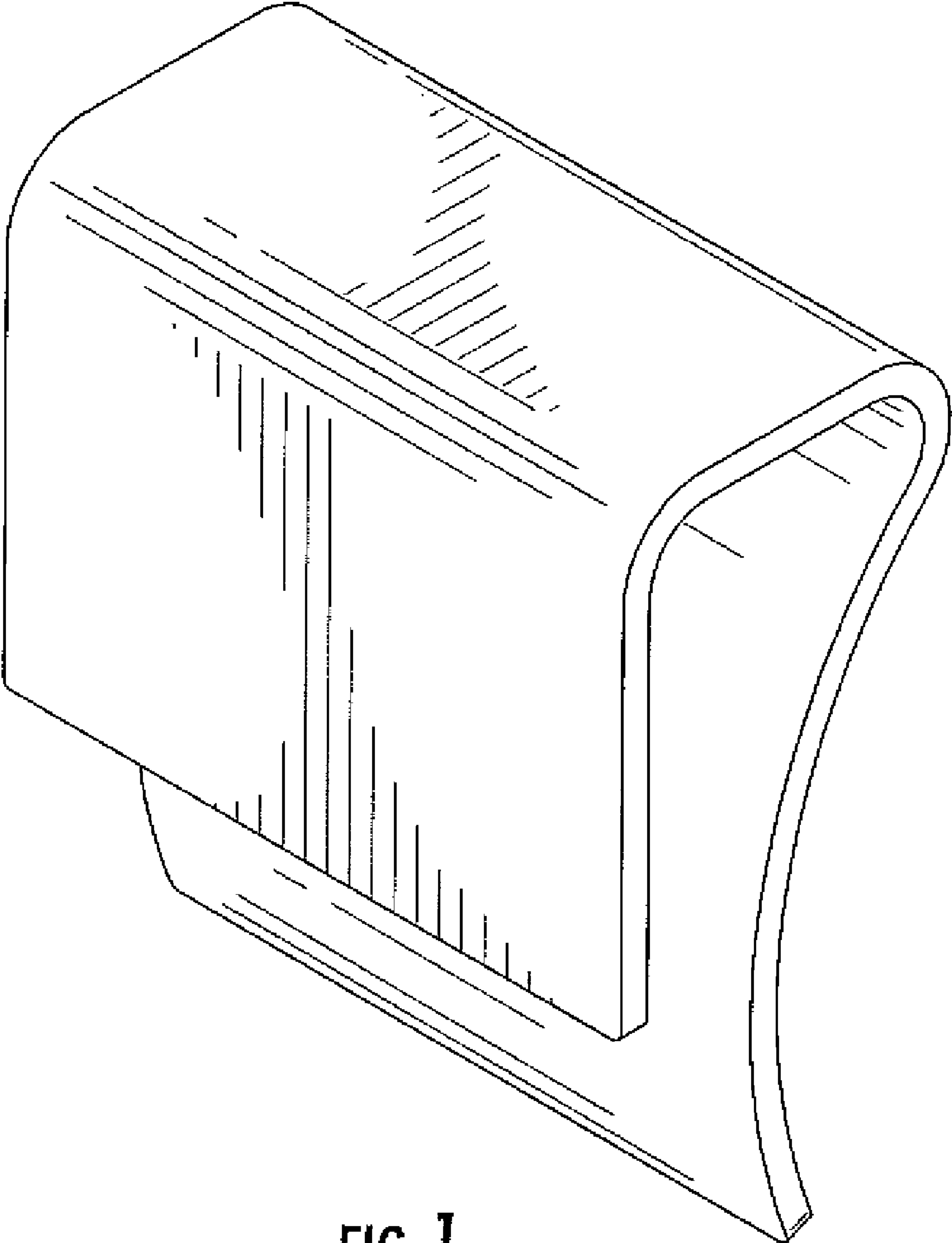
The ornamental design for a computer webcam privacy cover, as shown and described.

**DESCRIPTION**

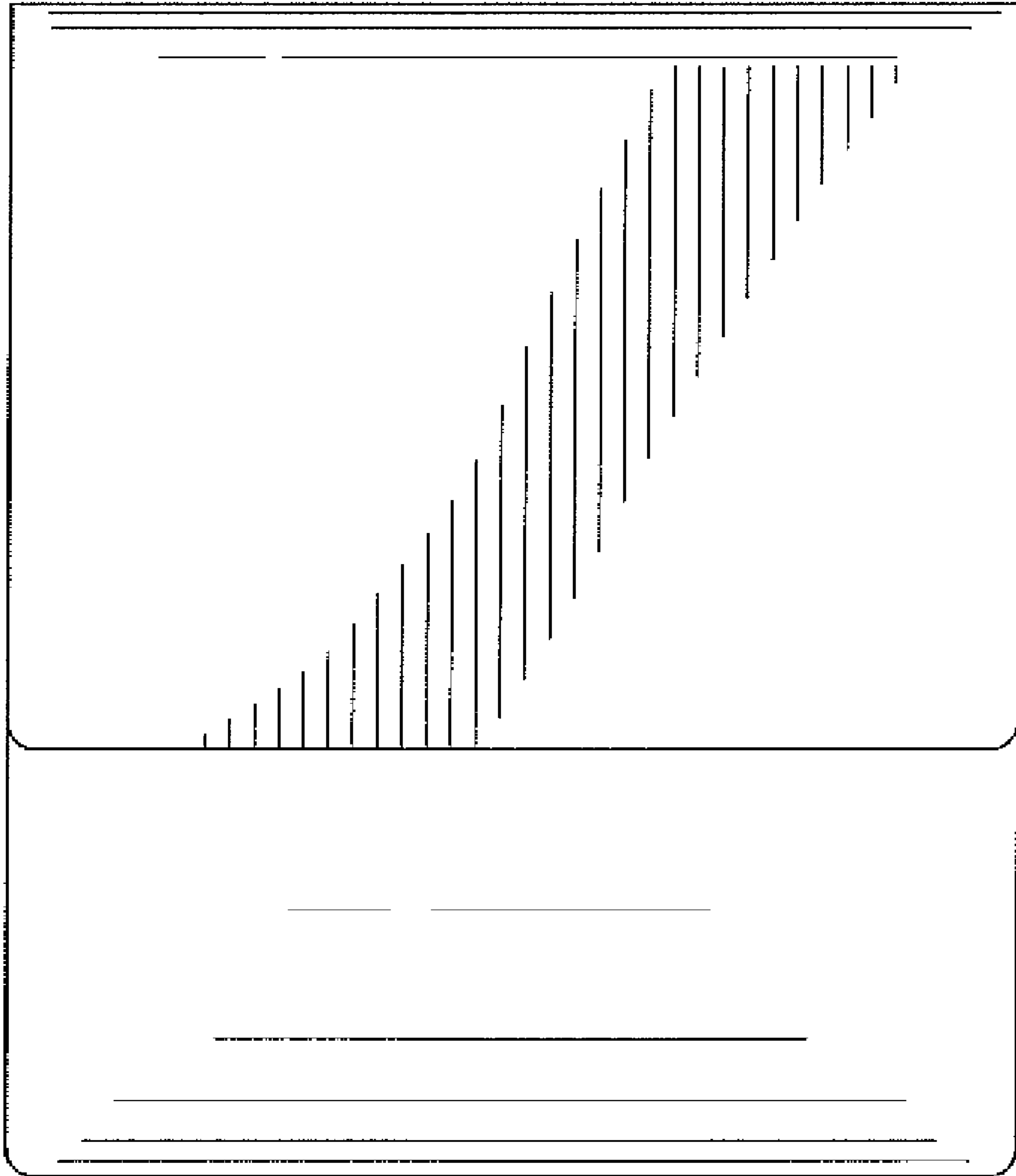
FIG. 1 is a front and right side perspective view of a computer webcam privacy cover according to the present invention; FIG. 2 is a front elevational view of the computer webcam privacy cover illustrated in FIG. 1; FIG. 3 is a top plan view of the computer webcam privacy cover illustrated in FIG. 1; and, FIG. 4 is right side elevational view of the computer webcam privacy cover illustrated in FIG. 1.

**1 Claim, 4 Drawing Sheets**

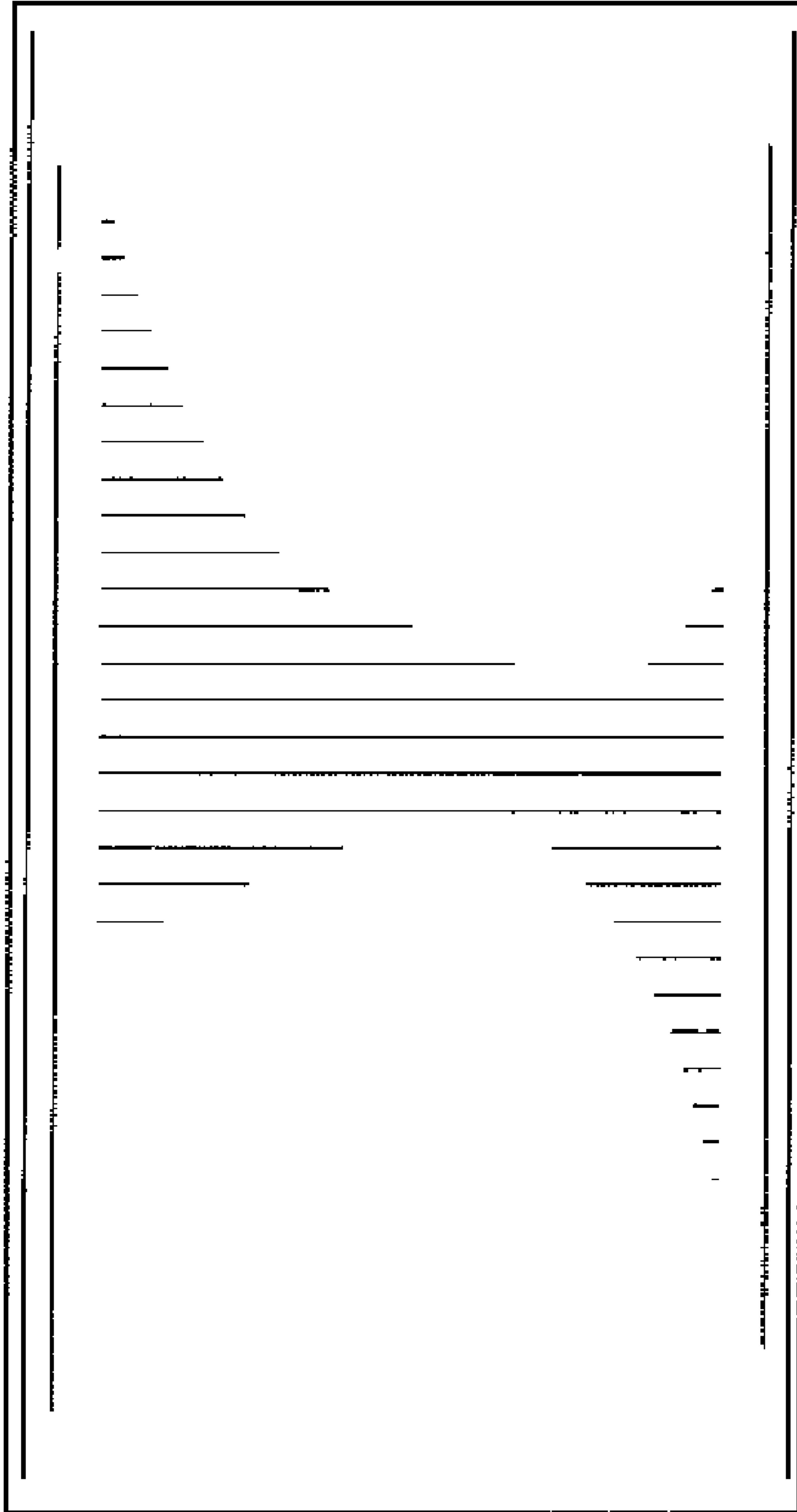




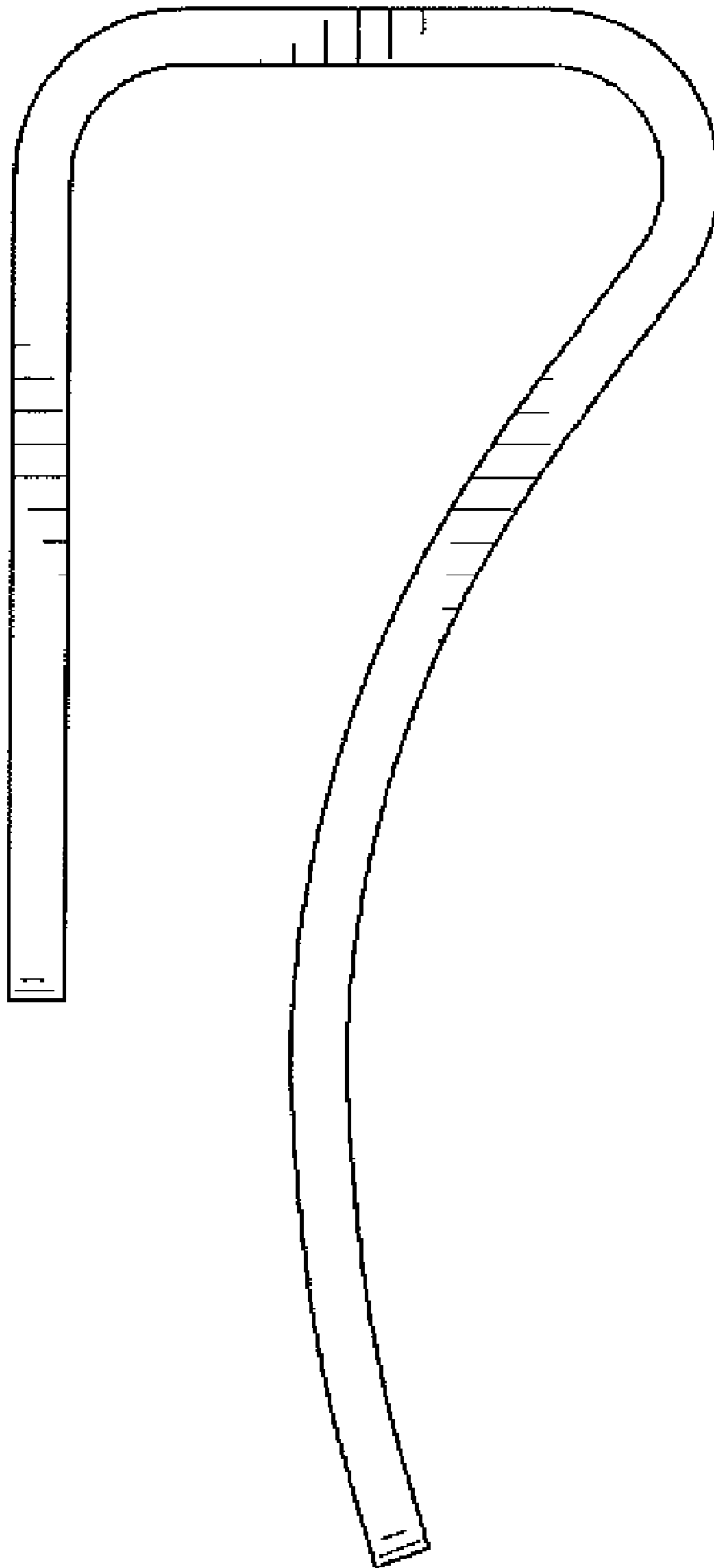
**FIG. 1**



**FIG. 2**



**FIG. 3**



**FIG. 4**