



US00D643456S

(12) **United States Design Patent**
Won et al.

(10) **Patent No.:** **US D643,456 S**

(45) **Date of Patent:** **** Aug. 16, 2011**

(54) **CAMERA FOR TV RECEIVER**

(75) Inventors: **Tae-Yeon Won**, Seoul (KR); **Su-An Choi**, Seoul (KR)

(73) Assignee: **Samsung Electronics Co., Ltd.**, Suwon, Kyunggi-Do (KR)

(**) Term: **14 Years**

(21) Appl. No.: **29/372,550**

(22) Filed: **Dec. 7, 2010**

(51) **LOC (9) Cl.** **16-01**

(52) **U.S. Cl.** **D16/218**

(58) **Field of Classification Search** D14/129,
D14/203.1; D16/200–204, 208, 218, 242;
348/14.04, 143, 373; 396/427, 535, 540,
396/541

See application file for complete search history.

D534,196 S 12/2006 Kim et al.
D535,676 S * 1/2007 Dayan D16/218
D547,347 S 7/2007 Kim
D550,743 S 9/2007 Bai
D551,275 S 9/2007 Kim
D552,646 S 10/2007 Bai
D552,647 S 10/2007 Bai
D553,657 S 10/2007 Bai
D556,229 S 11/2007 Bai
D561,218 S 2/2008 Kim
D561,799 S 2/2008 Bai
D576,649 S * 9/2008 Kim D16/202
D586,374 S 2/2009 Kim
D590,427 S 4/2009 Kim
D594,047 S 6/2009 Lee
D605,680 S * 12/2009 Okada D16/218
D620,966 S 8/2010 Chin et al.
D627,381 S 11/2010 Kwon
D628,220 S 11/2010 Lee
2006/0061655 A1 * 3/2006 Wang 348/143

* cited by examiner

Primary Examiner — Adir Aronovich
(74) *Attorney, Agent, or Firm* — Flynn, Thiel, Boutell & Tanis, P.C.

(56) **References Cited**

U.S. PATENT DOCUMENTS

D474,792 S 5/2003 Hyun
6,675,934 B1 * 1/2004 McCormick 396/427
D487,104 S * 2/2004 Obata D16/202
D506,215 S * 6/2005 Lin et al. D16/218
D521,023 S 5/2006 Kim et al.
D522,555 S 6/2006 Choi
D525,986 S 8/2006 Kim
D525,987 S 8/2006 Kim
D525,988 S 8/2006 Kim
D525,989 S 8/2006 Choe
D526,663 S 8/2006 Bang
D527,016 S 8/2006 Millora
D527,017 S 8/2006 Kim
D527,403 S 8/2006 Byun et al.
D527,405 S 8/2006 Kim et al.
D528,126 S 9/2006 Kim
D533,187 S * 12/2006 Lee D14/203.1

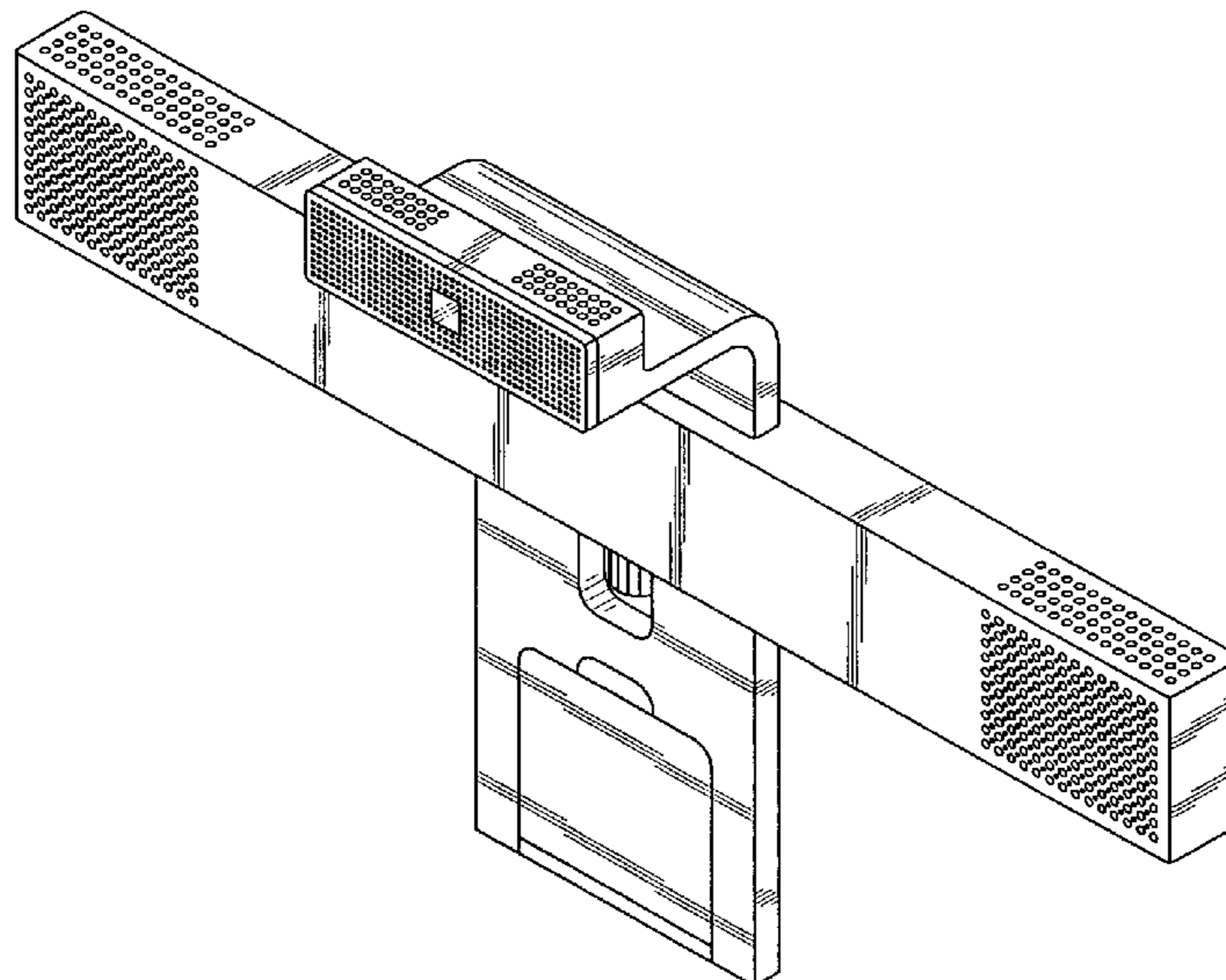
(57) **CLAIM**

The ornamental design for a camera for TV receiver, as shown and described.

DESCRIPTION

FIG. 1 is a top front perspective view of a camera for TV receiver showing our new design;
FIG. 2 is a front elevational view thereof;
FIG. 3 is a rear elevational view thereof;
FIG. 4 is a left side elevational view thereof;
FIG. 5 is a right side elevational view thereof;
FIG. 6 is a top plan view thereof; and,
FIG. 7 is a bottom plan view thereof.

1 Claim, 3 Drawing Sheets



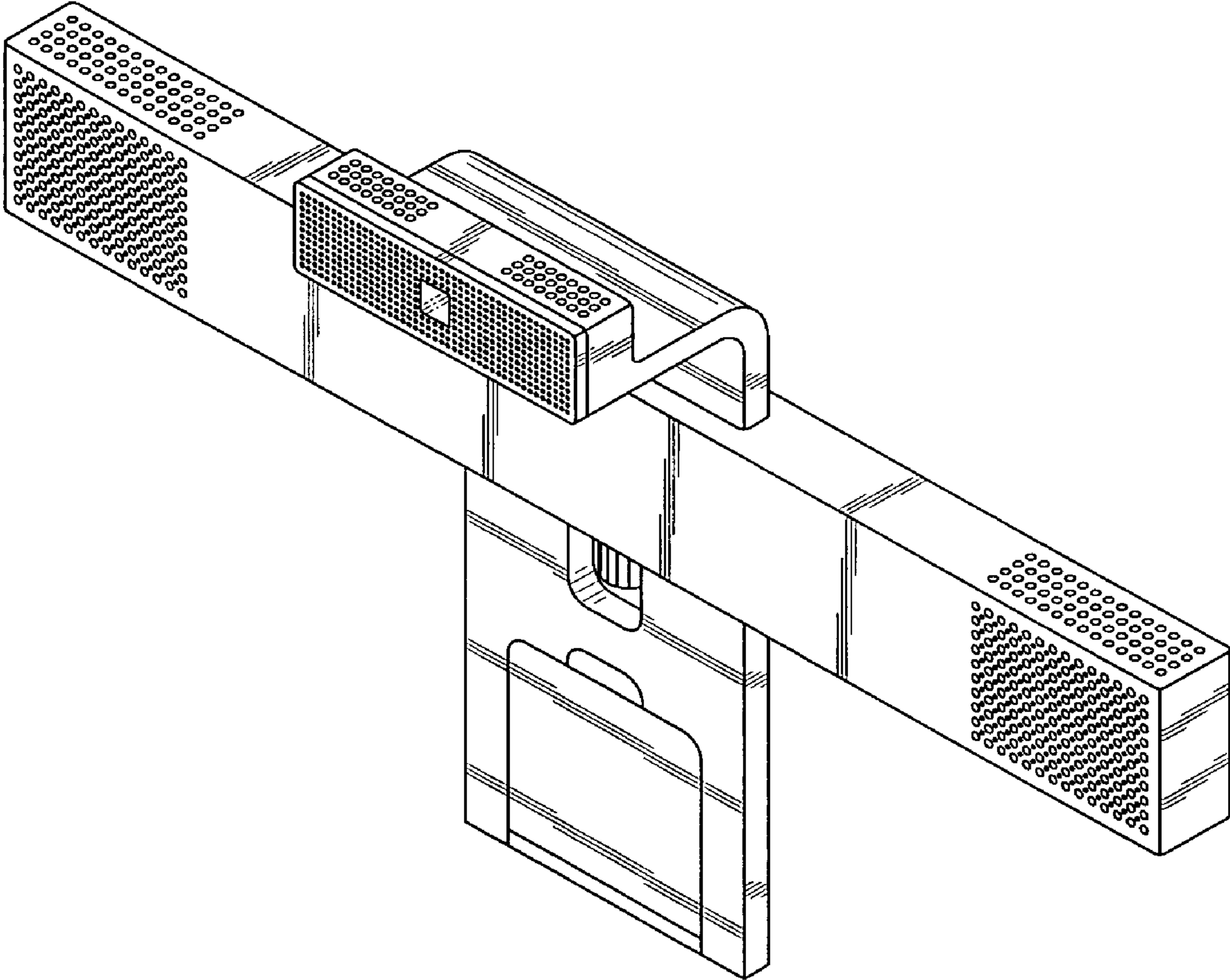


FIG.1

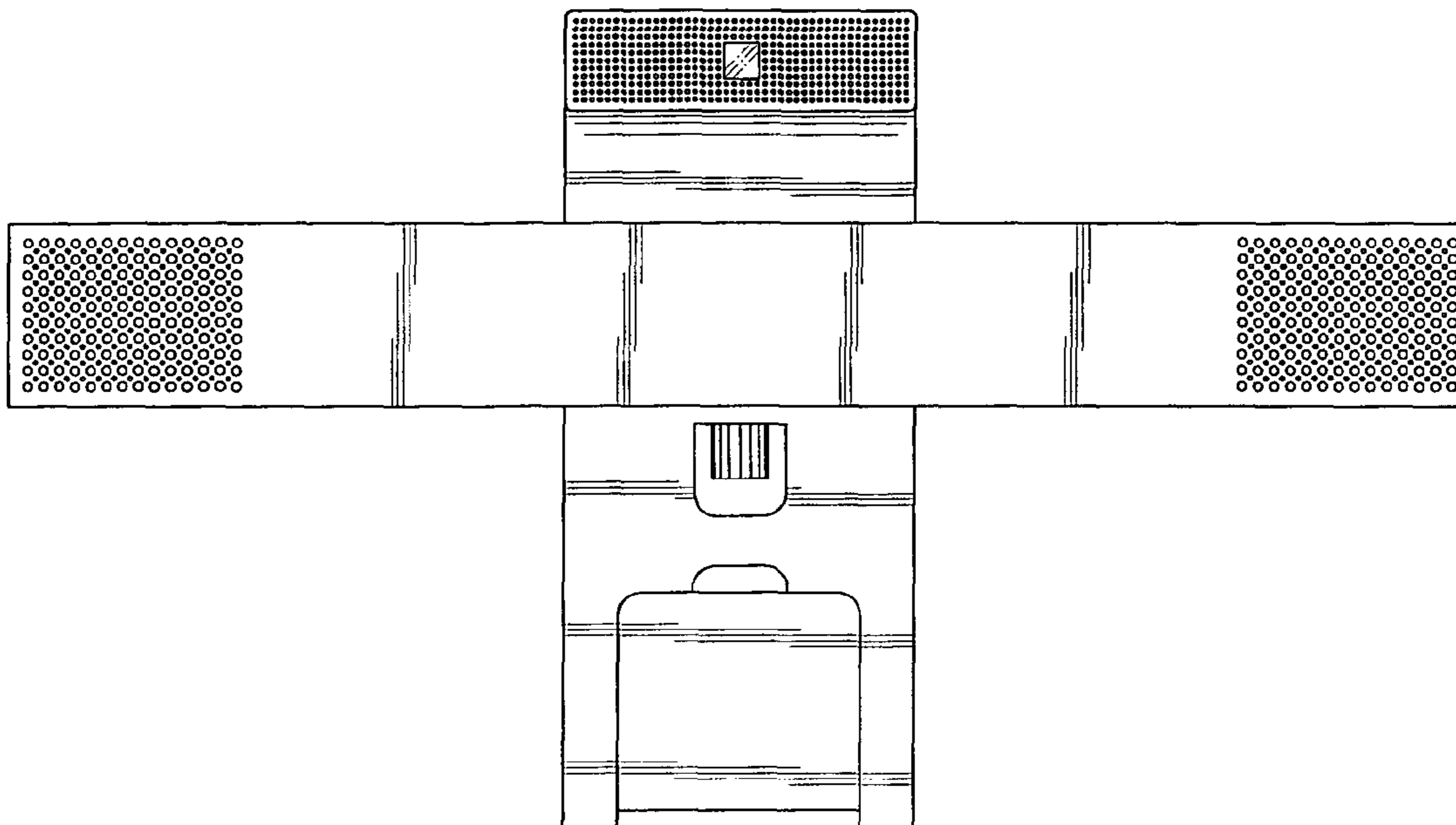


FIG. 2

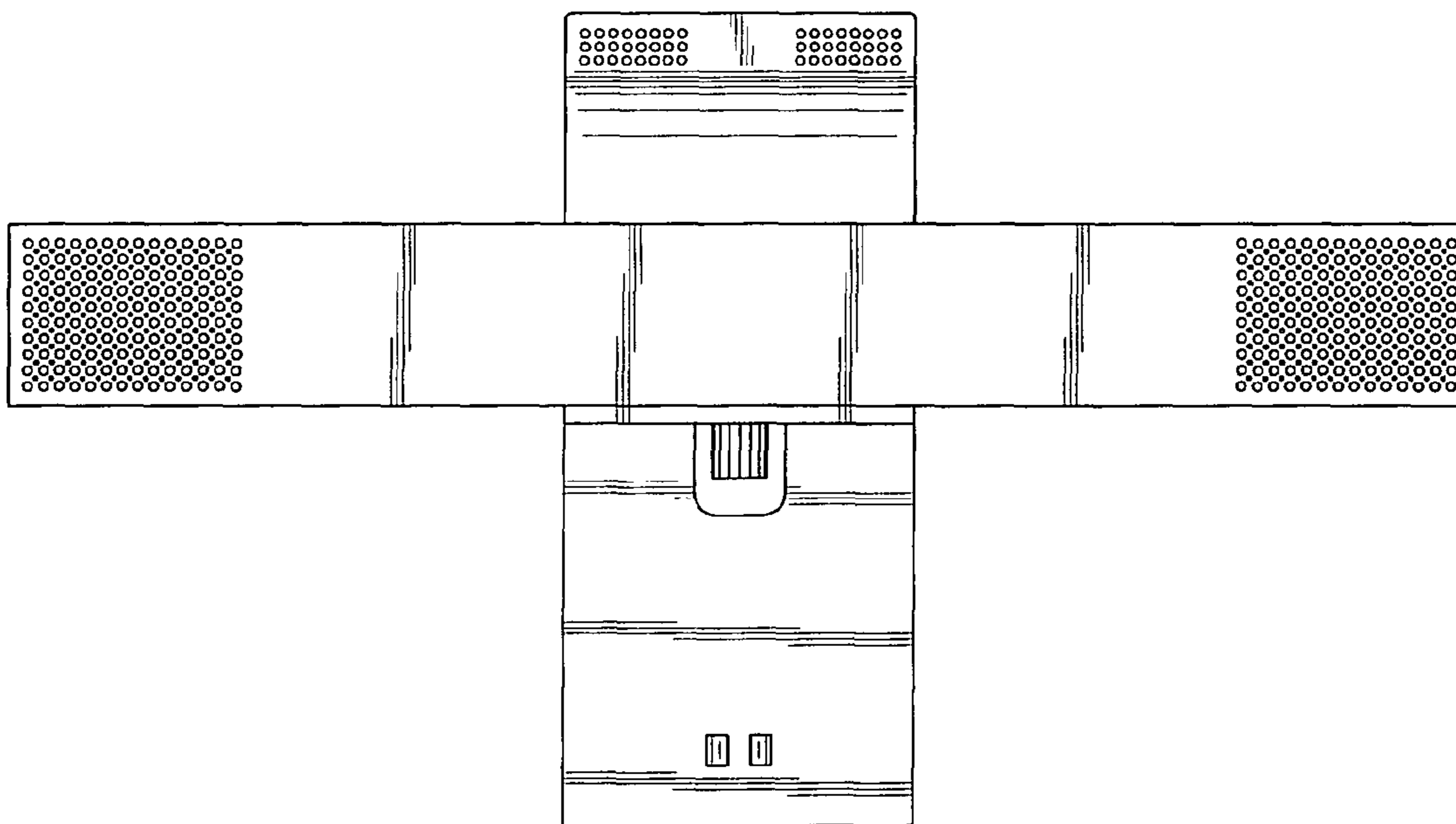


FIG. 3

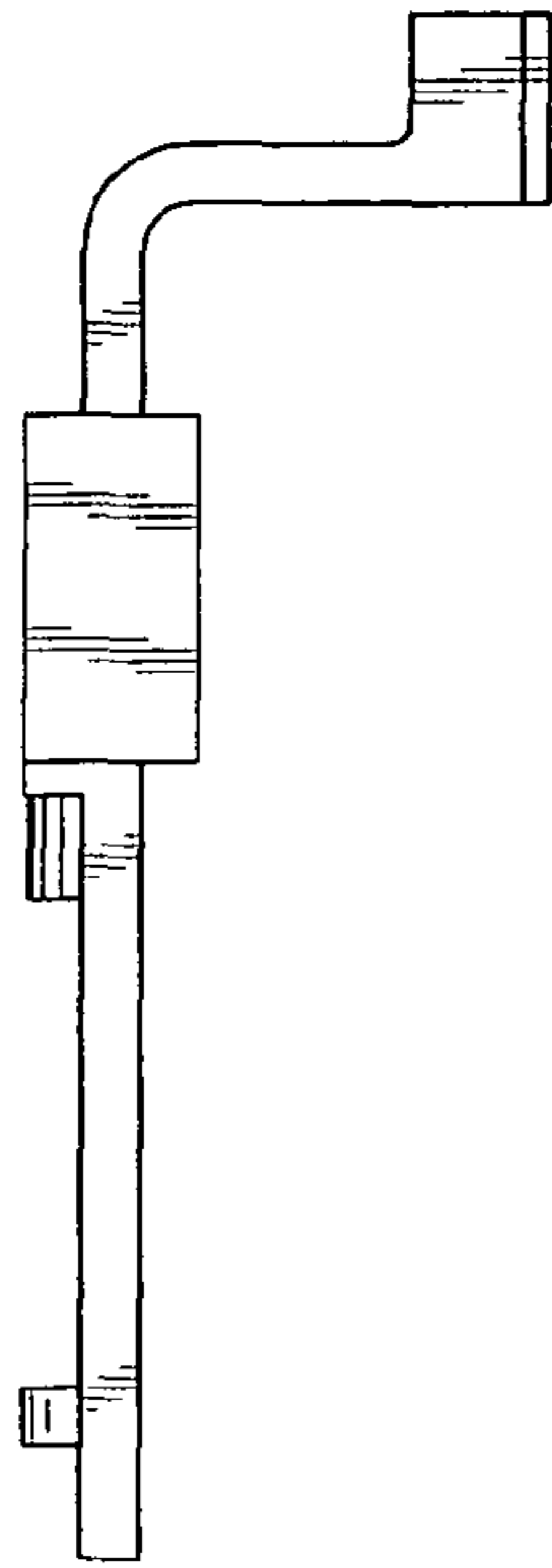


FIG. 4

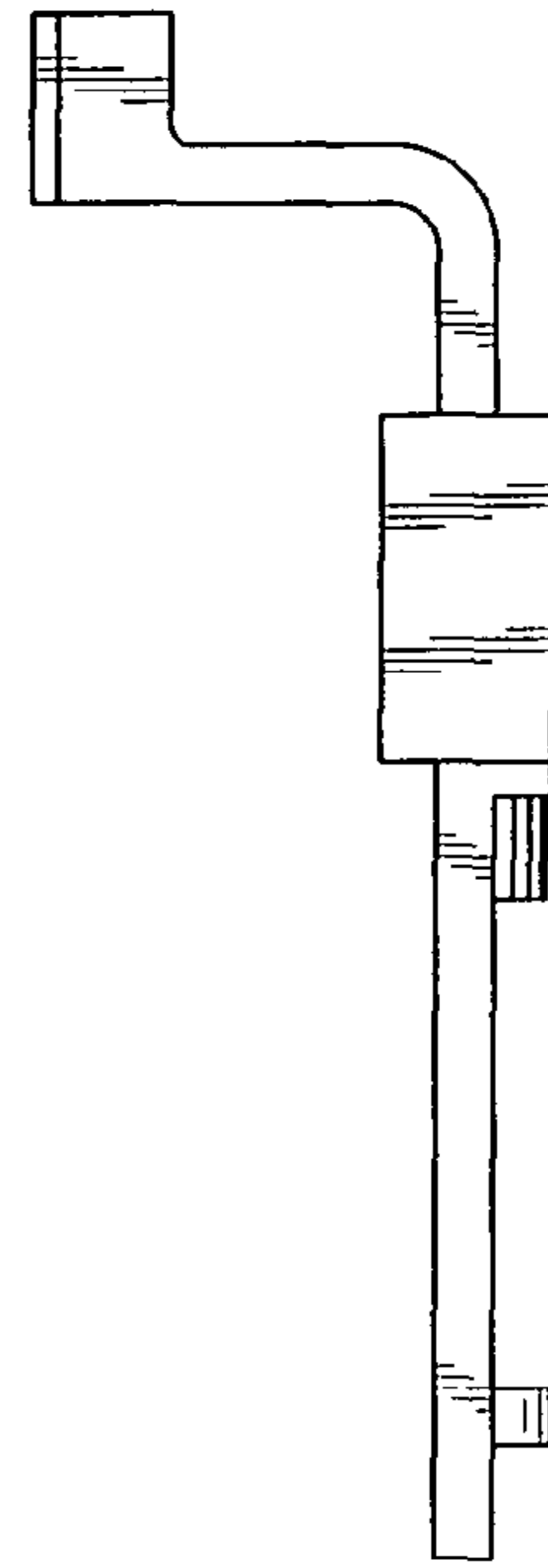


FIG. 5

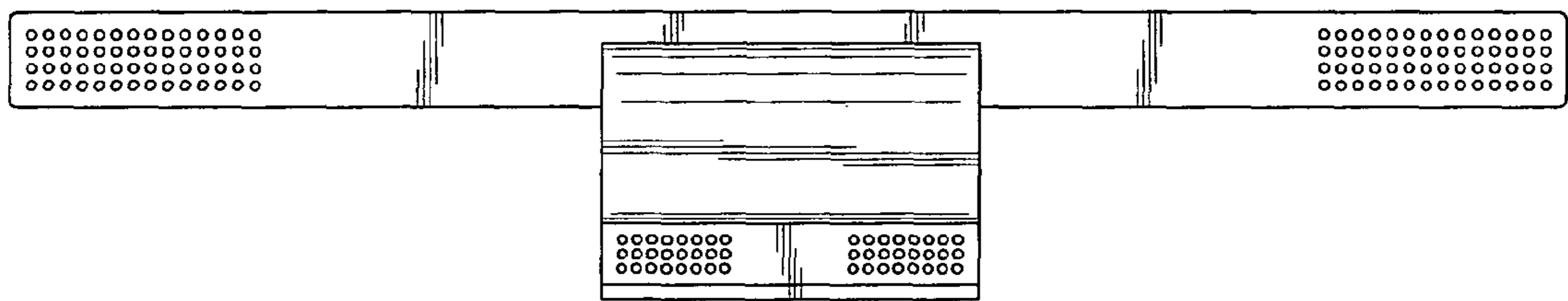


FIG. 6

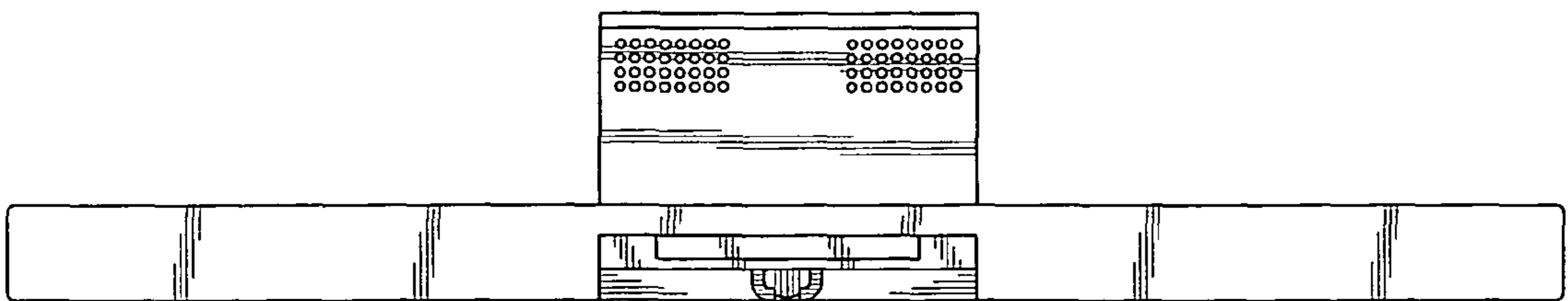


FIG. 7