

US00D643454S

(12) **United States Design Patent**
Zaliauskas et al.

(10) **Patent No.:** **US D643,454 S**

(45) **Date of Patent:** **** Aug. 16, 2011**

(54) **VIDEO CAMERA**

(75) Inventors: **Alex Zaliauskas**, Draper, UT (US);
Hsing Tung Wang, Hsinchu (TW);
Jason Perry Martin, Lake Oswego, OR
(US); **Carl Jonsson**, Portland, OR (US);
Chase Thompson, Portland, OR (US);
Phil Alan Bunker, Orem, UT (US);
Paul Tusting, Salt Lake City, UT (US)

(73) Assignee: **Logitech Europe S.A.**, Morges (CH)

(**) Term: **14 Years**

(21) Appl. No.: **29/370,523**

(22) Filed: **Jul. 28, 2010**

(51) **LOC (9) Cl.** **16-01**

(52) **U.S. Cl.** **D16/203; D16/202**

(58) **Field of Classification Search** D16/200–205,
D16/208, 218; 348/143, 151, 373–376; 358/906;
396/427, 535–541

See application file for complete search history.

(56) **References Cited**

U.S. PATENT DOCUMENTS

D316,421 S * 4/1991 Shinano et al. D16/202
D363,502 S * 10/1995 MacMurtrie et al. D16/202

6,683,654 B1 * 1/2004 Haijima 348/374
6,728,480 B1 * 4/2004 Maeda et al. 396/427
D524,347 S * 7/2006 Takahashi D16/203
D543,224 S * 5/2007 Kato et al. D16/203
D606,572 S * 12/2009 Samson et al. D16/203
D612,408 S * 3/2010 Yamakawa D16/203
7,859,592 B2 * 12/2010 Takahashi et al. 348/373
D633,543 S * 3/2011 Park D16/203

* cited by examiner

Primary Examiner — Adir Aronovich

(74) *Attorney, Agent, or Firm* — Kilpatrick Townsend &
Stockton LLP

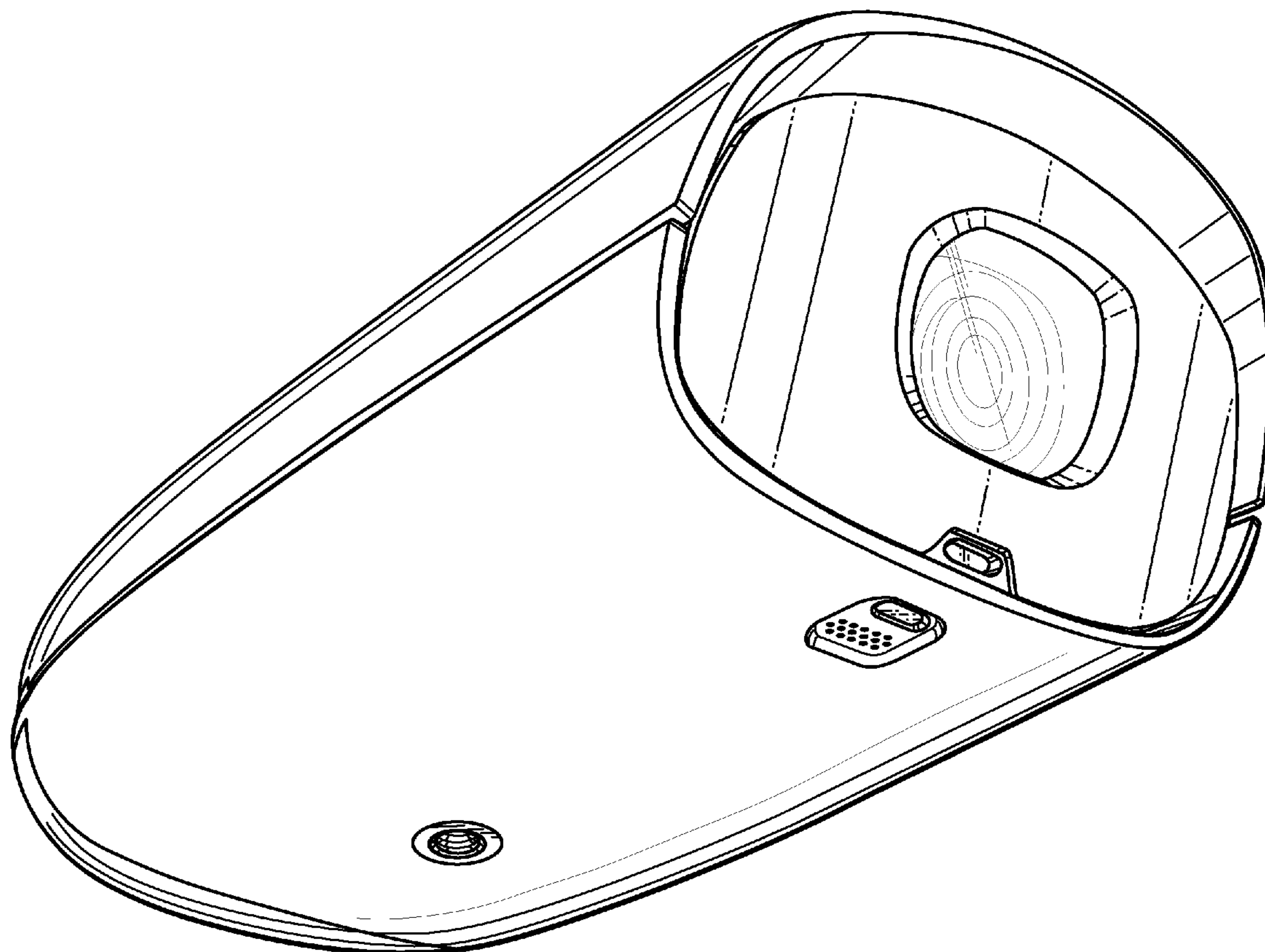
(57) **CLAIM**

The ornamental design for a video camera, as shown and
described.

DESCRIPTION

FIG. 1 is a bottom and front perspective view of a video
camera showing our new design;
FIG. 2 is a top plan view thereof;
FIG. 3 is a front elevational view thereof;
FIG. 4 is a left side elevational view;
FIG. 5 is a right side elevational view;
FIG. 6 is a rear elevational view thereof; and,
FIG. 7 is a bottom plan view thereof.

1 Claim, 4 Drawing Sheets



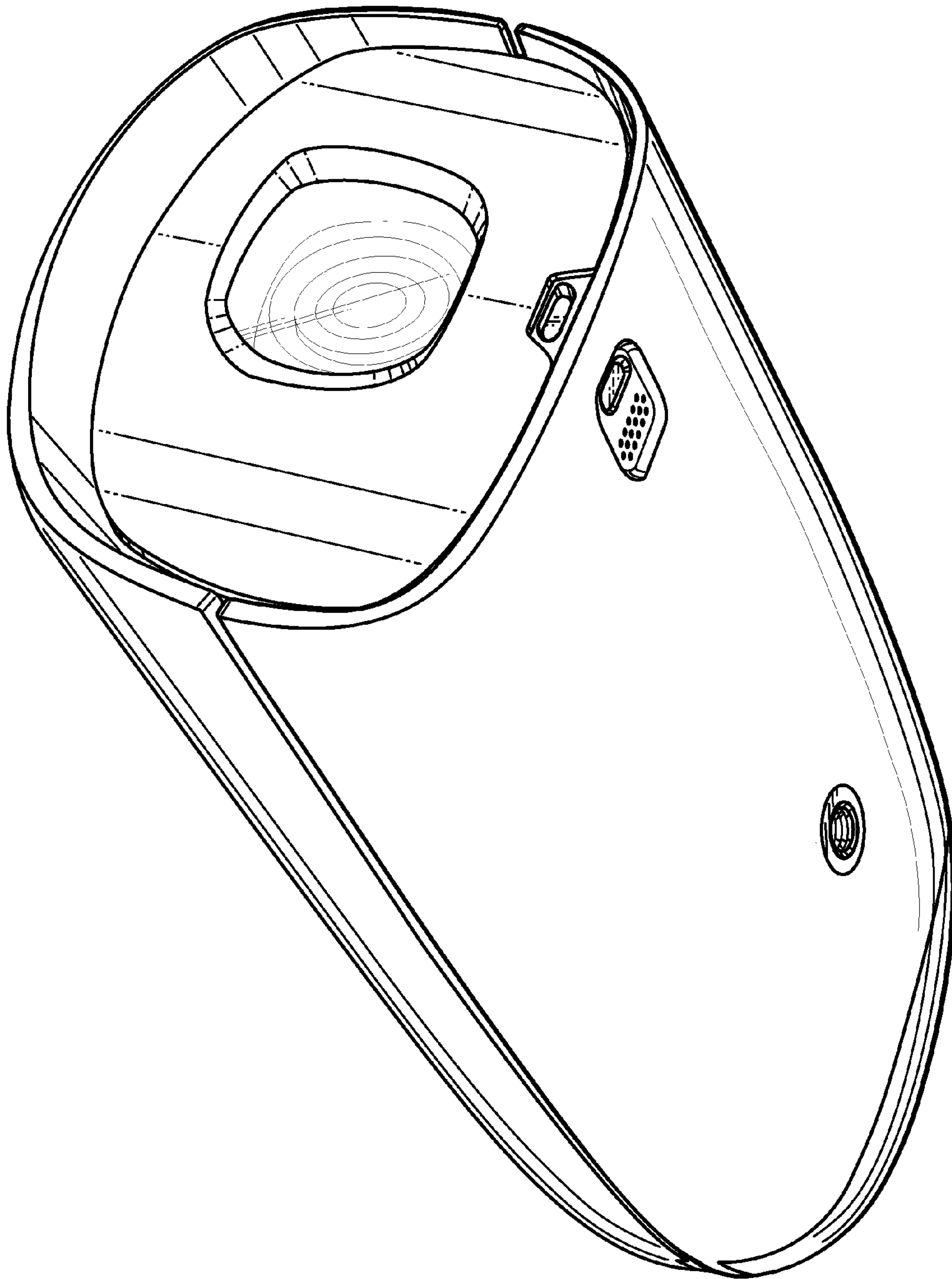


FIG. 1

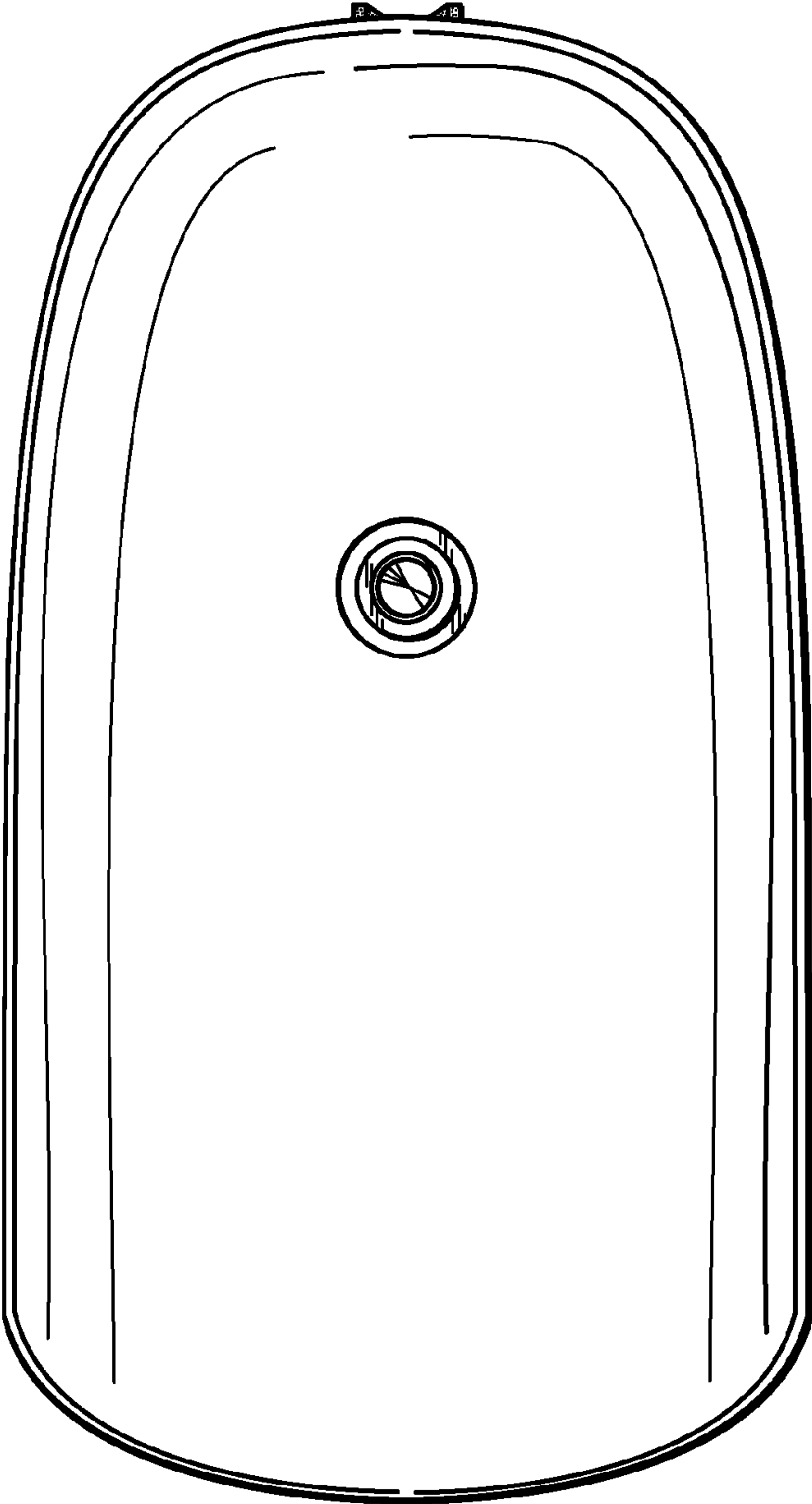


FIG. 2

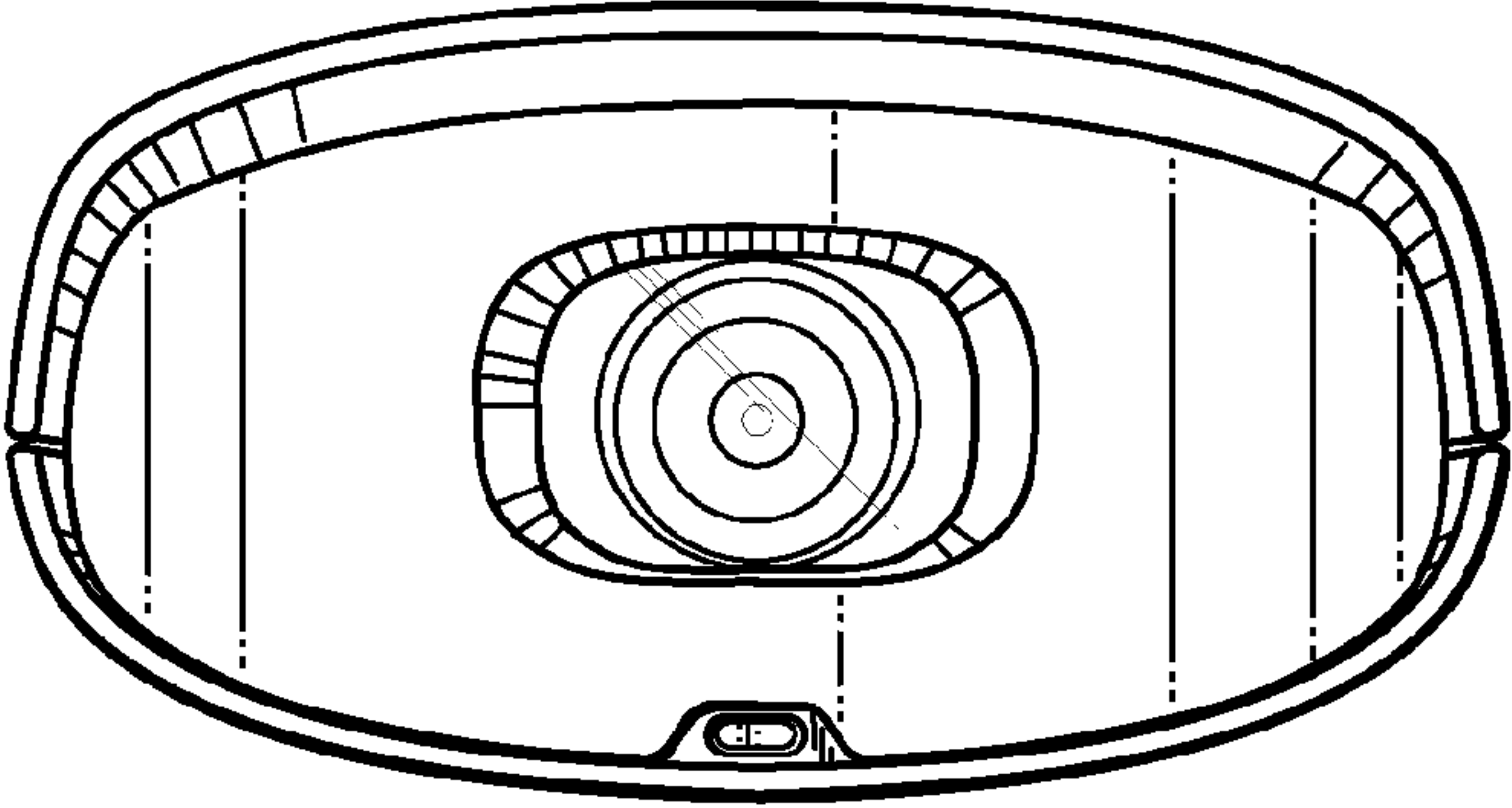


FIG. 3

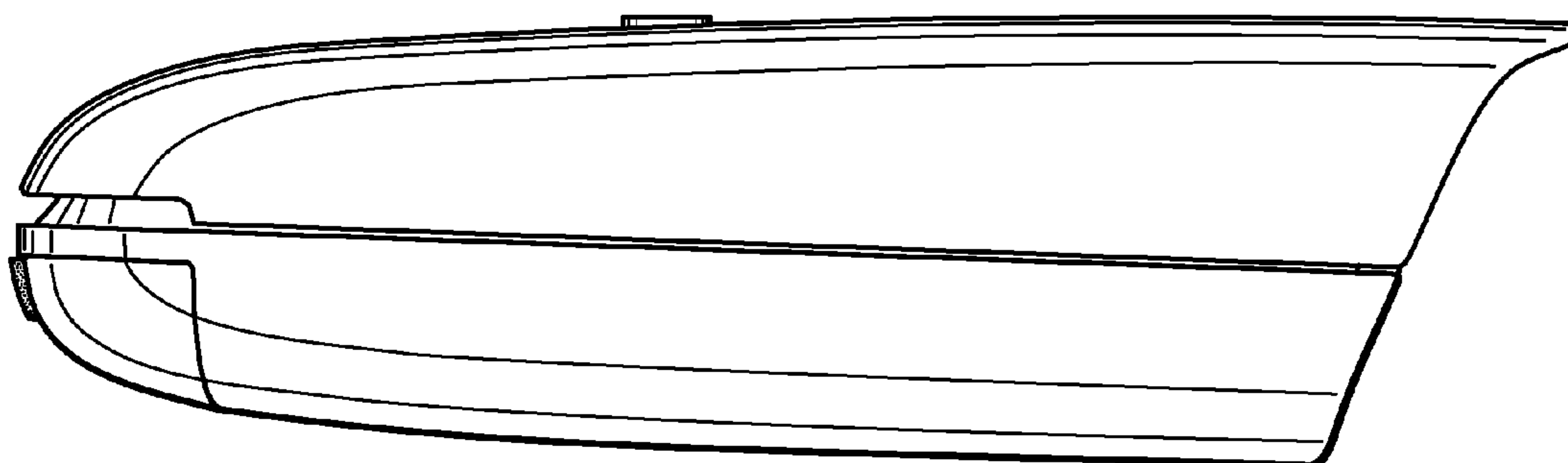


FIG. 4

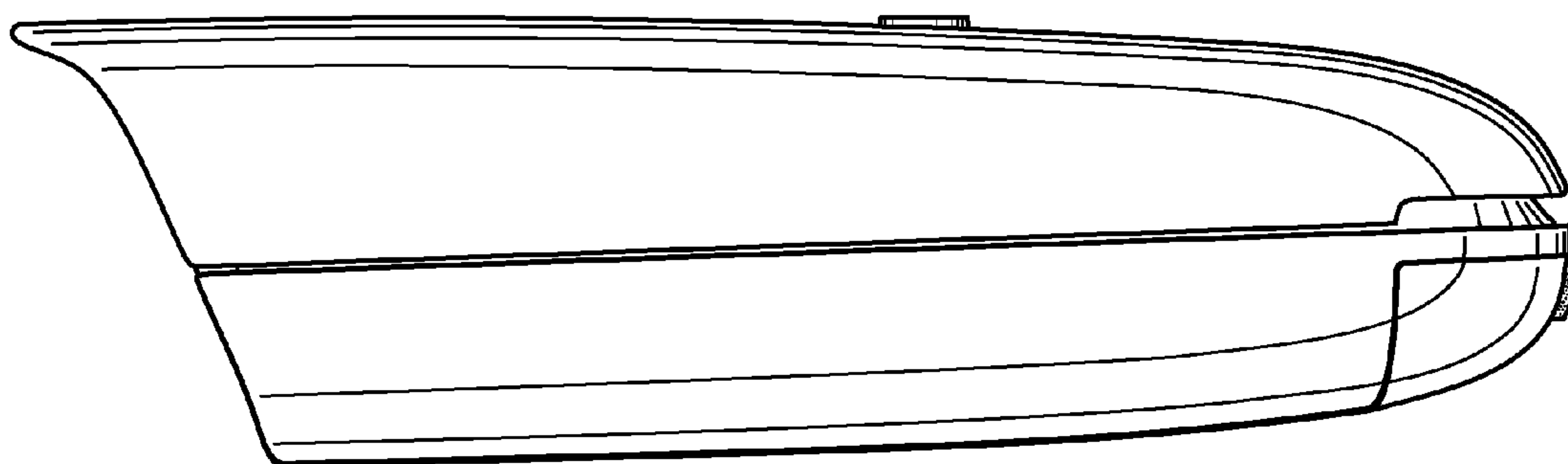


FIG. 5

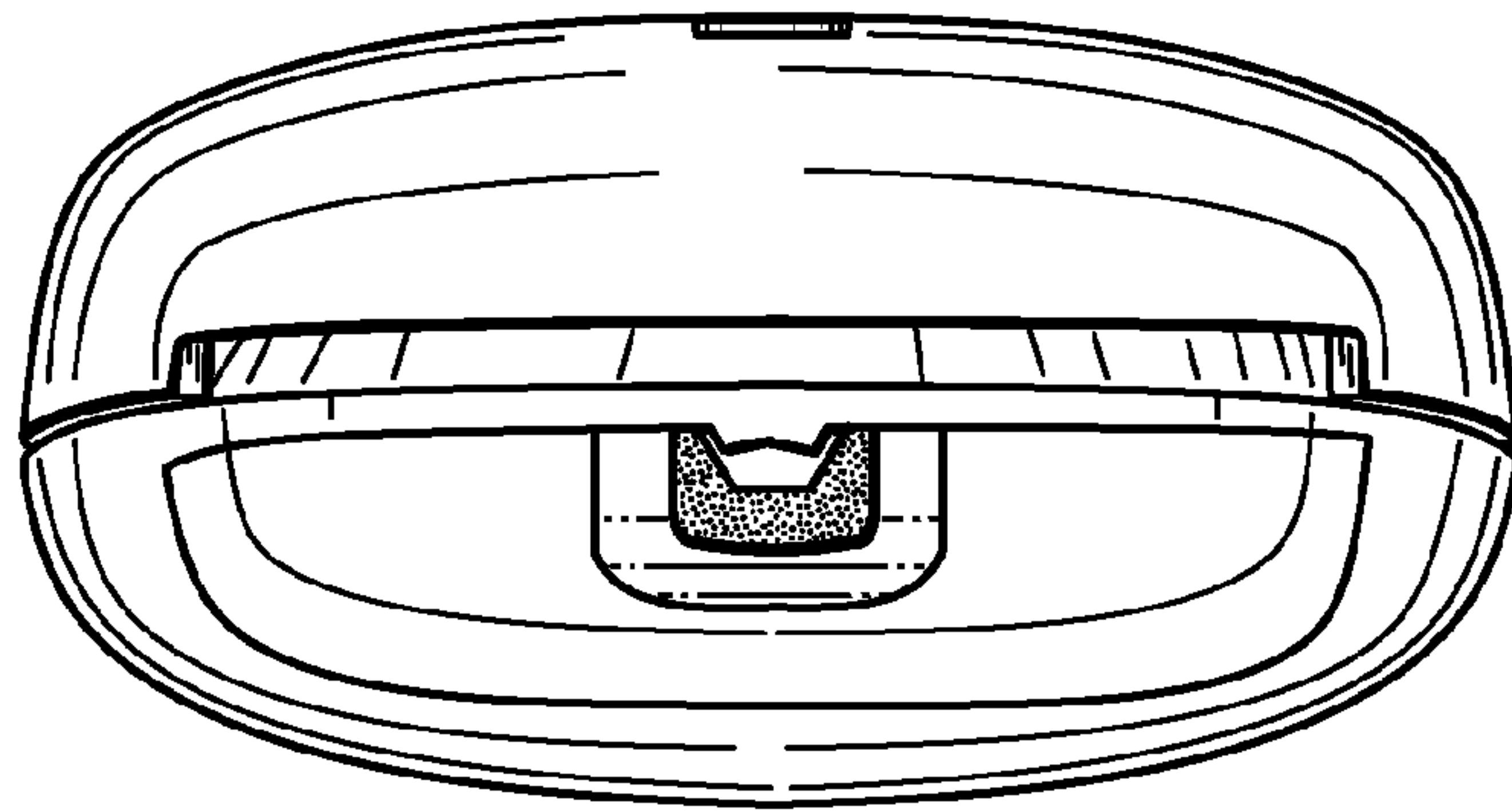


FIG. 6

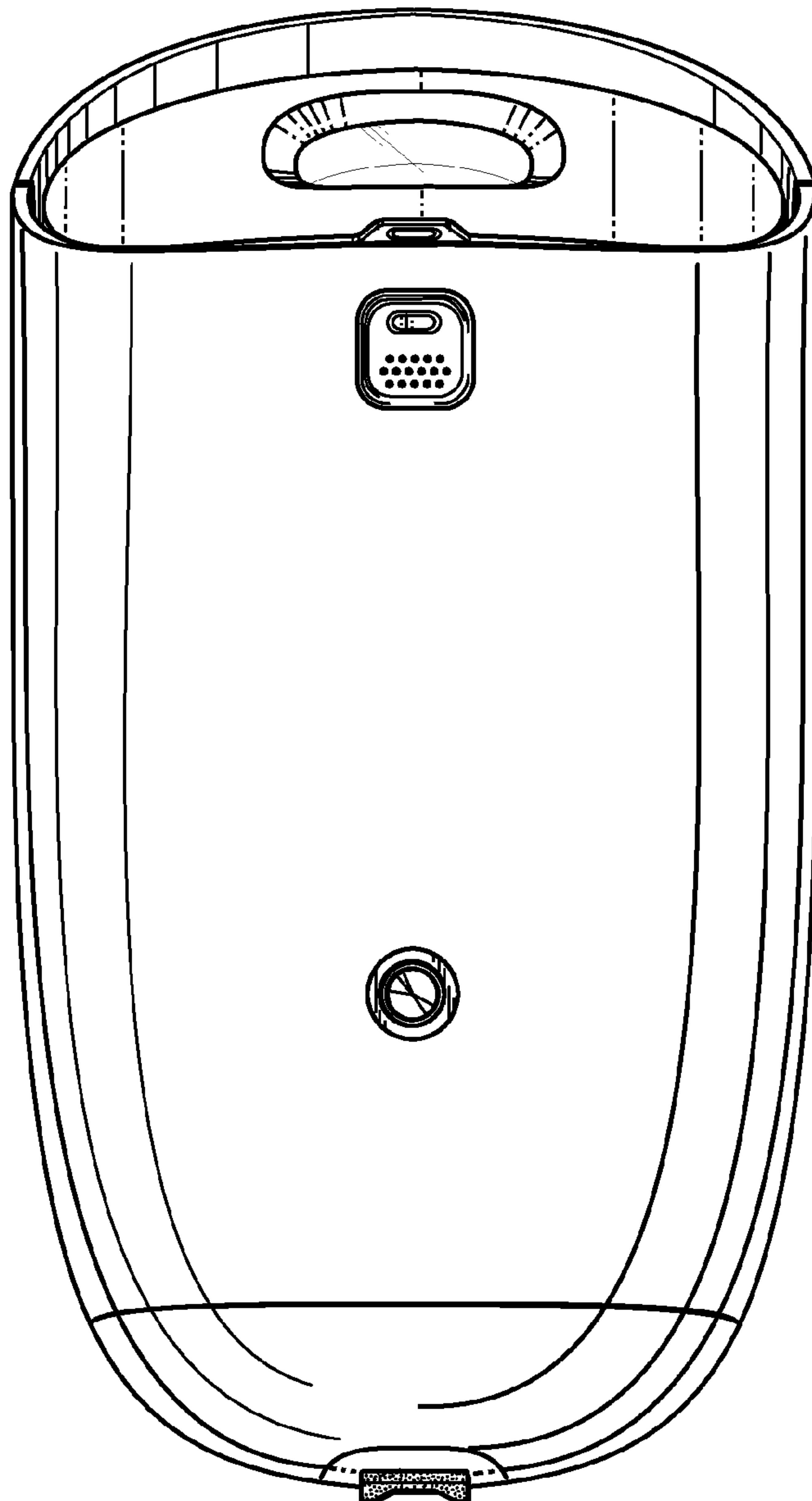


FIG. 7