



US00D643453S

(12) **United States Design Patent**
Ham

(10) **Patent No.:** **US D643,453 S**

(45) **Date of Patent:** **** Aug. 16, 2011**

(54) **CAMERA FOR CLOSED CIRCUIT TELEVISION**

D554,170 S * 10/2007 Grotto D16/203
D558,250 S * 12/2007 Hsia D16/203
D578,560 S * 10/2008 Hsia D16/203
D589,996 S * 4/2009 Kellar et al. D16/203

(75) Inventor: **Sang Chan Ham**, Seoul (KR)

* cited by examiner

(73) Assignee: **CNB Technology Inc.**, Seoul (KR)

Primary Examiner — Adir Aronovich

(**) Term: **14 Years**

(74) *Attorney, Agent, or Firm* — John K. Park; Park Law Firm

(21) Appl. No.: **29/351,756**

(57) **CLAIM**

(22) Filed: **Dec. 10, 2009**

The ornamental design for a camera for closed circuit television, as shown and described.

(51) **LOC (9) Cl.** **16-01**

(52) **U.S. Cl.** **D16/203**

(58) **Field of Classification Search** D16/200–205,
D16/208, 218, 242; 248/278.1; 348/143,
348/373–376; 358/906; 396/419, 427, 428,
396/535

DESCRIPTION

See application file for complete search history.

FIG. 1 is a perspective view of a camera for closed circuit television showing my new design;
FIG. 2 is a front elevational view thereof;
FIG. 3 is a rear elevational view thereof;
FIG. 4 is a right side elevational view thereof;
FIG. 5 is a left side elevational view thereof;
FIG. 6 is a top plan view thereof; and,
FIG. 7 is a bottom plan view thereof.

(56) **References Cited**

The broken line showing of environment is for illustrative purposes only and forms no part of the claimed design.

U.S. PATENT DOCUMENTS

5,224,675 A * 7/1993 Ellenberger et al. 396/427
D349,714 S * 8/1994 Hasegawa D16/203
6,437,826 B1 * 8/2002 Arnold 348/373
6,679,467 B1 * 1/2004 Softness 248/278.1
D510,589 S * 10/2005 Andre et al. D16/202

1 Claim, 7 Drawing Sheets

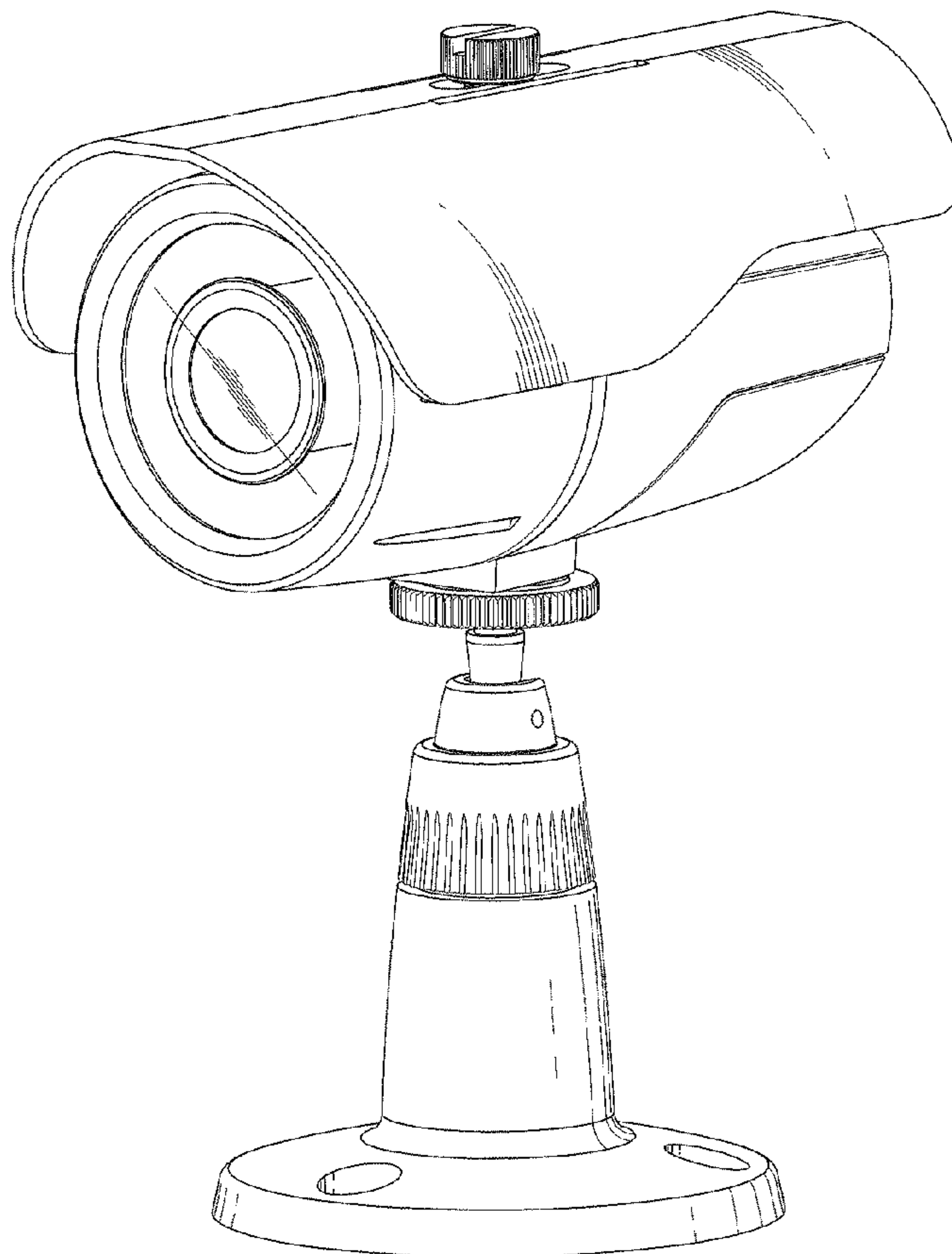


FIG. 1

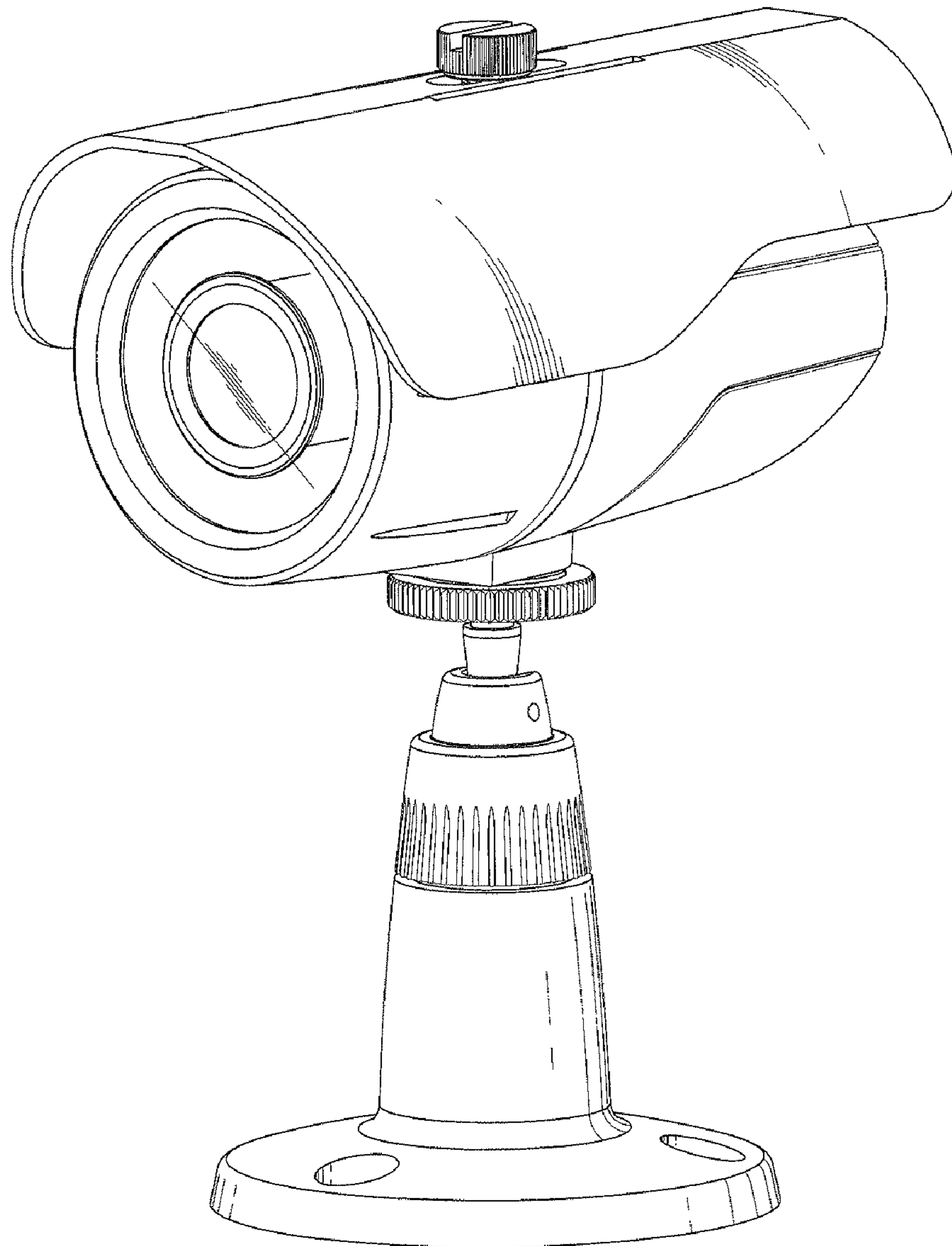


FIG. 2

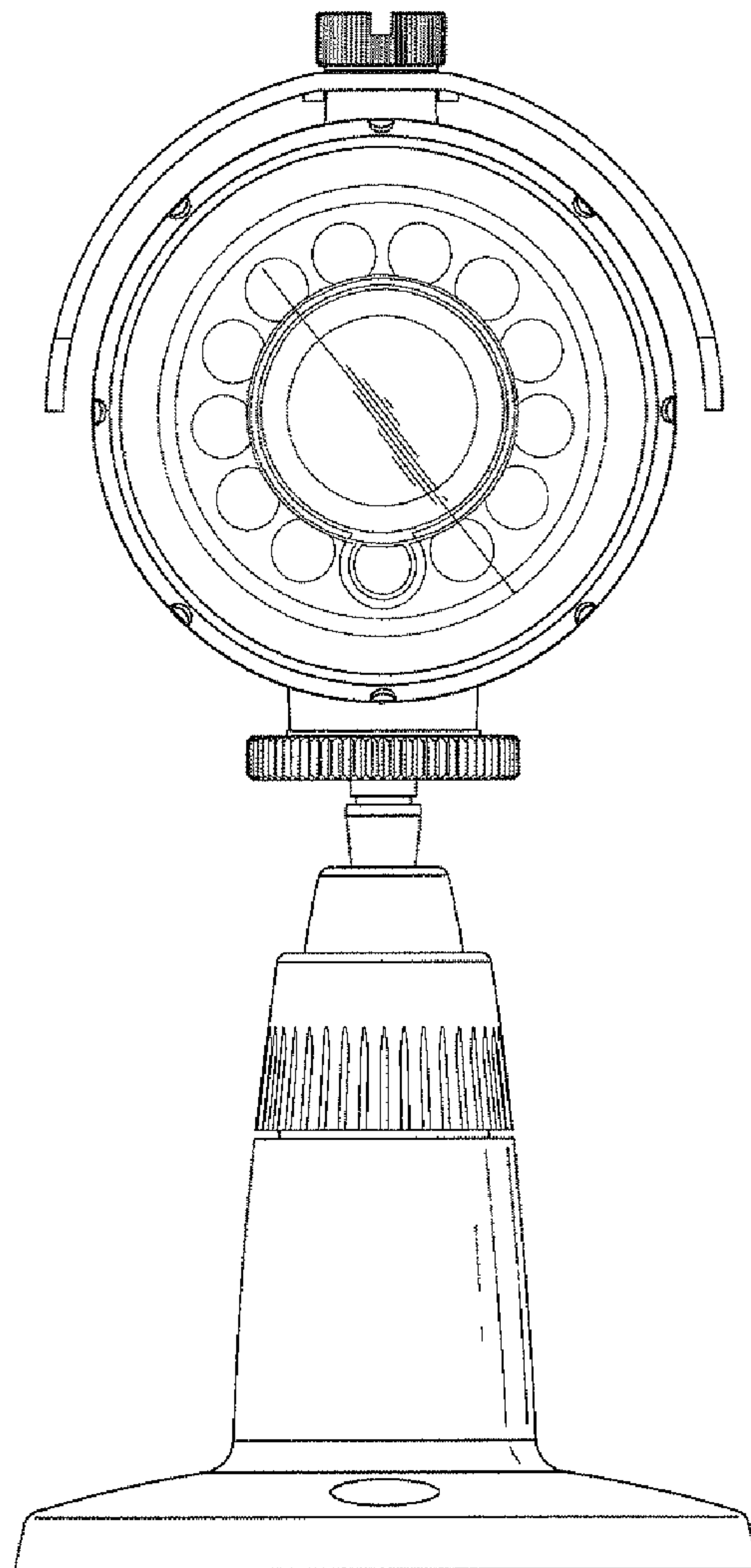


FIG. 3

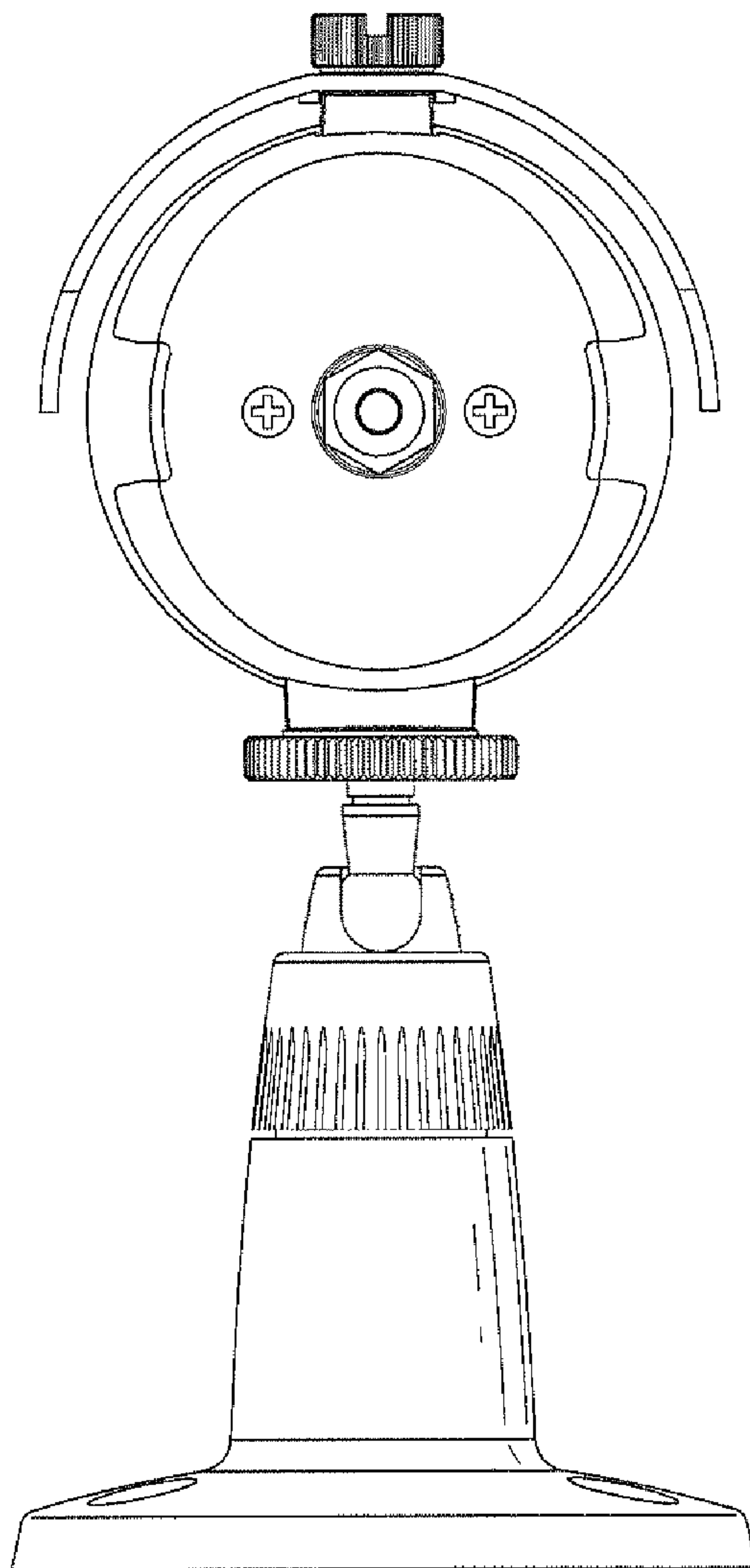


FIG. 4

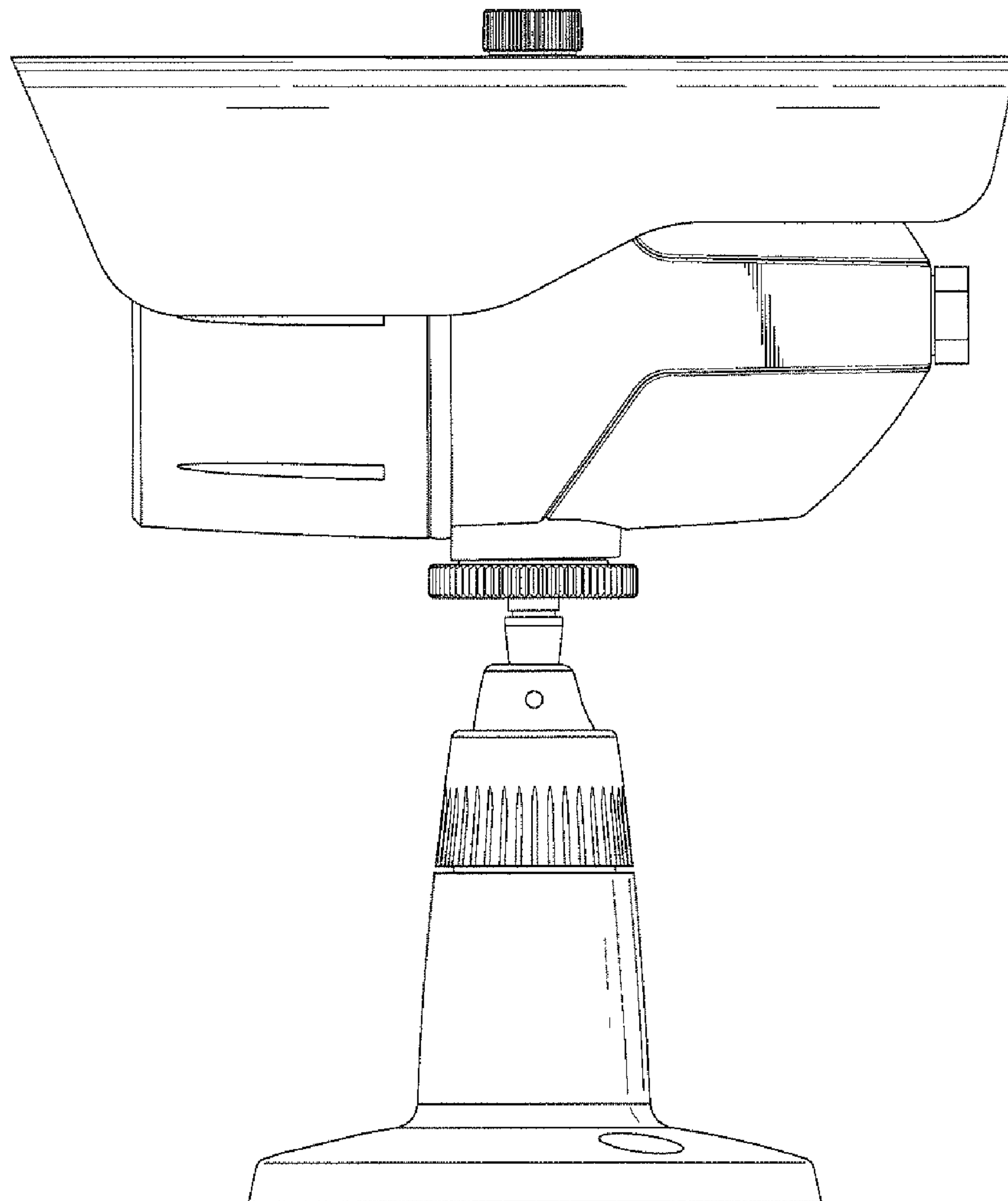


FIG. 5

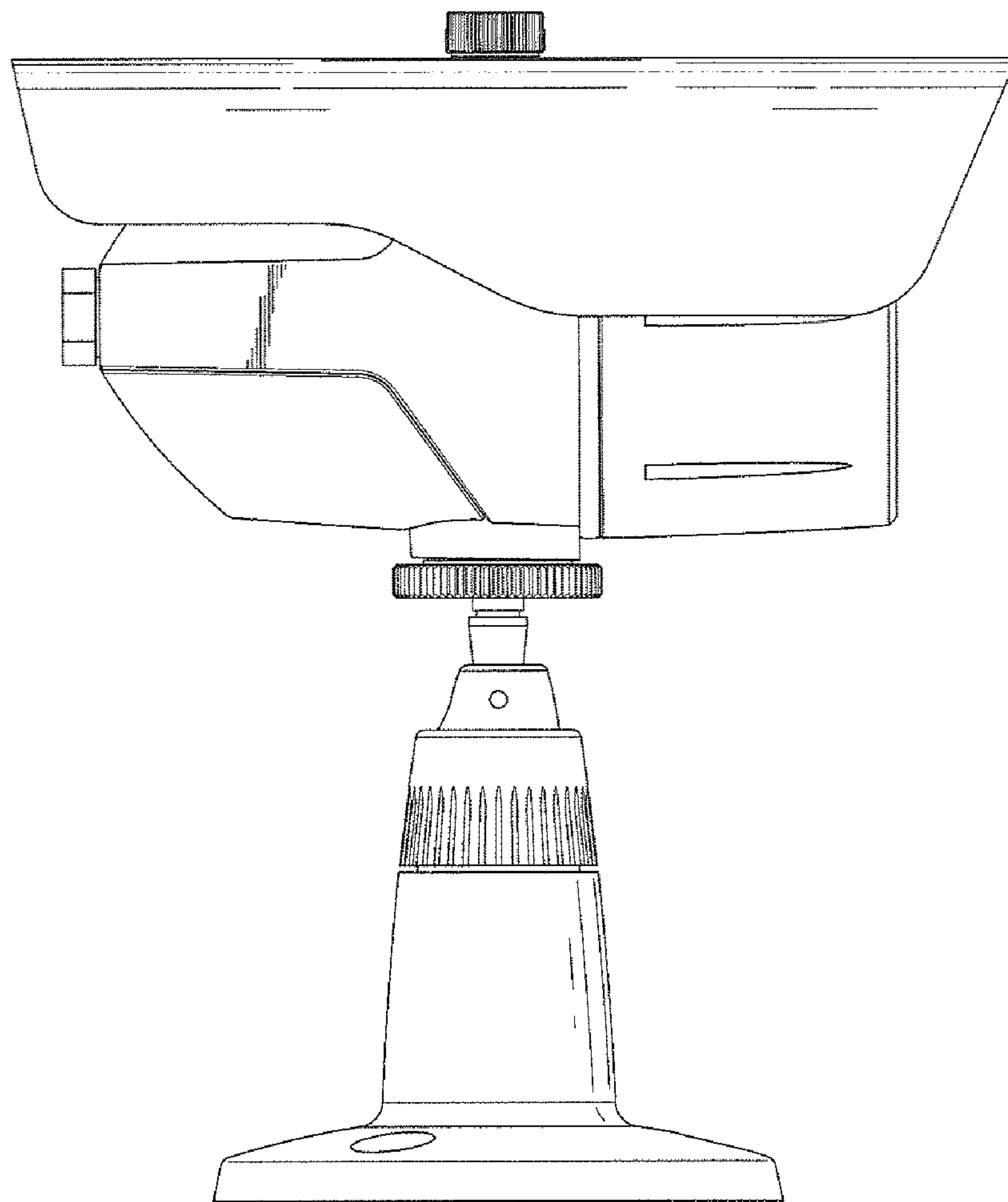


FIG. 6

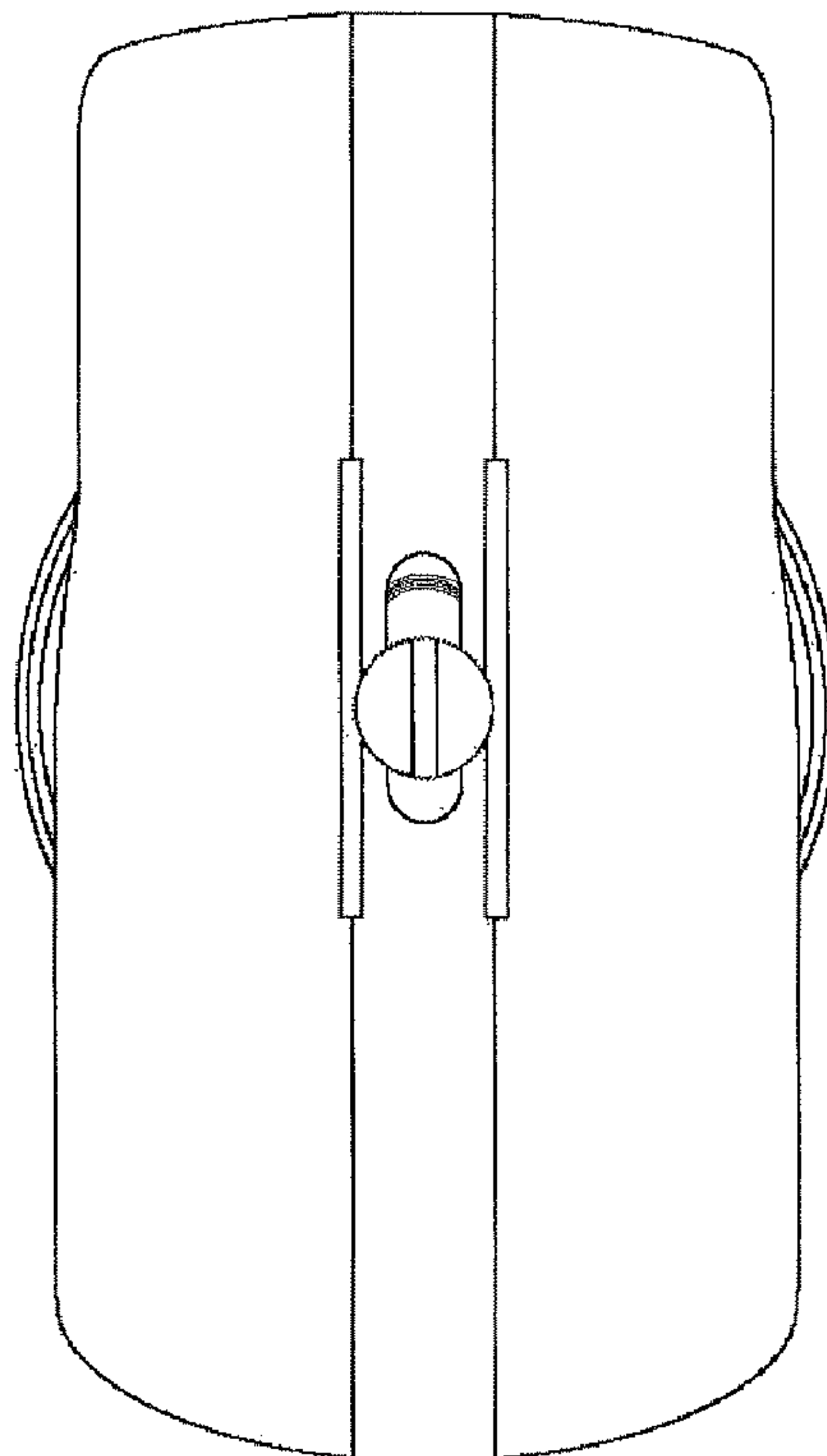


FIG. 7

