



US00D643452S

(12) **United States Design Patent**
Alm et al.

(10) **Patent No.:** **US D643,452 S**

(45) **Date of Patent:** **** Aug. 16, 2011**

(54) **HOUSING FOR CAMERA**

(75) Inventors: **Carl-Axel Alm**, Lund (SE); **Morten Bergström**, Bjärred (SE); **Staffan Dahlberg**, Malmö (SE); **Magnus Sonesson**, Landskrona (SE)

(73) Assignee: **Axis AB**, Lund (SE)

(**) Term: **14 Years**

(21) Appl. No.: **29/369,337**

(22) Filed: **Sep. 7, 2010**

(30) **Foreign Application Priority Data**

Mar. 4, 2010 (EM) 001199376

(51) **LOC (9) Cl.** **16-01**

(52) **U.S. Cl.** **D16/200; D16/203**

(58) **Field of Classification Search** D16/200–205,
D16/208, 218; 348/373–376; 358/906; 396/427,
396/535–541

See application file for complete search history.

(56) **References Cited**

U.S. PATENT DOCUMENTS

D210,502 S * 3/1968 Caldwell D16/205
D303,674 S * 9/1989 Shimizu et al. D16/202
D339,598 S * 9/1993 Shimizu D16/203
5,790,910 A * 8/1998 Haskin 396/427

D416,930 S * 11/1999 Choi D16/203
D527,404 S * 8/2006 Brickzin D16/203
D528,143 S * 9/2006 Walter et al. D16/203
D556,805 S * 12/2007 Kuroda D16/203
7,557,859 B2 * 7/2009 Lee 348/373
D609,727 S * 2/2010 Adolfsson et al. D16/200

* cited by examiner

Primary Examiner — Adir Aronovich

(74) *Attorney, Agent, or Firm* — Oblon, Spivak, McClelland, Maier & Neustadt, L.L.P.

(57) **CLAIM**

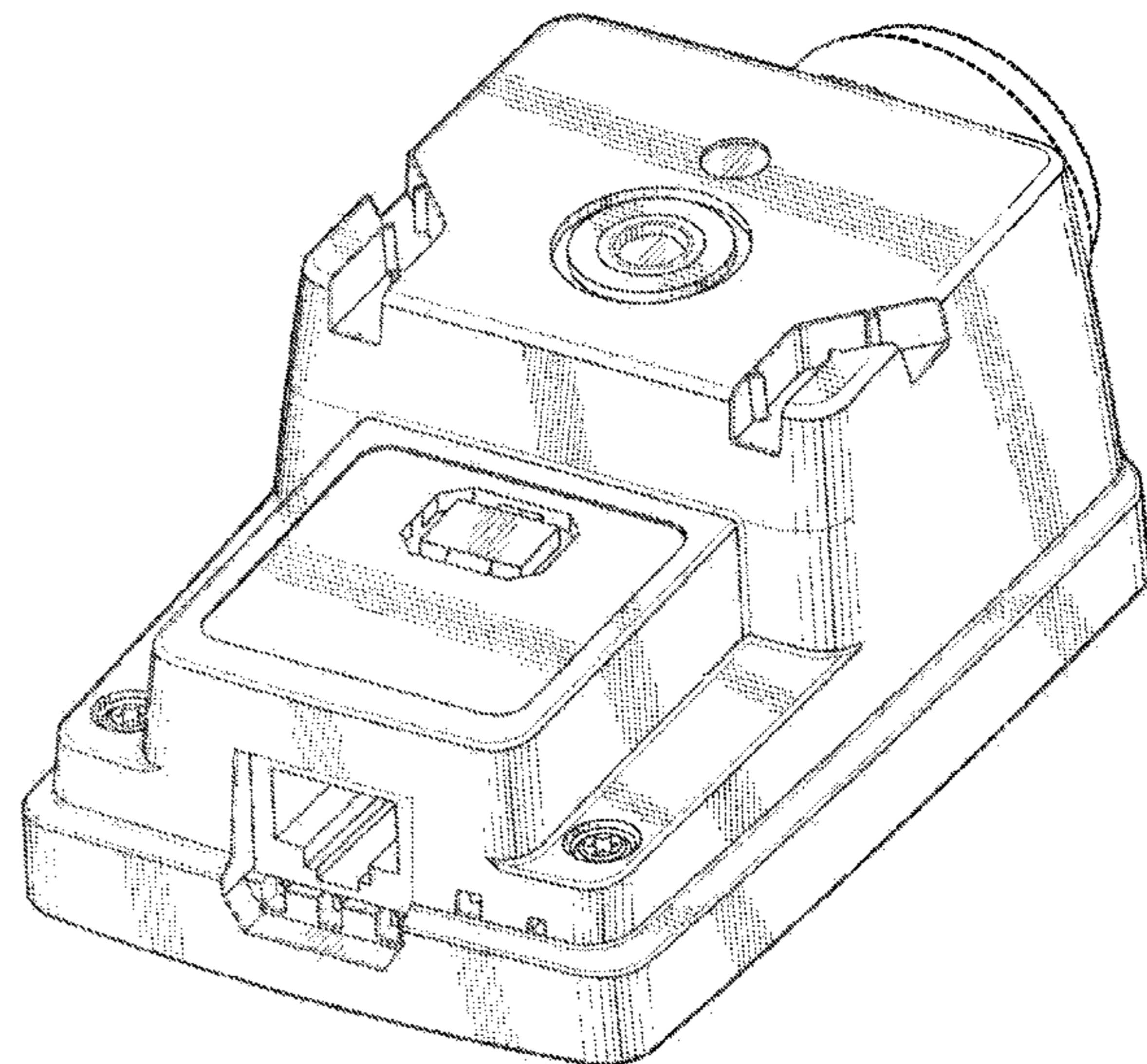
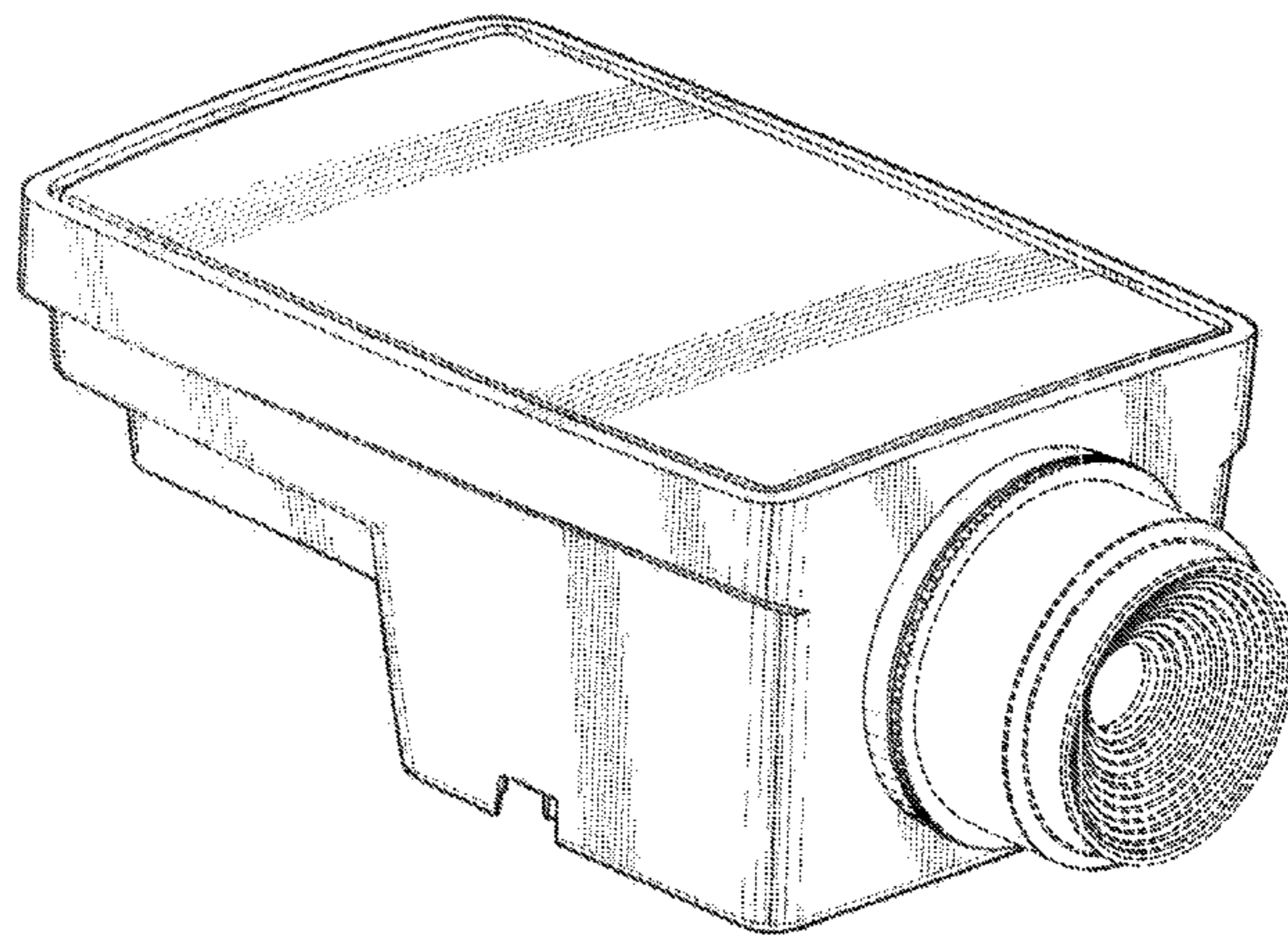
The ornamental design for a housing for camera, as shown and described.

DESCRIPTION

FIG. 1 is a top, front and left side perspective view of a housing for camera showing our new design; FIG. 2 a bottom, rear and right side perspective view thereof; FIG. 3 is a top plan view thereof; FIG. 4 is a bottom plan view thereof; FIG. 5 is a right side elevational view thereof; FIG. 6 is a front elevational view thereof; and, FIG. 7 is a rear elevational view thereof.

The portions of the housing for camera shown in broken lines are for illustrative purposes only and form no part of the claimed design.

1 Claim, 7 Drawing Sheets



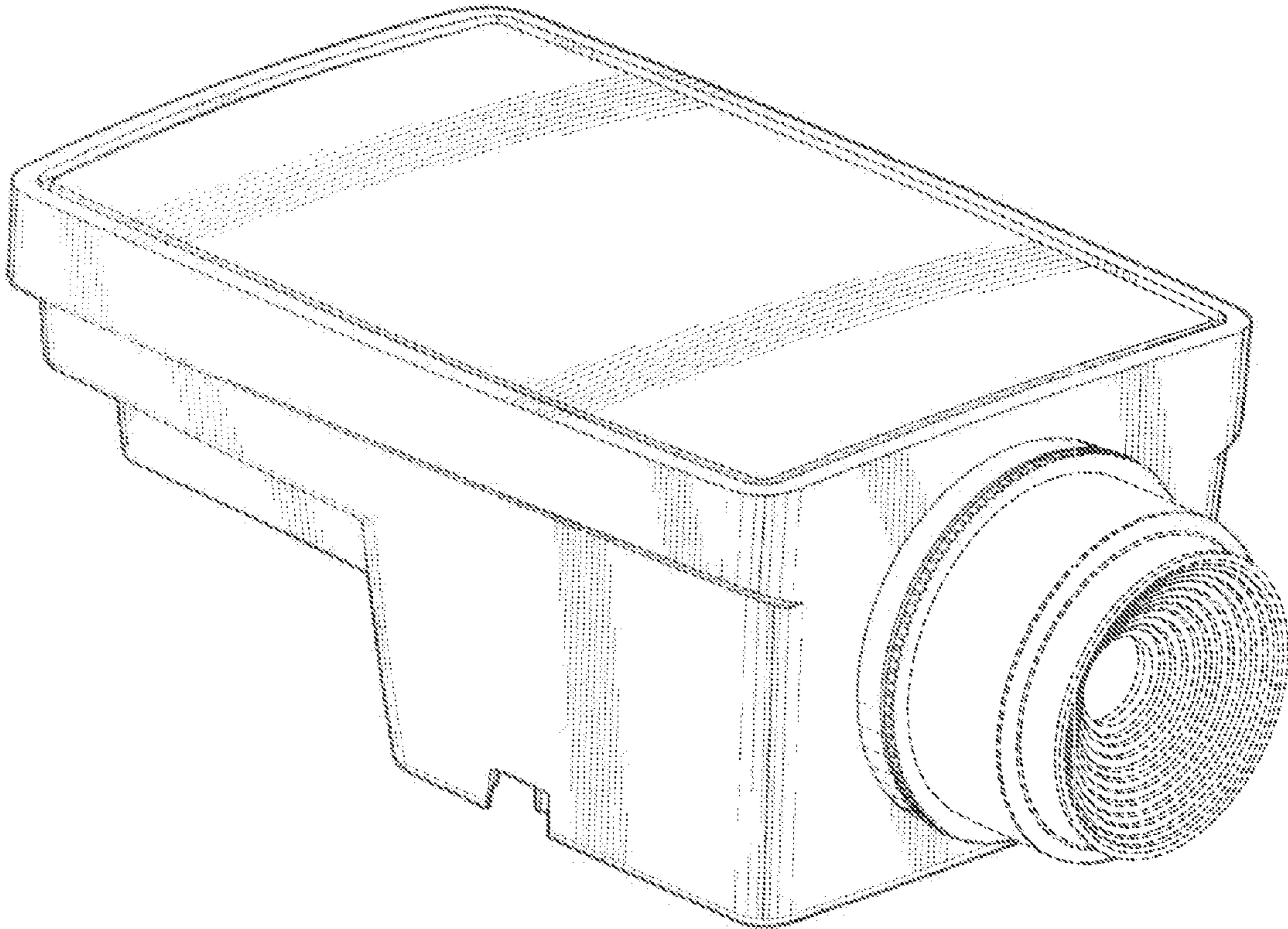


Fig. 1

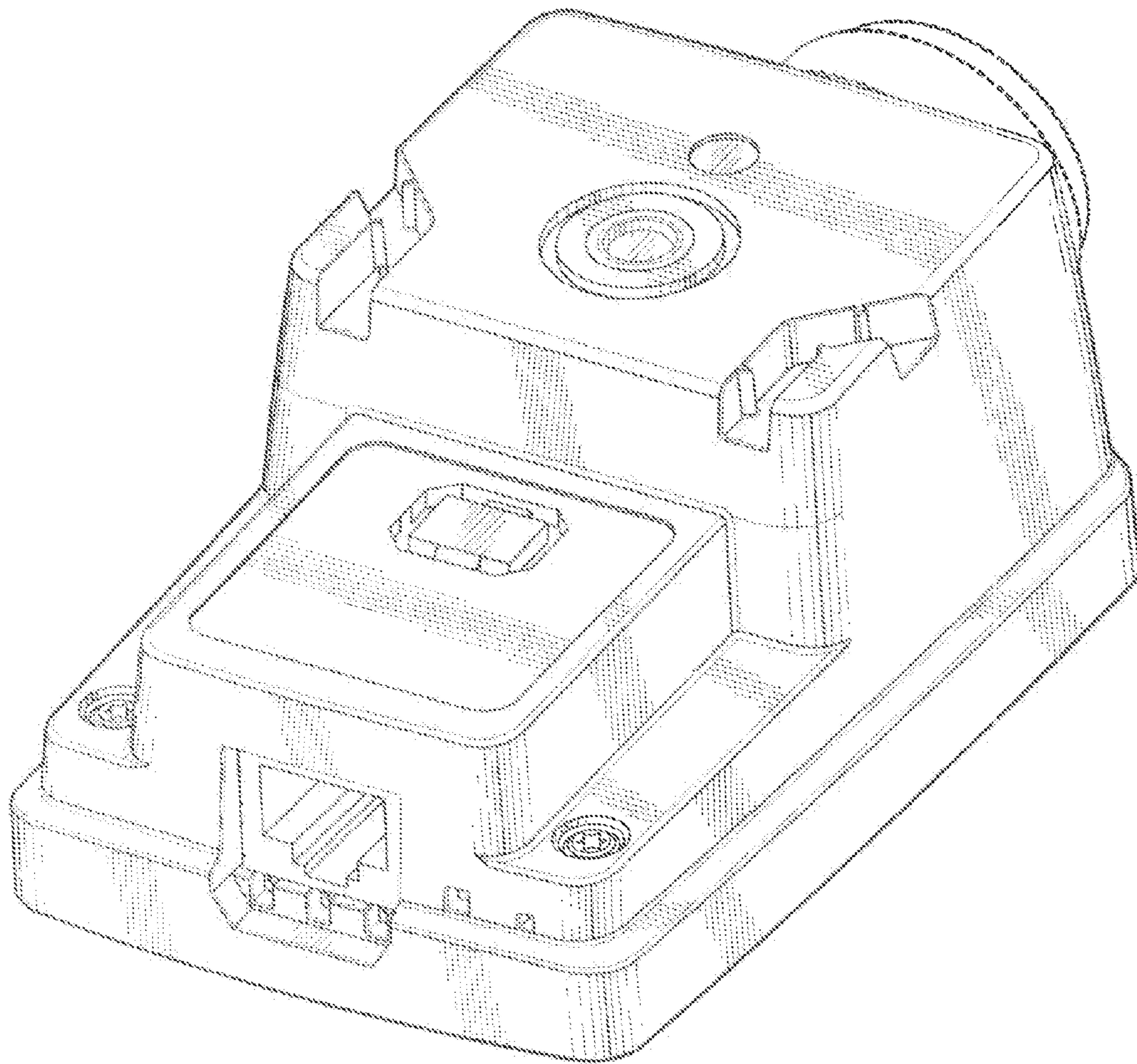


Fig. 2

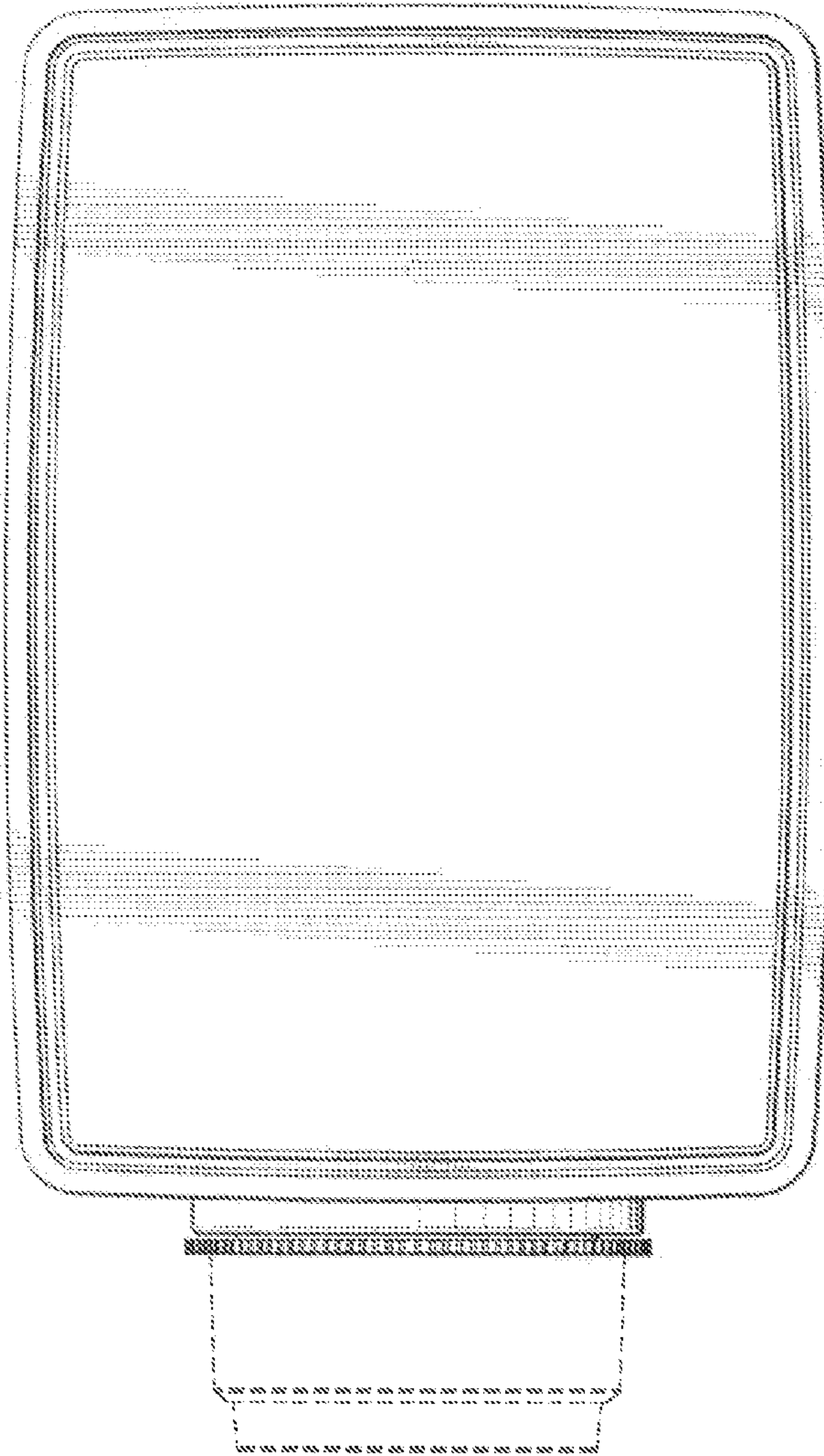


Fig. 3

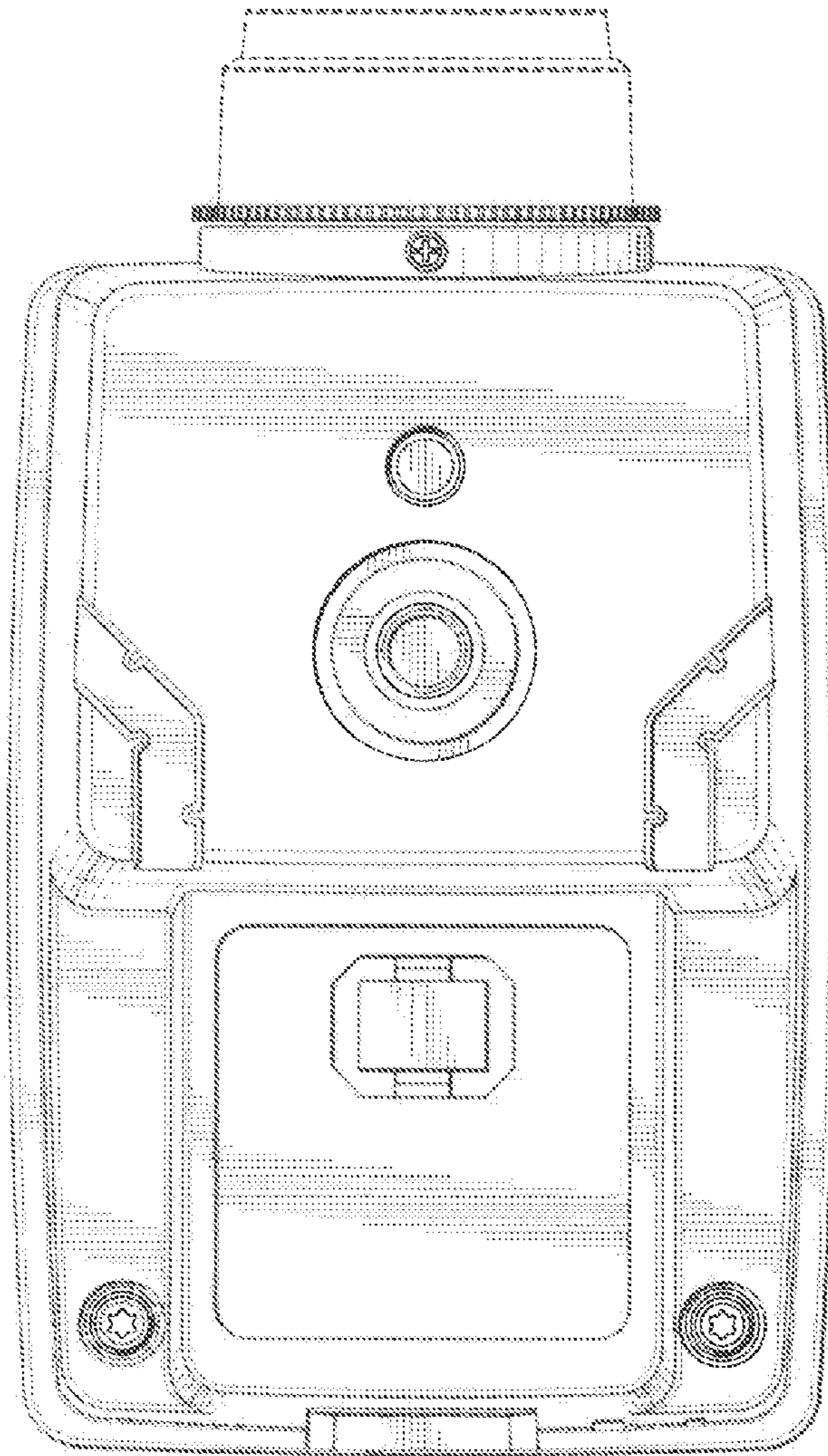


Fig. 4

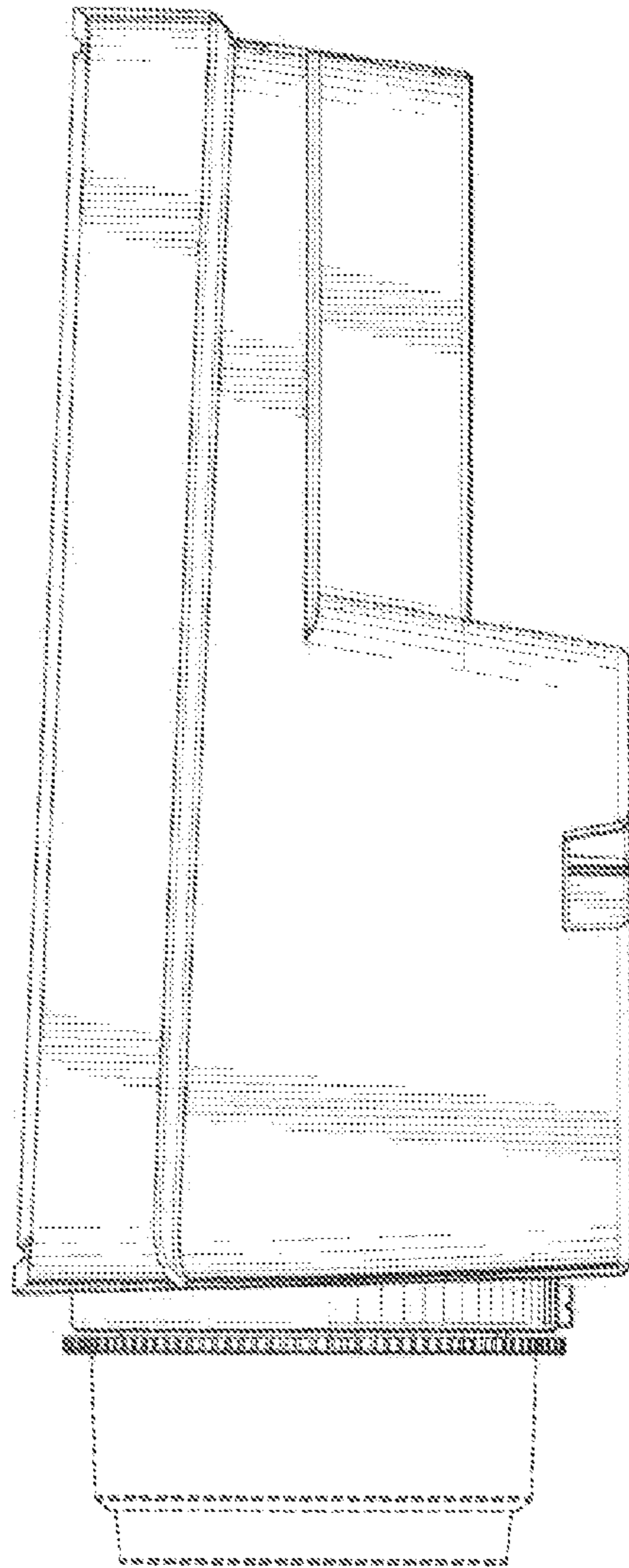


Fig. 5

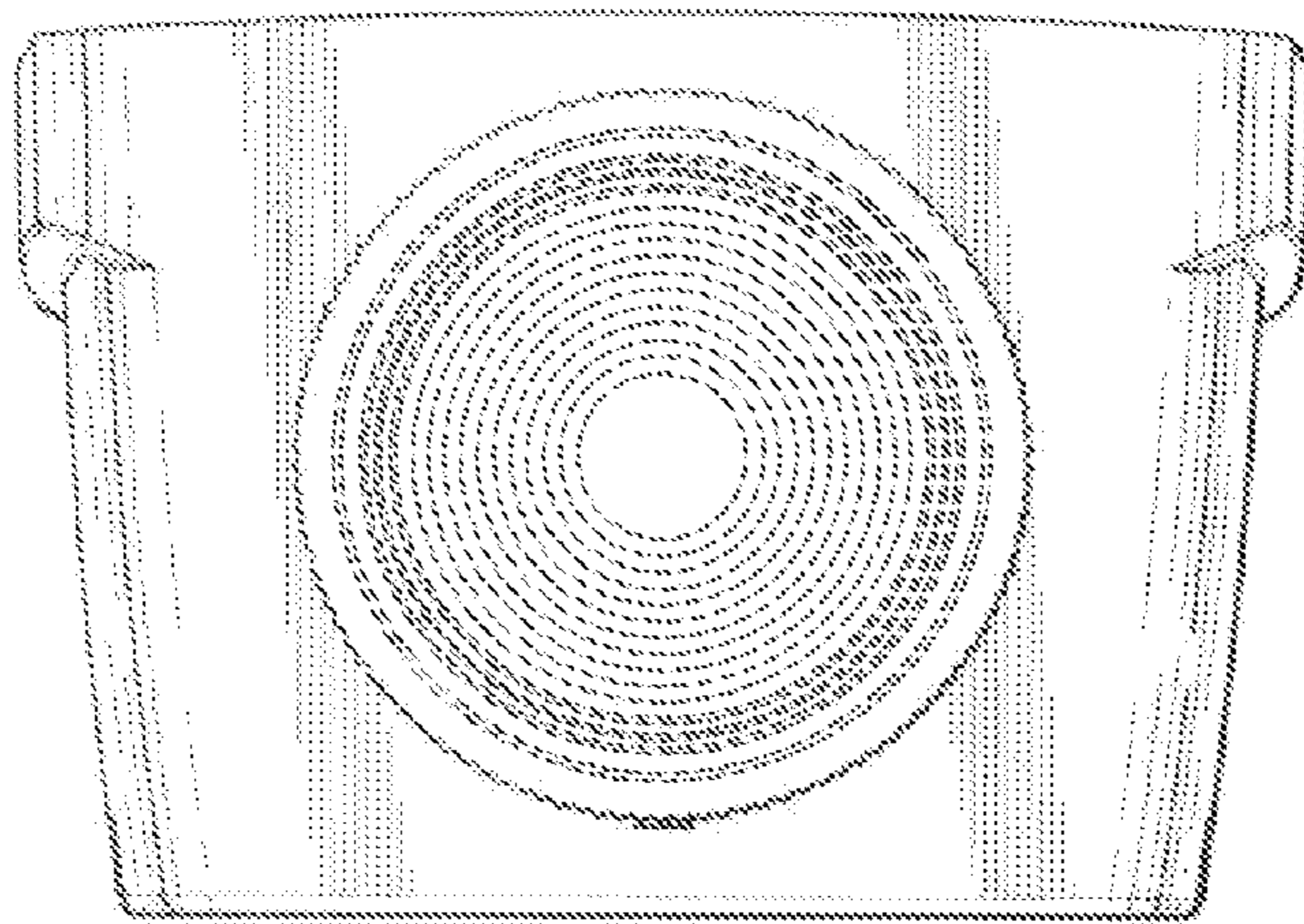


Fig. 6

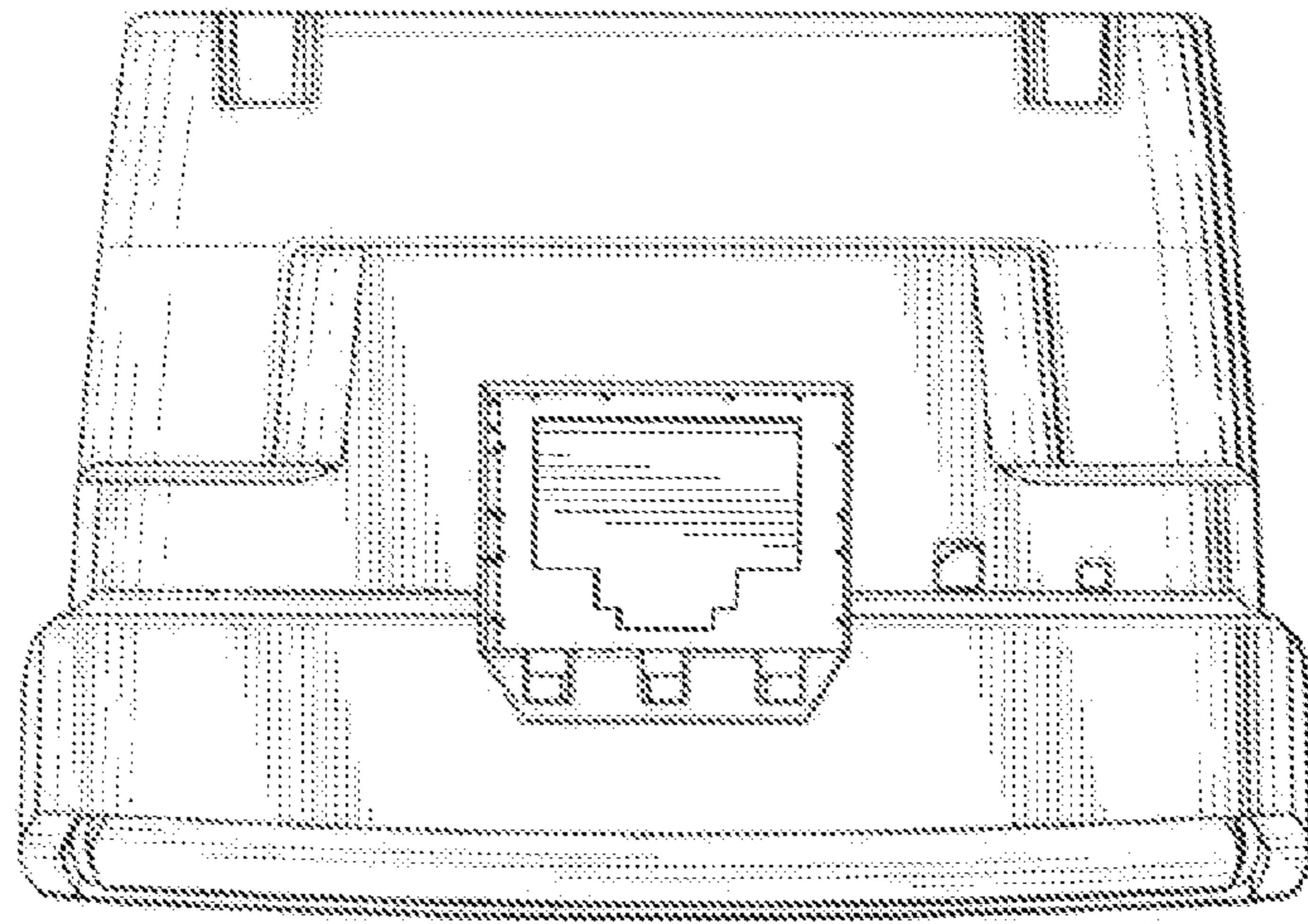


Fig. 7