



US00D643450S

(12) **United States Design Patent**
Verhoeven

(10) **Patent No.:** **US D643,450 S**

(45) **Date of Patent:** **** Aug. 16, 2011**

(54) **PACKAGING MACHINE**

(75) Inventor: **Stijn Antonius Petrus Verhoeven**, Bakel (NL)

(73) Assignee: **Fuji Seal International Inc.** (JP)

(**) Term: **14 Years**

(21) Appl. No.: **29/361,703**

(22) Filed: **May 13, 2010**

(51) **LOC (9) Cl.** **15-09**

(52) **U.S. Cl.** **D15/145**

(58) **Field of Classification Search** D15/122,
D15/145, 146; 53/167, 202, 203, 266.1,
53/279, 284.5, 285, 370.7, 370.9, 381.1,
53/426, 558, 563, 565; 100/4, 8, 25, 26,
100/29, 32; 493/184

See application file for complete search history.

(56) **References Cited**

U.S. PATENT DOCUMENTS

3,392,502	A *	7/1968	Berry	53/452
D301,890	S *	6/1989	Silbersky	D15/145
D372,487	S *	8/1996	Brewer et al.	D15/145
D543,222	S *	5/2007	Pester et al.	D15/145
D567,271	S *	4/2008	Vine	D15/145
2005/0066629	A1 *	3/2005	Taylor	53/551
2007/0119632	A1 *	5/2007	Noumi	177/58

* cited by examiner

Primary Examiner — Patricia Palasik

(74) *Attorney, Agent, or Firm* — Miller & Martin PLLC

(57) **CLAIM**

The ornamental design for the packaging machine, as shown and described.

DESCRIPTION

FIG. 1 is a top front perspective view of the packaging machine;

FIG. 2 is a top rear perspective view of the packaging machine shown in FIG. 1;

FIG. 3 is a front plan view of the packaging machine shown in FIG. 1;

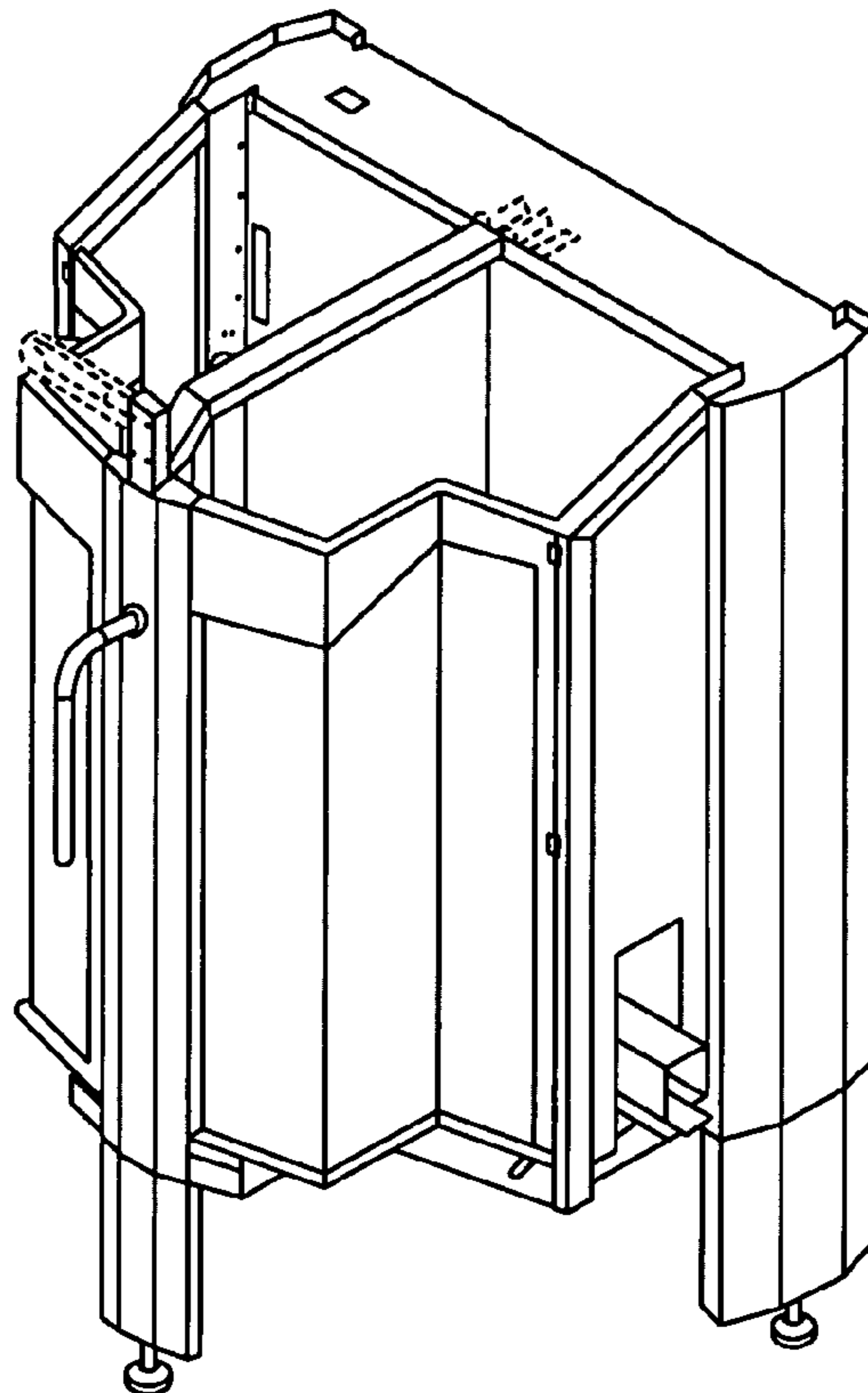
FIG. 4 is a left plan view of the packaging machine shown in FIG. 1;

FIG. 5 is a right plan view of the packaging machine shown in FIG. 1; and,

FIG. 6 is a top plan view of the packaging machine shown in FIG. 1.

The broken lines are included in FIG. 1 through 6 for the purpose of illustrating portions of the packaging machine that form no part of the claimed design.

1 Claim, 3 Drawing Sheets



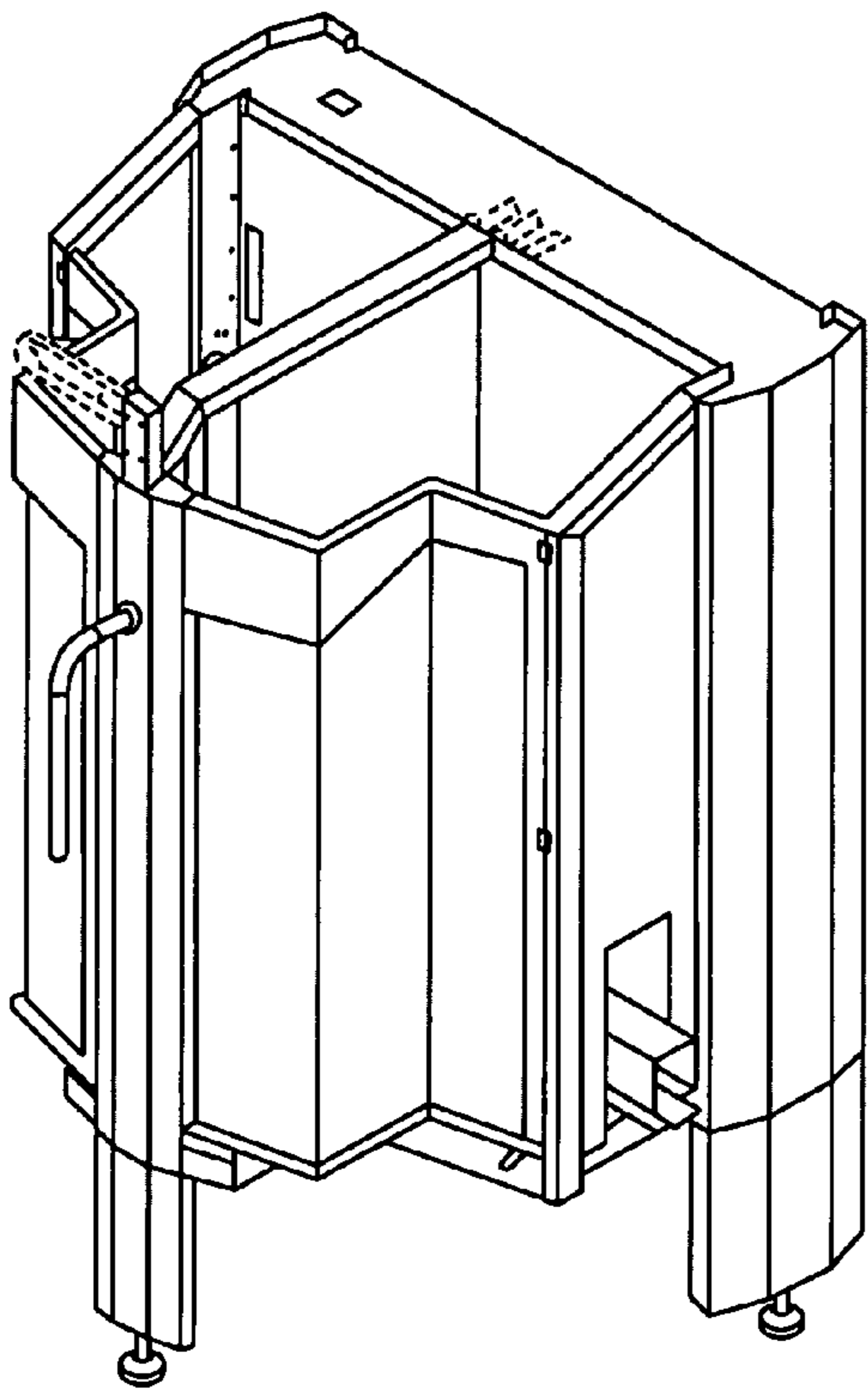


FIG. 1

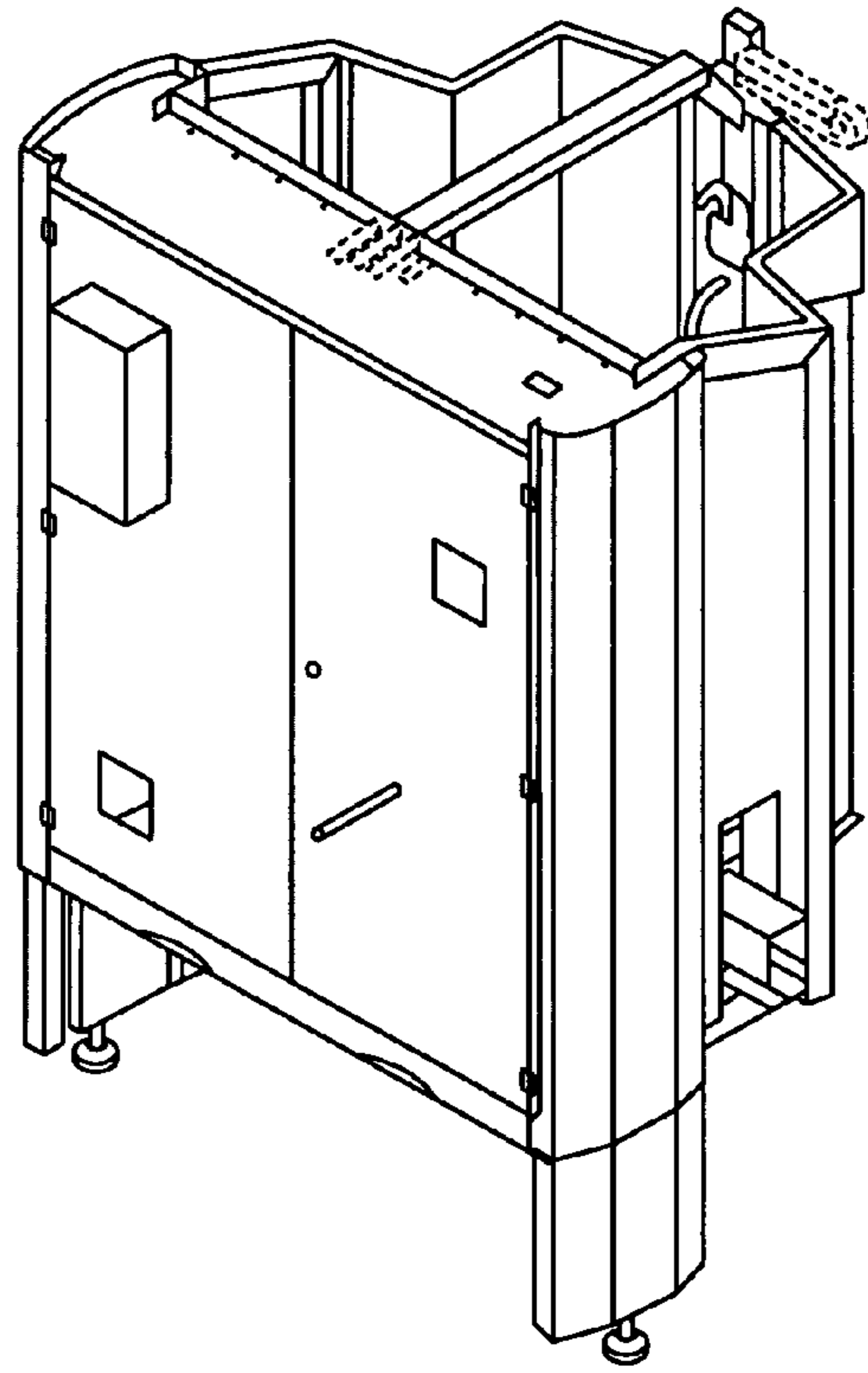


FIG. 2

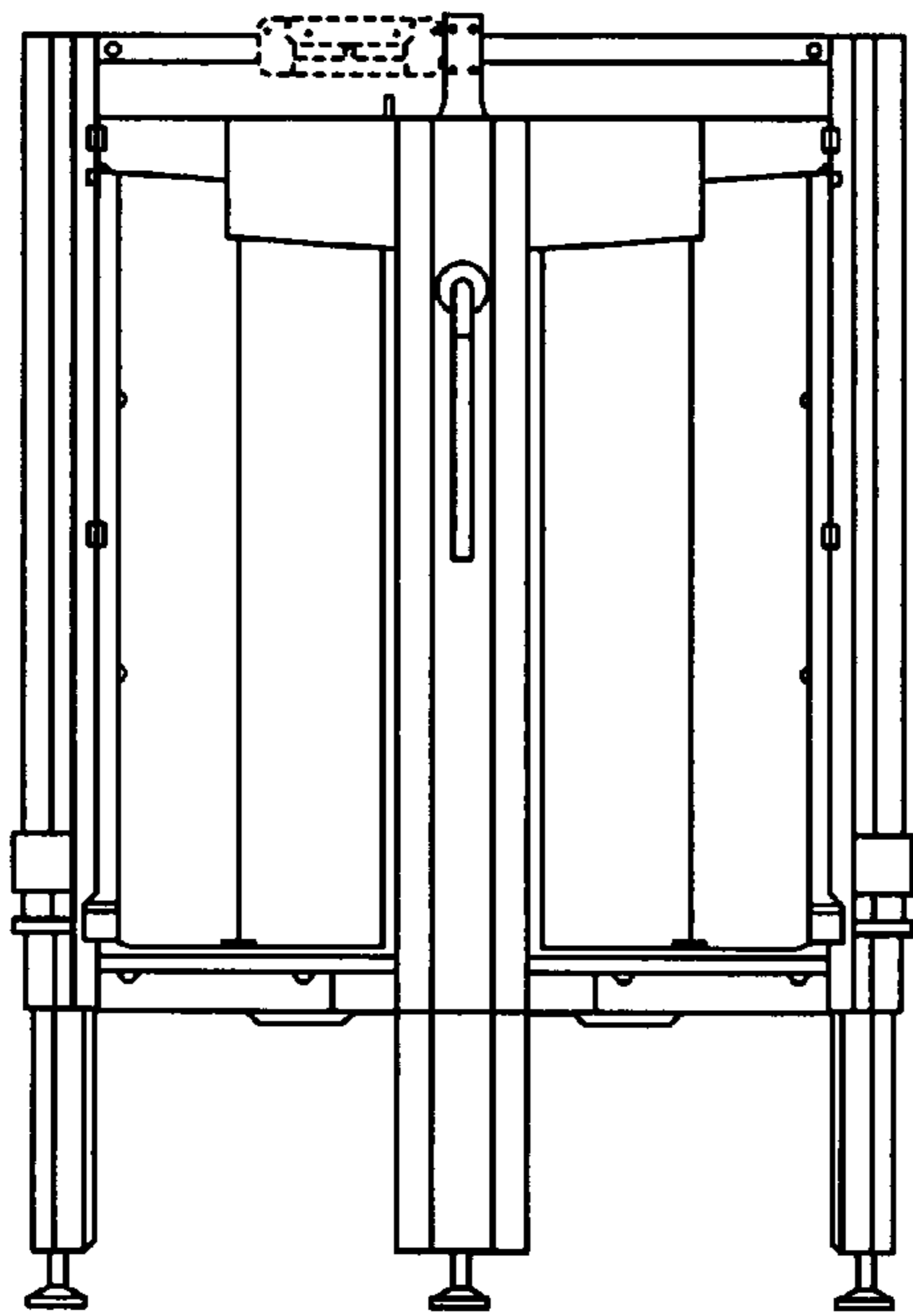


FIG. 3

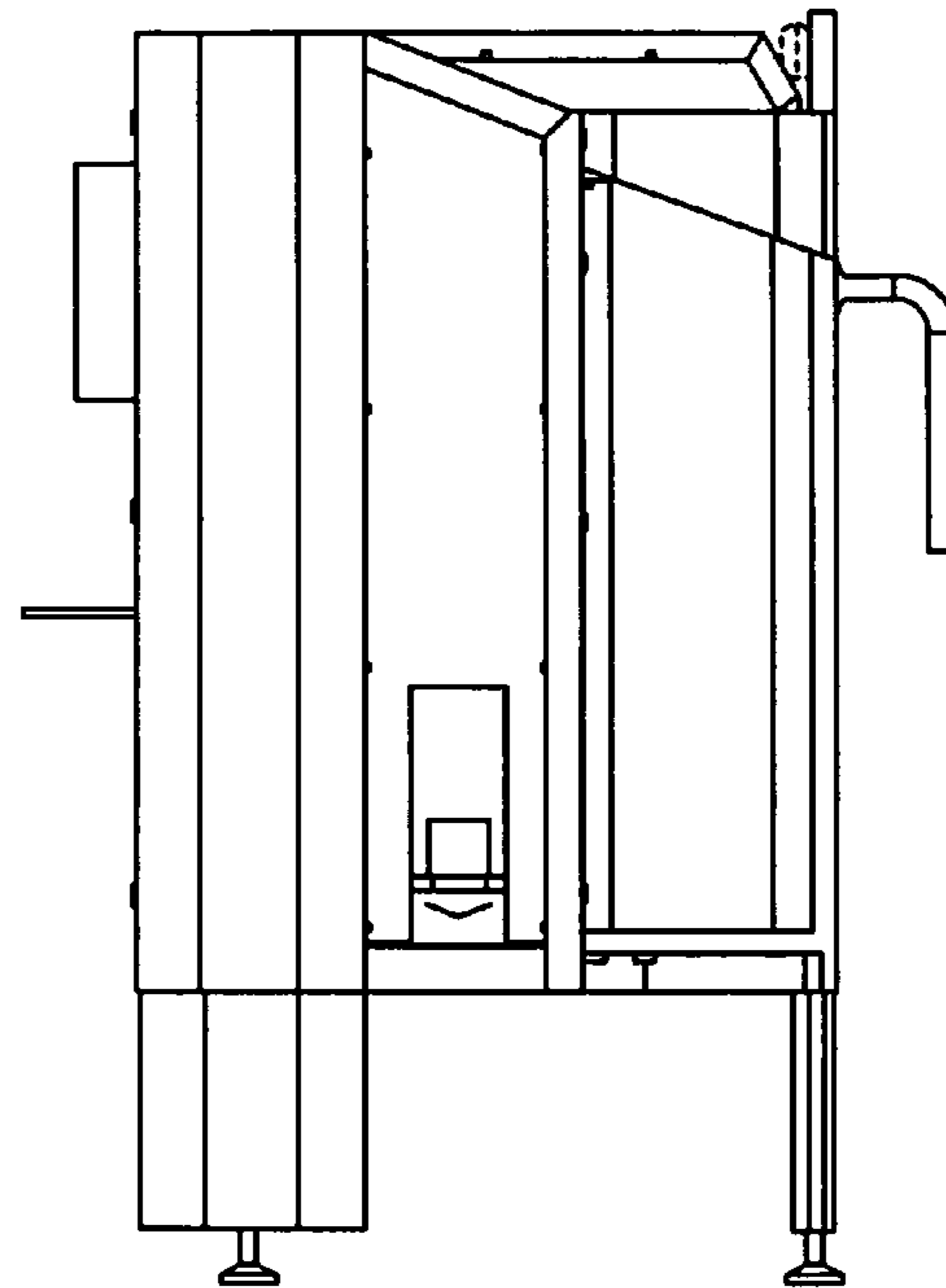


FIG. 4

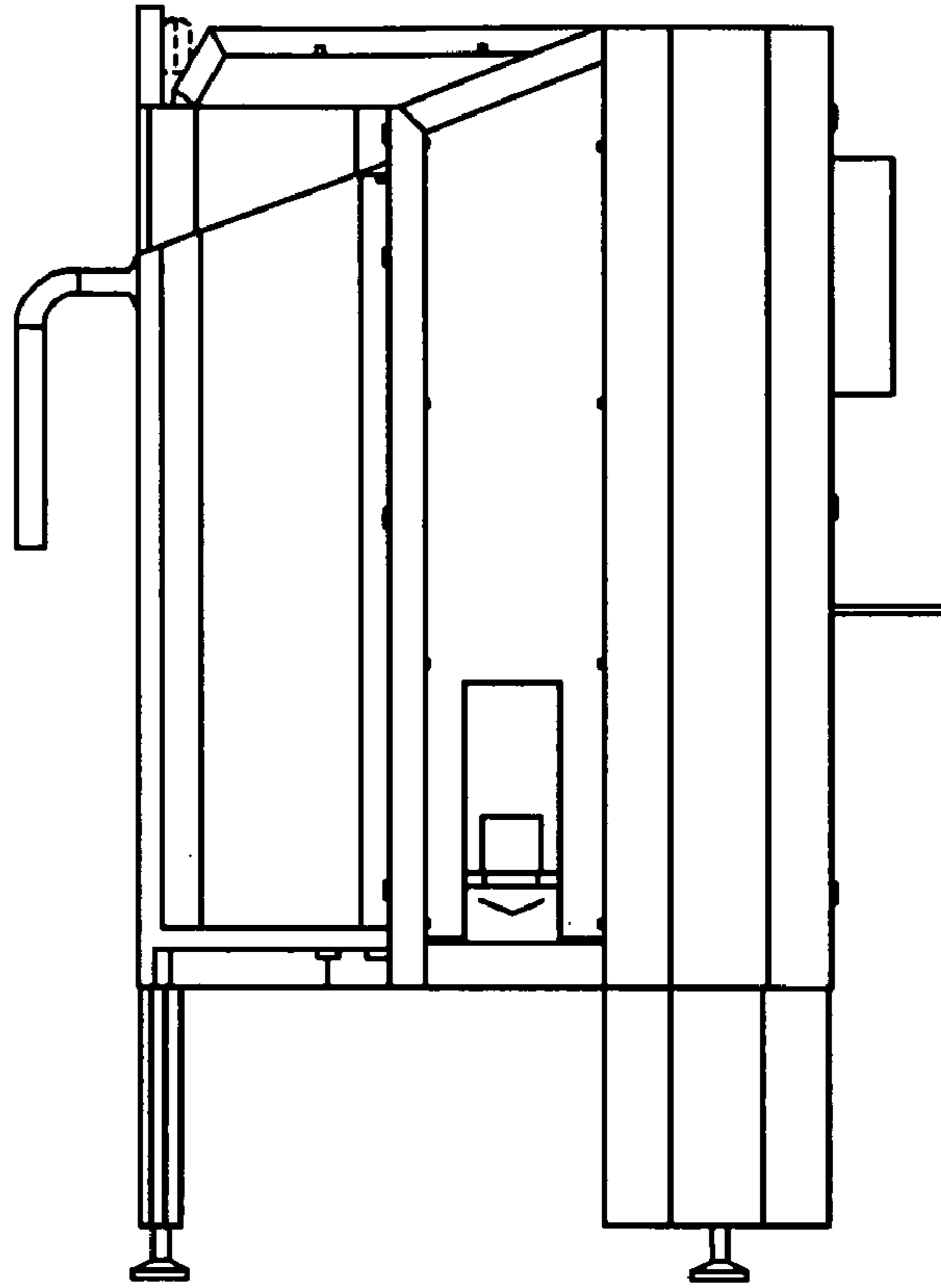


FIG. 5

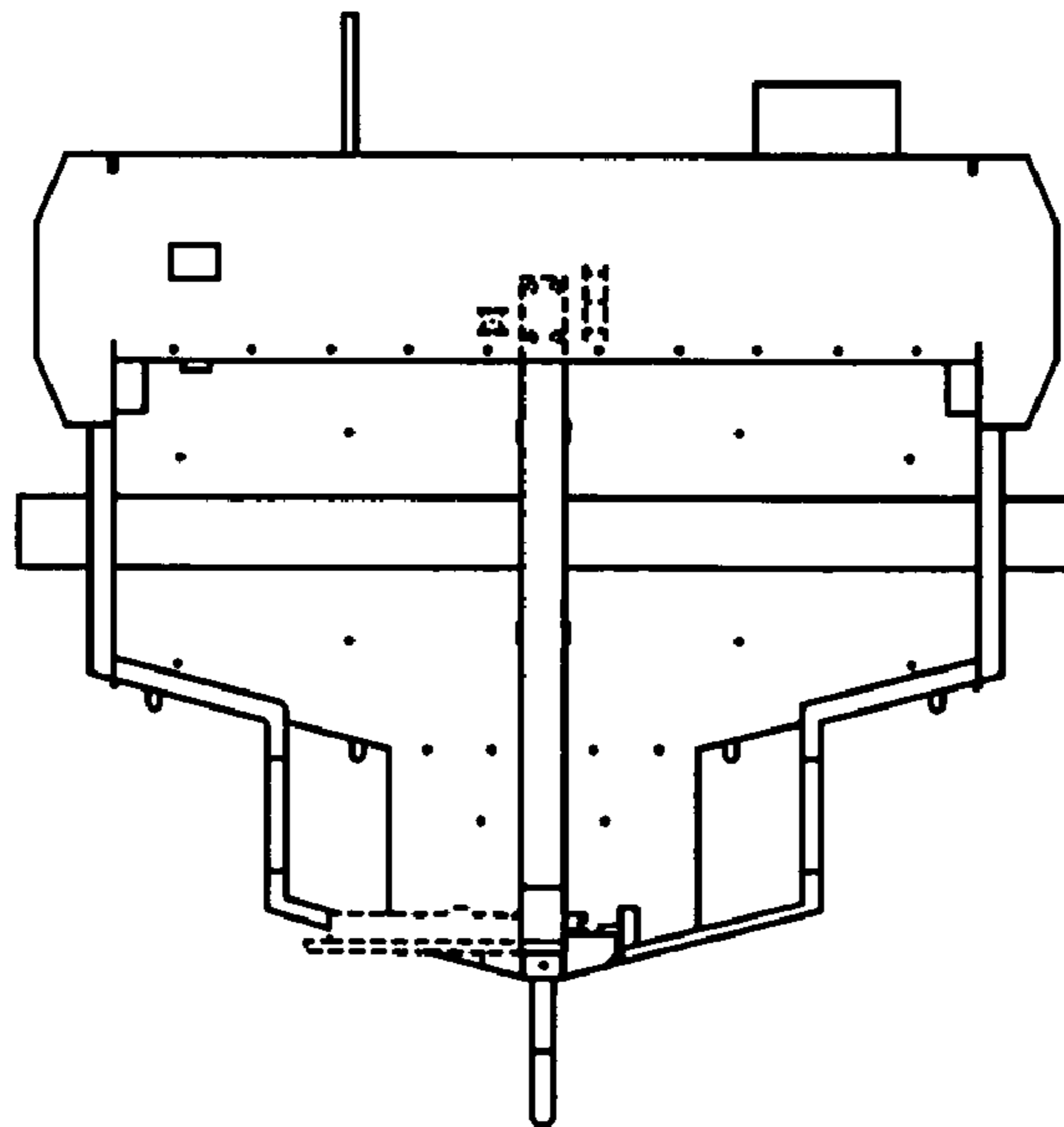


FIG. 6

UNITED STATES PATENT AND TRADEMARK OFFICE
CERTIFICATE OF CORRECTION

PATENT NO. : D643,450 S
APPLICATION NO. : 29/361703
DATED : August 16, 2011
INVENTOR(S) : Stijn Antonius Petrus Verhoeven

Page 1 of 1

It is certified that error appears in the above-identified patent and that said Letters Patent is hereby corrected as shown below:

Title Page Insert

--(30) Foreign Application Priority Data

European (EU) Office for Harmonization Application No. 001637471-0001, filed 11/18/2009.--

Signed and Sealed this
Twenty-seventh Day of March, 2012



David J. Kappos
Director of the United States Patent and Trademark Office