



US00D643449S

(12) **United States Design Patent**
Lan

(10) **Patent No.:** **US D643,449 S**

(45) **Date of Patent:** **** Aug. 16, 2011**

(54) **MOTOR DEVICE**

(75) **Inventor:** **Hung-Wei Lan**, New Taipei (TW)

(73) **Assignee:** **Timotion Technology Co., Ltd.**, Taipei (TW)

(**) **Term:** **14 Years**

(21) **Appl. No.:** **29/391,811**

(22) **Filed:** **May 13, 2011**

(51) **LOC (9) Cl.** **15-09**

(52) **U.S. Cl.** **D15/143**

(58) **Field of Classification Search** D7/338,
D7/339, 402, 407; D13/110, 112, 114, 184,
D13/199; D15/1, 5, 143, 148, 149, 199;
49/25, 26, 197-206; 74/89.22; 99/341, 420,
99/421, 427; 126/273.5; 160/188-201; 192/150;
310/37, 66, 89, 273

See application file for complete search history.

(56) **References Cited**

U.S. PATENT DOCUMENTS

5,573,091	A	*	11/1996	Hung	192/12 R
D400,220	S	*	10/1998	Nemoto et al.	D15/148
D440,995	S	*	4/2001	Tsergas et al.	D15/148
D467,258	S	*	12/2002	Tsergas	D15/148

D469,114	S	*	1/2003	Coullahan et al.	D15/148
6,595,569	B1	*	7/2003	McKinney	296/51
D492,333	S	*	6/2004	Guzman et al.	D15/148
D519,138	S	*	4/2006	Guzman et al.	D15/148
D546,352	S	*	7/2007	Tsou et al.	D15/143
D571,384	S	*	6/2008	Van Der Pols	D15/199
D581,437	S	*	11/2008	Randazzo et al.	D15/148

* cited by examiner

Primary Examiner — Patricia Palasik

(74) *Attorney, Agent, or Firm* — Chun-Ming Shih; HDLS IPR Services

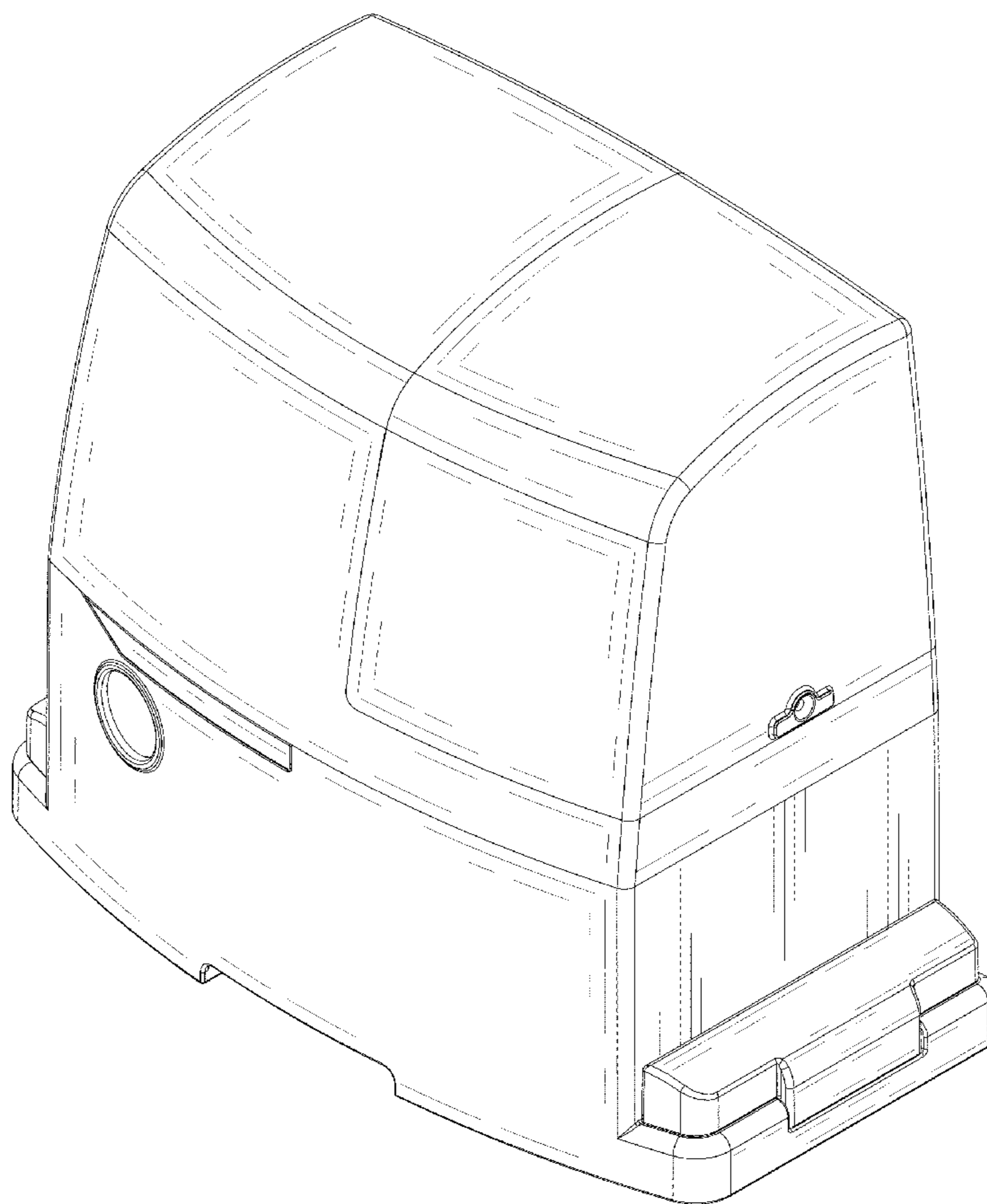
(57) **CLAIM**

The ornamental design for a motor device, as shown and described.

DESCRIPTION

FIG. 1 is a perspective view of a motor device showing my new design;
FIG. 2 is a front view thereof;
FIG. 3 is a rear view thereof;
FIG. 4 is a left side view thereof;
FIG. 5 is a right side view thereof;
FIG. 6 is a top view thereof;
FIG. 7 is a bottom view thereof; and,
FIG. 8 is another perspective view showing the motor device.

1 Claim, 8 Drawing Sheets



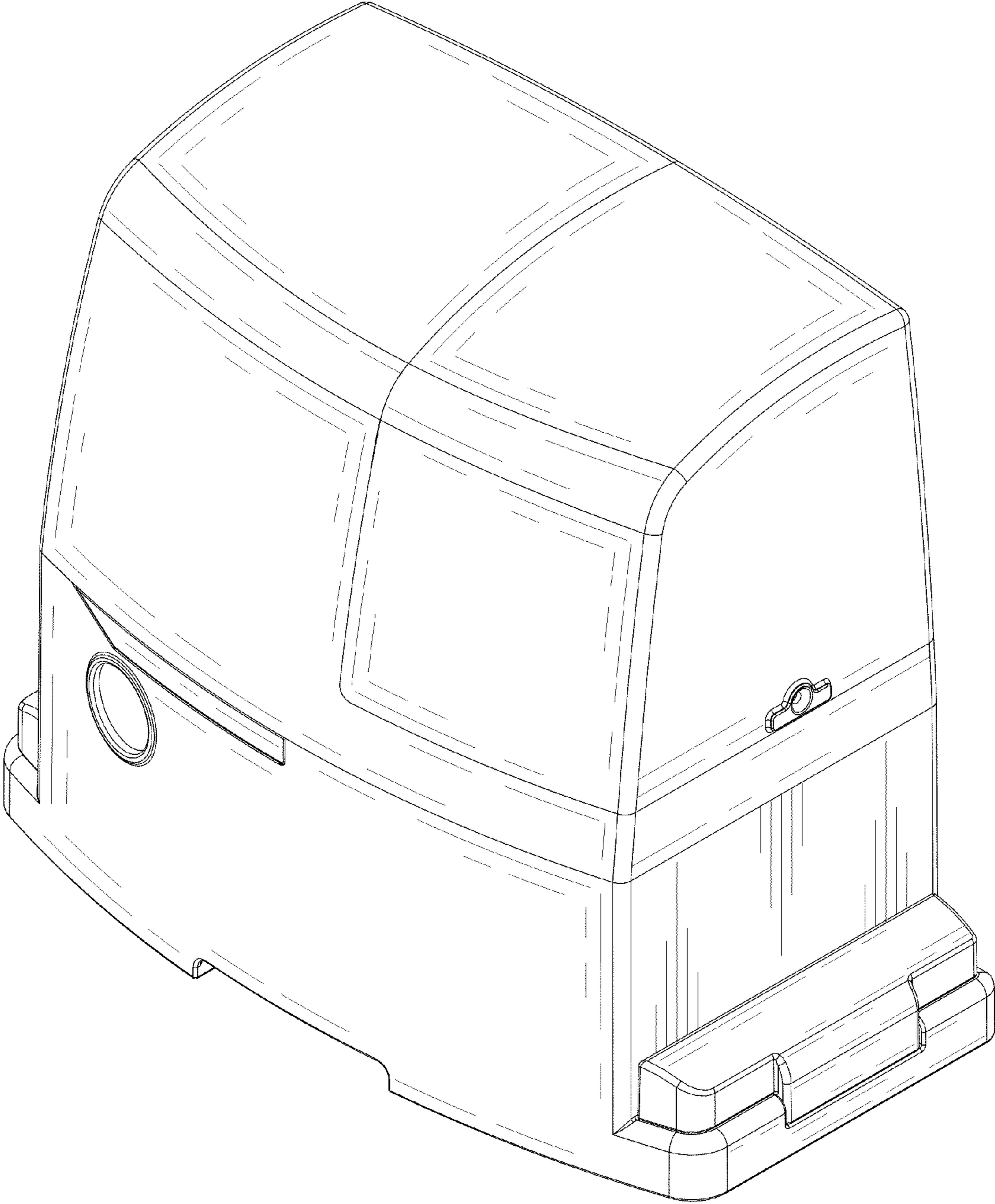


FIG.1

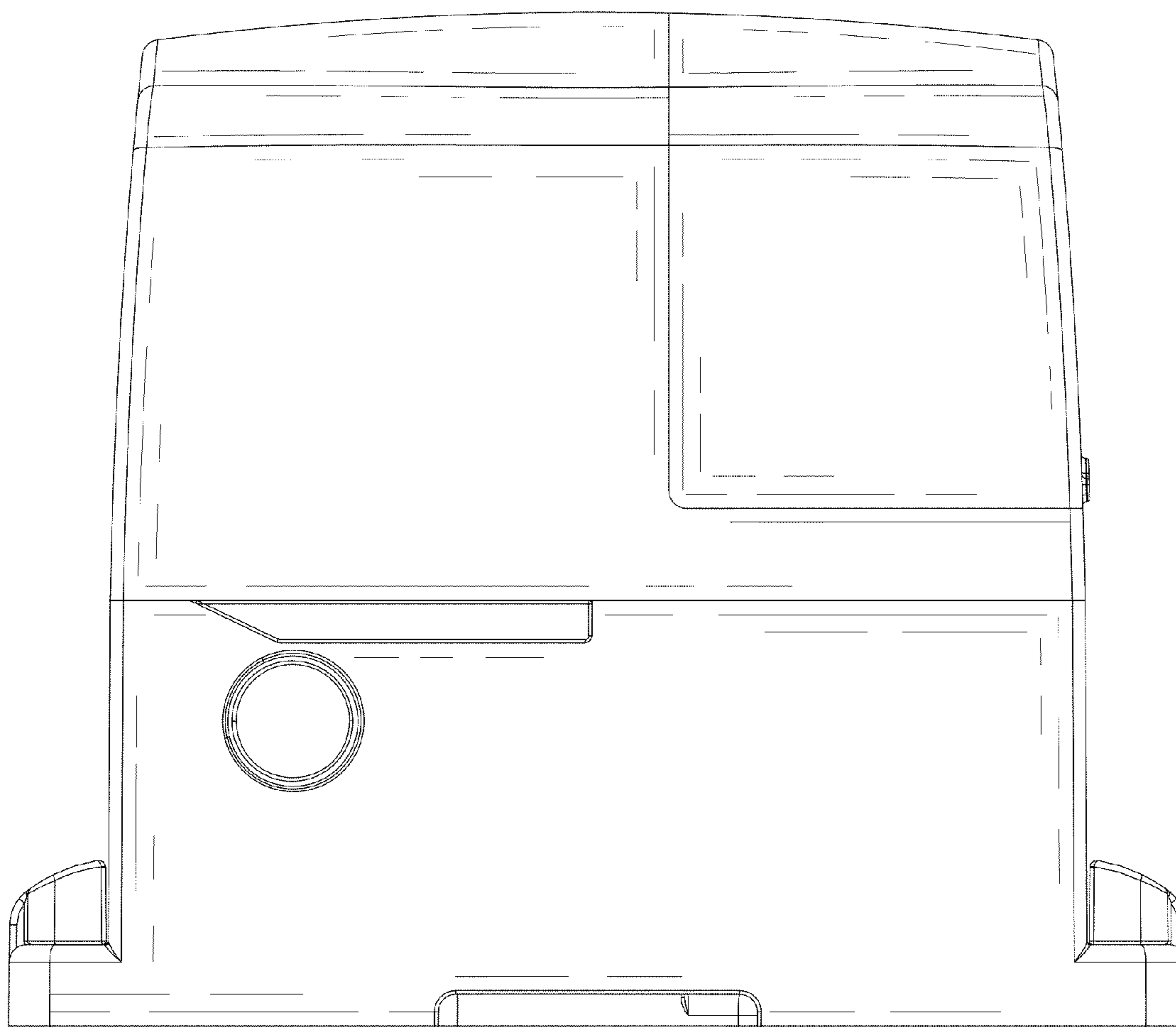


FIG.2

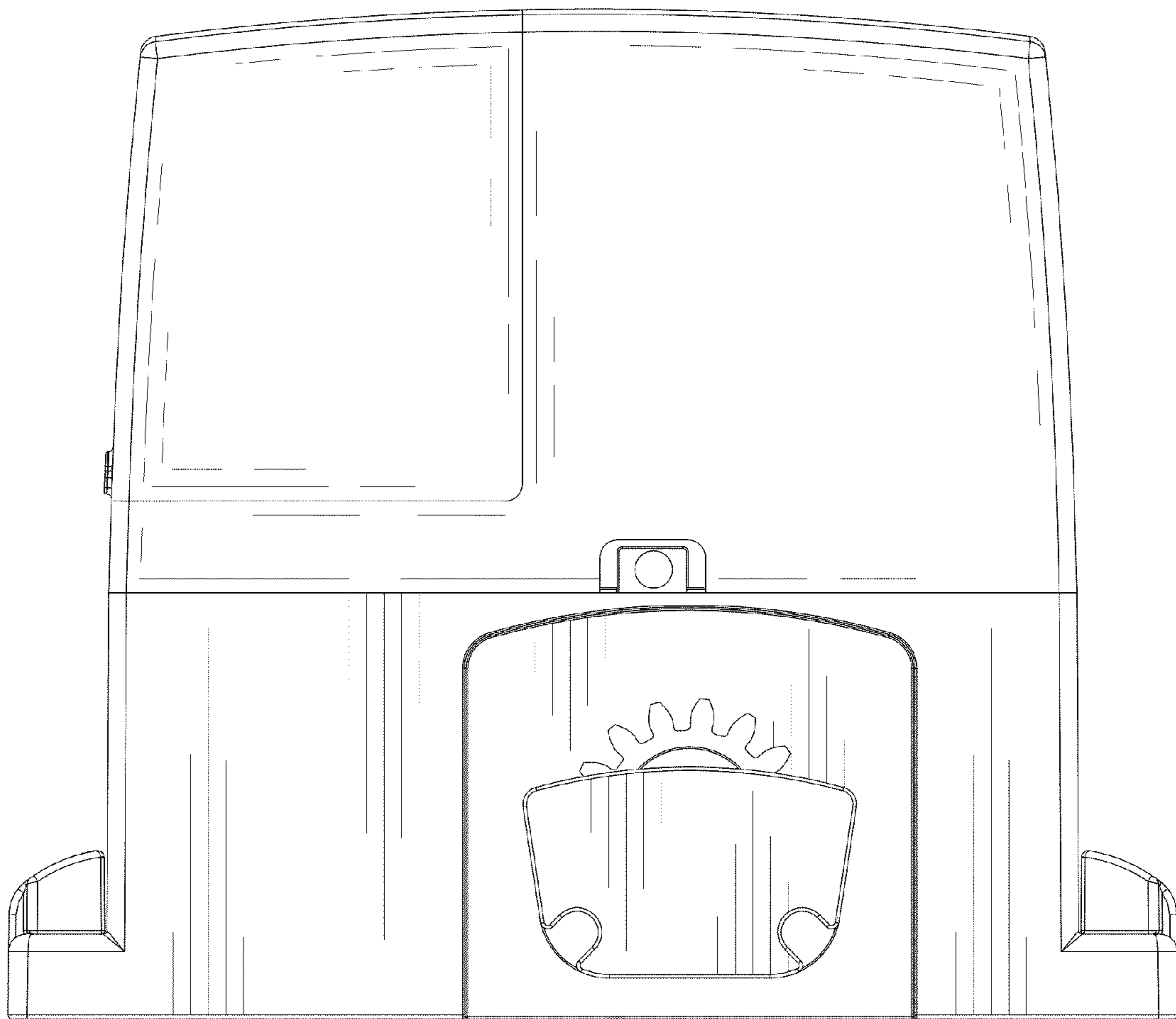


FIG.3

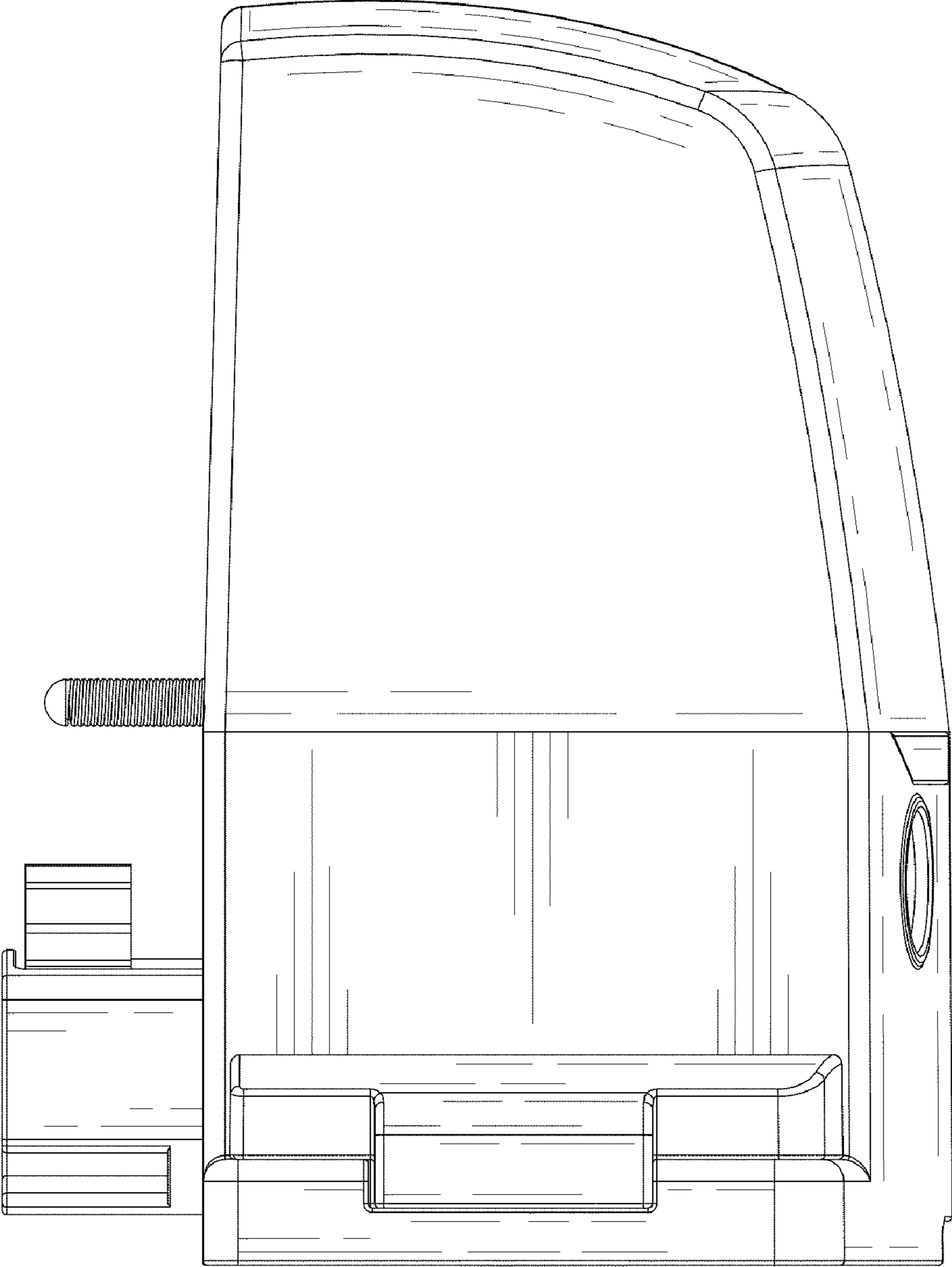


FIG.4

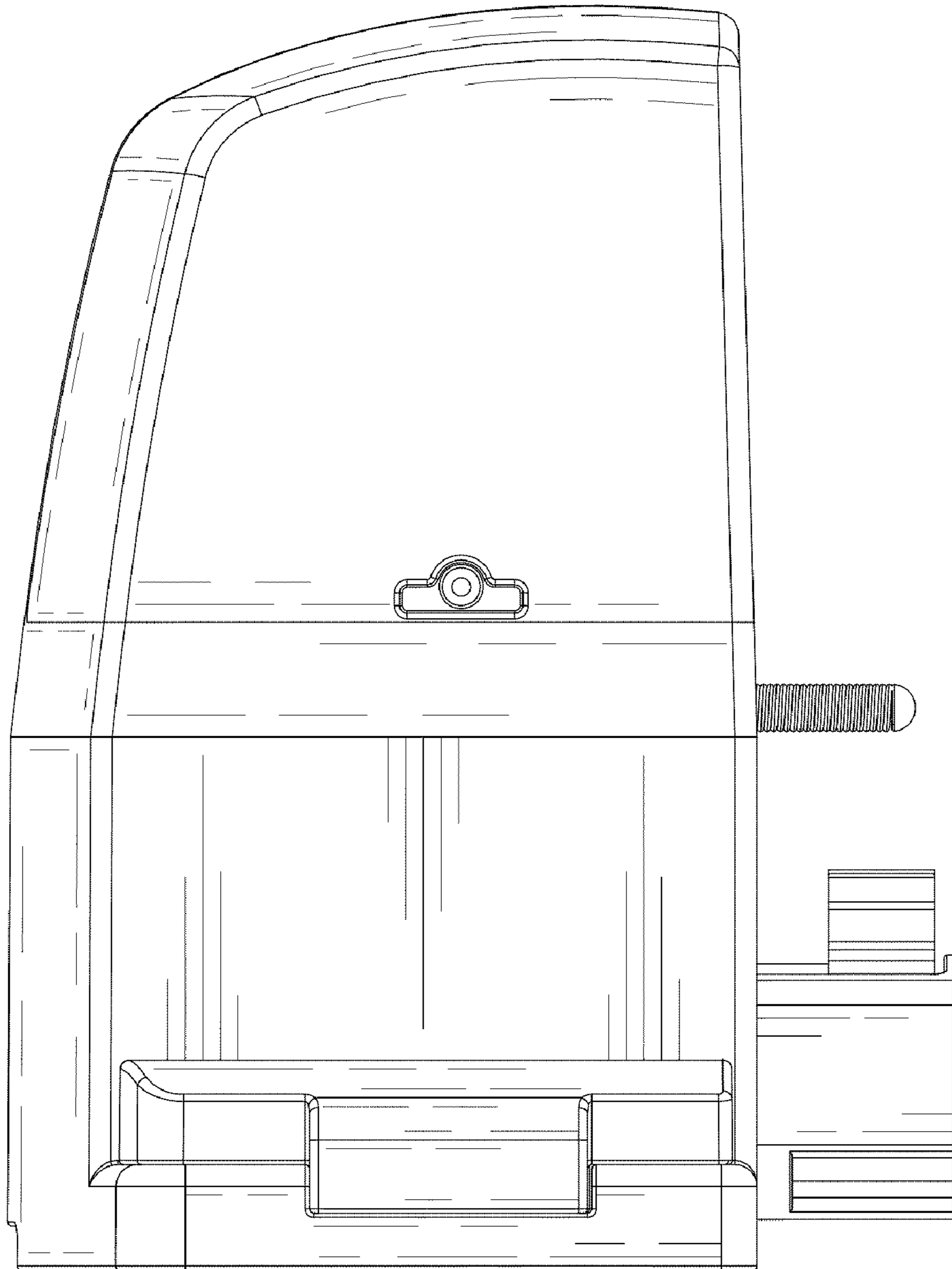


FIG. 5

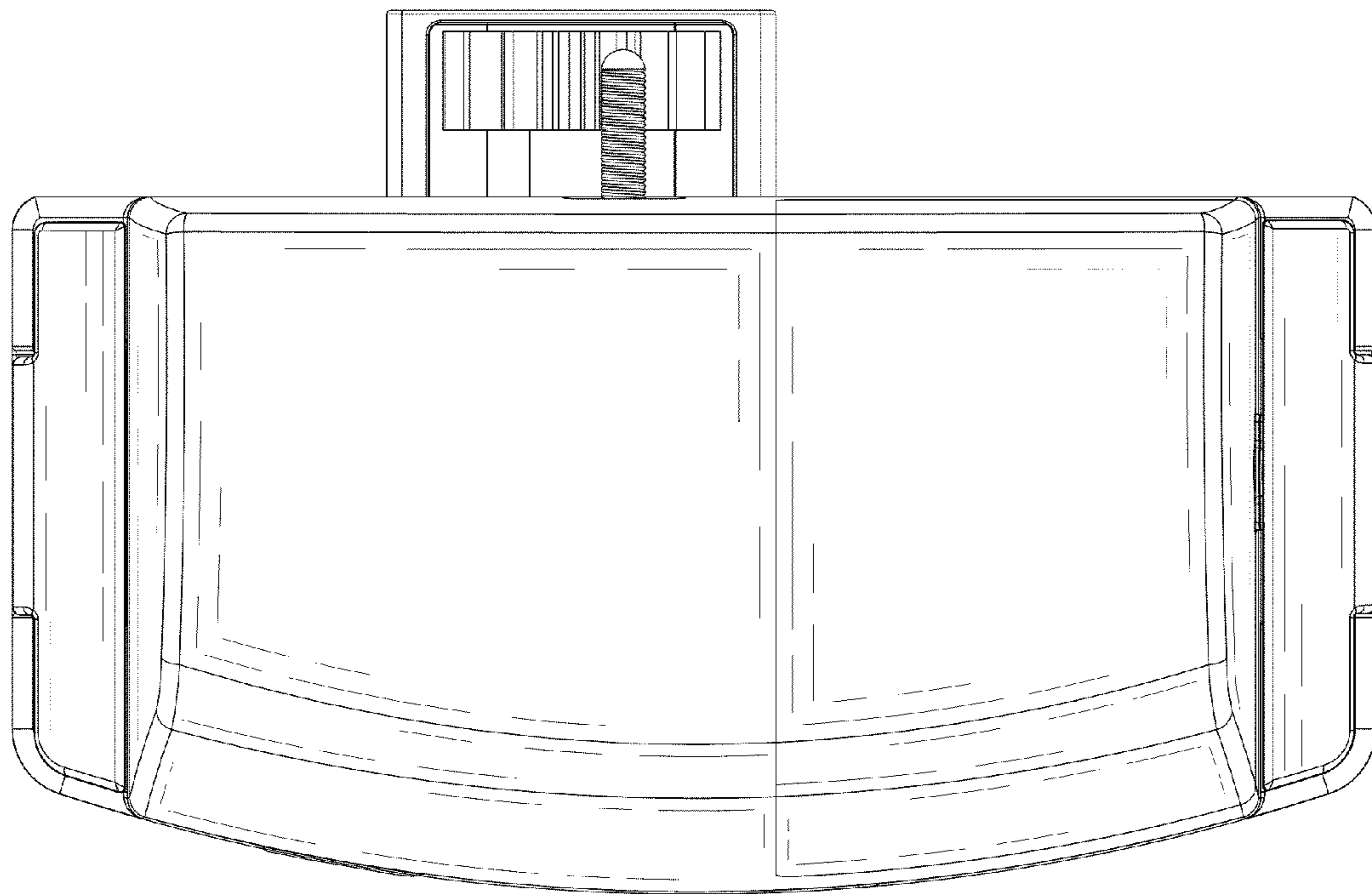


FIG.6

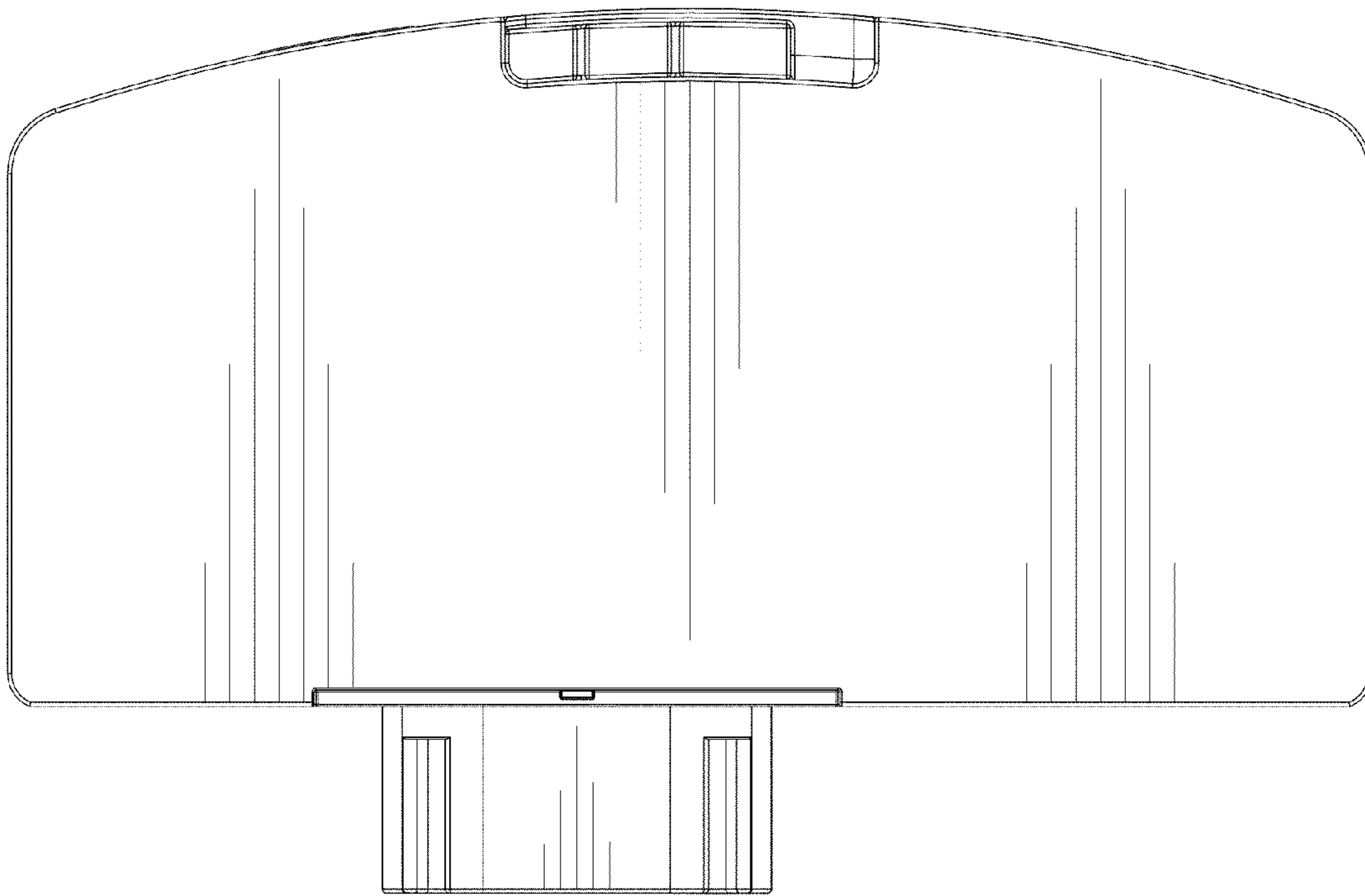


FIG.7

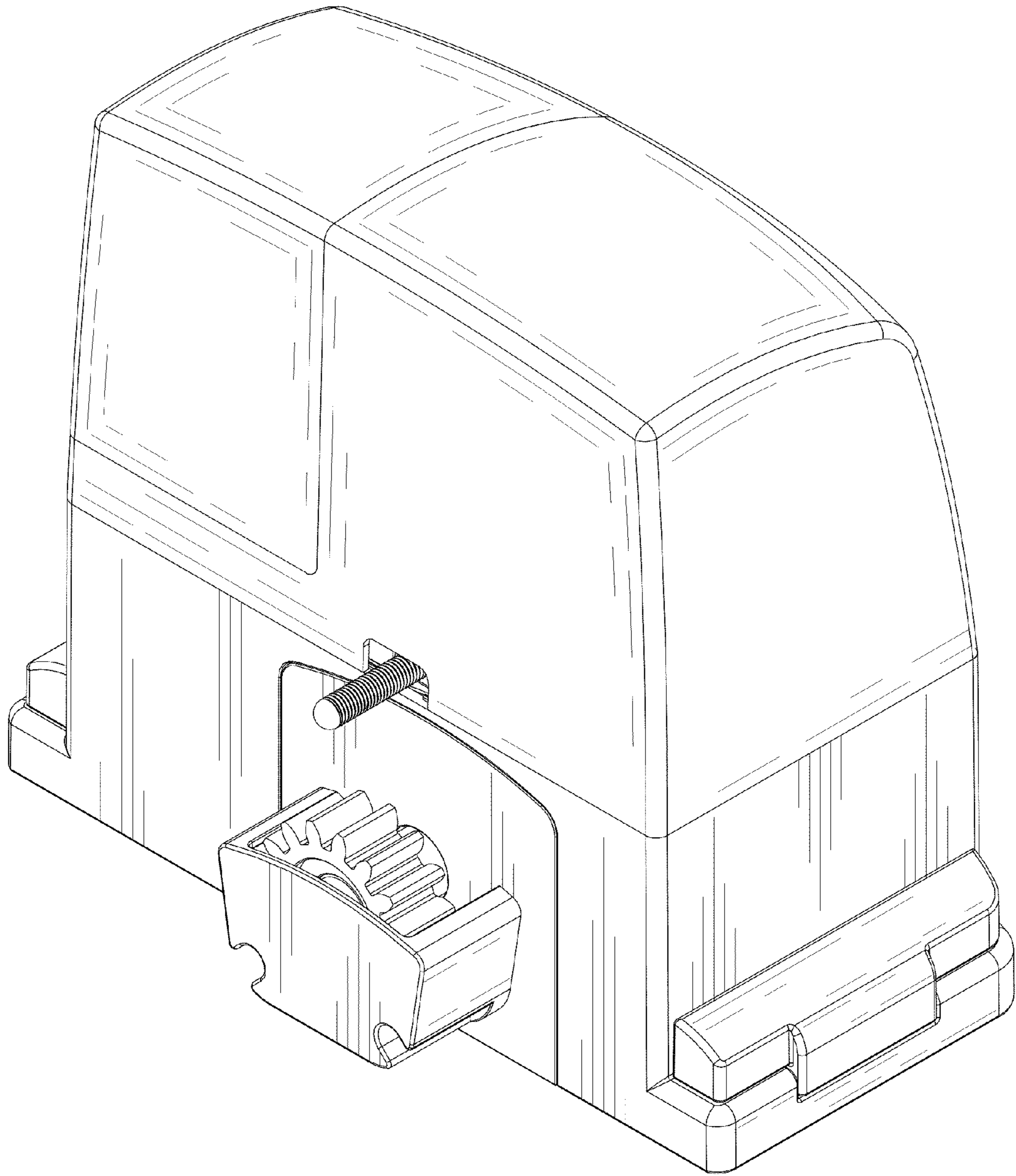


FIG.8