

US00D643447S

(12) **United States Design Patent**
Barnes et al.

(10) **Patent No.:** **US D643,447 S**

(45) **Date of Patent:** **** Aug. 16, 2011**

(54) **CUTTING BELT**

(75) Inventors: **Ken Barnes**, Bedford, IN (US); **Larry Lee**, Oolitic, IN (US)

(73) Assignee: **ALSA, LLC**, Bedford, IN (US)

(**) Term: **14 Years**

(21) Appl. No.: **29/380,382**

(22) Filed: **Dec. 3, 2010**

(51) **LOC (9) Cl.** **15-09**

(52) **U.S. Cl.** **D15/139; D15/126**

(58) **Field of Classification Search** D15/126,
D15/139; D8/70, 65; 125/21; 451/298;
83/34, 53, 48, 636; 51/309

See application file for complete search history.

(56) **References Cited**

U.S. PATENT DOCUMENTS

1,043,433	A	11/1912	Jackson	
2,362,979	A	11/1944	Anderson	
3,672,881	A	6/1972	Sowko, Sr.	
4,097,246	A	6/1978	Olson	
4,603,678	A	8/1986	Fish	
4,679,541	A	7/1987	Fish	
4,702,867	A *	10/1987	Sejimo et al.	264/474
4,758,107	A	7/1988	Sakai	
4,856,490	A	8/1989	Kawase	
4,907,564	A *	3/1990	Sowa et al.	125/21
4,945,889	A	8/1990	Fish	
4,971,022	A	11/1990	Scott	
5,181,503	A	1/1993	Fish et al.	
5,305,730	A	4/1994	Fish	
5,630,500	A	5/1997	Conrad	
5,718,216	A *	2/1998	Plattner	125/21
5,749,775	A	5/1998	Fish	
5,891,206	A	4/1999	Ellingson	
6,021,773	A	2/2000	Svensson	
6,102,789	A	8/2000	Ramanath	
6,112,739	A	9/2000	Hoerner	

6,178,960	B1 *	1/2001	Svensson	125/21
6,283,112	B1	9/2001	Berglund	
D456,425	S *	4/2002	Kim	D15/139
D491,205	S *	6/2004	Bailey	D15/139
D533,203	S *	12/2006	Tsukamoto et al.	D15/139
D534,933	S *	1/2007	Tsukamoto et al.	D15/139
2004/0134478	A1 *	7/2004	Bailey	125/21
2010/0071681	A1	3/2010	Bade	

FOREIGN PATENT DOCUMENTS

DE	2154428	5/1973
EP	0014776	9/1980
EP	0358112	3/1990
EP	0527344	2/1993
FR	1241807	8/1960
SU	0419402	8/1974

OTHER PUBLICATIONS

WF Meyers Company, Inc. Brochure—Meyers Narrow Belt Block Saw.

* cited by examiner

Primary Examiner — Austin Murphy

(74) *Attorney, Agent, or Firm* — Overhauser Law Offices, LLC

(57) **CLAIM**

The ornamental design for a cutting belt, as shown and described.

DESCRIPTION

FIG. 1 is a bottom perspective view of a cutting belt according to our design;

FIG. 2 is a top perspective view thereof;

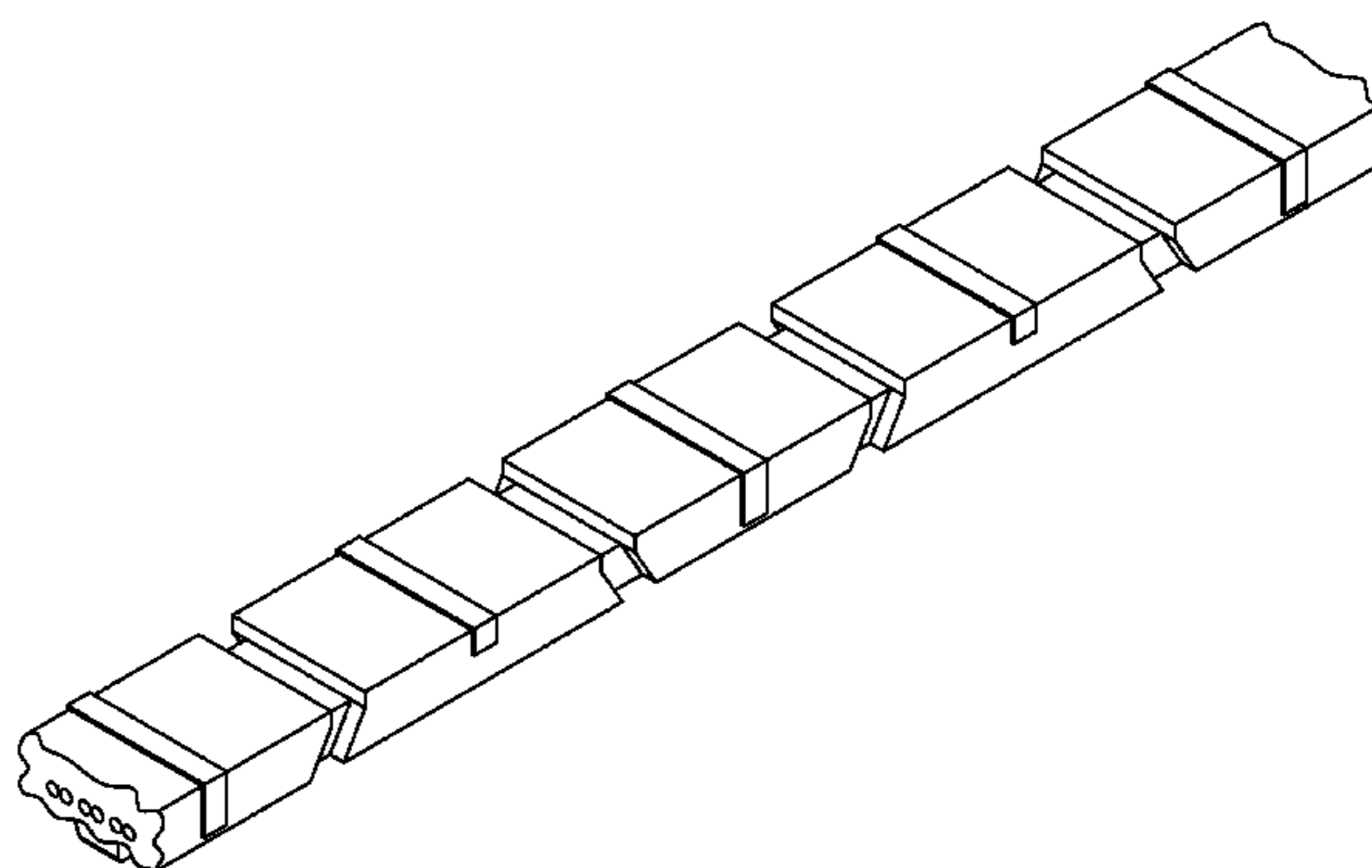
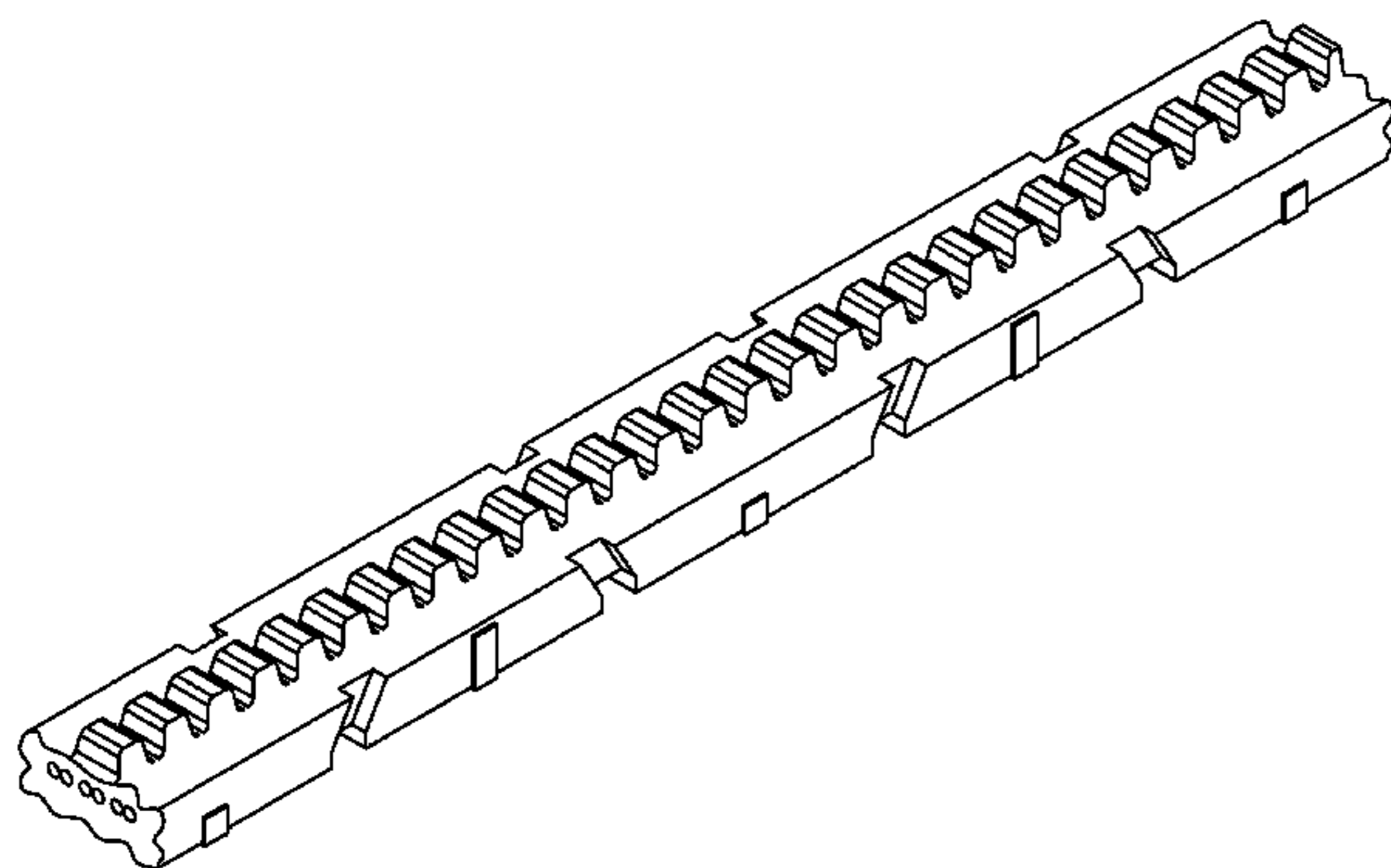
FIG. 3 is a side view thereof;

FIG. 4 is a side view thereof, illustrated from the side opposite that of FIG. 3;

FIG. 5 is a bottom view thereof; and,

FIG. 6 is a top view thereof.

1 Claim, 4 Drawing Sheets



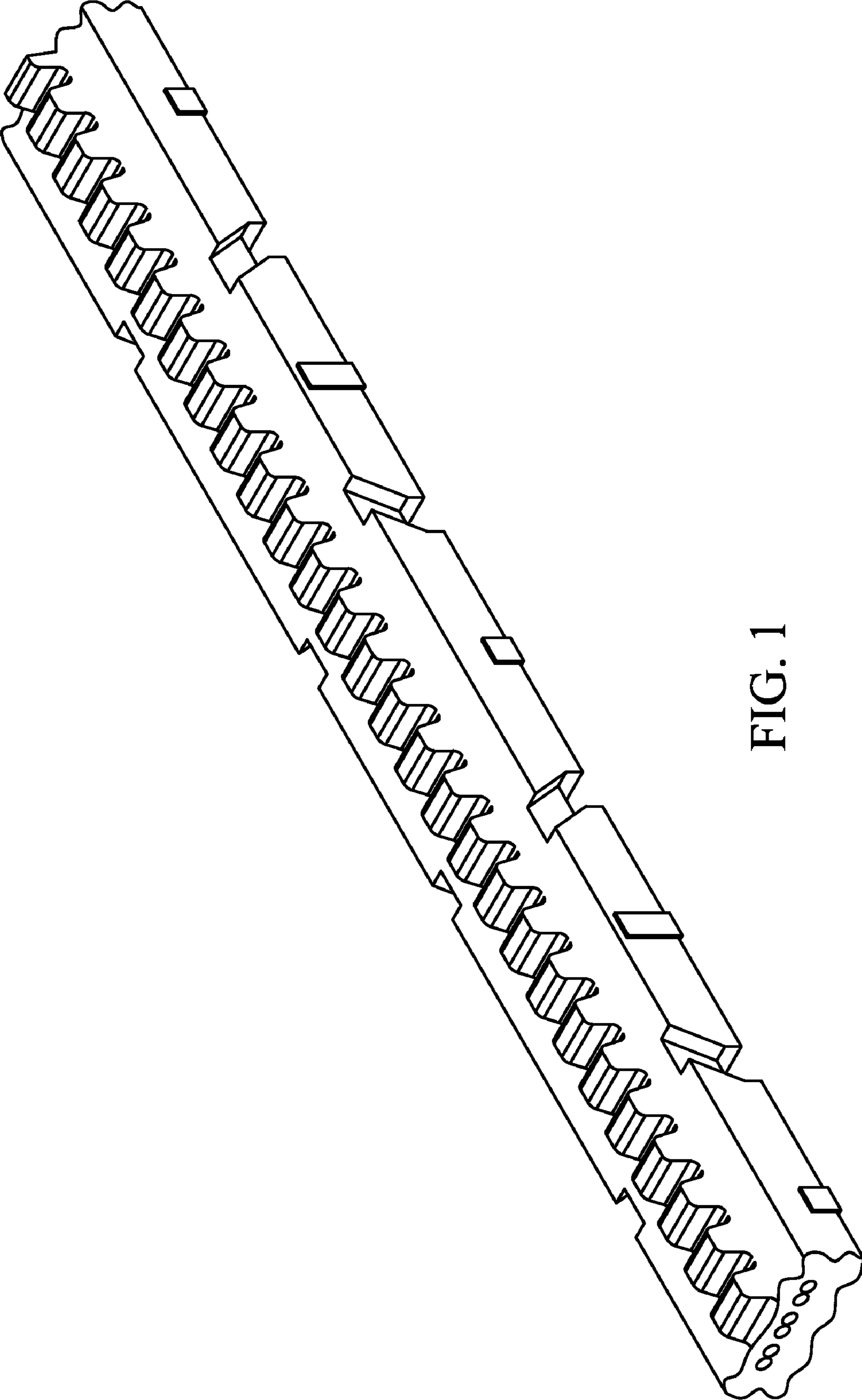


FIG. 1

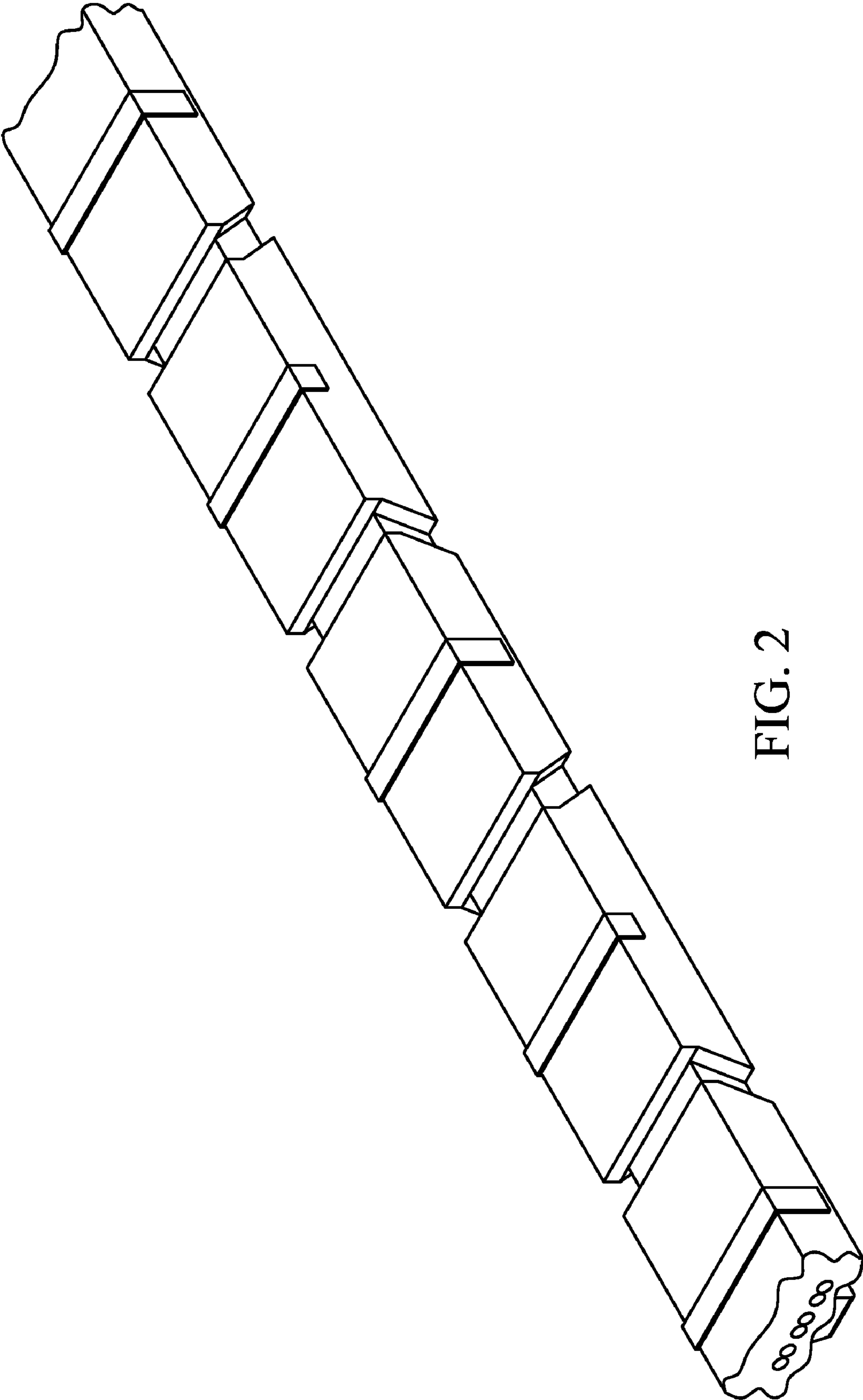


FIG. 2

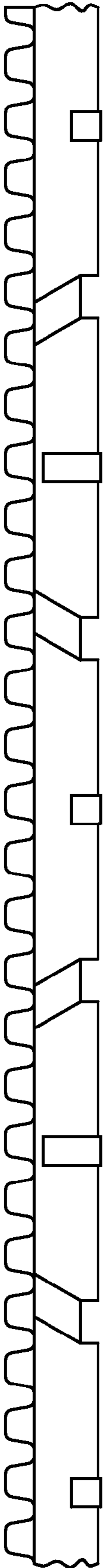


FIG. 3

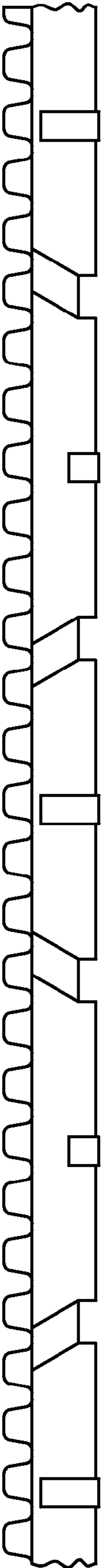


FIG. 4

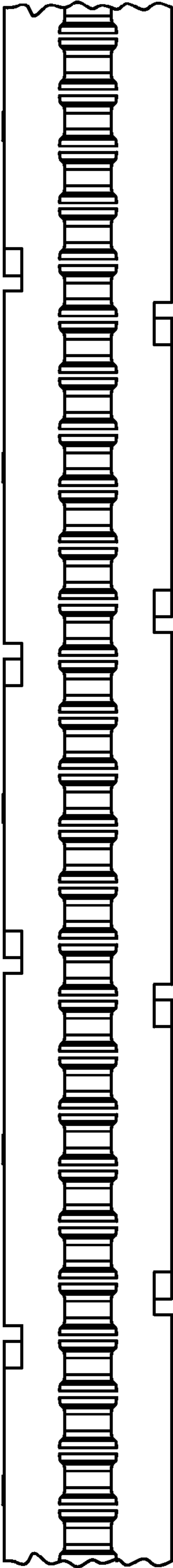


FIG. 5



FIG. 6