



US00D643446S

(12) **United States Design Patent**
Gupta et al.

(10) **Patent No.:** **US D643,446 S**

(45) **Date of Patent:** **** Aug. 16, 2011**

(54) **DAPPING AND BENCH BLOCK**

(75) Inventors: **Nikhil Gupta**, Schaumburg, IL (US);
Irina Miech, Brookfield, WI (US)

(73) Assignee: **DPG USA, Inc.**, Schaumburg, IL (US)

(**) Term: **14 Years**

(21) Appl. No.: **29/384,967**

(22) Filed: **Feb. 7, 2011**

(51) **LOC (9) Cl.** **15-09**

(52) **U.S. Cl.** **D15/136**

(58) **Field of Classification Search** D8/71;
D15/135.136; D21/484-486, 499, 500; 33/567,
33/567.1; 72/457, 477; 446/69, 85, 101,
446/120, 121, 124

See application file for complete search history.

(56) **References Cited**

U.S. PATENT DOCUMENTS

1,923,620	A *	8/1933	Harland	72/457
3,589,825	A *	6/1971	Wojcik	408/72 R
D316,214	S *	4/1991	O'Donnell	D8/14
D396,498	S *	7/1998	Leslie	D21/500
5,947,786	A *	9/1999	Glick	446/85
D594,512	S *	6/2009	Richards et al.	D21/484
D618,080	S *	6/2010	Baheti et al.	D8/71

* cited by examiner

Primary Examiner — Patricia Palasik

(74) *Attorney, Agent, or Firm* — Polster, Lieder, Woodruff & Lucchesi, L.C.

(57) **CLAIM**

The ornamental design for a dapping and bench block, as shown and described.

DESCRIPTION

FIG. 1 is a perspective view of the dapping and bench block of the present invention;

FIG. 2 is a right side elevation view of the dapping and bench block of FIG. 1, a left side elevation view is substantially identical;

FIG. 3 is a front side elevation view of the dapping and bench block of FIG. 1, a back side elevation view is substantially identical;

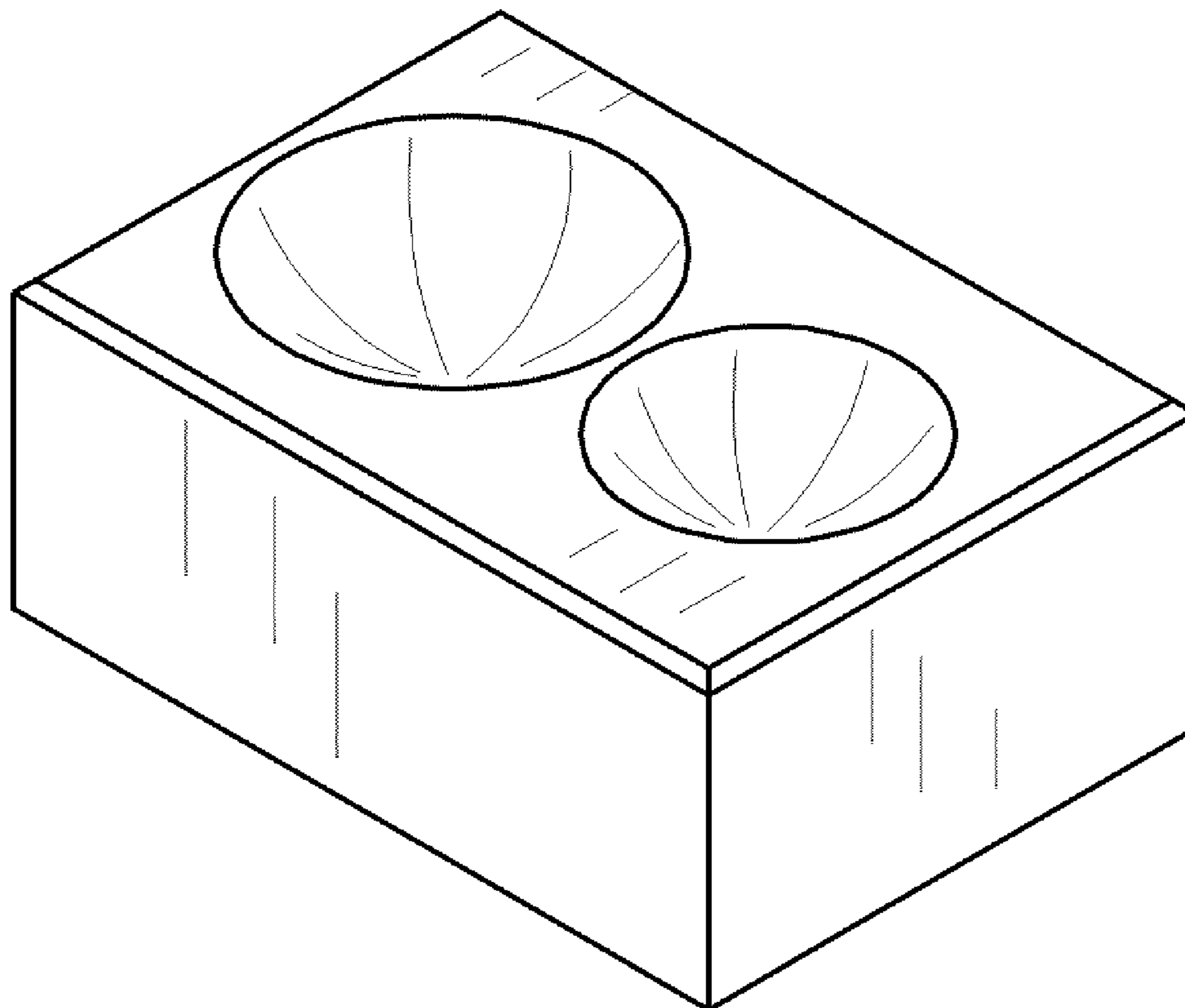
FIG. 4 is a bottom plan view of the dapping and bench block of FIG. 1;

FIG. 5 is a top plan view of the dapping and bench of FIG. 1;

FIG. 6 is a perspective view of the dapping and bench block of FIG. 1, with a pair of punches aligned with the top surface, the punches are shown in phantom line, and form no part of the present design; and,

FIG. 7 is a perspective view of the dapping and bench block similar to FIG. 6, with the punches seated on the top surface, the punches are shown in phantom line and form no part of the present design.

1 Claim, 2 Drawing Sheets



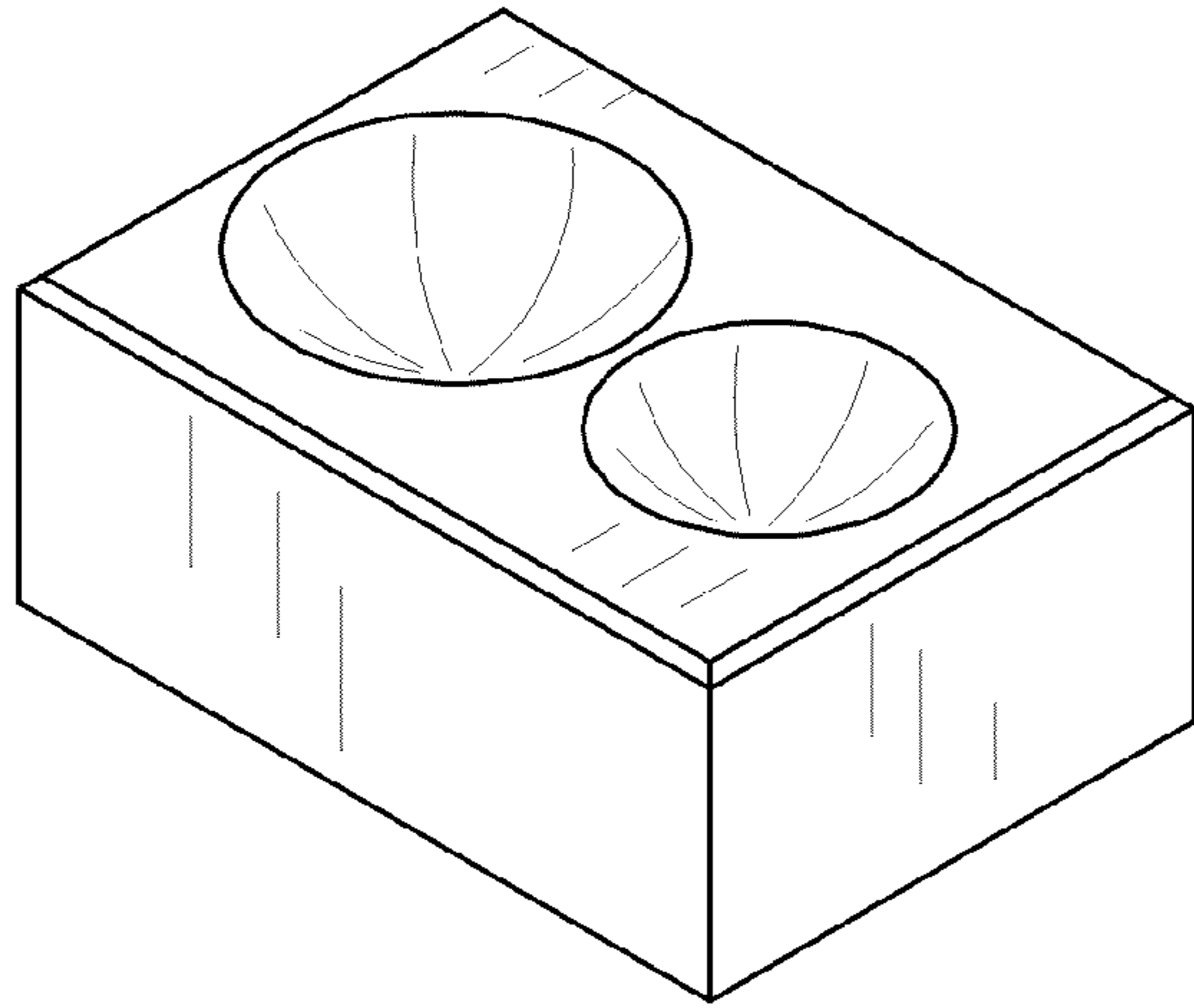


FIG. 1

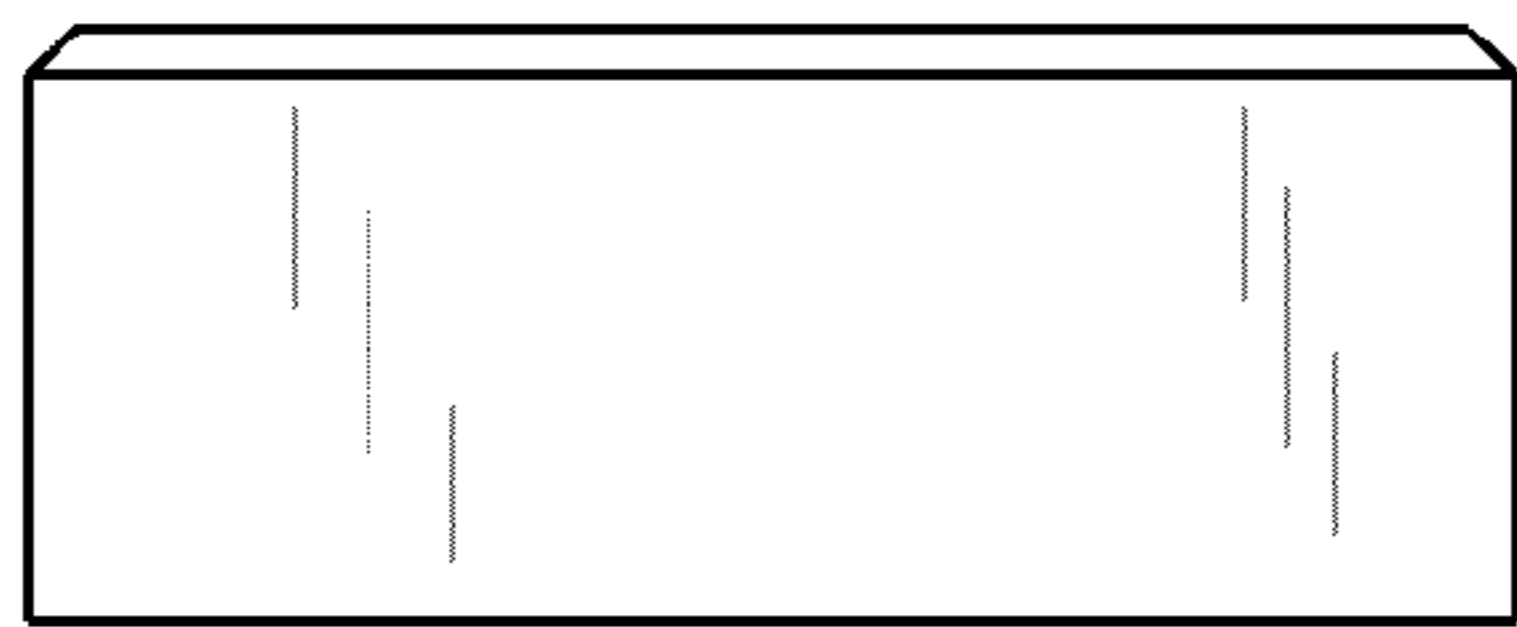


FIG. 3

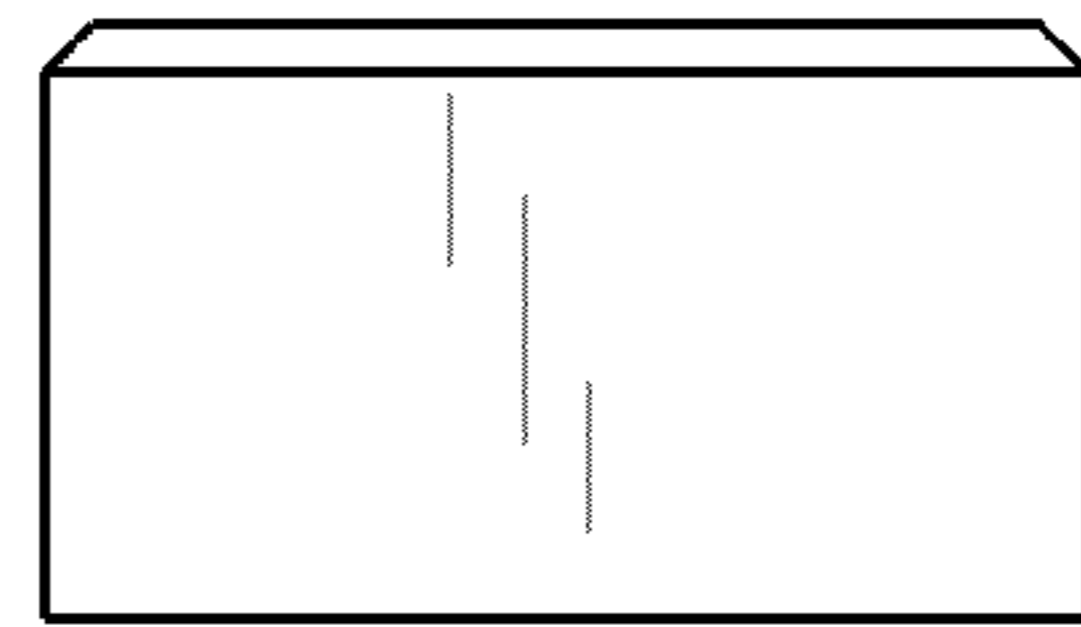


FIG. 2

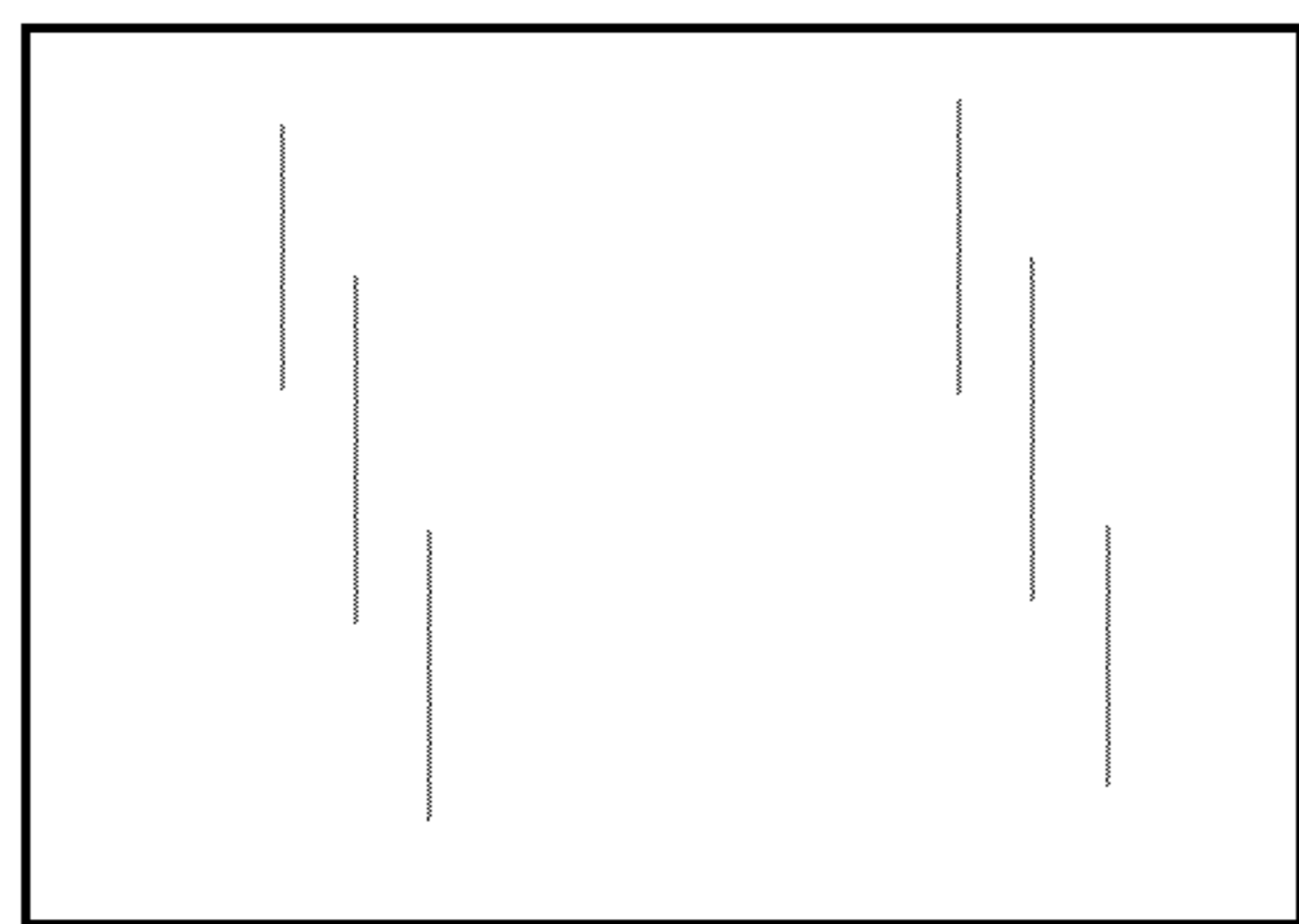


FIG. 4

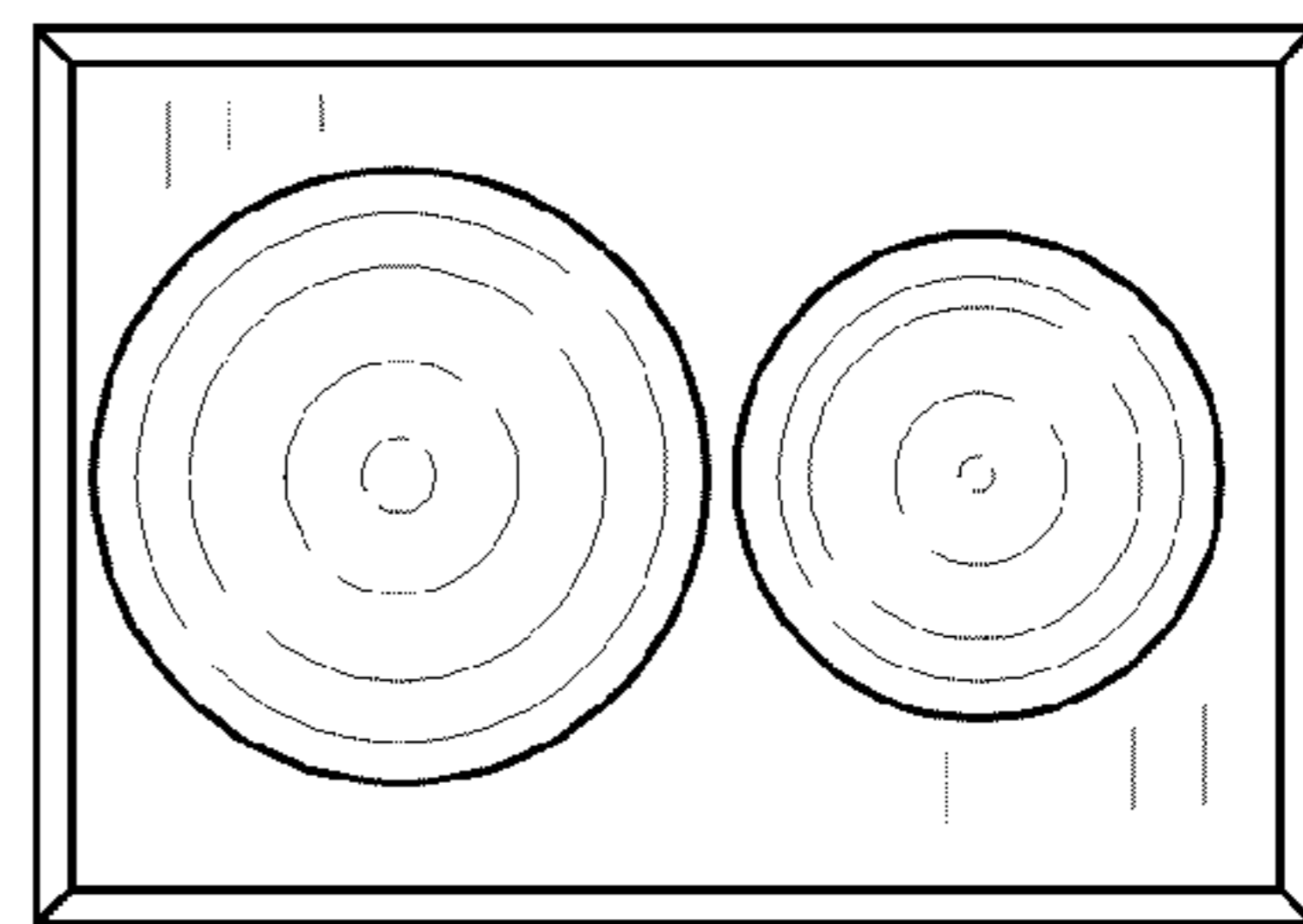


FIG. 5

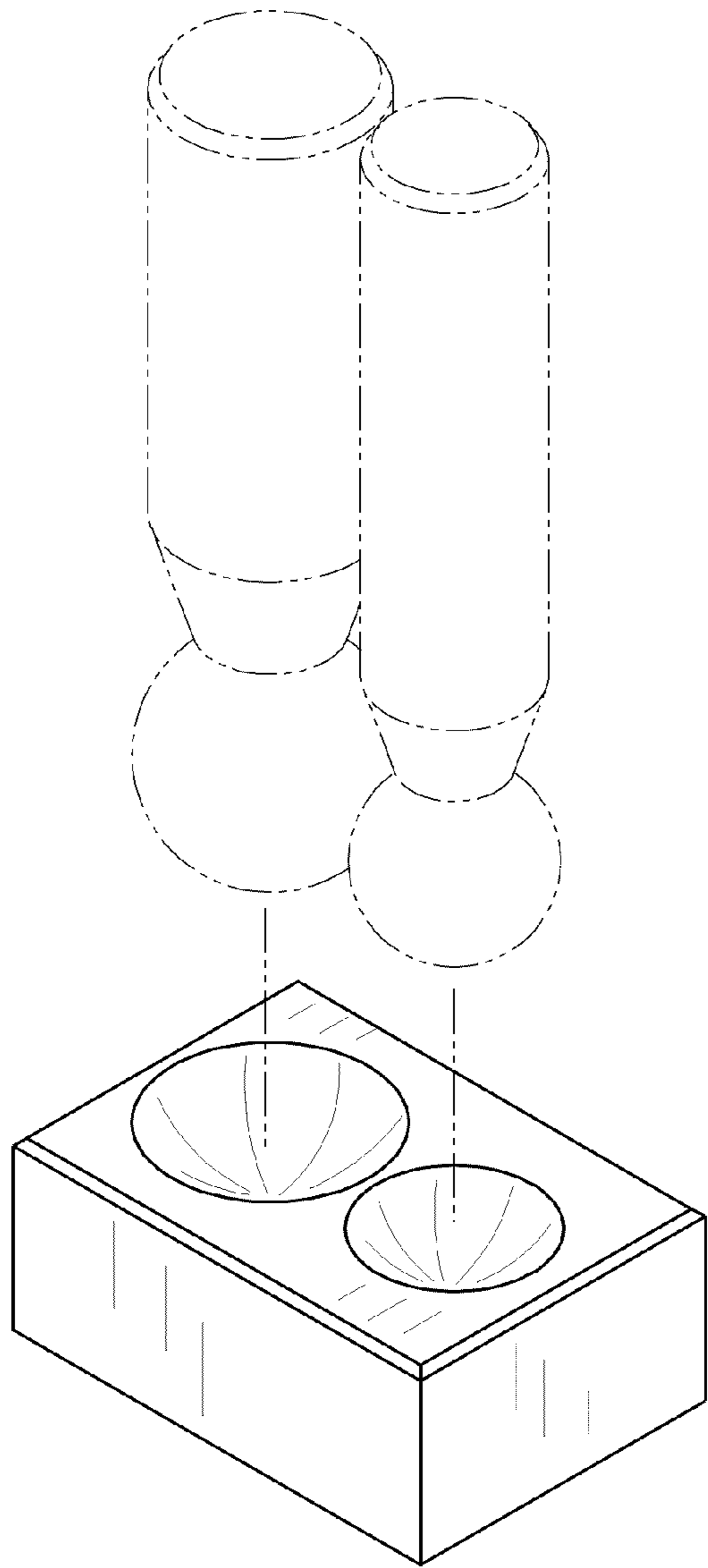


FIG. 6

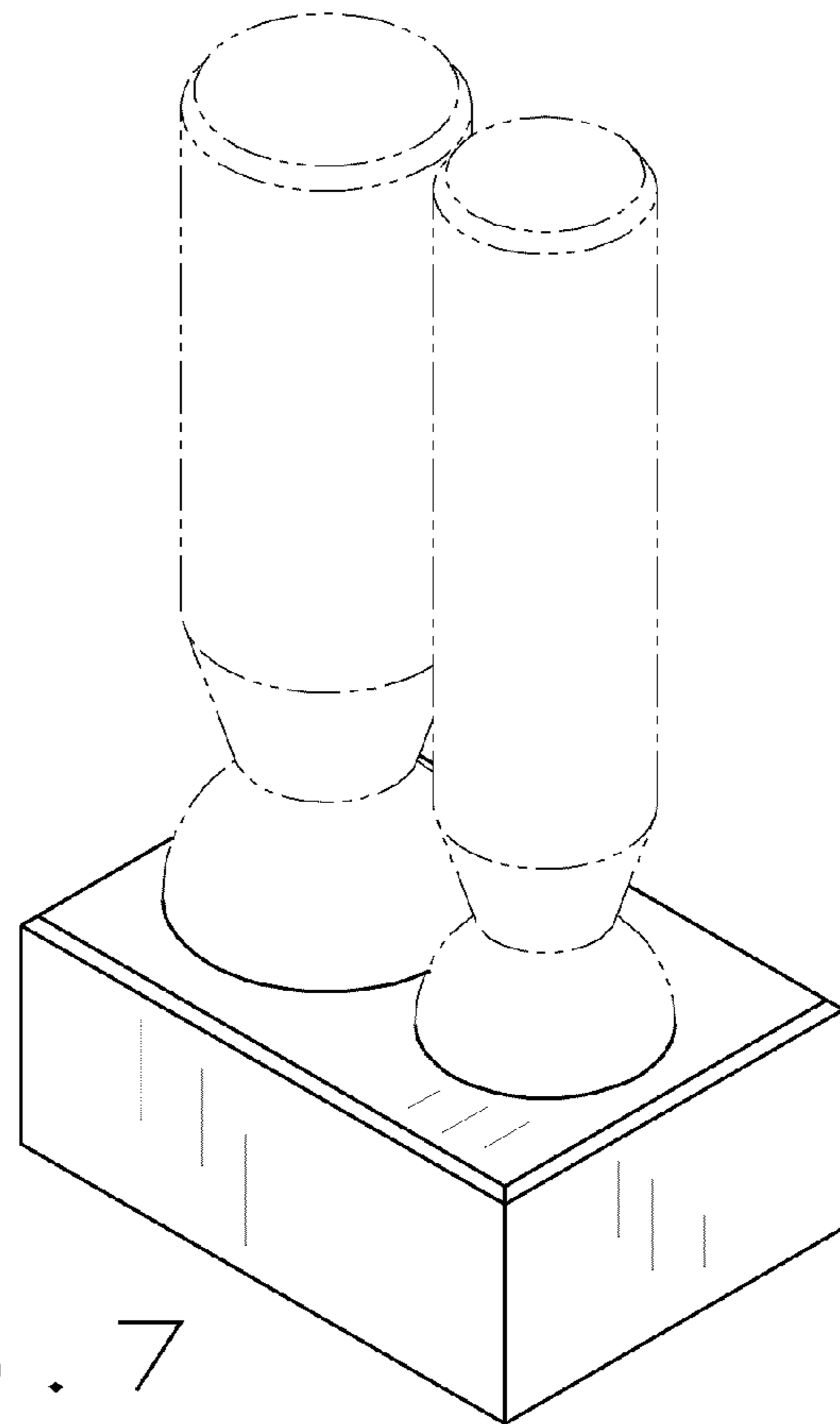


FIG. 7