



US00D643444S

(12) **United States Design Patent**
Colvin et al.

(10) **Patent No.:** **US D643,444 S**
(45) **Date of Patent:** **** Aug. 16, 2011**

(54) **HOOD ASSEMBLY**

(75) Inventors: **Mark A. Colvin**, Dubuque, IA (US); **Jon C. Schildgen**, Lancaster, WI (US)

(73) Assignee: **Deere & Company**, Moline, IL (US)

(**) Term: **14 Years**

(21) Appl. No.: **29/378,004**

(22) Filed: **Oct. 28, 2010**

(51) **LOC (9) Cl.** **15-03**

(52) **U.S. Cl.** **D15/31**

(58) **Field of Classification Search** D15/10,
D15/11, 28, 22-26, 30, 31, 33; D12/163,
D12/166, 170-172; 56/13.3, 13.4, 15.8,
56/15.9, 16.1, 16.7, 202; 180/89.1, 89.12,
180/900, 68.4, 69.2; 293/115

See application file for complete search history.

(56) **References Cited**

U.S. PATENT DOCUMENTS

D246,370	S	*	11/1977	Lorenz	D15/31
D297,330	S	*	8/1988	Monehaie et al.	D15/31
D371,372	S	*	7/1996	Westimayer et al.	D15/31
D381,025	S	*	7/1997	Bataille	D15/31
D383,470	S	*	9/1997	Westimayer et al.	D15/31
D389,492	S	*	1/1998	Schmidt et al.	D15/31
5,803,198	A	*	9/1998	Baxter et al.	180/69.21
D413,905	S	*	9/1999	Schmidt et al.	D15/31
6,167,977	B1	*	1/2001	Adamson et al.	180/69.2
D448,037	S	*	9/2001	Westimayer et al.	D15/31
D483,383	S	*	12/2003	Crookes et al.	D15/31
D488,488	S	*	4/2004	Montgomery et al.	D15/31
D488,489	S	*	4/2004	Montgomery et al.	D15/31
D554,669	S	*	11/2007	Crookes et al.	D15/31
D560,693	S	*	1/2008	Moen et al.	D15/31
D570,382	S	*	6/2008	Higashikawa	D15/31
D591,777	S	*	5/2009	Kokitkar et al.	D15/31

FOREIGN PATENT DOCUMENTS

CN 301148718 D 3/2010
IN 217229 3/2010

OTHER PUBLICATIONS

Deere 6030-7030 Tractors Product Brochure (May 2010) (36 pages).
Deere J Backhoes Product Brochure (Aug. 2010) (40 pages).
Deere Tractor Images (11 pages).

* cited by examiner

Primary Examiner — Mark Goodwin

(57) **CLAIM**

The ornamental design for a hood assembly, as shown and described.

DESCRIPTION

FIG. 1 is a front perspective view of a hood assembly showing my new design, the broken line circled area is for designating the boundary of an enlarged view and forms no part of the claimed design;

FIG. 2 is an enlarged front perspective view of area 2 of FIG. 1, with the broken line circled area is for designating the boundary of this enlarged view and forms no part of the claimed design;

FIG. 3 is a left side elevational view of FIG. 1 thereof;

FIG. 4 is a right side elevational view thereof;

FIG. 5 is a front elevational view thereof;

FIG. 6 a rear elevational view thereof, with portions shown in broken lines for illustrative purposes only and forms no part of the claimed design;

FIG. 7 is a top plan view thereof; and,

FIG. 8 is a bottom plan view thereof, with portions shown in broken lines for illustrative purposes only and forms no part of the claimed design.

1 Claim, 8 Drawing Sheets

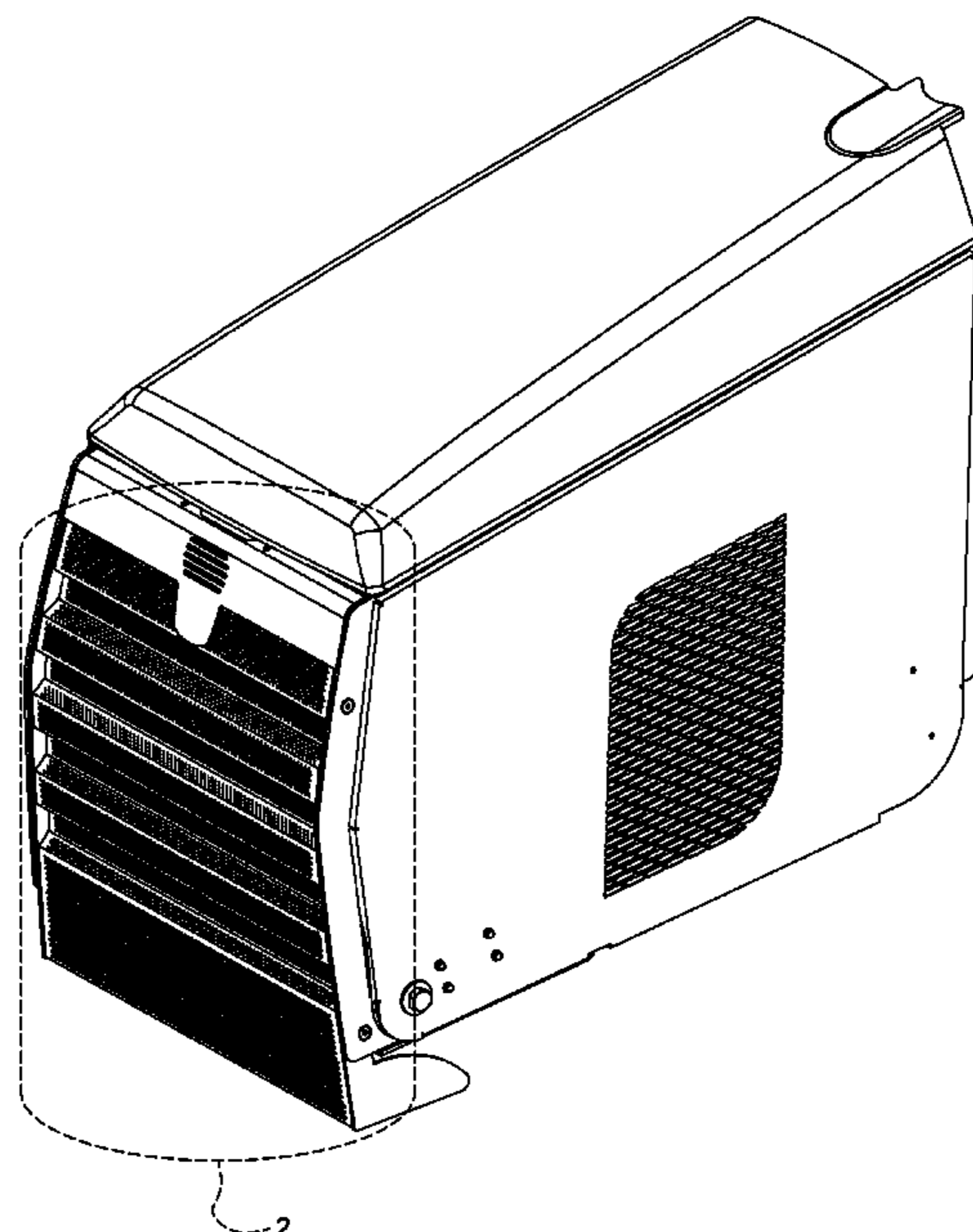
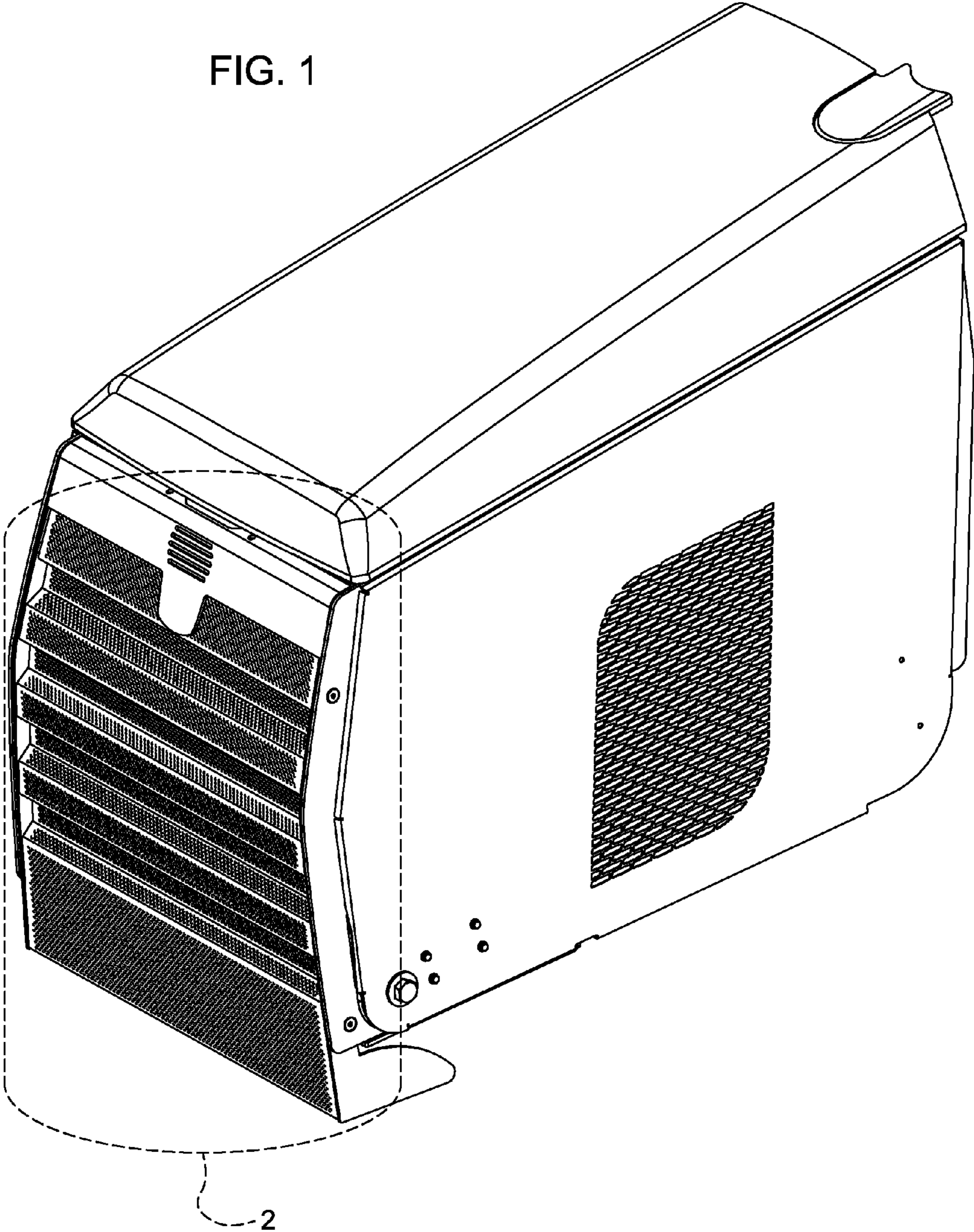


FIG. 1



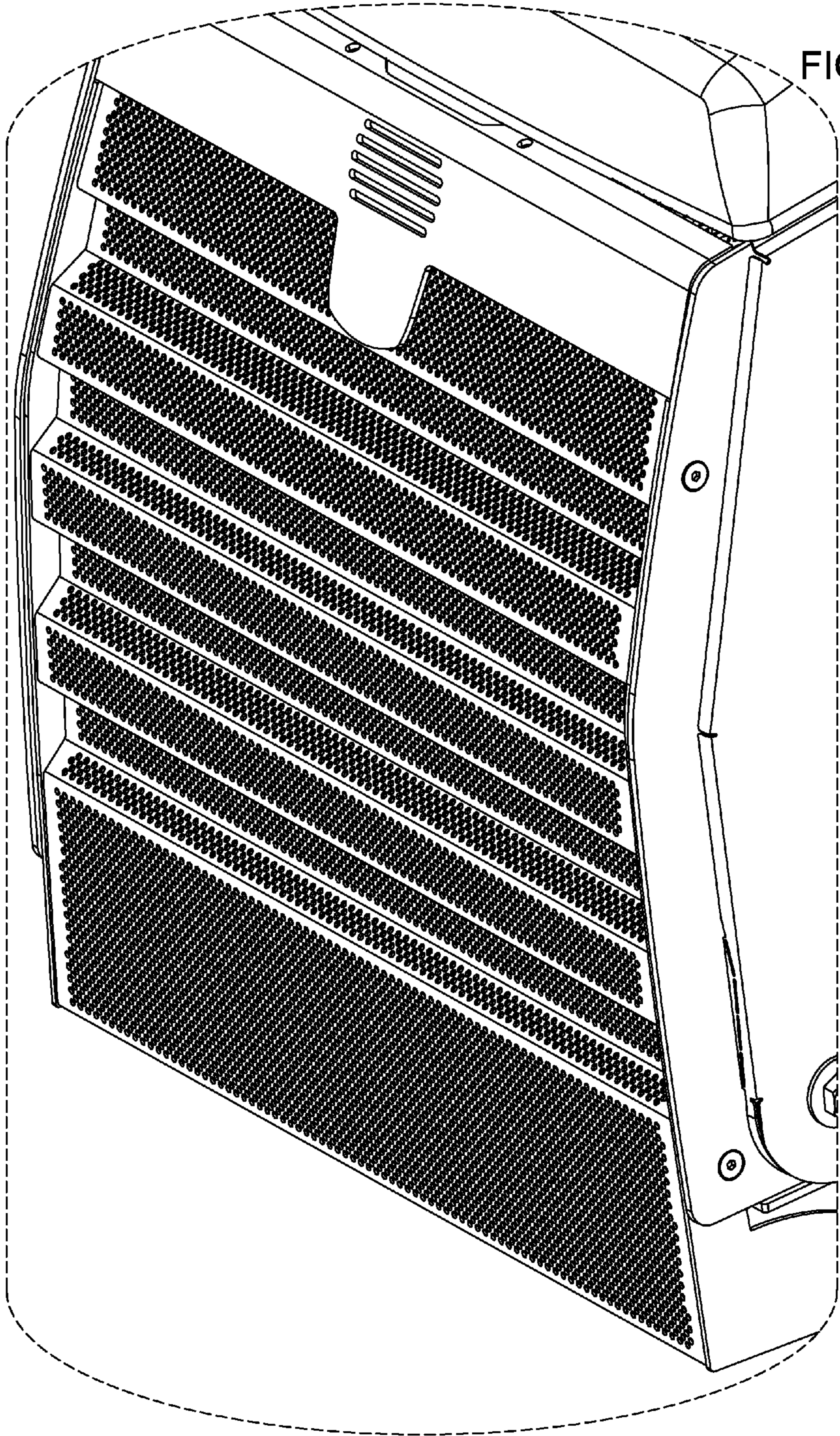


FIG. 2

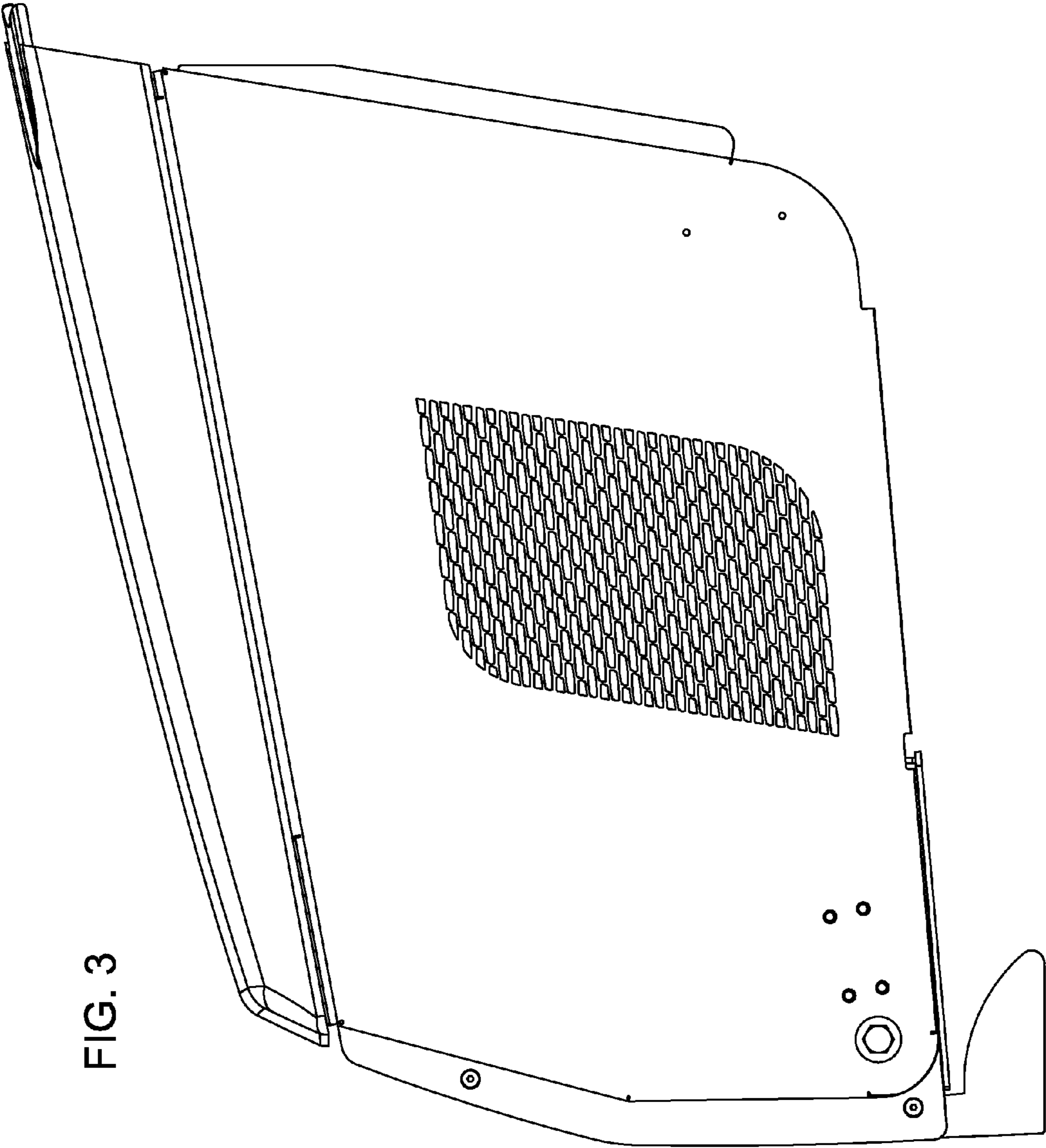


FIG. 3

FIG. 4

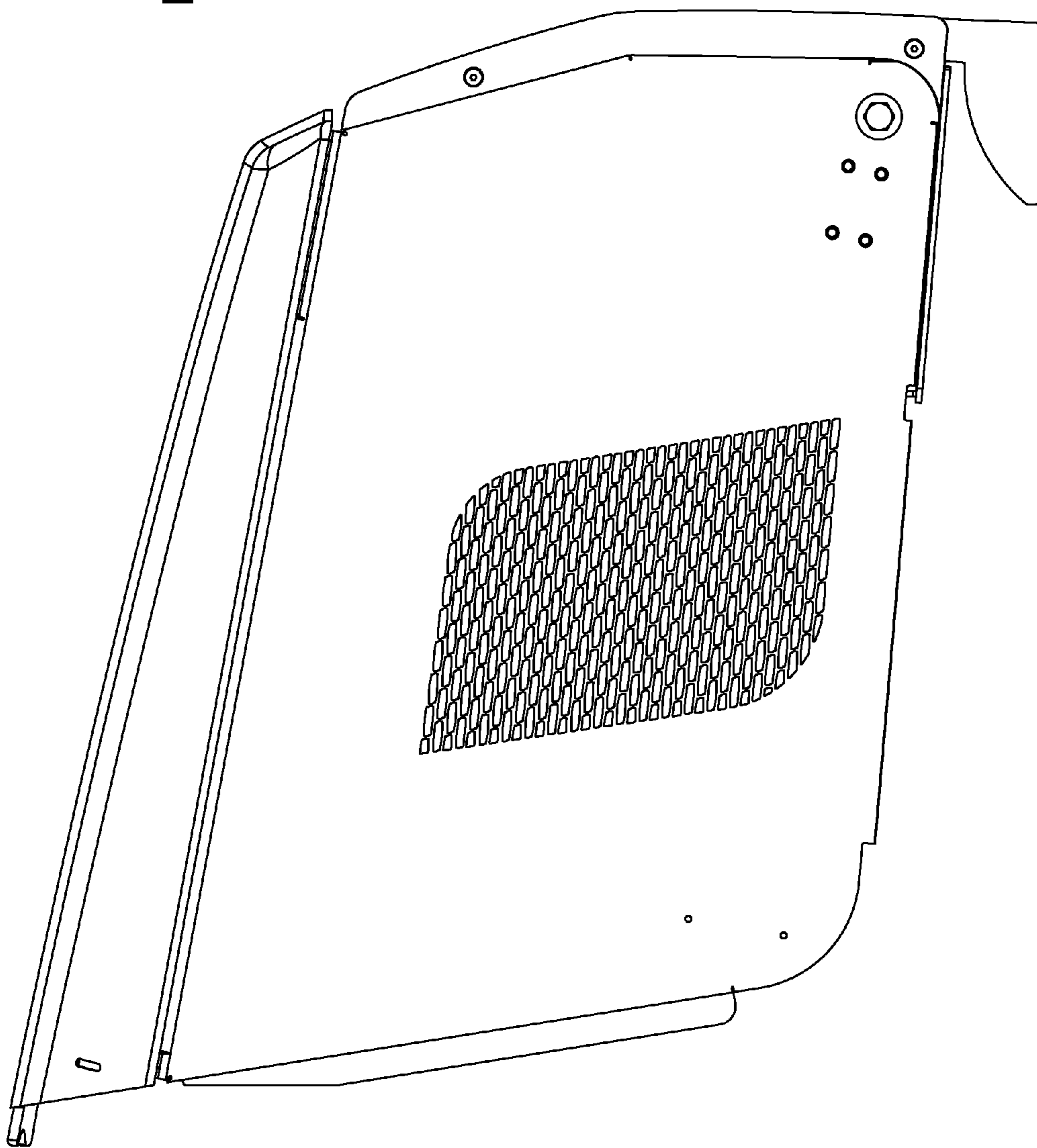


FIG. 5

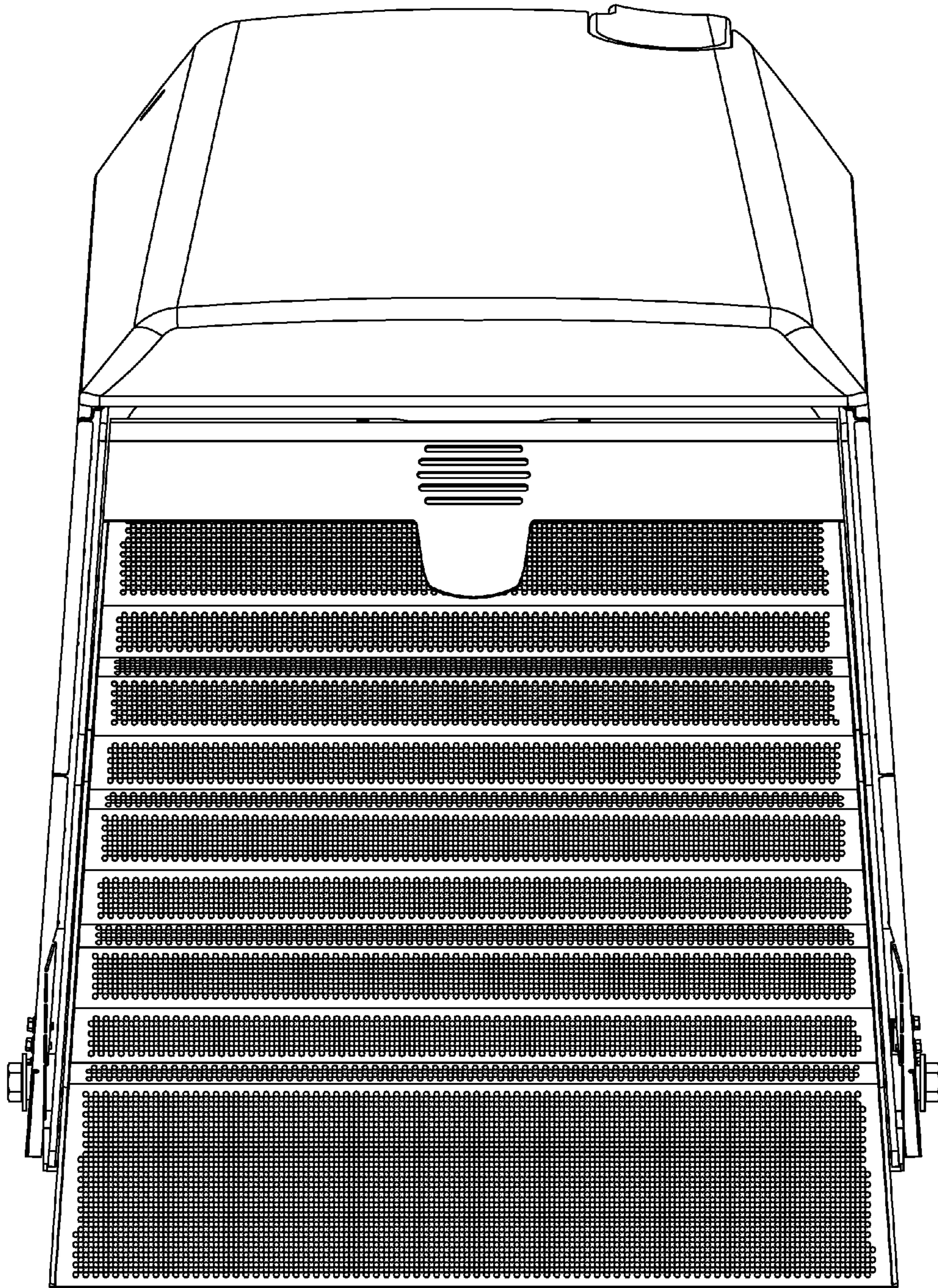
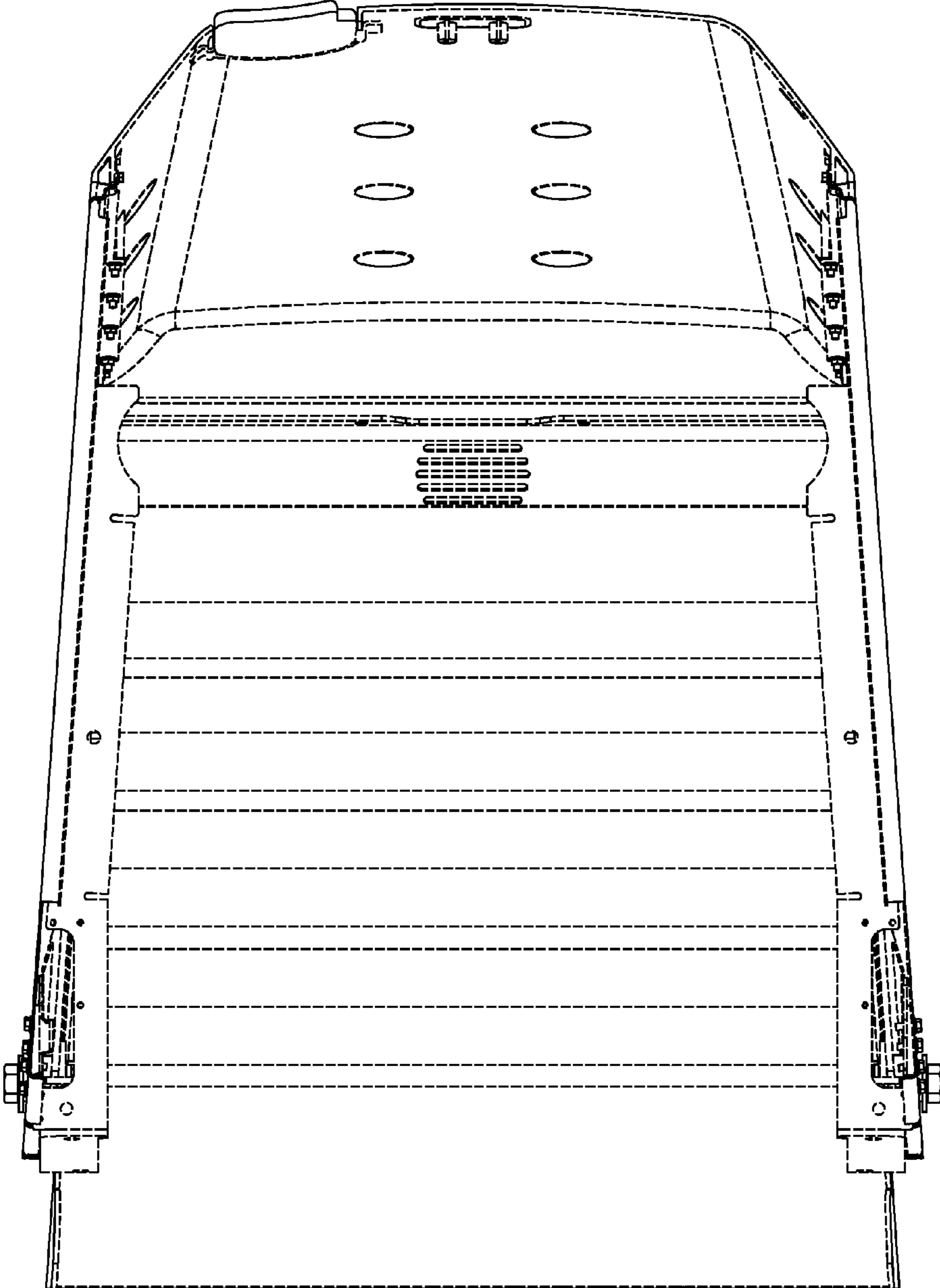


FIG. 6



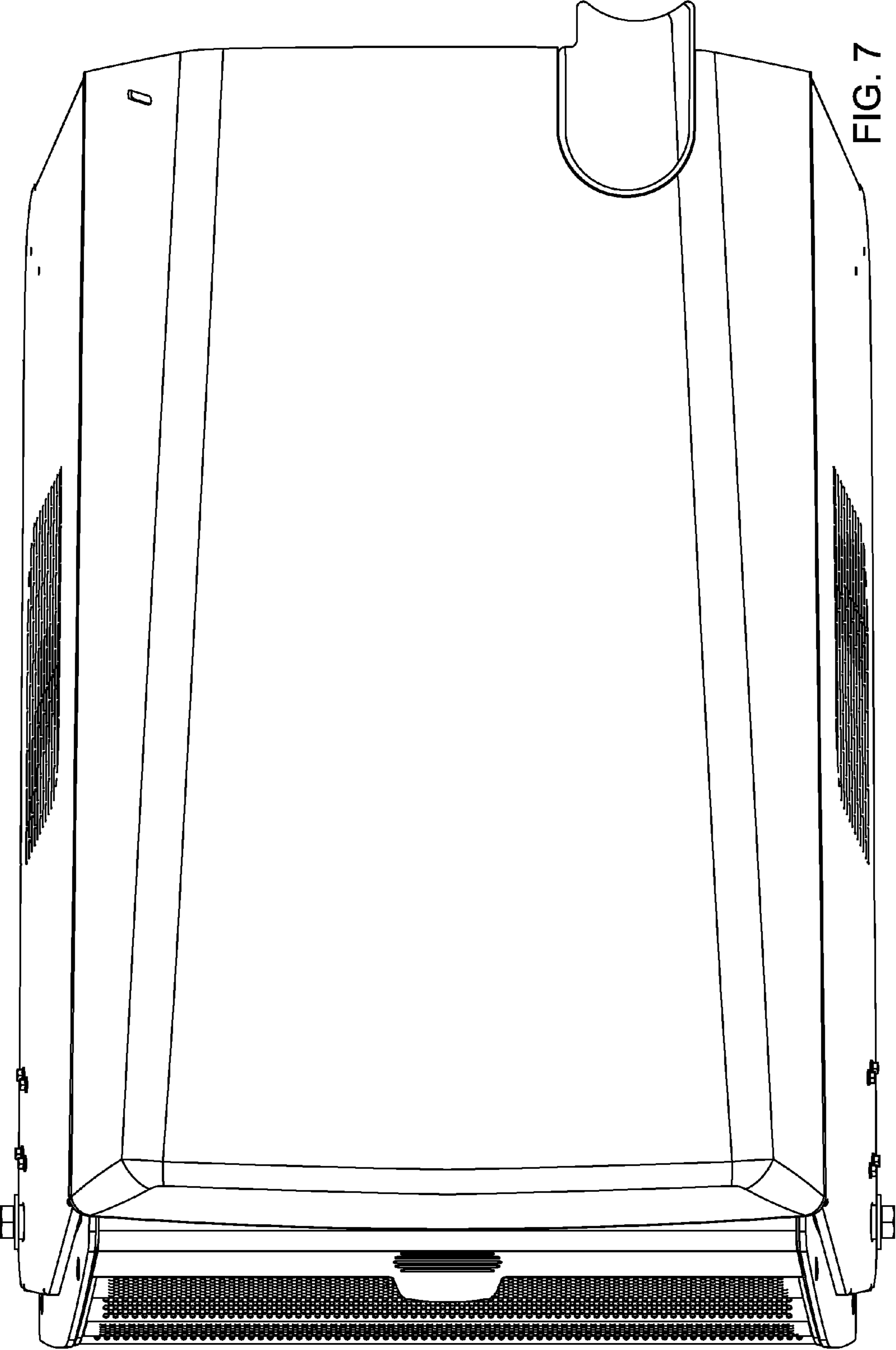


FIG. 7

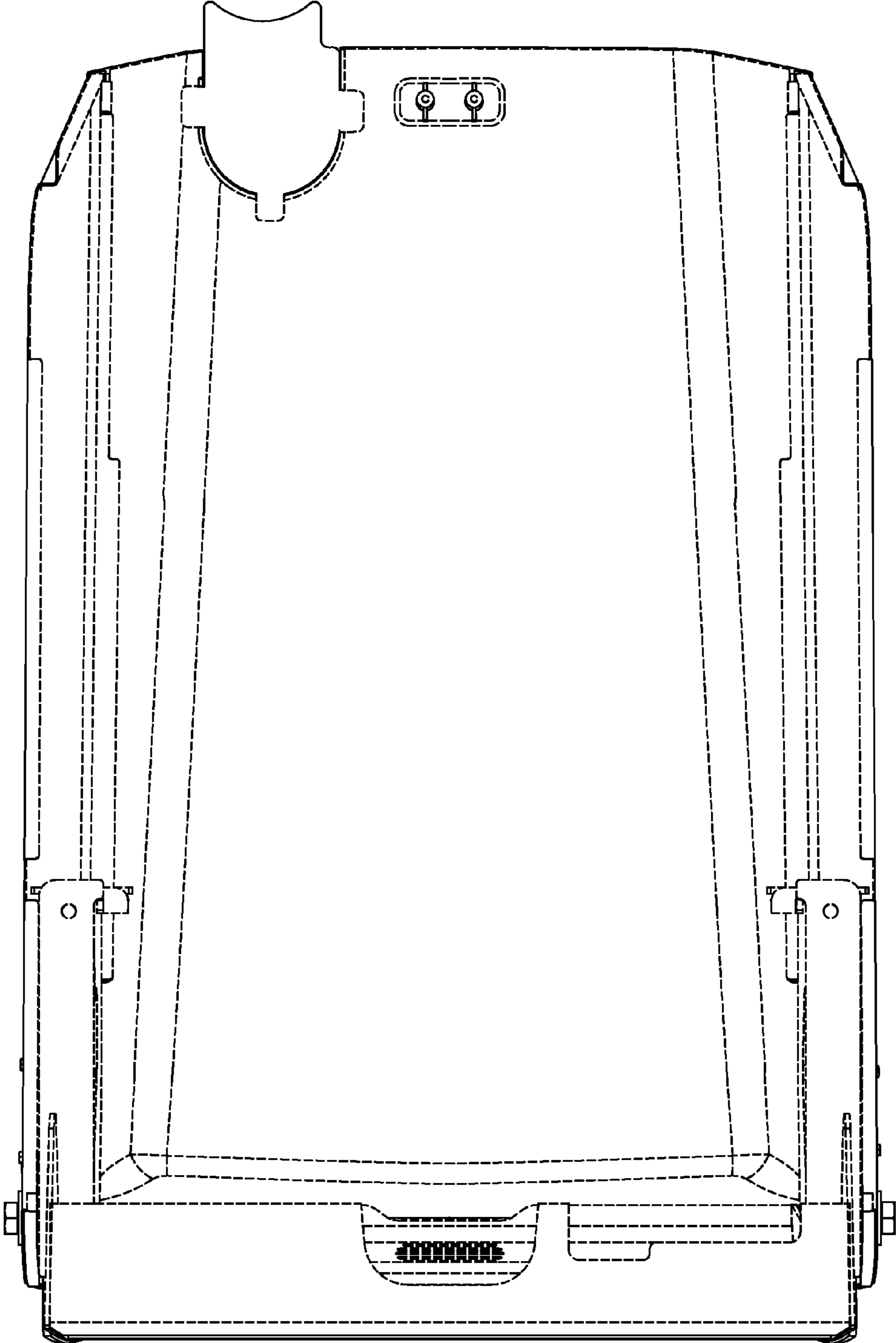


FIG. 8