



US00D643439S

(12) **United States Design Patent**  
**Bidaud et al.**

(10) **Patent No.:** **US D643,439 S**

(45) **Date of Patent:** **\*\* Aug. 16, 2011**

(54) **MEDIA DEVICE**

(56) **References Cited**

(75) Inventors: **Philippe Bidaud**, Paris (FR); **Mourad Bouzit**, Paris (FR); **Mohamed Chetouani**, Paris (FR)

U.S. PATENT DOCUMENTS

4,364,482	A *	12/1982	Dilg	.....	213/8
5,781,853	A *	7/1998	Johnson	.....	455/351
6,132,281	A *	10/2000	Klitsner et al.	.....	446/75
6,926,130	B2 *	8/2005	Skowronski	.....	191/12.2 R
D558,833	S *	1/2008	Itskov et al.	.....	D21/329
D564,033	S *	3/2008	Itskov et al.	.....	D21/329
D567,513	S *	4/2008	Fang et al.	.....	D6/300
D567,818	S *	4/2008	Zhang	.....	D14/496
D590,839	S *	4/2009	Lewis	.....	D14/496
D599,820	S *	9/2009	Su et al.	.....	D14/496
D612,865	S *	3/2010	Zhang	.....	D14/496
D614,202	S *	4/2010	Strauser	.....	D14/497
7,905,783	B2 *	3/2011	Cole	.....	463/46

(73) Assignees: **Universite Pierre et Marie Curie (Paris 6)**, Paris (FR); **Centre National de la Recherche Scientifique**, Paris (FR)

(\*\*) Term: **14 Years**

\* cited by examiner

(21) Appl. No.: **29/380,299**

*Primary Examiner* — Prabhakar Deshmukh

(22) Filed: **Dec. 2, 2010**

(74) *Attorney, Agent, or Firm* — Muncy, Geissler, Olds & Lowe, PLLC

(30) **Foreign Application Priority Data**

Jun. 2, 2010 (EM) ..... 001715046-0001

(57) **CLAIM**

(51) **LOC (9) Cl.** ..... **14-03**

The ornamental design for a media device, as shown and described.

(52) **U.S. Cl.** ..... **D14/496; D14/203.1; D14/203.3**

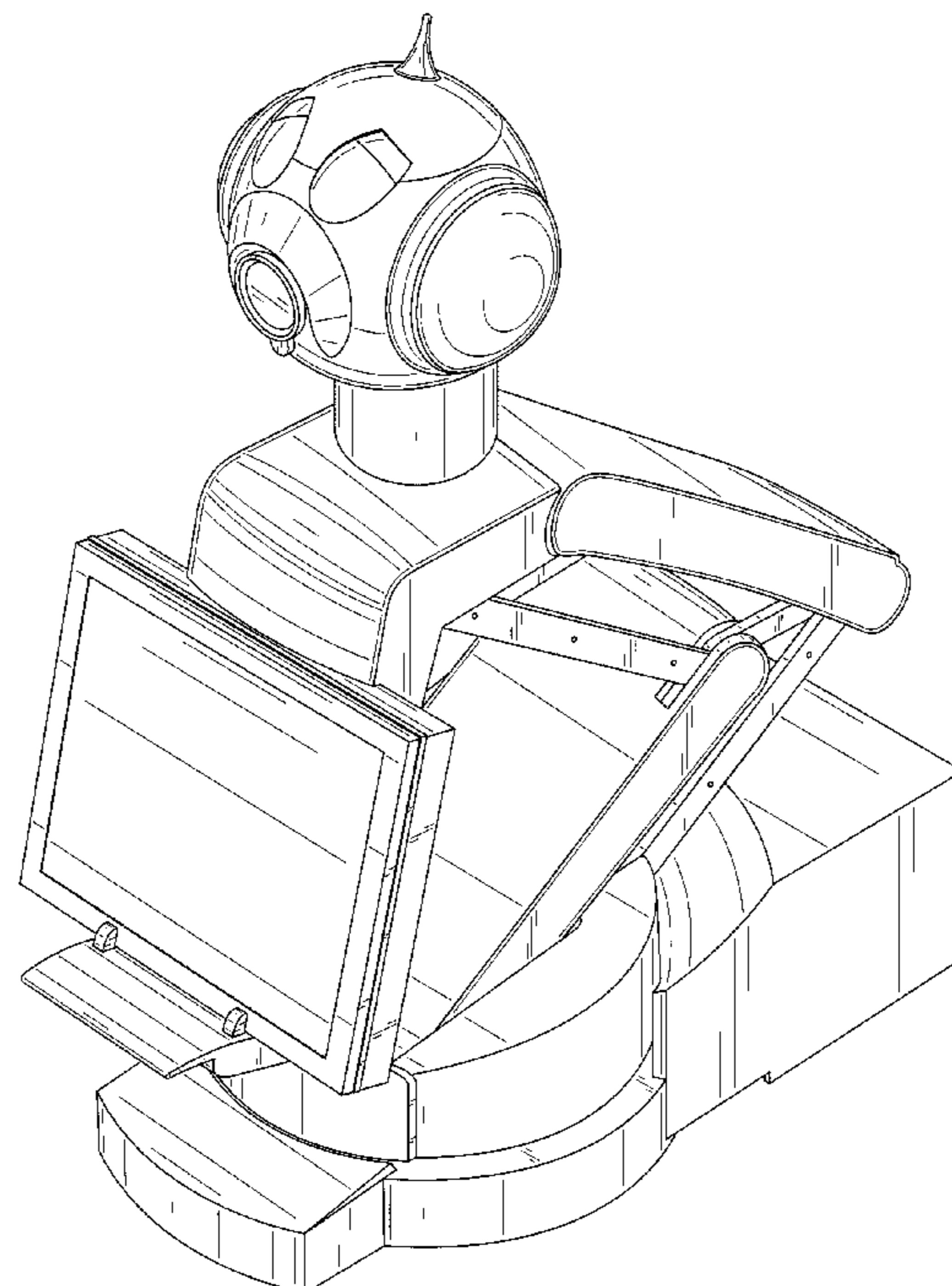
**DESCRIPTION**

(58) **Field of Classification Search** ..... D14/496, D14/401, 435, 474, 483, 217, 137, 138, 160, D14/168, 356, 203.1–203.8, 507; 345/156, 345/169, 173–179, 905; 715/727–729, 864; 710/1, 5, 8; 713/1, 600; 455/1.1, 1.7, 73, 455/344–347, 93, 95, 3.01–3.06, 550.1, 573.1; 370/342–344; 369/1, 2, 6–12; 463/43–47; 273/148 B

FIG. 1 is a front, right perspective view of a media device showing our new design;  
FIG. 2 is a front elevational view of the media device;  
FIG. 3 is a rear elevational view of the media device;  
FIG. 4 is a right side view of the media device, the left side being a mirror image thereof;  
FIG. 5 is a top, plan view of the media device, the bottom thereof being flat and unornamented; and,  
FIG. 6 is a back, right perspective view of the media device.

See application file for complete search history.

**1 Claim, 6 Drawing Sheets**



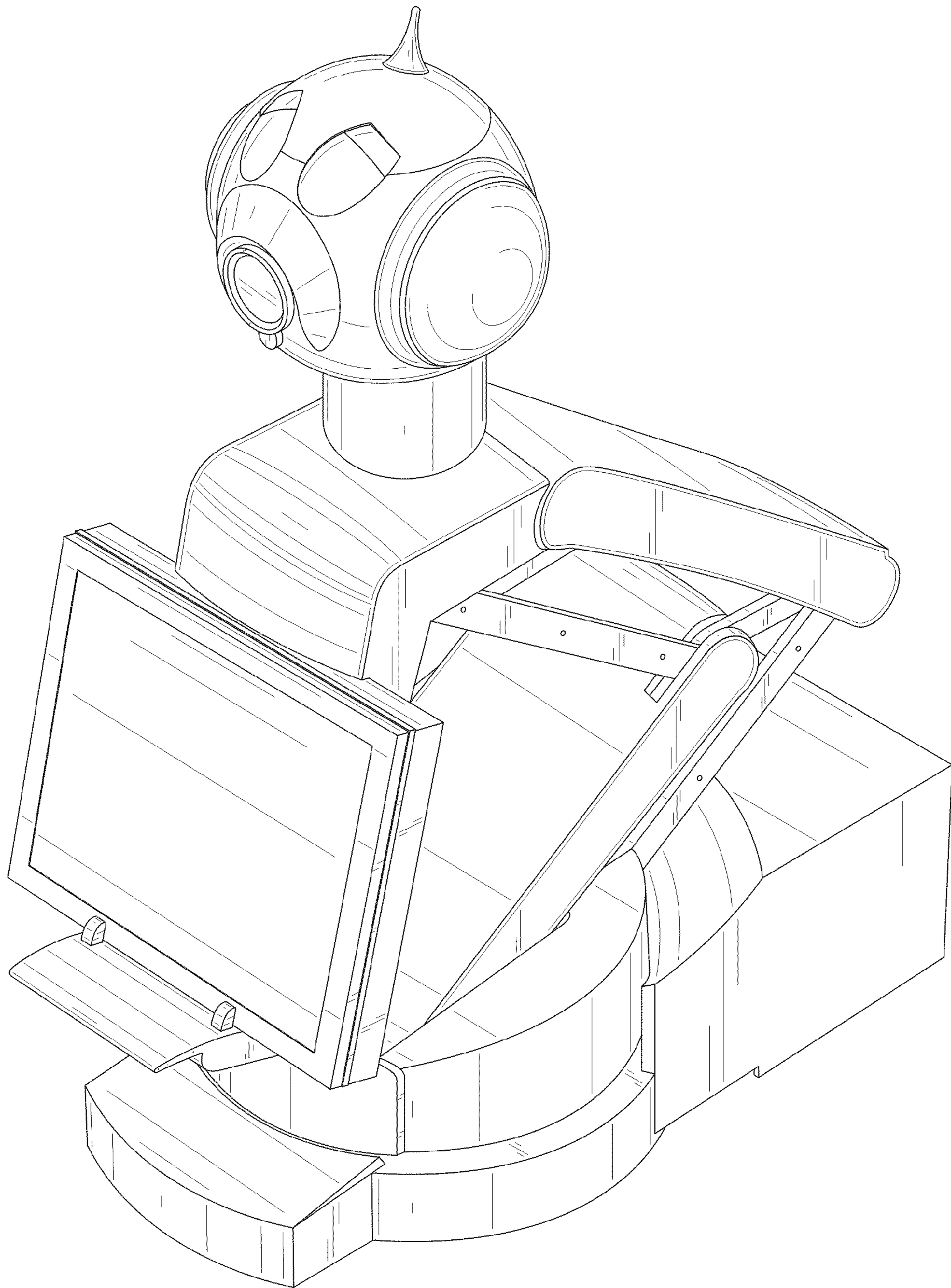


FIG. 1

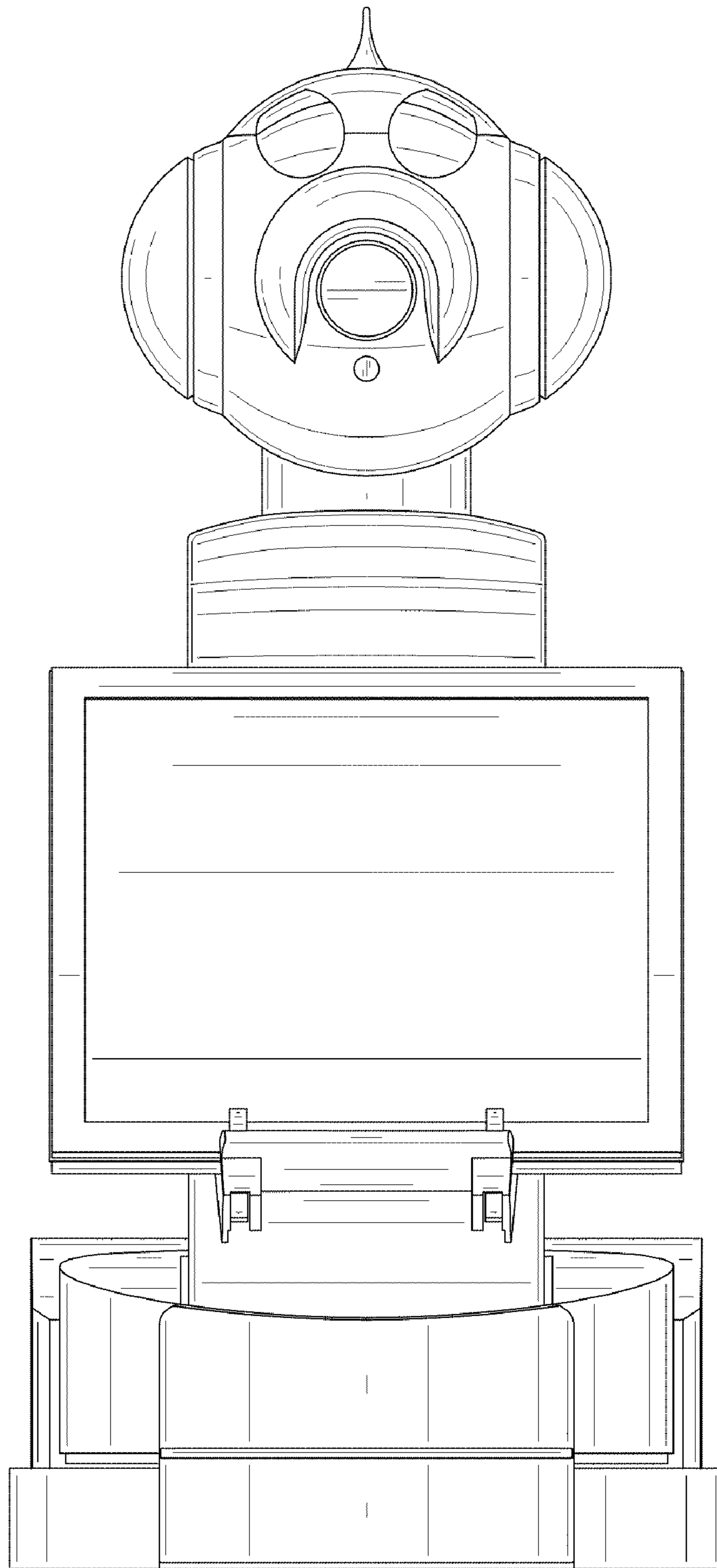


FIG. 2

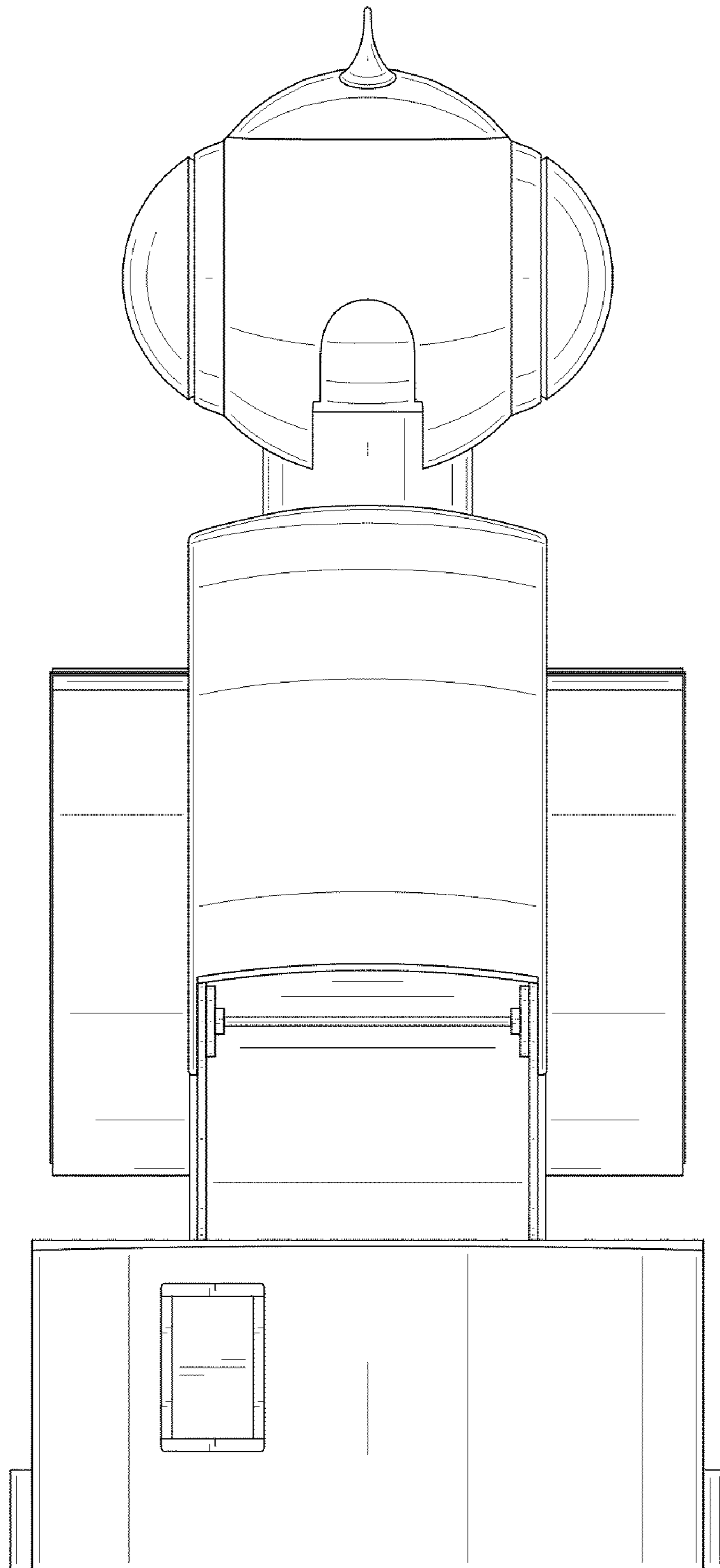


FIG. 3

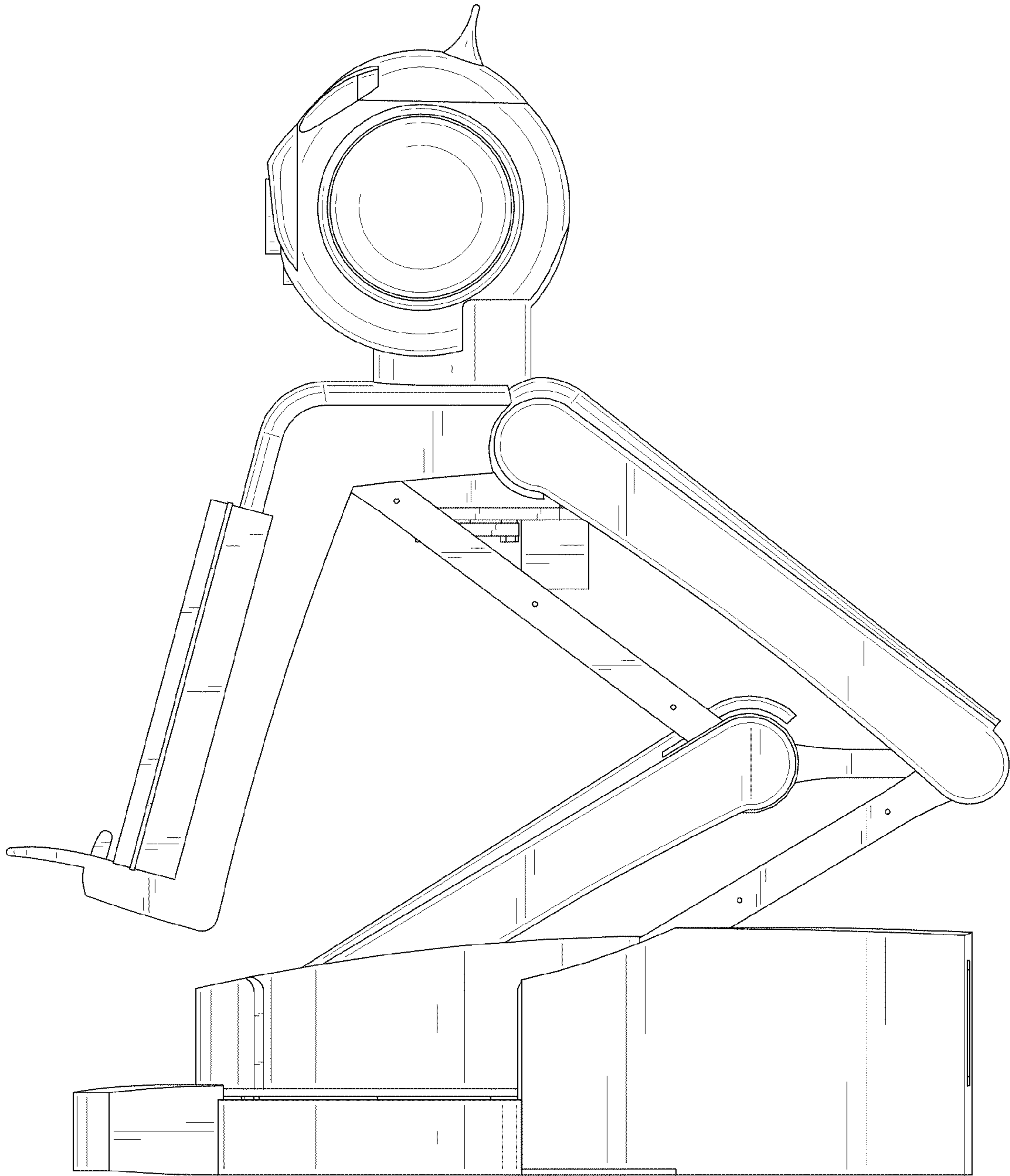


FIG. 4

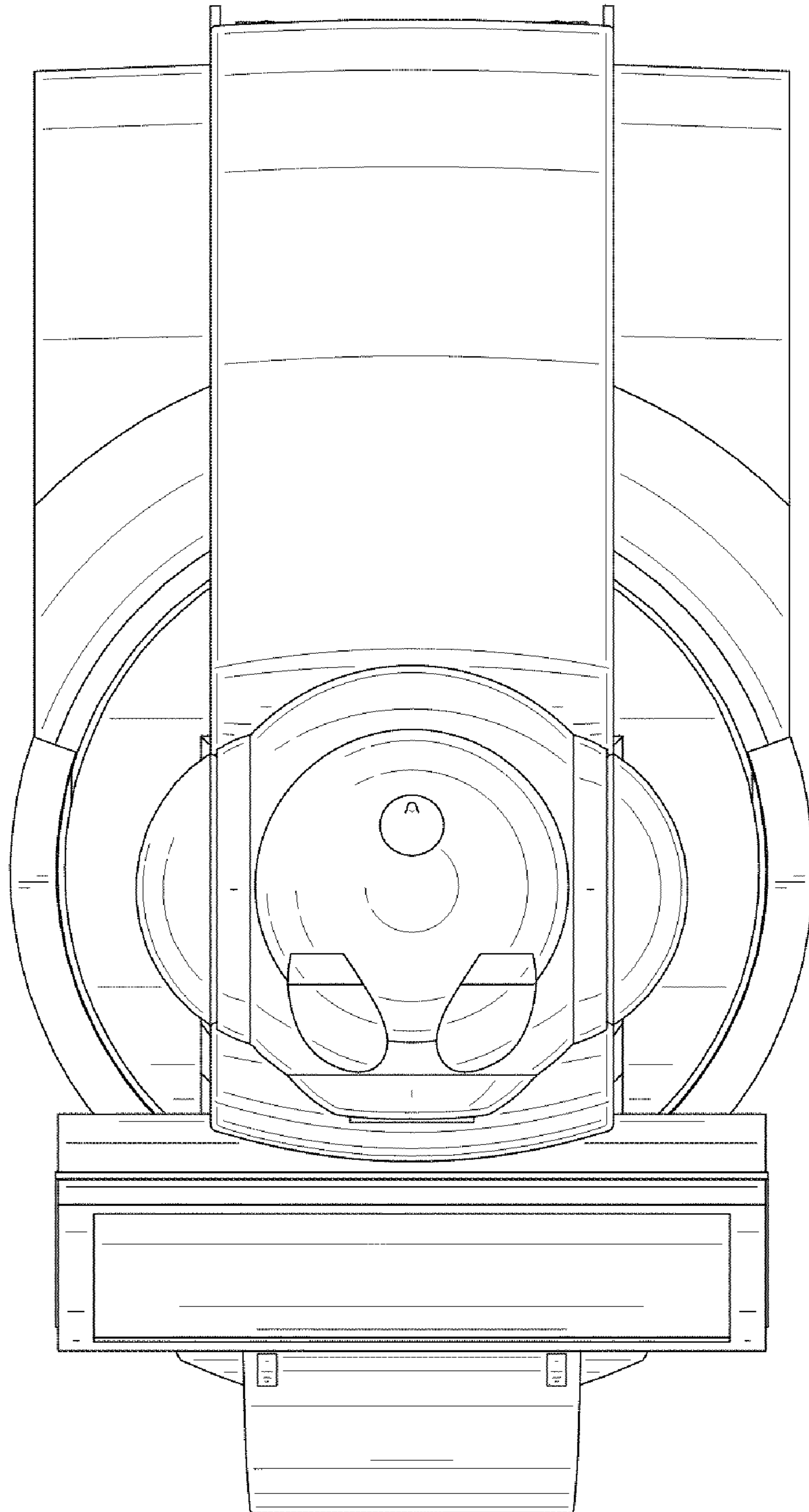


FIG. 5

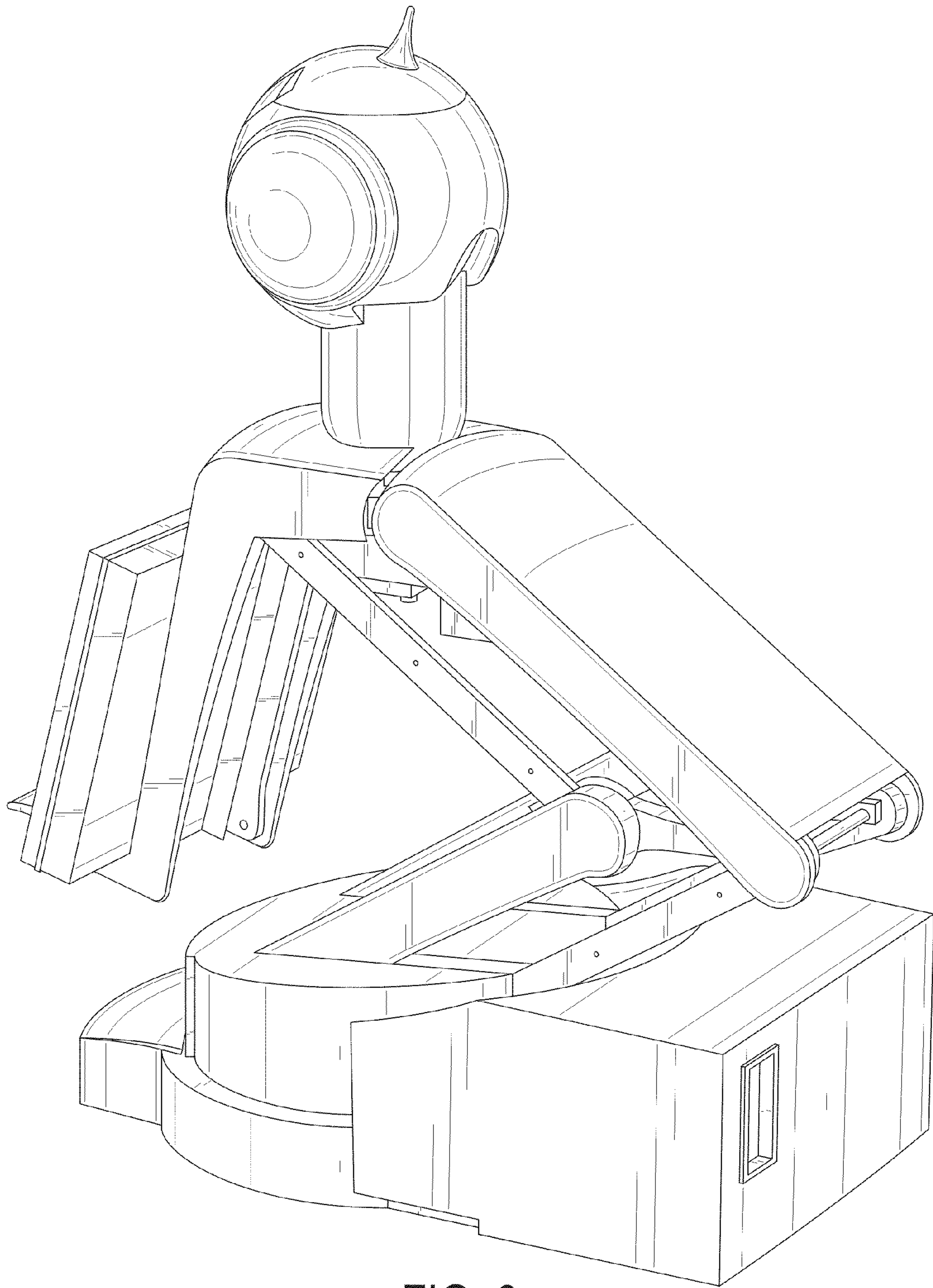


FIG. 6