



US00D643434S

(12) **United States Design Patent**
Grady, IV et al.

(10) **Patent No.:** **US D643,434 S**

(45) **Date of Patent:** **** Aug. 16, 2011**

(54) **STORAGE DEVICE COVER**

(75) Inventors: **William J. Grady, IV**, Cary, NC (US);
Jason E. Minyard, Phoenix, AZ (US);
Jeffrey J. Smith, Raleigh, NC (US)

(73) Assignee: **International Business Machines Corporation**, Armonk, NY (US)

(**) Term: **14 Years**

(21) Appl. No.: **29/375,583**

(22) Filed: **Sep. 24, 2010**

(51) **LOC (9) Cl.** **14-02**

(52) **U.S. Cl.** **D14/442**

(58) **Field of Classification Search** D14/441-446,
D14/356, 313, 349; D13/162, 184, 199;
312/223.2; 361/679.31-679.37; 369/34.01,
369/36.01; 360/92.1

See application file for complete search history.

(56) **References Cited**

U.S. PATENT DOCUMENTS

D415,747	S *	10/1999	Wu	D14/442
6,233,143	B1 *	5/2001	Gamble et al.	361/679.34
D450,055	S *	11/2001	Yang	D14/444
6,317,329	B1 *	11/2001	Dowdy et al.	361/725
6,356,441	B1	3/2002	Claprod		
D458,924	S *	6/2002	Tsuyuki et al.	D14/367
D461,815	S *	8/2002	Yuhan	D14/444
6,483,107	B1	11/2002	Rabinovitz et al.		
6,519,140	B1 *	2/2003	Kim et al.	361/679.58
6,565,163	B2 *	5/2003	Behl et al.	312/223.1
D535,298	S *	1/2007	Cochrane	D14/444
7,477,511	B2 *	1/2009	Hsu et al.	361/679.37
7,480,137	B1	1/2009	Jyh		
D588,137	S *	3/2009	Lawrence et al.	D14/444

7,518,854	B2	4/2009	Salinas et al.
2003/0002249	A1	1/2003	Cruz et al.
2003/0223192	A1	12/2003	Searby et al.
2004/0095716	A1	5/2004	McAlister
2005/0111180	A1	5/2005	Song
2007/0127206	A1	6/2007	Wade et al.
2008/0165490	A1	7/2008	Buckland et al.
2009/0224640	A1	9/2009	Yang et al.

FOREIGN PATENT DOCUMENTS

CN	2859633	1/2007
CN	200941174	8/2007

* cited by examiner

Primary Examiner — Freda Nunn

(74) *Attorney, Agent, or Firm* — Stephen R. Tkacs; Stephen J. Walder, Jr.; Matthew C. Zahrar

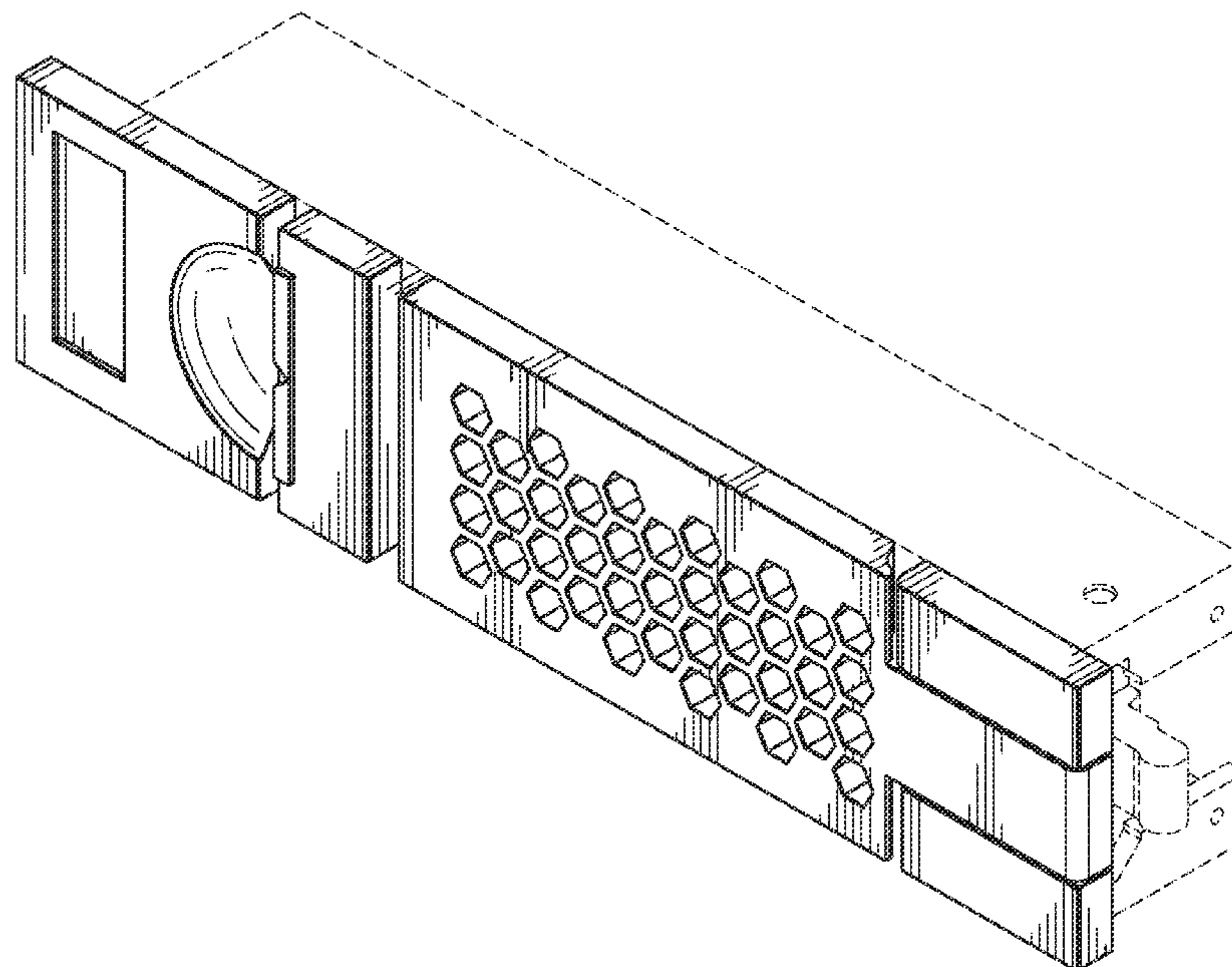
(57) **CLAIM**

The ornamental design for a storage device cover, as shown and described.

DESCRIPTION

FIG. 1 is a perspective view of a storage device cover in accordance with our new design;
 FIG. 2 is a front view thereof;
 FIG. 3 is a top view thereof;
 FIG. 4 is a bottom view thereof;
 FIG. 5 is a left side view thereof;
 FIG. 6 is a right side view thereof;
 FIG. 7 is a perspective view thereof in an installed and closed position; and,
 FIG. 8 is a perspective view thereof in an installed and open position.
 Broken lines included in the figures, including any boundary created thereby illustrate environmental matter only and form no part of the claimed design.

1 Claim, 5 Drawing Sheets



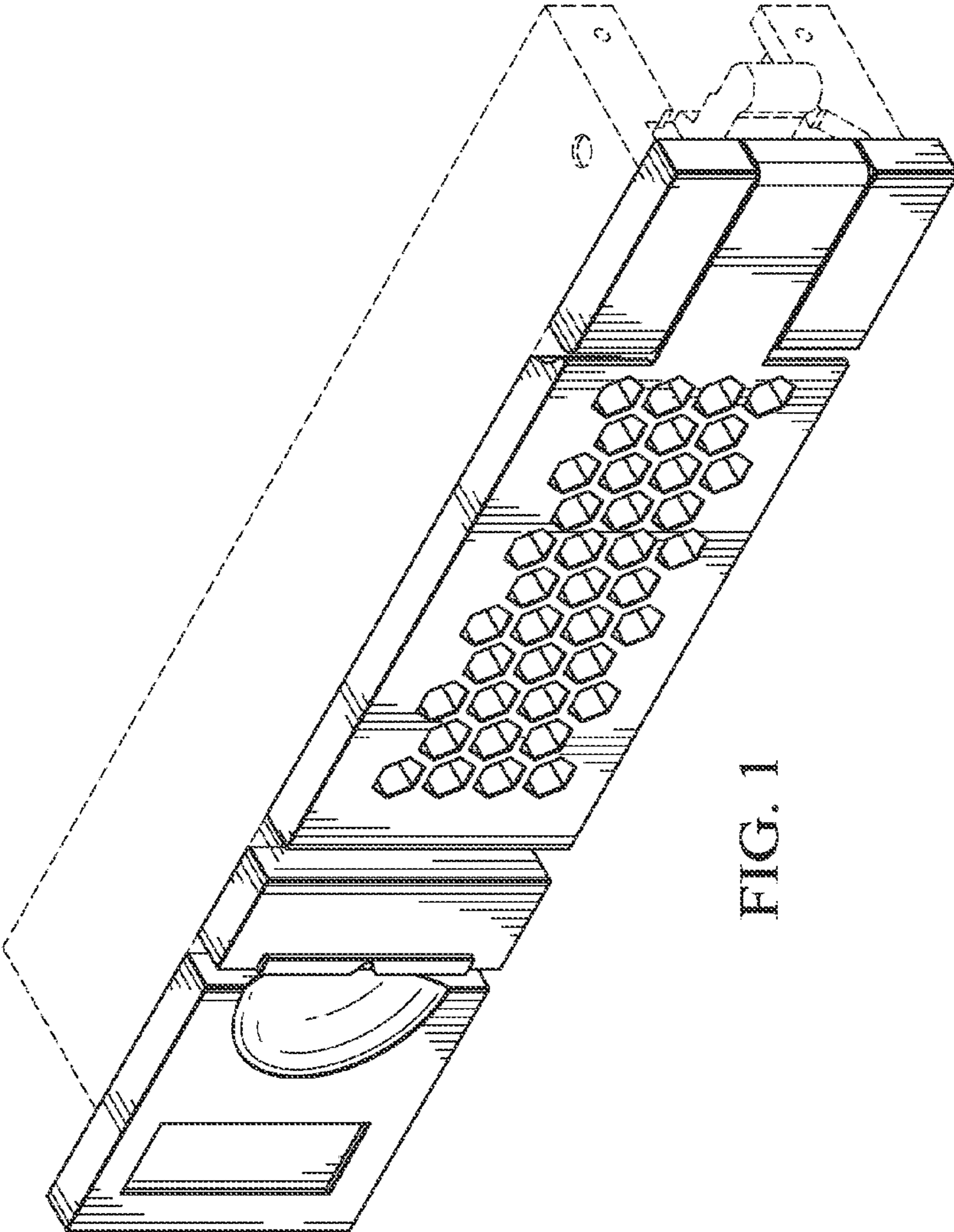


FIG. 1

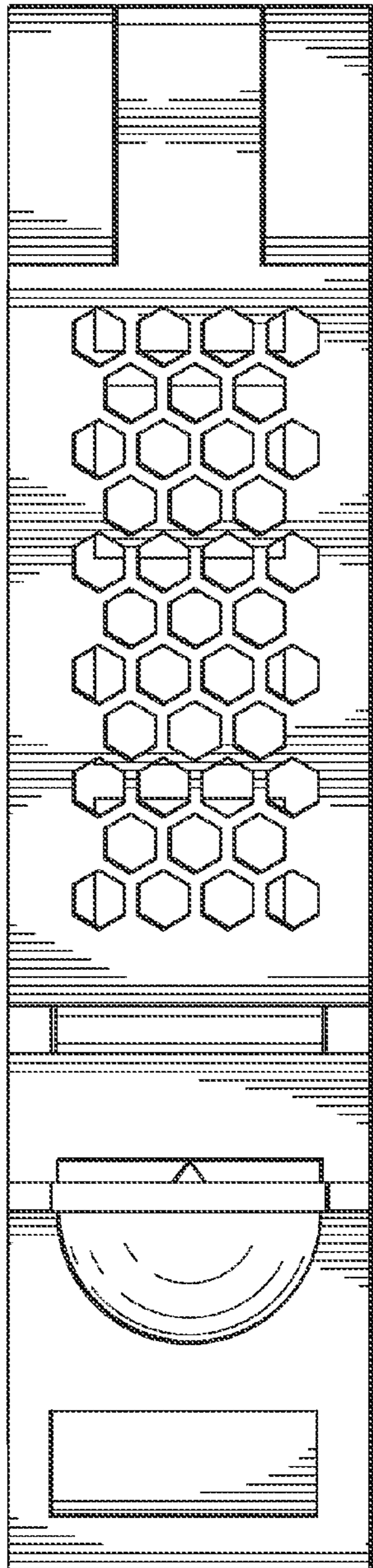


FIG. 2

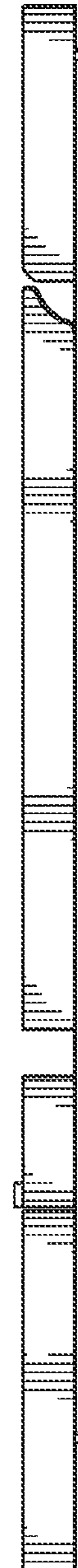


FIG. 3

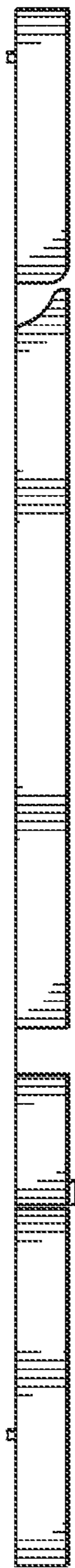


FIG. 4

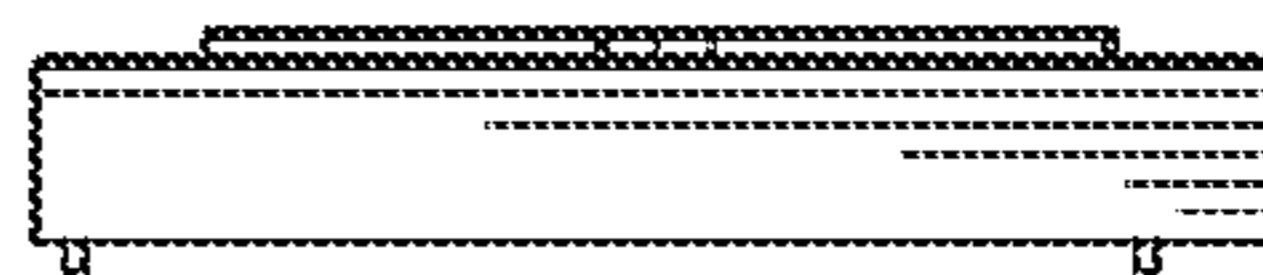


FIG. 5



FIG. 6

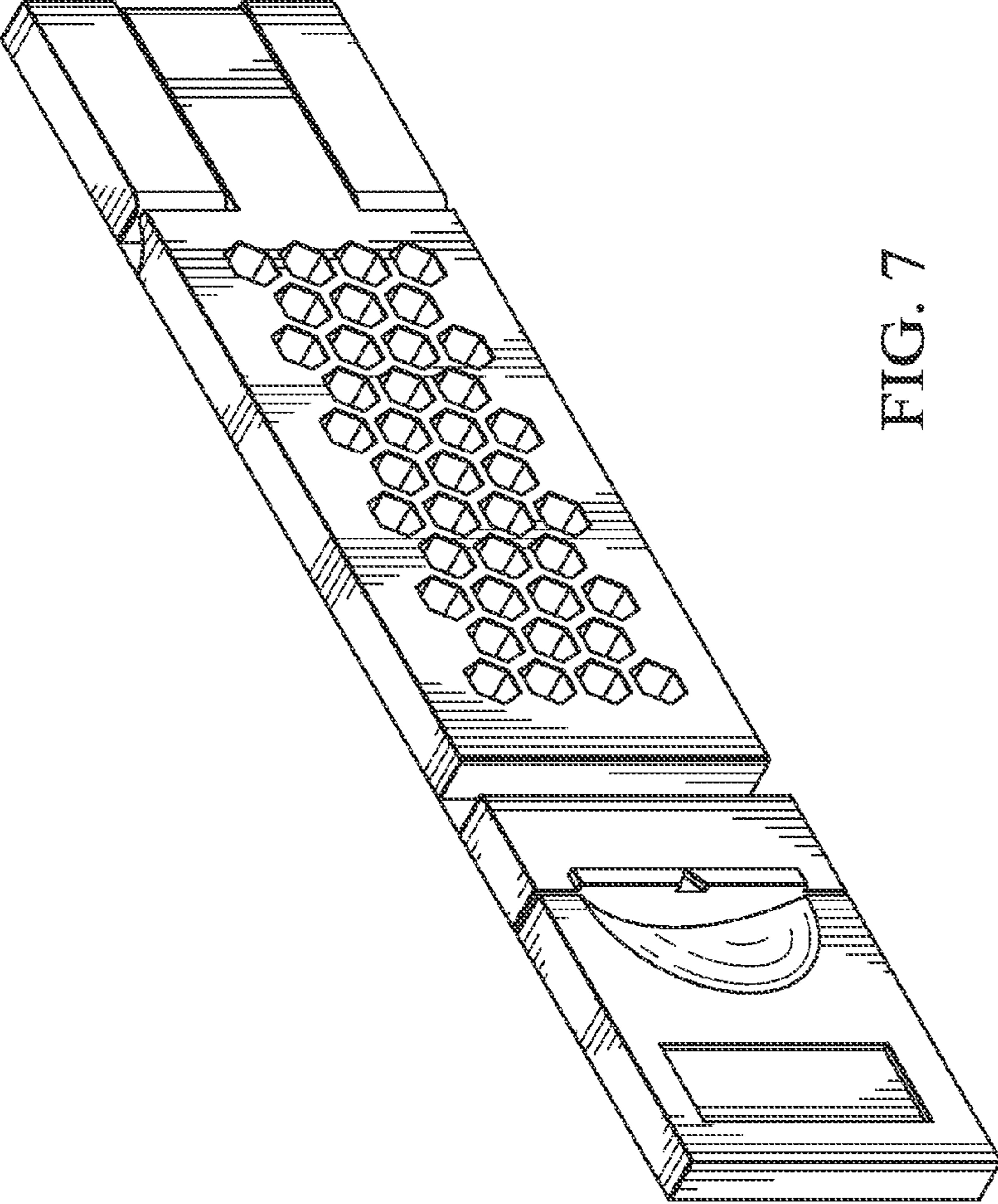


FIG. 7

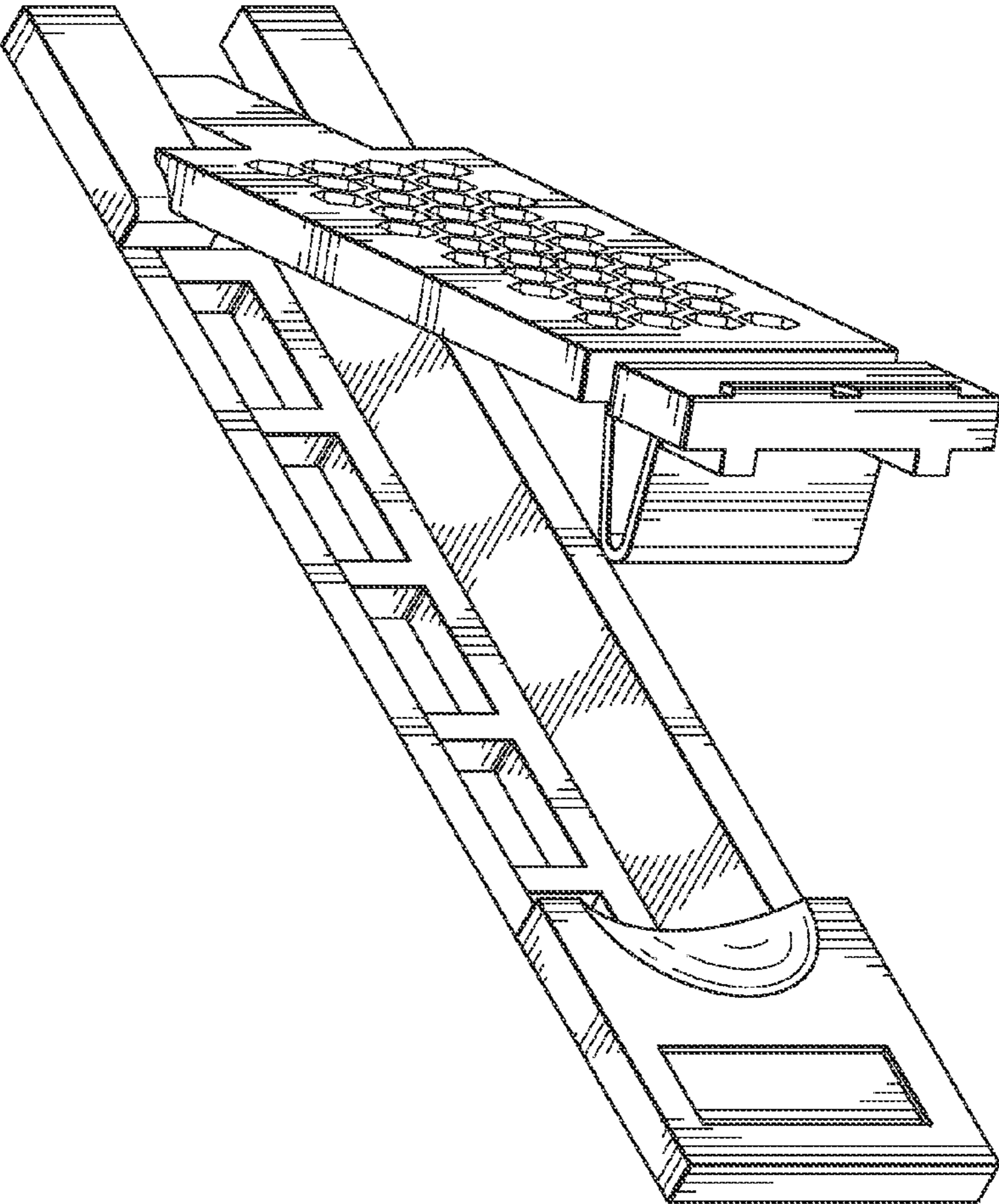


FIG. 8