

US00D643430S

(12) **United States Design Patent**
Nuovo et al.

(10) **Patent No.:** **US D643,430 S**

(45) **Date of Patent:** **** Aug. 16, 2011**

(54) **DOCKING STATION**

(75) Inventors: **Frank Nuovo**, Los Angeles, CA (US);
Jonathan Dry, Newbury Park, CA (US)

(73) Assignee: **Nokia Corporation**, Espoo (FI)

(**) Term: **14 Years**

(21) Appl. No.: **29/365,280**

(22) Filed: **Jul. 7, 2010**

(51) **LOC (9) Cl.** **14-02**

(52) **U.S. Cl.** **D14/434**

(58) **Field of Classification Search** D14/432-434,
D14/314, 204, 420, 421, 447, 217, 358; D13/107,
D13/108, 146; D8/373; 248/346.03, 176.1;
361/679.41, 679.31, 679.32, 679.4, 679.43,
361/679.55, 679.33; 320/109, 112-115;
710/15, 303; 455/557

See application file for complete search history.

(56) **References Cited**

U.S. PATENT DOCUMENTS

5,052,943	A *	10/1991	Davis	439/357
D416,536	S *	11/1999	Ross et al.	D13/107
D455,397	S *	4/2002	Weiner et al.	D13/108
6,509,715	B1 *	1/2003	LaRue	320/107
D479,240	S *	9/2003	Bradley	D14/434
D486,786	S *	2/2004	Eroma et al.	
D506,437	S *	6/2005	Nishizawa	D13/108

D508,916	S *	8/2005	Lee	D14/447
6,963,487	B2 *	11/2005	Billington et al.	361/679.41
D520,013	S *	5/2006	Yang	D14/434
7,054,148	B2 *	5/2006	Chen et al.	361/679.4
D532,005	S	11/2006	Leith	
D535,987	S	1/2007	Kettula et al.	
D577,358	S	9/2008	Kettula et al.	
D585,897	S *	2/2009	Carnevali	D14/434
D588,141	S *	3/2009	Heggland et al.	D14/451
D602,917	S *	10/2009	Bentley	D14/224
D606,491	S	12/2009	Rosen	

* cited by examiner

Primary Examiner — Freda Nunn

(74) *Attorney, Agent, or Firm* — Banner & Witcoff, Ltd.

(57) **CLAIM**

The ornamental design for a docking station, as shown and described.

DESCRIPTION

FIG. 1 is a perspective front view of a docking station showing my new design;

FIG. 2 is a front view thereof;

FIG. 3 is a rear view thereof;

FIG. 4 is a left side view thereof;

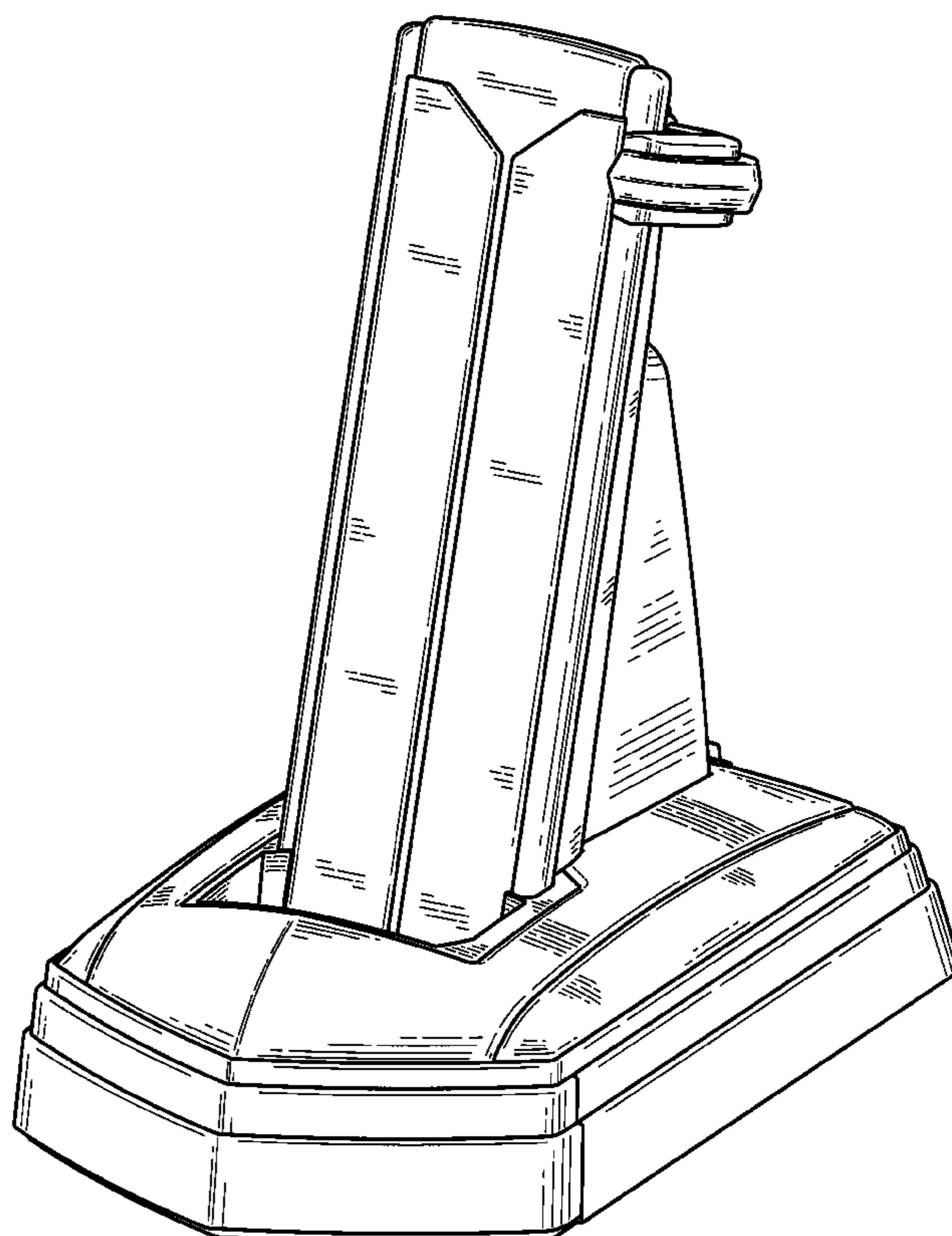
FIG. 5 is a right side view thereof;

FIG. 6 is a top view thereof; and,

FIG. 7 is a bottom view thereof.

Broken lines shown in the drawings illustrate portions of the docking station and form no part of the claimed design.

1 Claim, 7 Drawing Sheets



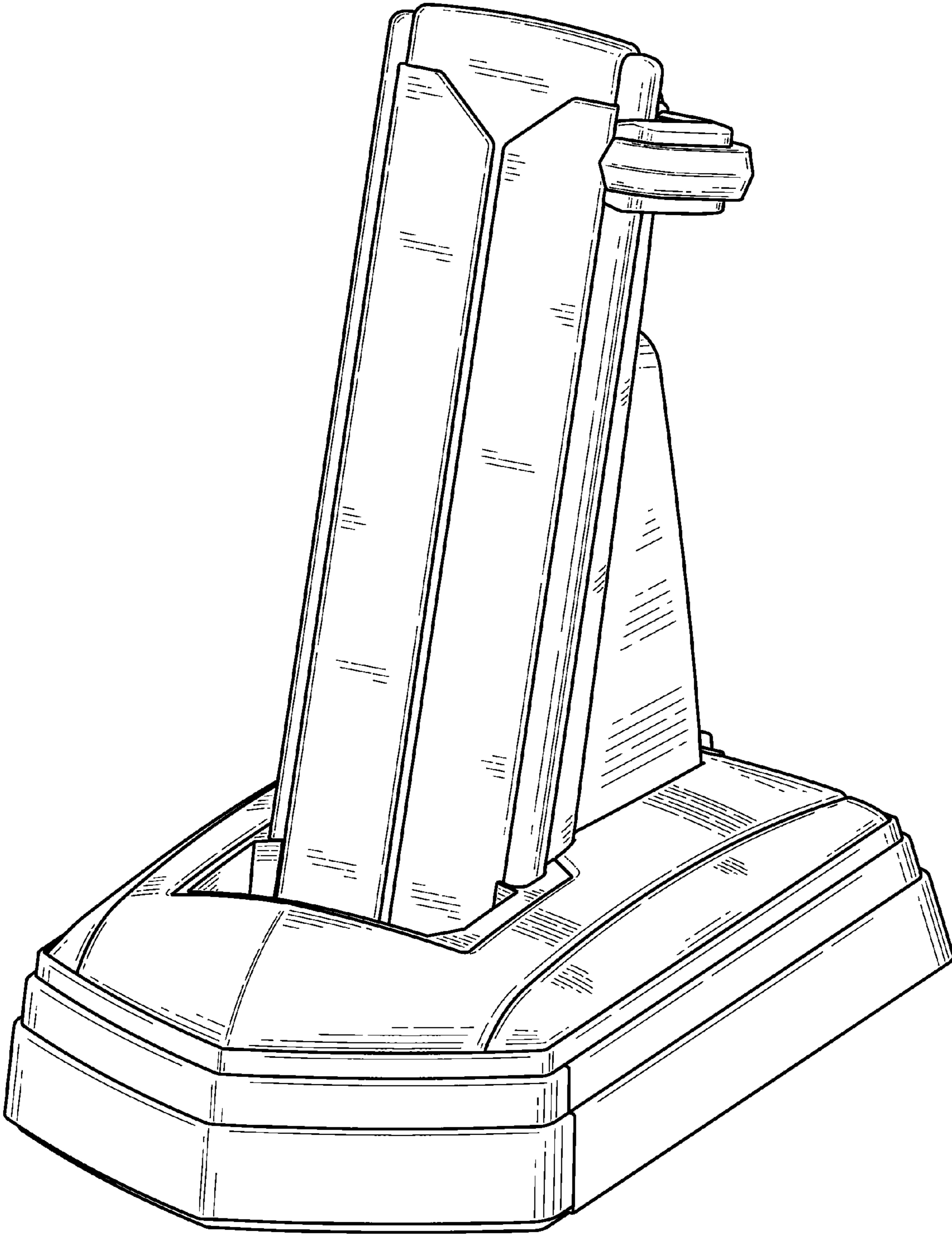


FIG. 1

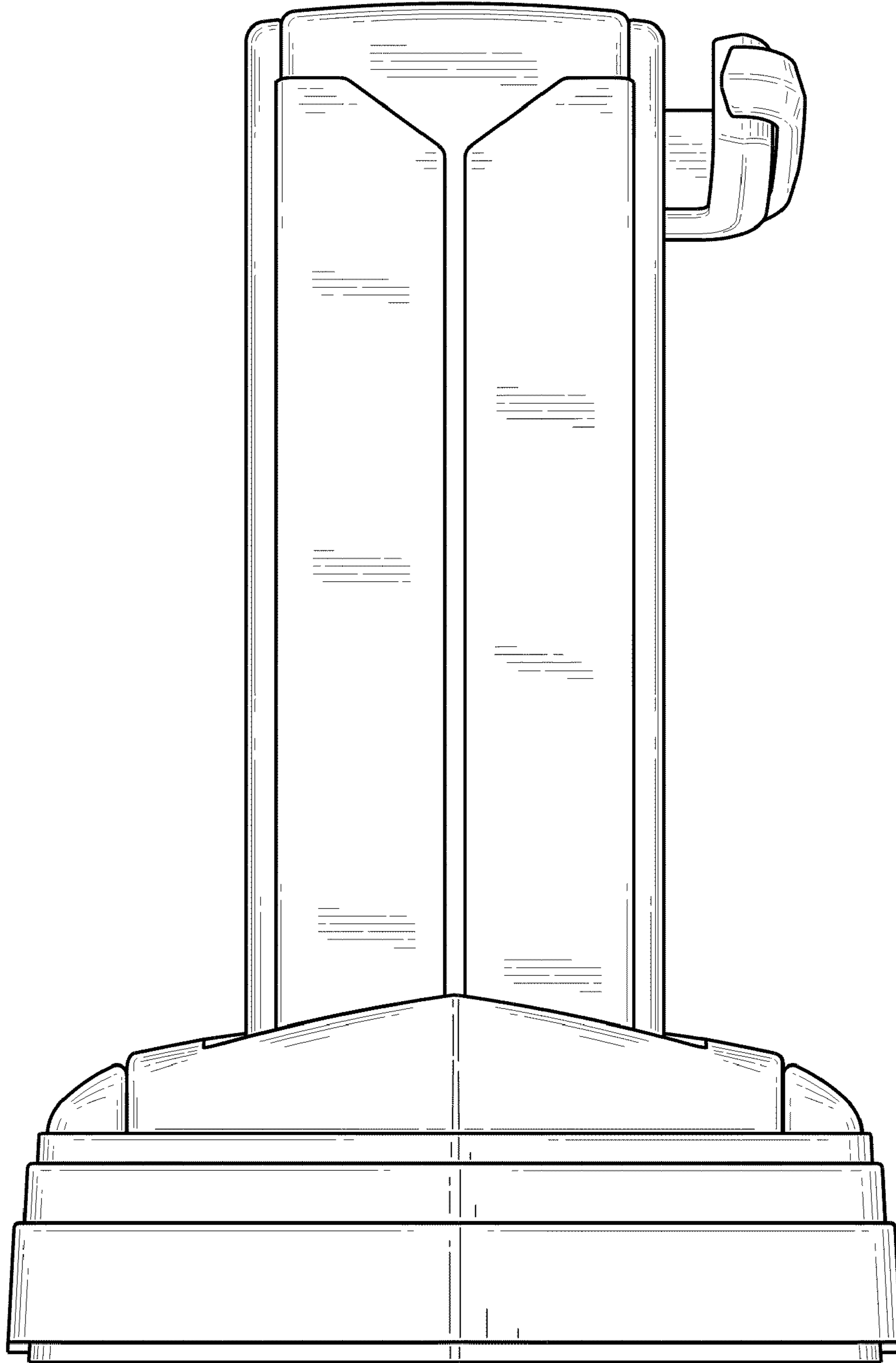


FIG. 2

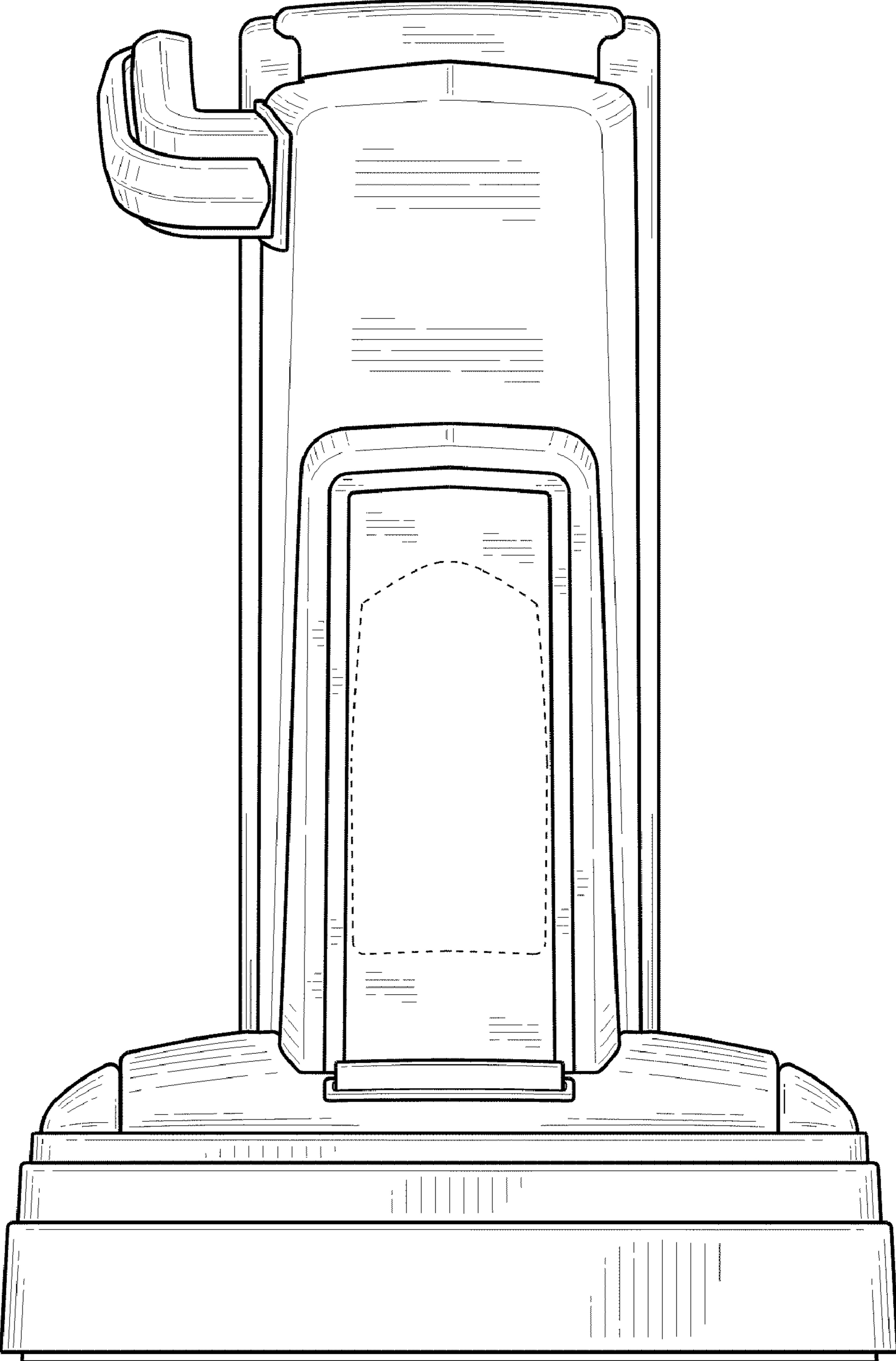


FIG. 3

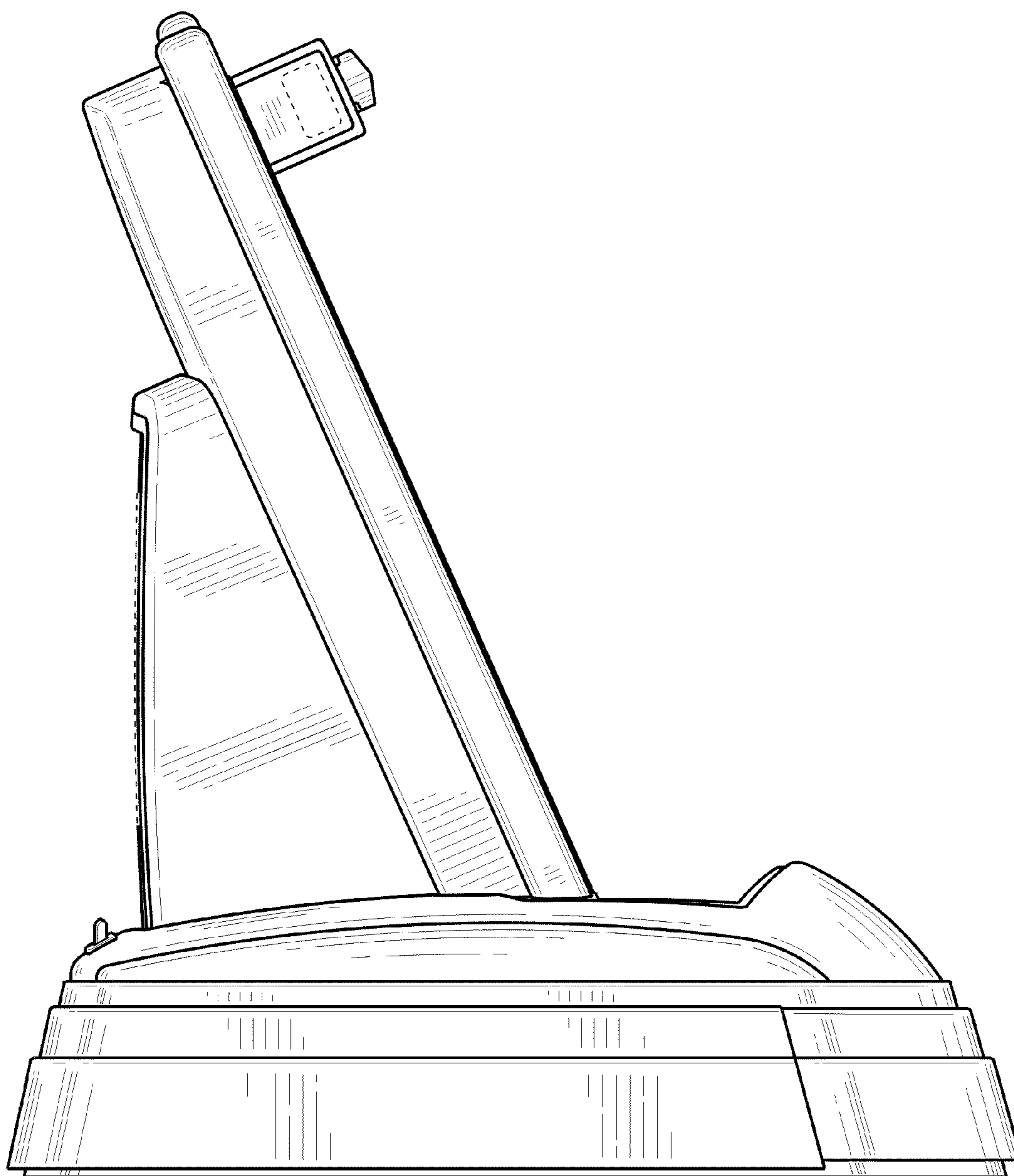


FIG. 4

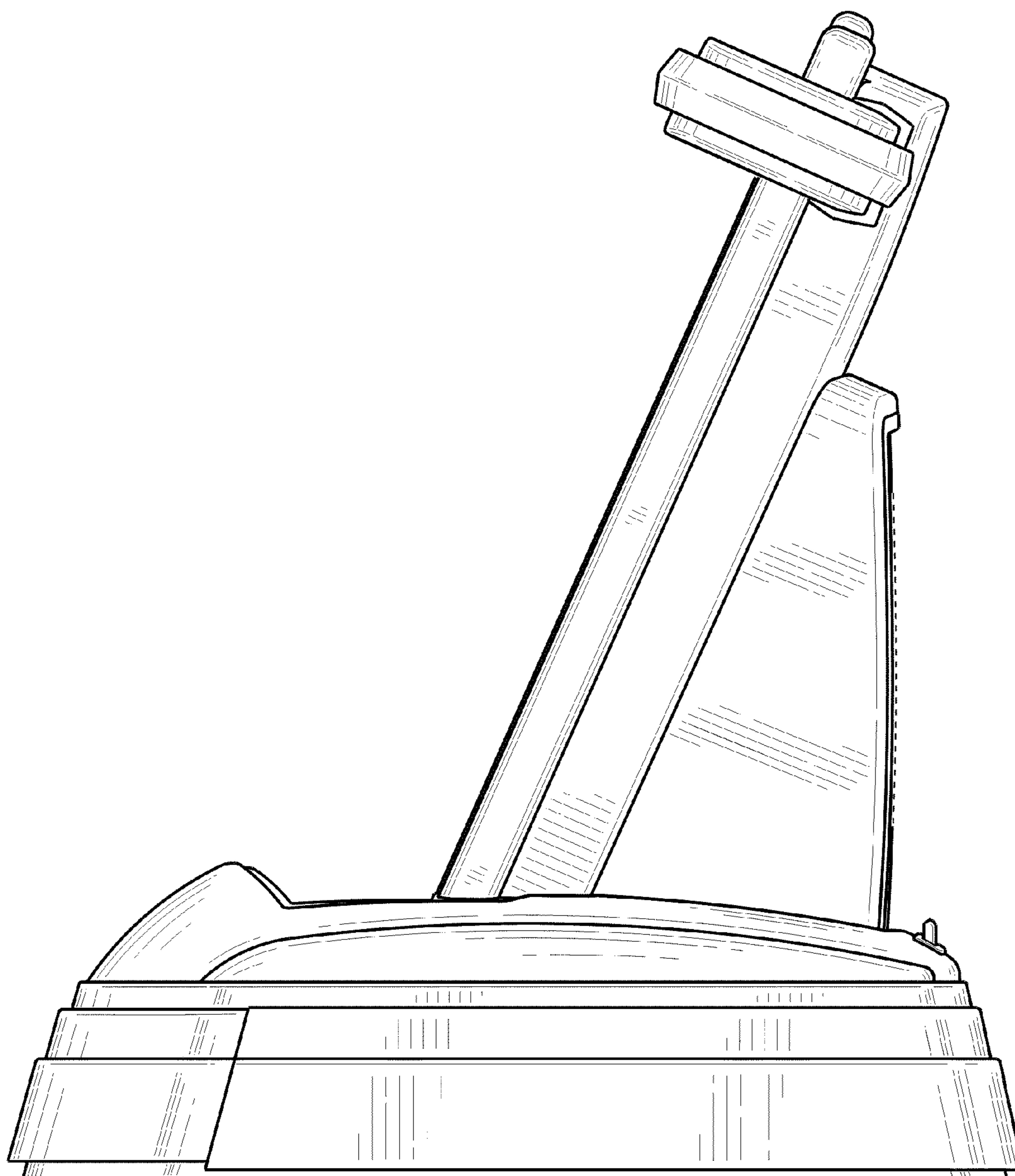


FIG. 5

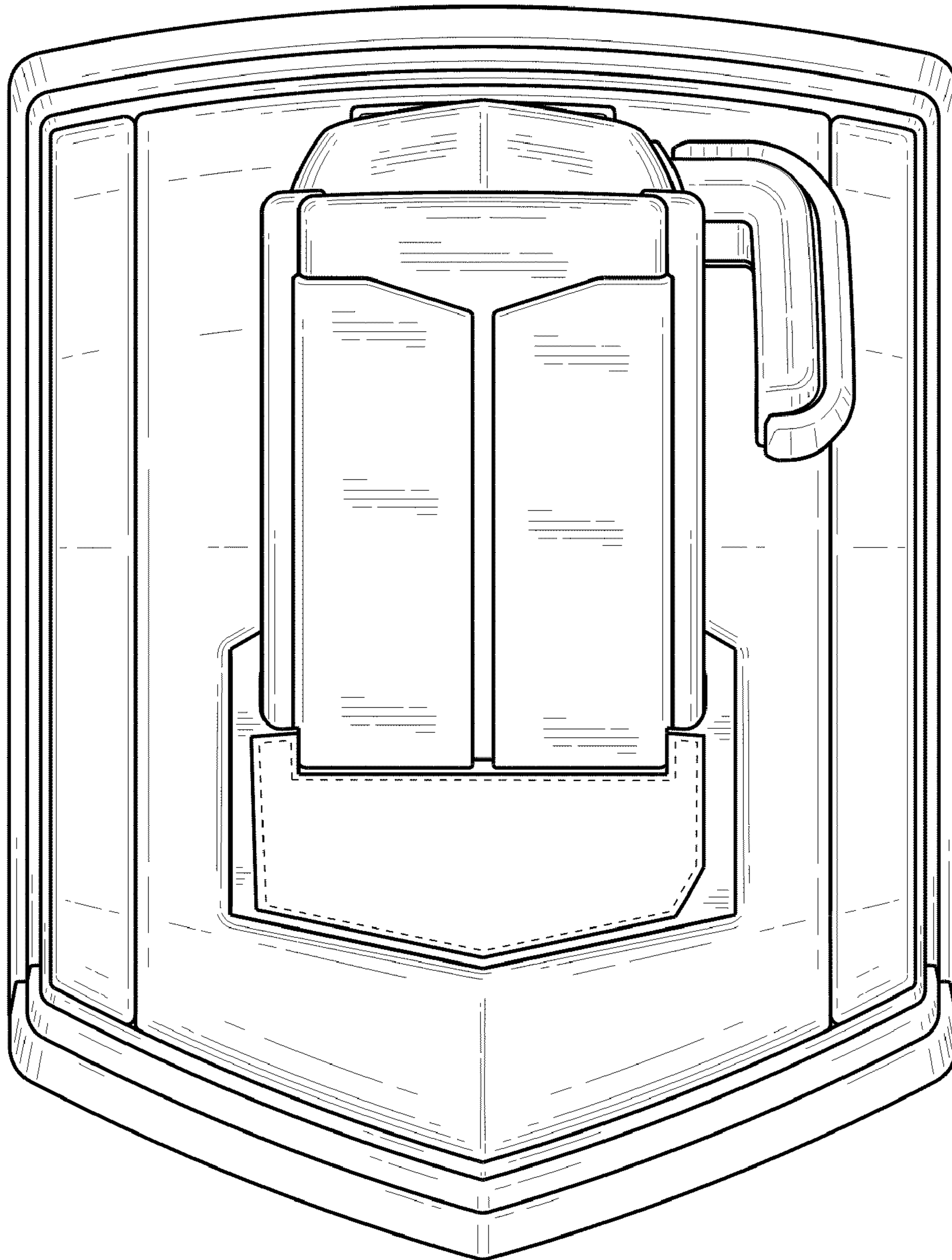


FIG. 6

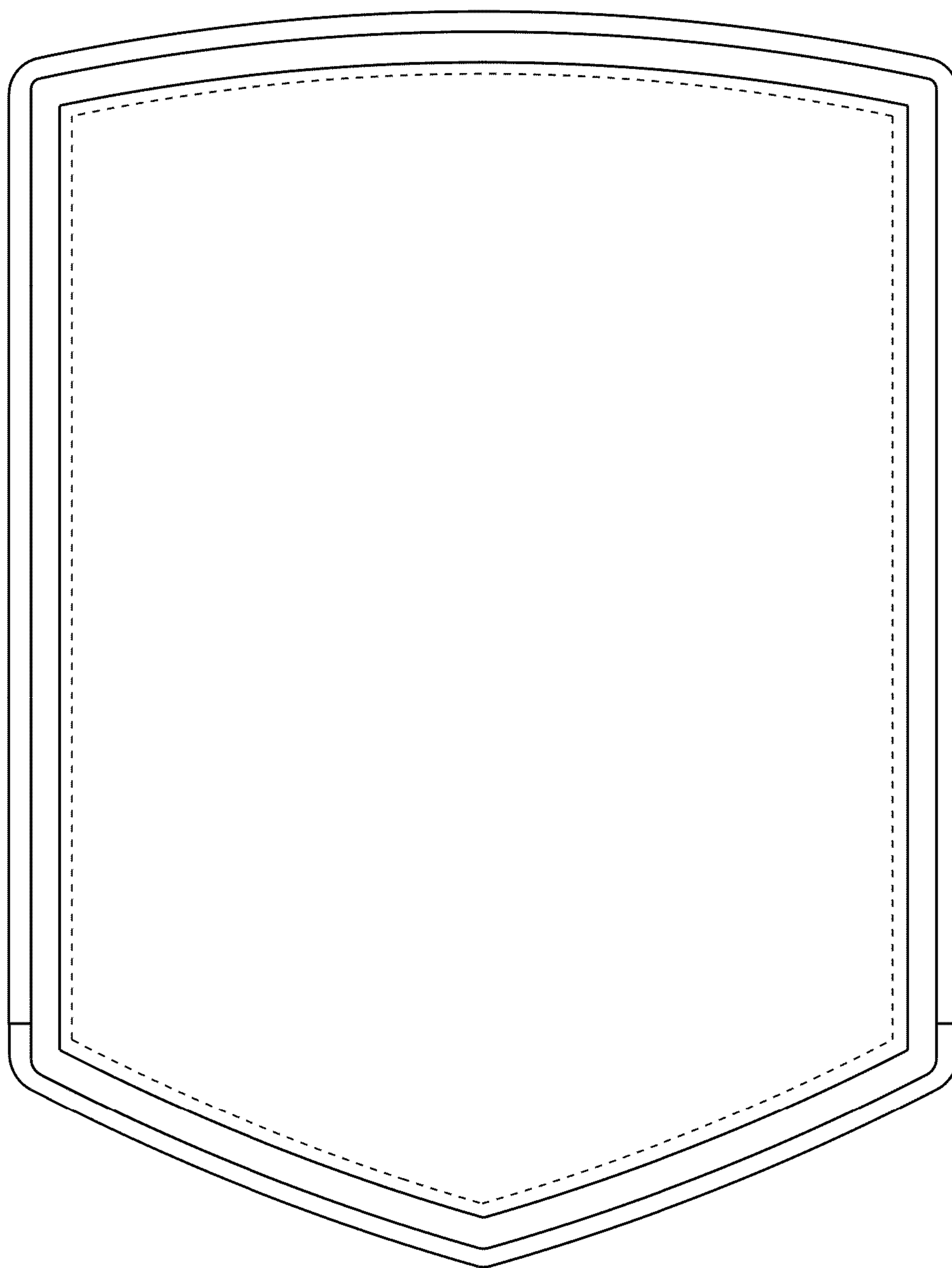


FIG. 7