

US00D643421S

(12) **United States Design Patent**
Russell et al.

(10) **Patent No.:** **US D643,421 S**

(45) **Date of Patent:** **** Aug. 16, 2011**

- (54) **ELECTRONIC DISPLAY MOUNT**
- (75) Inventors: **Scott Russell**, Woodbury, MN (US); **Joe Vail**, Coon Rapids, MN (US)
- (73) Assignee: **Milestone AV Technologies LLC**, Savage, MN (US)

(**) Term: **14 Years**

(21) Appl. No.: **29/363,007**

(22) Filed: **Jun. 3, 2010**

(51) **LOC (9) Cl.** **14-03**

(52) **U.S. Cl.** **D14/239**

(58) **Field of Classification Search** D14/125-134, D14/239, 371, 136, 374-377; D8/363, 373, D8/349, 394; 248/465, 917-924, 123.11; 348/825, 827, 836, 837, 838, 180, 184, 325, 348/739; 600/443; D6/477-479, 407, 474, D6/460, 461, 468; 312/7.2; 341/12; 345/87, 345/104, 133, 156, 168, 169, 173; 720/605, 720/669, 600, 655; 369/99, 197; 455/344-347; 349/1, 2, 11, 62; 108/59, 91, 92, 96; 211/40, 211/41.12, 42, 49.1, 50, 85.2, 90.04, 187, 211/190, 119.003, 134.153, 87.01, 71.01

See application file for complete search history.

(56) **References Cited**

U.S. PATENT DOCUMENTS

D286,495	S *	11/1986	Blomdahl	D8/373
D342,015	S *	12/1993	Andrejew	D8/373
D493,800	S *	8/2004	Pfister et al.	D14/451
D494,596	S *	8/2004	Pfister	D14/451
7,086,543	B2 *	8/2006	Remmers	211/94.01
D530,595	S *	10/2006	Lam et al.	D8/373
7,152,836	B2	12/2006	Pfister et al.		
7,178,775	B2	2/2007	Pfister et al.		
7,401,705	B2 *	7/2008	Craft	211/90.01
7,438,269	B2	10/2008	Pfister et al.		
D594,001	S *	6/2009	Sexton	D14/239
D595,702	S *	7/2009	Bremmon et al.	D14/239
D598,458	S *	8/2009	Li	D14/451

D605,185	S *	12/2009	Russell et al.	D14/239
D621,820	S *	8/2010	Liang	D14/239
2005/0109901	A1 *	5/2005	Stitchick et al.	248/235
2008/0054147	A1 *	3/2008	Muday et al.	248/316.8
2008/0258029	A1 *	10/2008	Zhang	248/284.1
2009/0139943	A1 *	6/2009	Fernandez	211/94.01

OTHER PUBLICATIONS

Brochure Entitled: Panel Display Pivot Mount for Model Nos. PDM 625, PDM 110 and PDM 120, 4 pgs. No date available.
Plasma TV Wall Mount Installation Manual entitled: *Wall Mount Kit for Plasma TV Screens*, Rev 1.0, dated Nov. 2003, pp. 1-12.

(Continued)

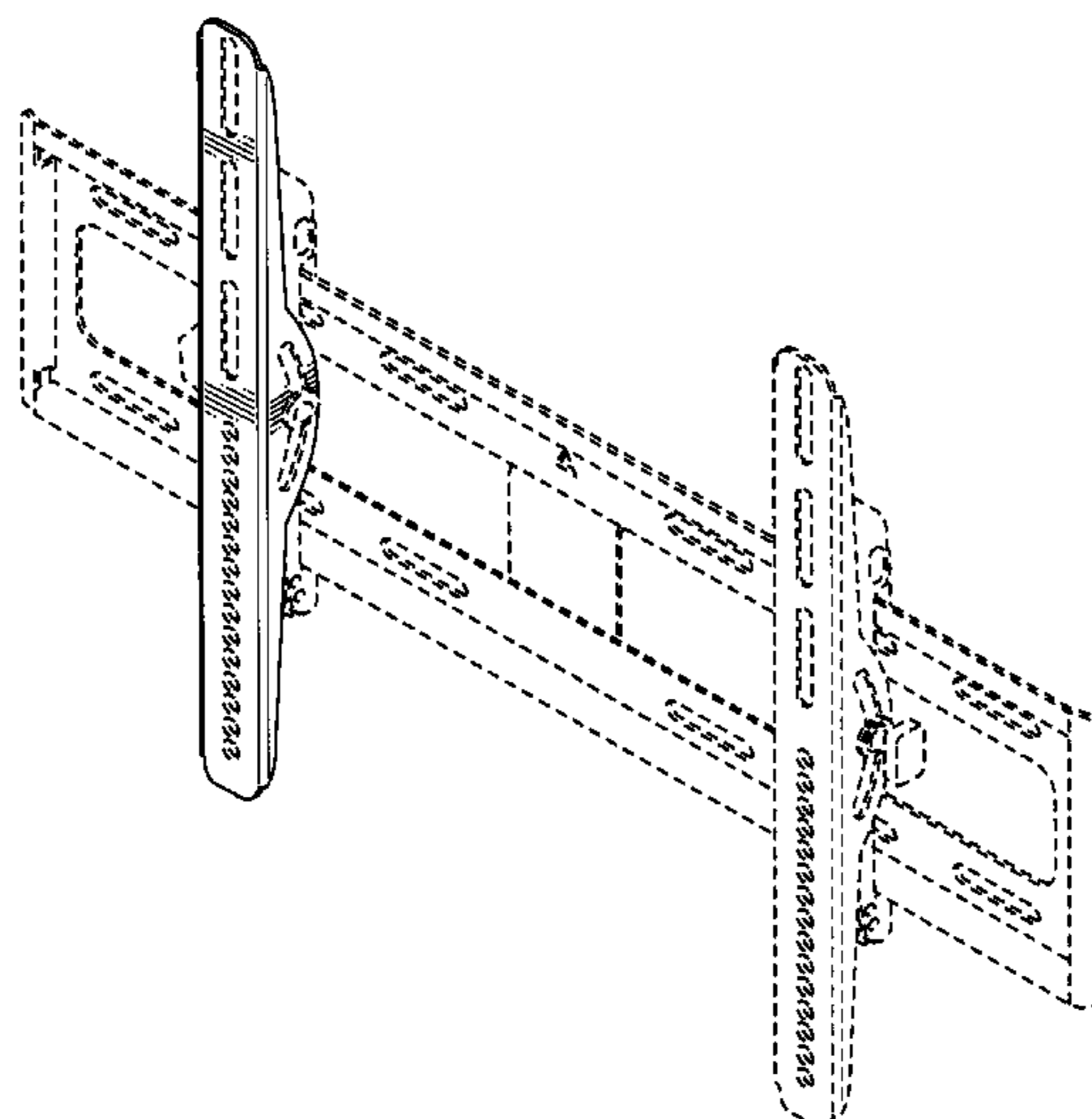
Primary Examiner — Raphael Barkai
Assistant Examiner — Randall Gholson
(74) *Attorney, Agent, or Firm* — Patterson Thuent Christensen Pedersen, P.A.

(57) **CLAIM**
The ornamental design for an electronic display mount, as shown and described.

DESCRIPTION

FIG. 1 is a front perspective view of an electronic display mount according to the invention;
FIG. 2 is an enlarged front perspective view of the electronic display mount depicted in FIG. 1;
FIG. 3 is a front elevation view of the electronic display mount depicted in FIG. 2;
FIG. 4 is a left side elevation view of the electronic display mount depicted in FIG. 2;
FIG. 5 is a right side elevation view of the electronic display mount depicted in FIG. 2;
FIG. 6 is a top plan view of the electronic display mount depicted in FIG. 2; and,
FIG. 7 is a bottom plan view of the electronic display mount depicted in FIG. 2.
Structure depicted in broken lines is for the purpose of illustrating environment and forms no part of the claimed design.

1 Claim, 3 Drawing Sheets



OTHER PUBLICATIONS

Brochure Entitled: Peerless® Flat Panel SmartMount™ Universal Tilt Wall Mount for 32" to 50" Plasma and LCD Flat Panel Screens, 2 pgs. . © 2006.

Brochure Entitled: Peerless® Flat Panel SmartMount™ Universal Tilt Wall Mount for 61" to 102" Plasma and LCD Flat Panel Screens, 2 pgs. . © 2006.

Brochure Entitled: Peerless® Flat Panel SmartMount™ Universal Tilt Wall Mount for 42" to 71" Plasma and LCD Flat Panel Screens, 2 pgs. . © 2006.

Brochure Entitled: Peerless® Flat Panel SmartMount™ Universal Tilt Wall Mount for 32" to 60" Plasma and LCD Flat Panel Screens, 2 pgs. . © 2006.

Brochure Entitled: Peerless® Flat Panel SmartMount™ Universal Tilt Wall Mount for 23" to 46" LCD Flat Panel Screens, 2 pgs. . © 2006.

Brochure Entitled: Peerless® Flat Panel SmartMount™ Universal Flat Wall Mount for 61" to 102" Plasma and LCD Flat Panel Screens, 2 pgs.

Brochure Entitled: Peerless® Flat Panel SmartMount™ Universal Flat Wall Mount for 42" to 71" Plasma and LCD Flat Panel Screens, 2 pgs. . © 2006.

Brochure Entitled: Peerless® Flat Panel SmartMount™ Universal Flat Wall Mount for 32" to 60" Plasma and LCD Flat Panel Screens, 2 pgs. . © 2006.

Brochure Entitled: Peerless® Flat Panel SmartMount™ Universal Flat Wall Mount for 23" to 46" LCD Flat Panel Screens, 2 pgs. . © 2006.

Brochure Entitled: Peerless® Solid Solutions—Solid Support™ Installation and Assembly: SmartMount™ Universal Tilt Wall Mount for 22"-49" Screens, pp. 12, issued Mar. 31, 2005.

ViewSonic Mount, pp. 1. circa 2005.

Hitachi Mount, pp. 1. circa 2005.

Sanus Systems Catalog © 2008, a division of Milestone AV Technologies, 7 Pgs.

* cited by examiner

Fig. 1

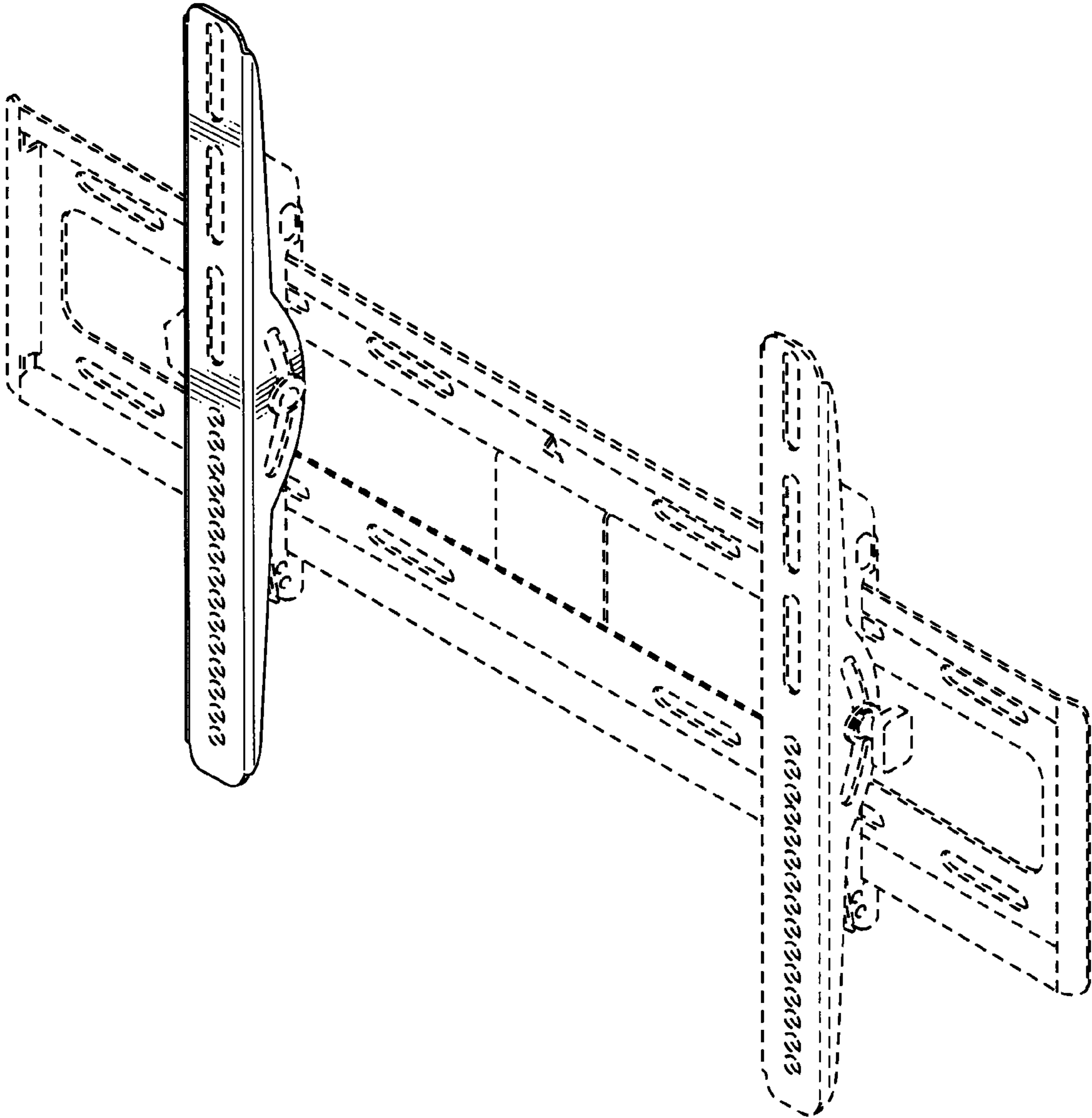


Fig. 2

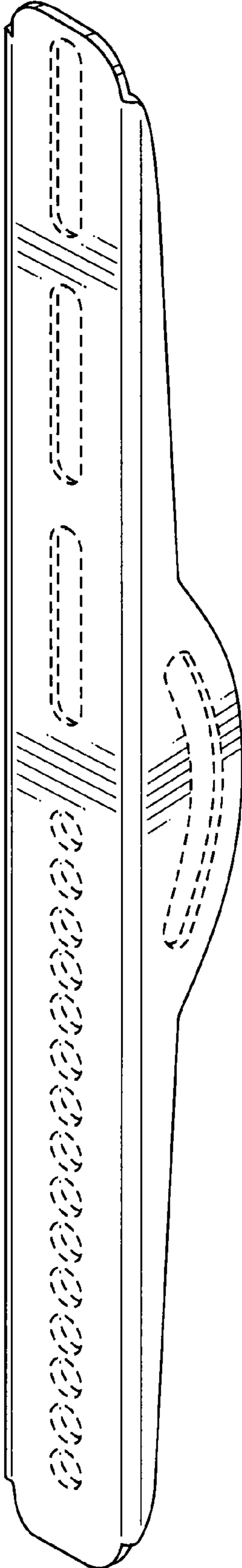


Fig. 3

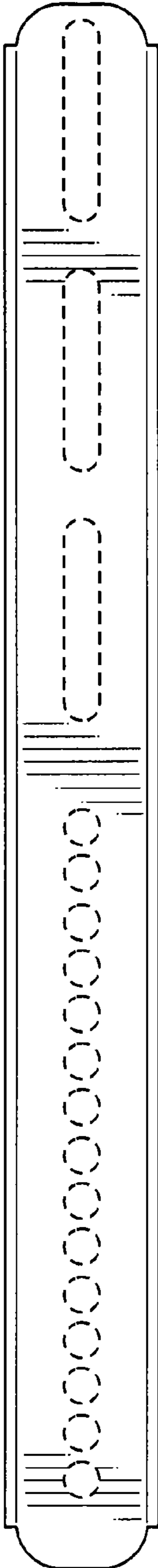


Fig. 4

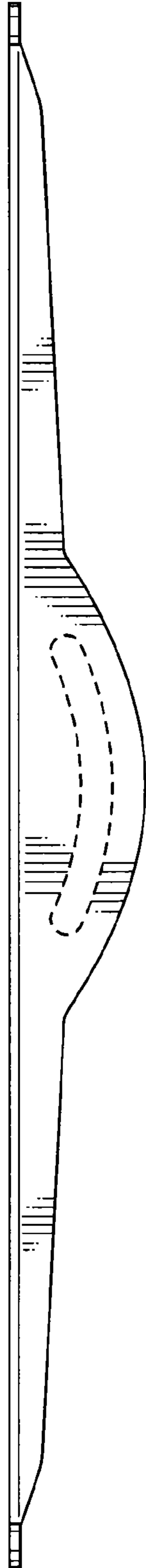


Fig. 5

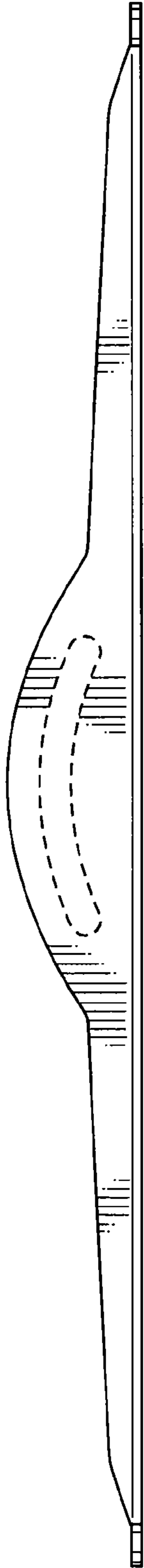


Fig. 6

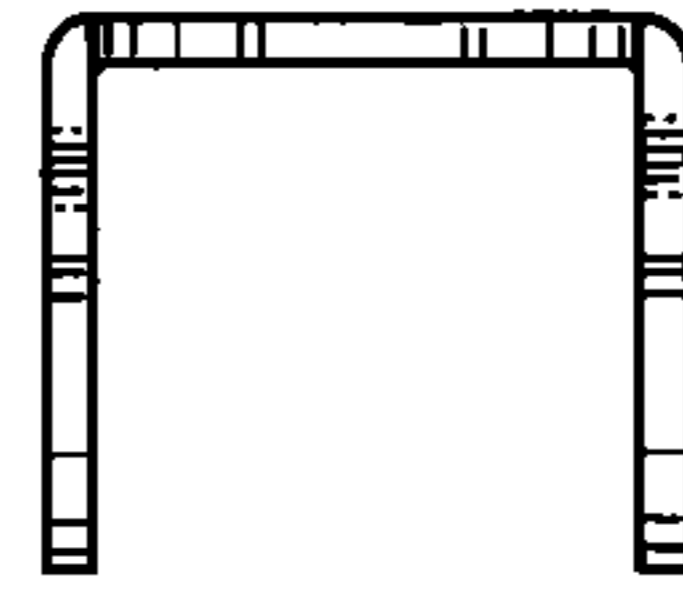


Fig. 7

