



US00D643420S

(12) **United States Design Patent**
Huang

(10) **Patent No.:** **US D643,420 S**

(45) **Date of Patent:** **** Aug. 16, 2011**

(54) **HEADSET**

(75) Inventor: **Chao Huang**, Helsinki (FI)

(73) Assignee: **Nokia Corporation**, Espoo (FI)

(**) Term: **14 Years**

(21) Appl. No.: **29/375,446**

(22) Filed: **Sep. 22, 2010**

(51) **LOC (9) Cl.** **14-01**

(52) **U.S. Cl.** **D14/223**

(58) **Field of Classification Search** D14/205,
D14/206, 223; 181/129, 130, 135; 379/430,
379/431, 420.02, 433.02; 381/380, 381;
D24/174; 455/90.3, 569.1, 575.1

See application file for complete search history.

(56) **References Cited**

U.S. PATENT DOCUMENTS

D511,770 S *	11/2005	Chung	D14/480.5
7,079,664 B2 *	7/2006	Nassimi	381/380
D538,271 S *	3/2007	Kim et al.	D14/223
D555,151 S *	11/2007	Eklund	D14/223
D566,108 S *	4/2008	Kan	D14/223
D566,692 S	4/2008	Sade et al.		
D575,276 S	8/2008	Bradford et al.		
D579,924 S	11/2008	Sade et al.		
D582,899 S *	12/2008	Wai	D14/223
D585,430 S *	1/2009	Kim et al.	D14/223
D585,431 S	1/2009	Bradford et al.		
D590,377 S *	4/2009	Bradford	D14/223
D590,378 S	4/2009	Bradford		
D590,813 S	4/2009	Bradford et al.		
D590,814 S *	4/2009	Bradford	D14/223
D595,272 S *	6/2009	Kim et al.	D14/223
D595,698 S *	7/2009	Guccione et al.	D14/223
D596,166 S *	7/2009	Henning	D14/223
D598,900 S *	8/2009	Wikel et al.	D14/223
D603,377 S *	11/2009	Chung	D14/223
D603,378 S *	11/2009	Paradise	D14/223

D604,722 S *	11/2009	Mistry	D14/223
D608,766 S	1/2010	Brickstad		
D610,575 S	2/2010	Brickstad		
D616,873 S *	6/2010	Olivier	D14/223
D617,779 S *	6/2010	Nylen	D14/223
D620,927 S *	8/2010	Li	D14/223
D624,904 S *	10/2010	Lim	D14/223
D629,396 S *	12/2010	Andre et al.	D14/223
D636,381 S *	4/2011	Liner	D14/223
D637,184 S *	5/2011	March	D14/223
D640,242 S *	6/2011	Fahrendorff et al.	D14/223

OTHER PUBLICATIONS

Nokia Model BH-609, Nokia Corporation, 1 color sheet of photographs, disclosed on or about Sep. 14, 2010.

Nokia Model BH-108, Nokia Corporation, 1 color sheet of photographs, disclosed on or about May 2010.

* cited by examiner

Primary Examiner — Paula Greene

(74) *Attorney, Agent, or Firm* — Banner & Witcoff, Ltd.

(57) **CLAIM**

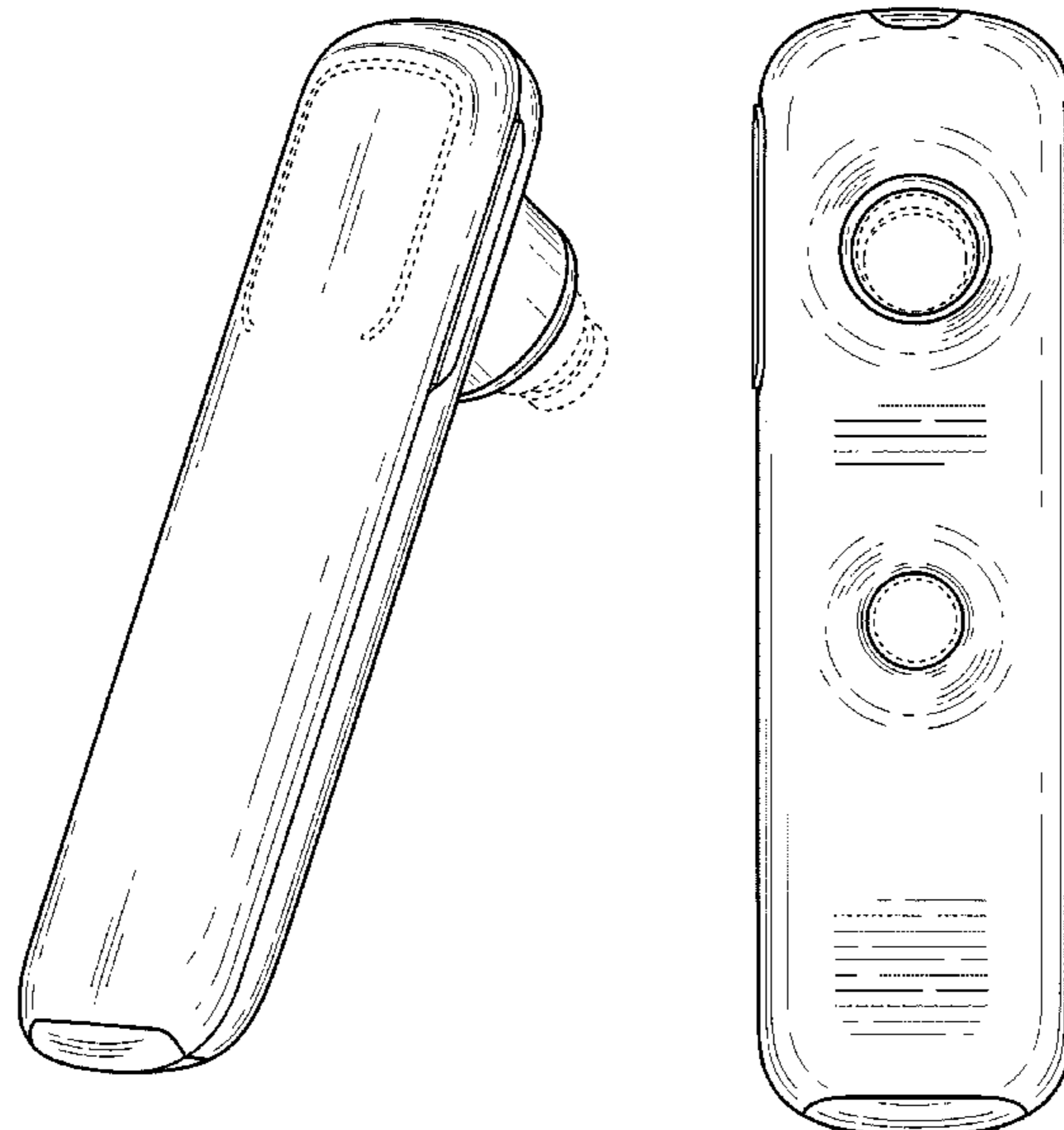
The ornamental design for a headset, as shown and described.

DESCRIPTION

FIG. 1 is a perspective view of a headset showing my new design;
FIG. 2 is a front view thereof;
FIG. 3 is a rear view thereof;
FIG. 4 is a left side view thereof;
FIG. 5 is a right side view thereof;
FIG. 6 is a top view thereof; and,
FIG. 7 is a bottom view thereof.

The broken lines showing the environmental structure of the headset, and the unshaded regions within the broken lines, in FIGS. 1-7 is for illustrative purposes only and forms no part of the claimed design.

1 Claim, 4 Drawing Sheets



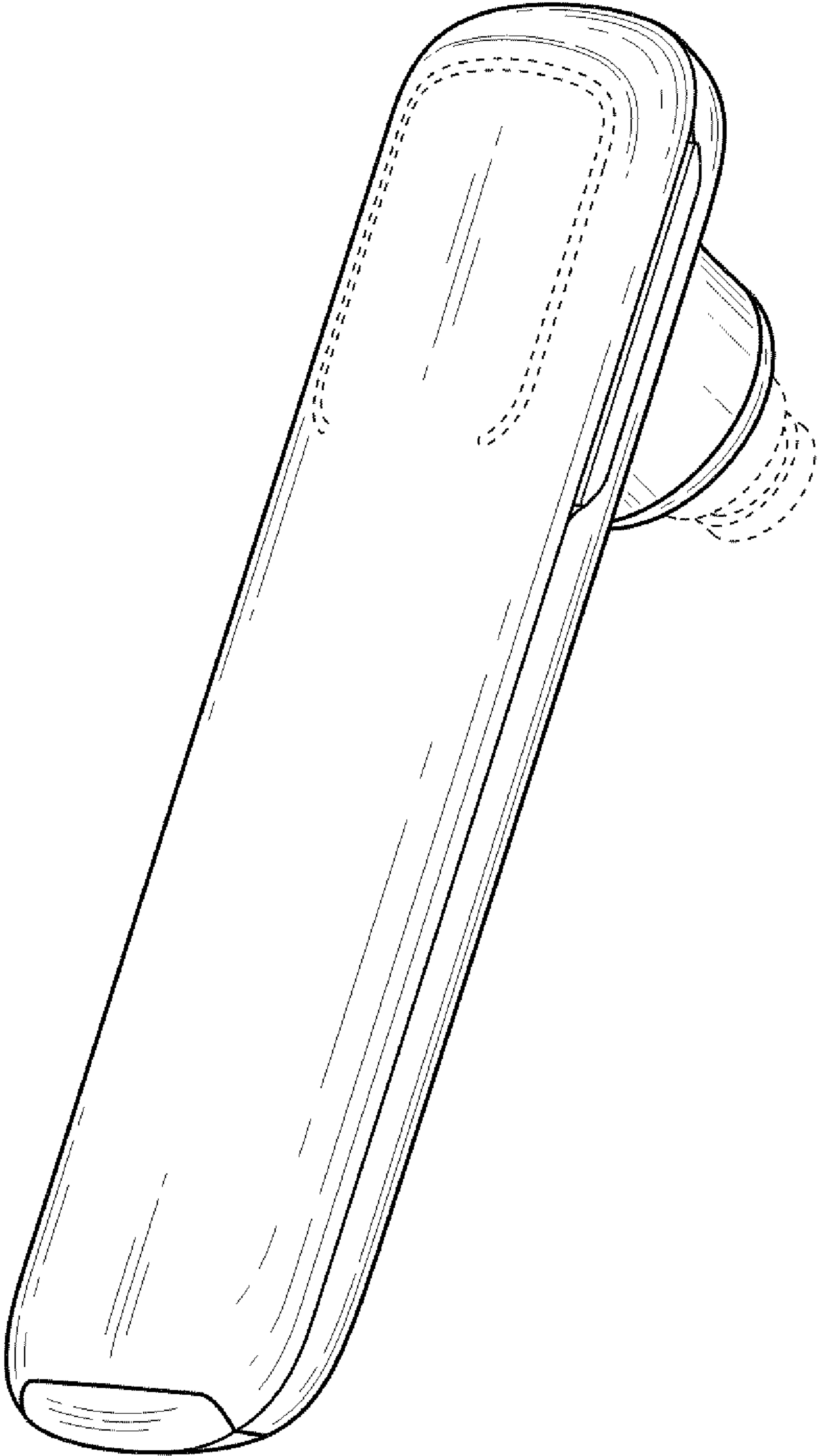


FIG. 1

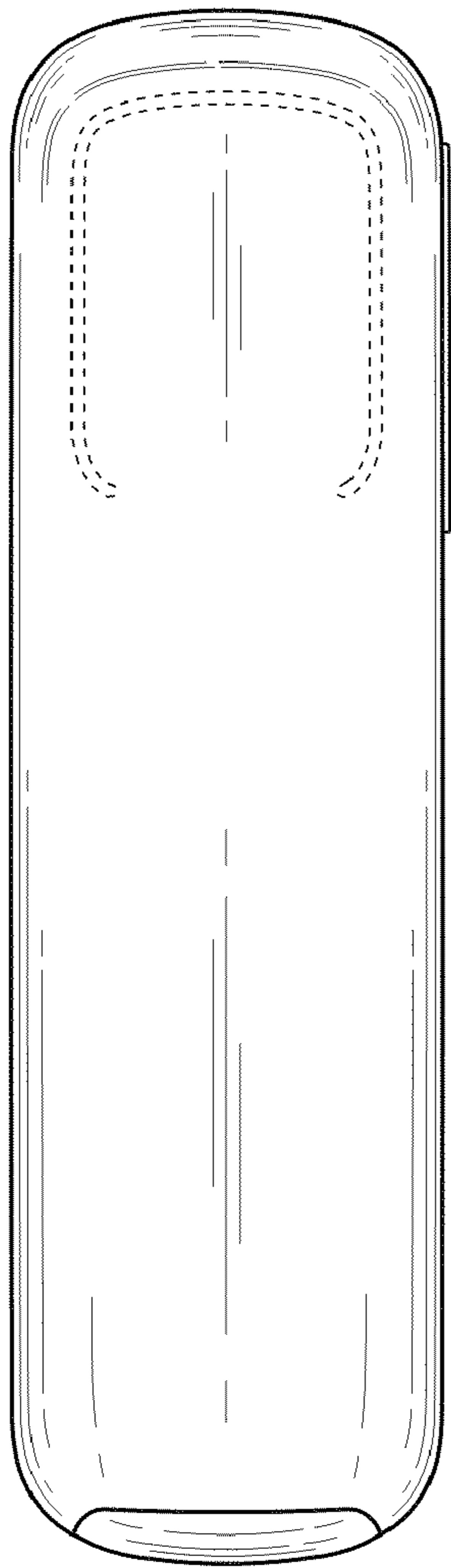


FIG. 2

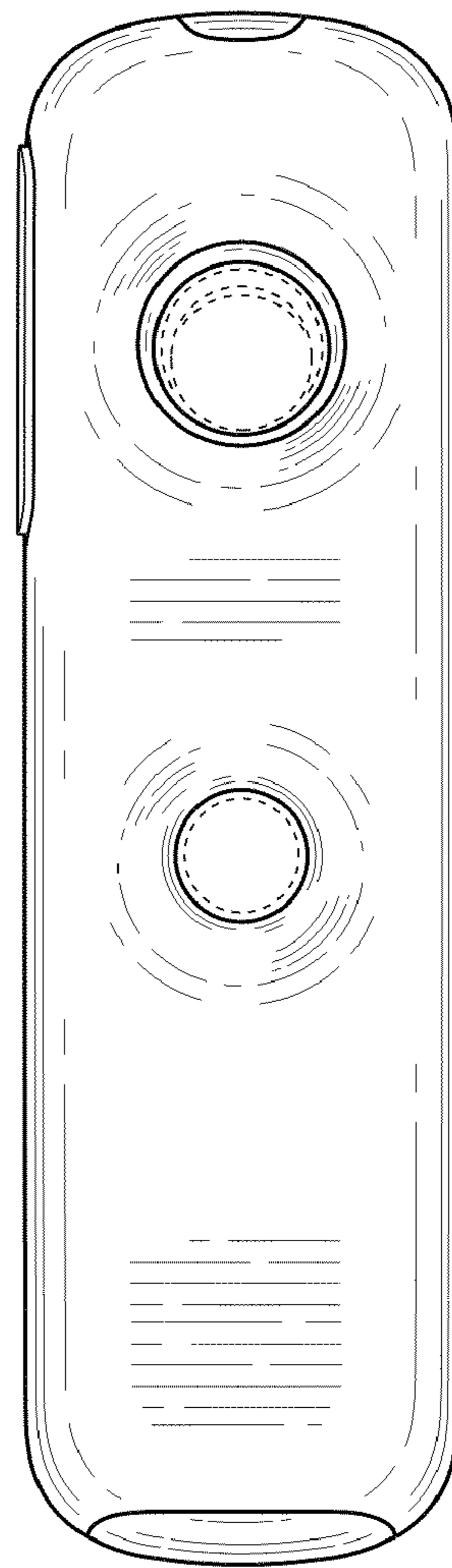


FIG. 3

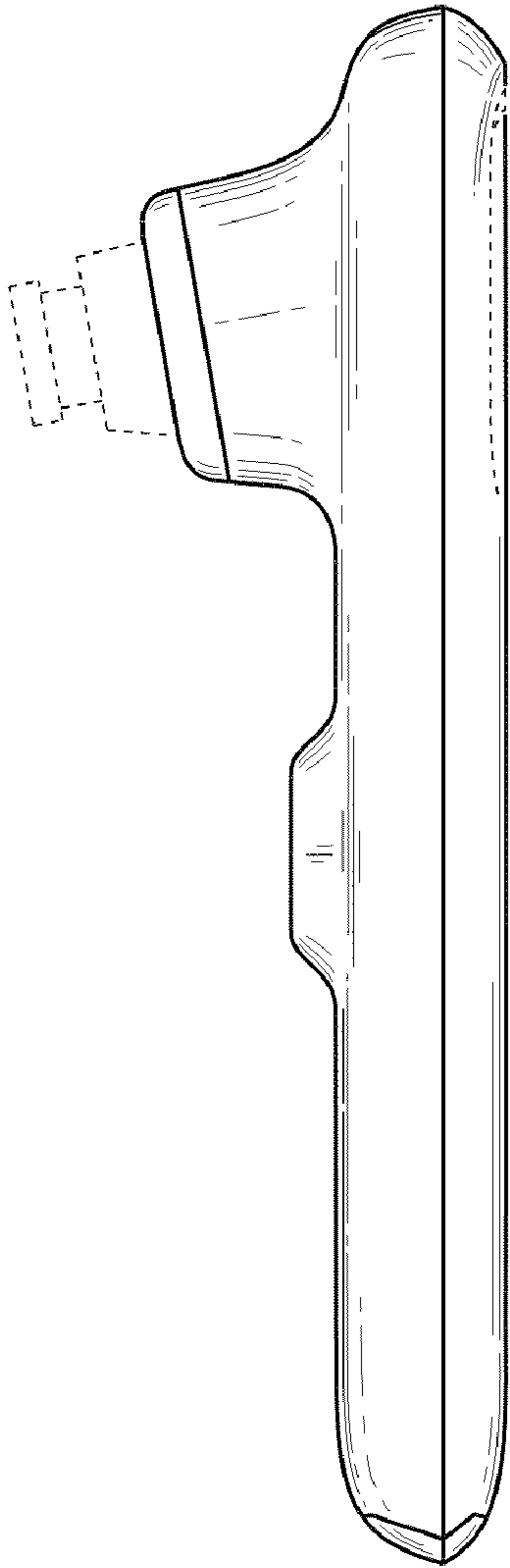


FIG. 4

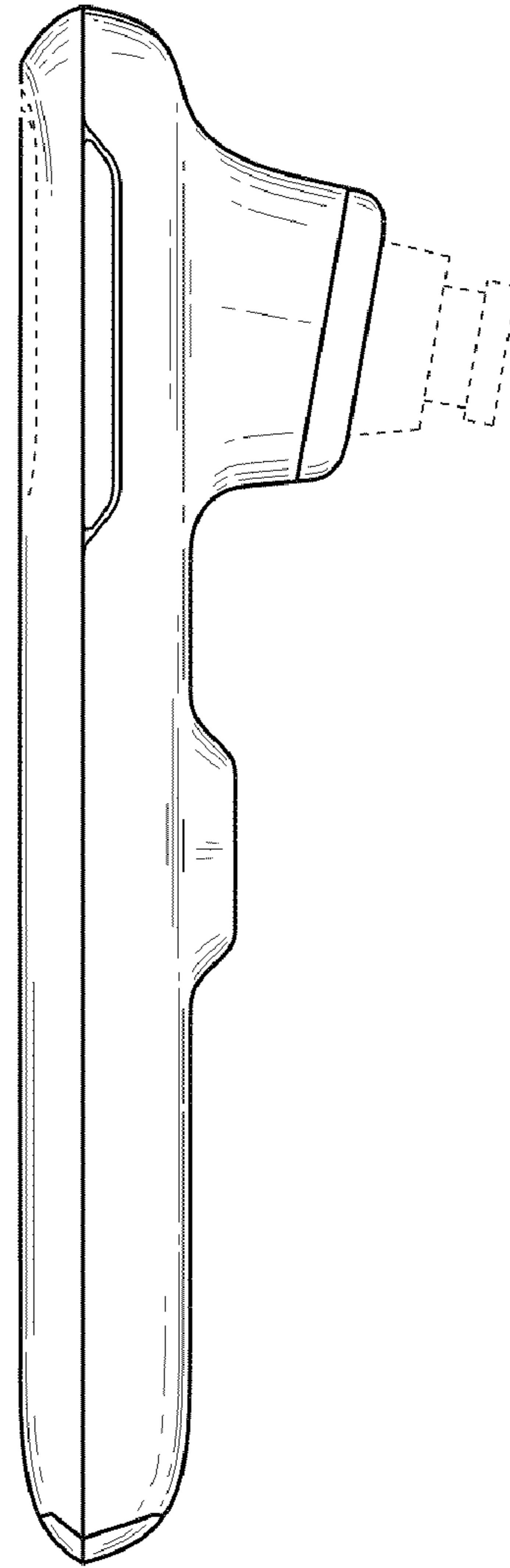


FIG. 5

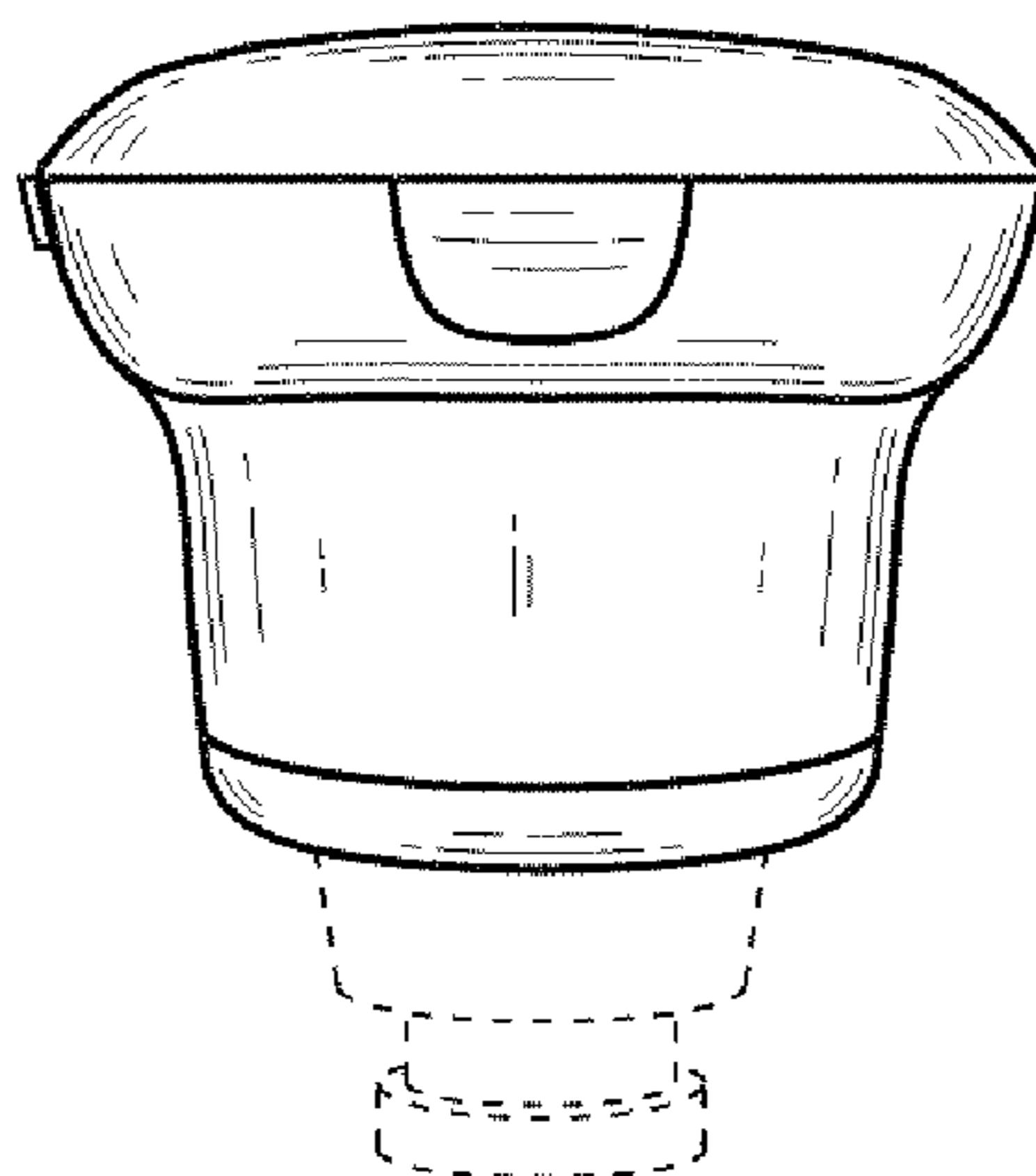


FIG. 6

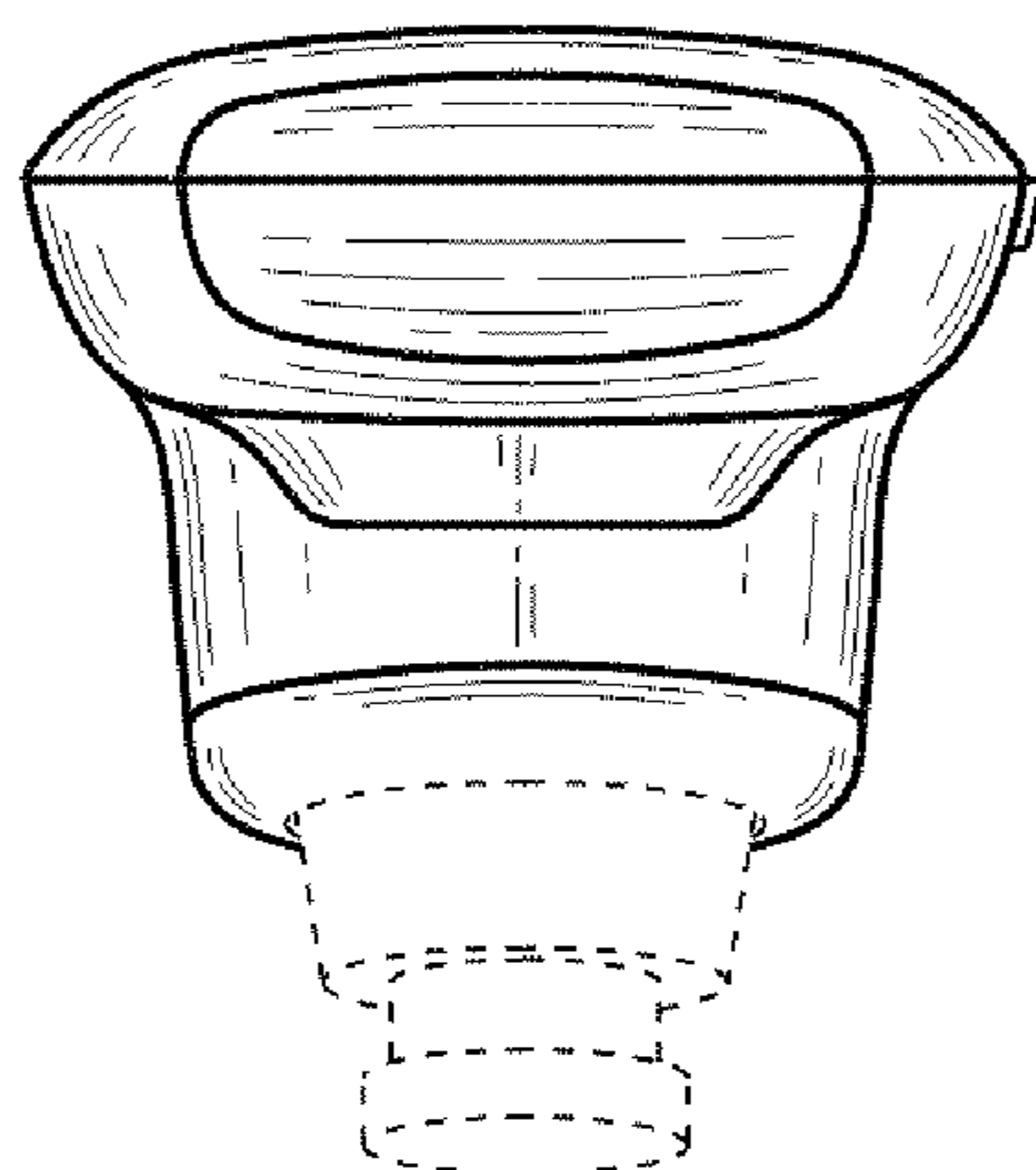


FIG. 7