



US00D643418S

(12) **United States Design Patent**  
**Lee et al.**

(10) **Patent No.:** **US D643,418 S**  
(45) **Date of Patent:** **\*\* Aug. 16, 2011**

- (54) **HEADPHONE EAR HOOK**
- (75) Inventors: **Noel Lee**, Las Vegas, NV (US); **Dan Hua**, San Jose, CA (US)
- (73) Assignee: **Monster Cable Products, Inc.**, Brisbane, CA (US)
- (\*\*) Term: **14 Years**
- (21) Appl. No.: **29/366,076**
- (22) Filed: **Jul. 19, 2010**
- (51) **LOC (9) Cl.** ..... **14-01**
- (52) **U.S. Cl.** ..... **D14/223**
- (58) **Field of Classification Search** ..... D14/205, D14/206, 223; 181/129, 130; 379/430, 431; 381/370, 380, 381, 371, 374, 376, 377, 378, 381/330; 455/90.3, 569.1, 575.2  
See application file for complete search history.

- D594,441 S 6/2009 Lee et al.
- D598,901 S 8/2009 Lee et al.
- D599,781 S 9/2009 Lee et al.
- D600,675 S 9/2009 Lee et al.
- 7,664,287 B2 \* 2/2010 Neu et al. .... 381/381
- D624,529 S \* 9/2010 Huang ..... D14/223
- D628,555 S \* 12/2010 Ponzio et al. .... D14/205
- D634,305 S \* 3/2011 Hoggarth ..... D14/223

\* cited by examiner

*Primary Examiner* — Paula Greene

(74) *Attorney, Agent, or Firm* — LaRiviere, Grubman & Payne, LLP

(57) **CLAIM**

The ornamental design for a headphone ear hook, as shown and described.

**DESCRIPTION**

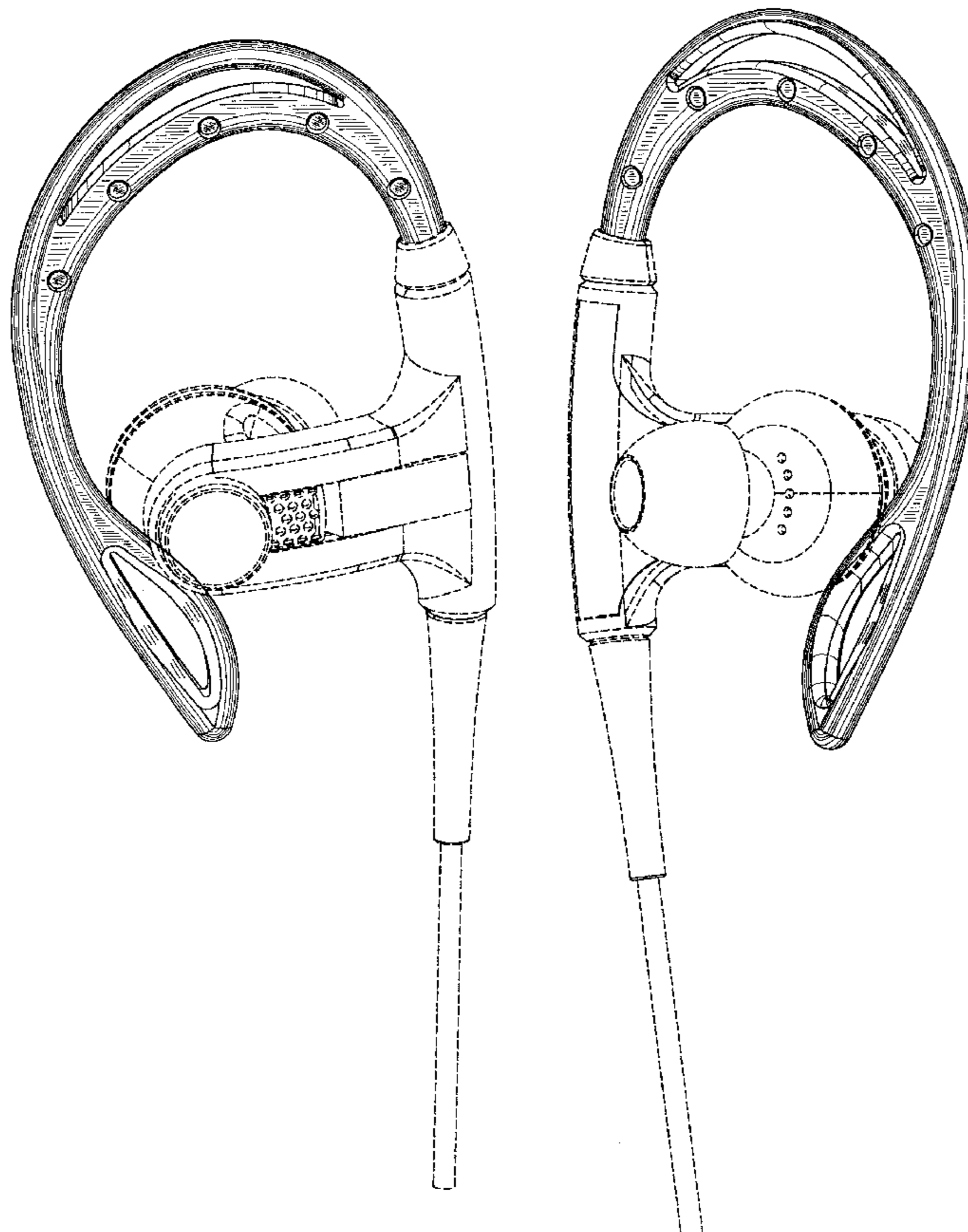
FIG. 1 is a perspective view of a headphone ear hook, in accordance with the present invention.  
 FIG. 2 is a top view thereof;  
 FIG. 3 is a bottom view thereof;  
 FIG. 4 is a front view thereof;  
 FIG. 5 is a rear view thereof;  
 FIG. 6 is a side view thereof; and,  
 FIG. 7 is an opposing side view thereof.  
 The broken lines showing the environment in the Figures are for illustrative purposes only and form no part of the claimed design.

(56) **References Cited**

U.S. PATENT DOCUMENTS

- D470,129 S \* 2/2003 Hlas et al. .... D14/223
- 6,728,388 B1 \* 4/2004 Nageno et al. .... 381/381
- D508,479 S \* 8/2005 Okada ..... D14/206
- D574,367 S \* 8/2008 Jaakkola et al. .... D14/223
- D575,772 S \* 8/2008 Schultz et al. .... D14/223
- D582,398 S \* 12/2008 Nam et al. .... D14/223
- D585,881 S \* 2/2009 Nam et al. .... D14/223

**1 Claim, 4 Drawing Sheets**



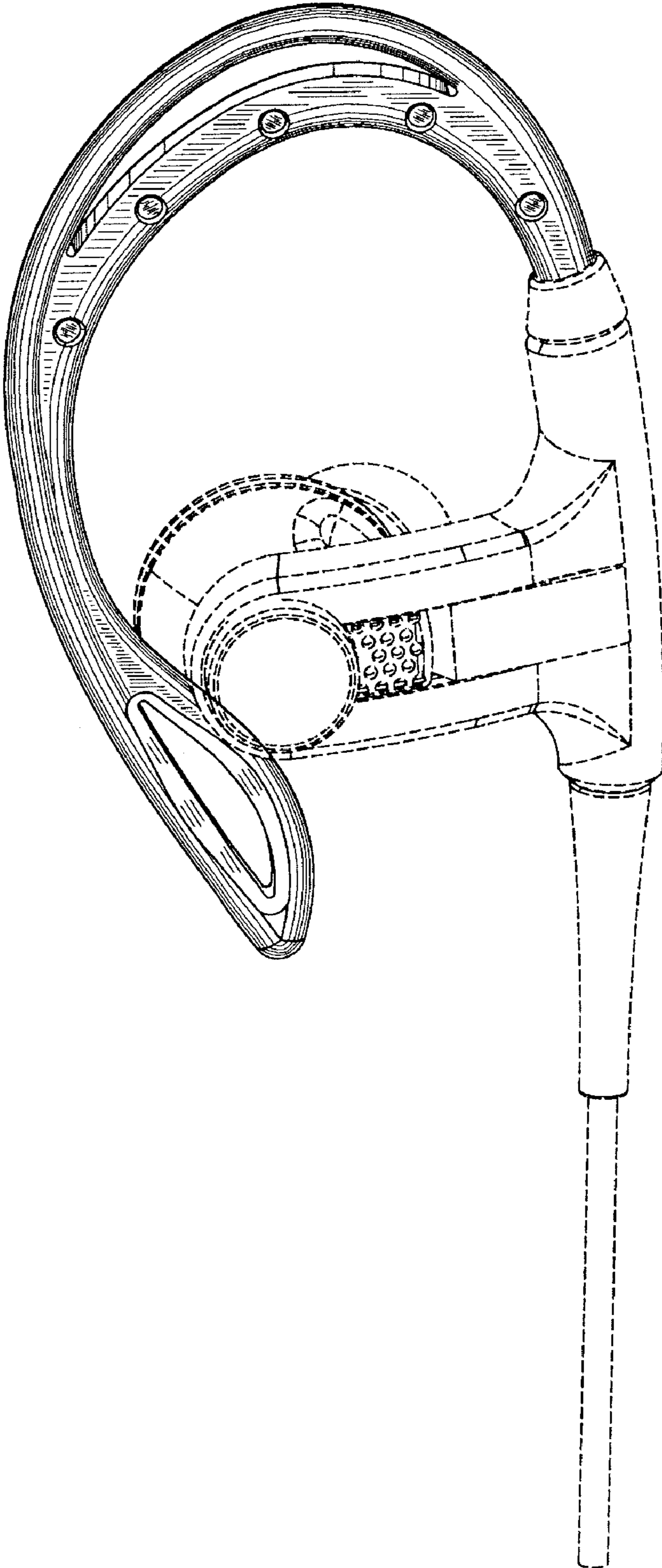


Figure 1

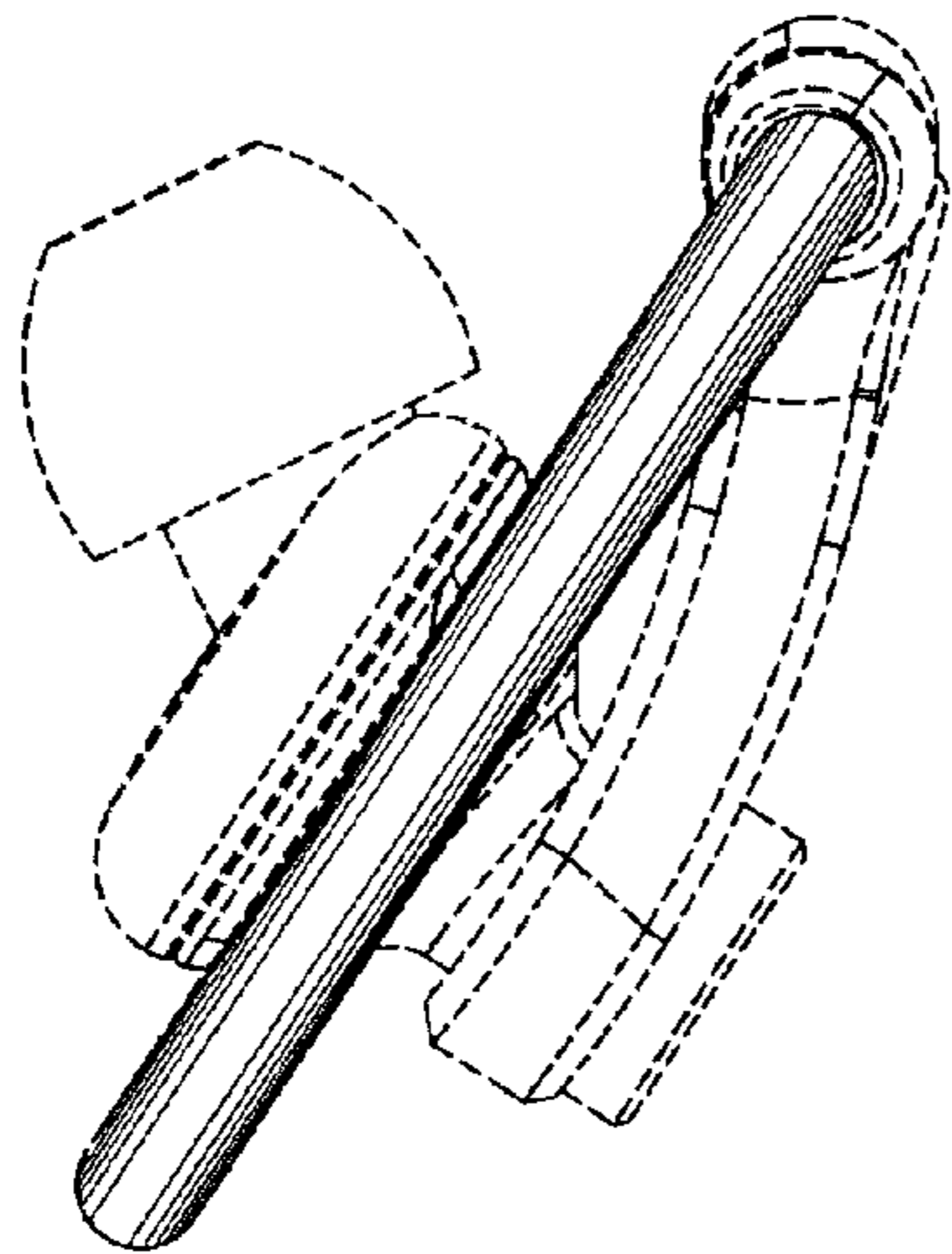


Figure 2

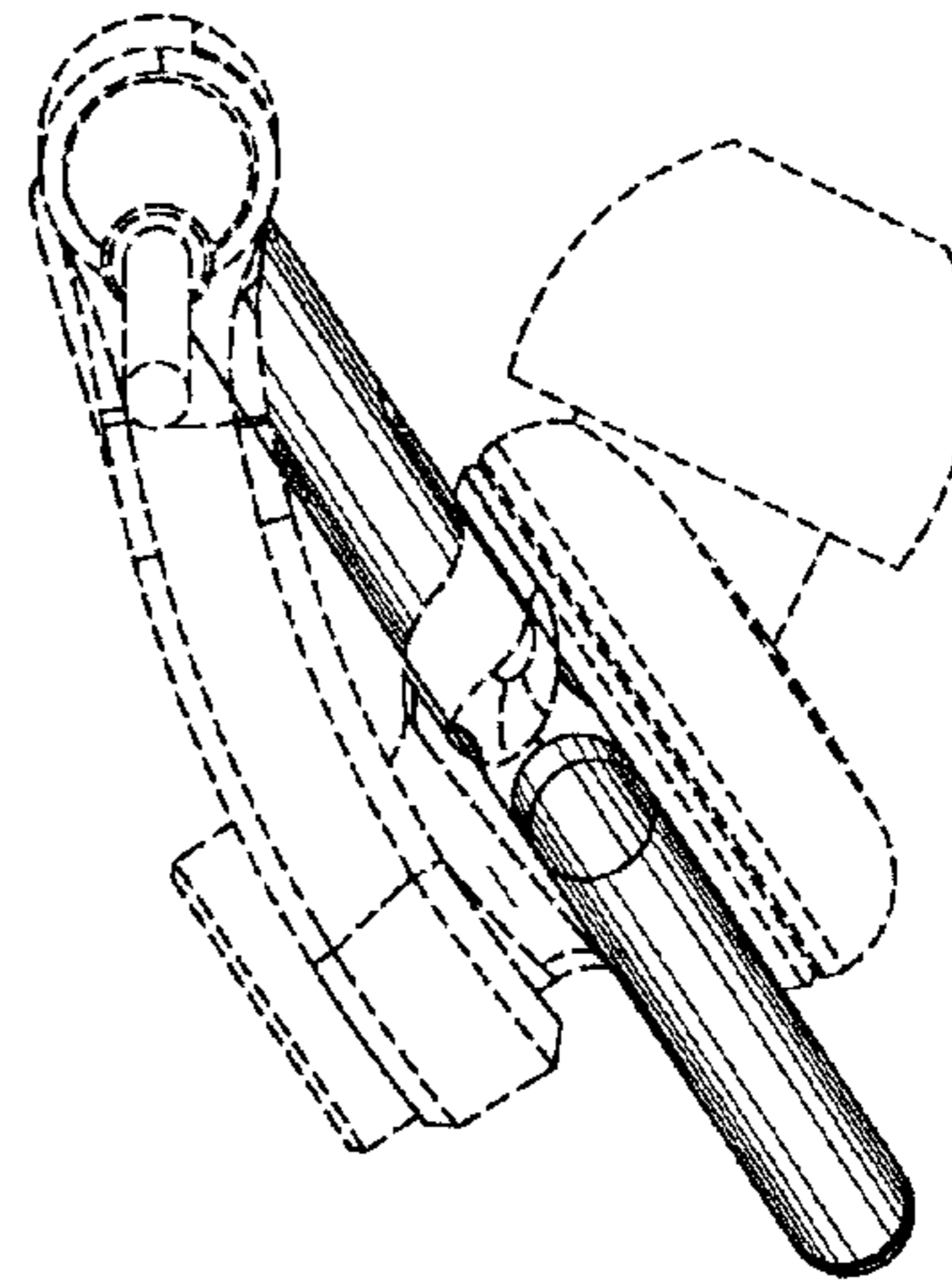


Figure 3

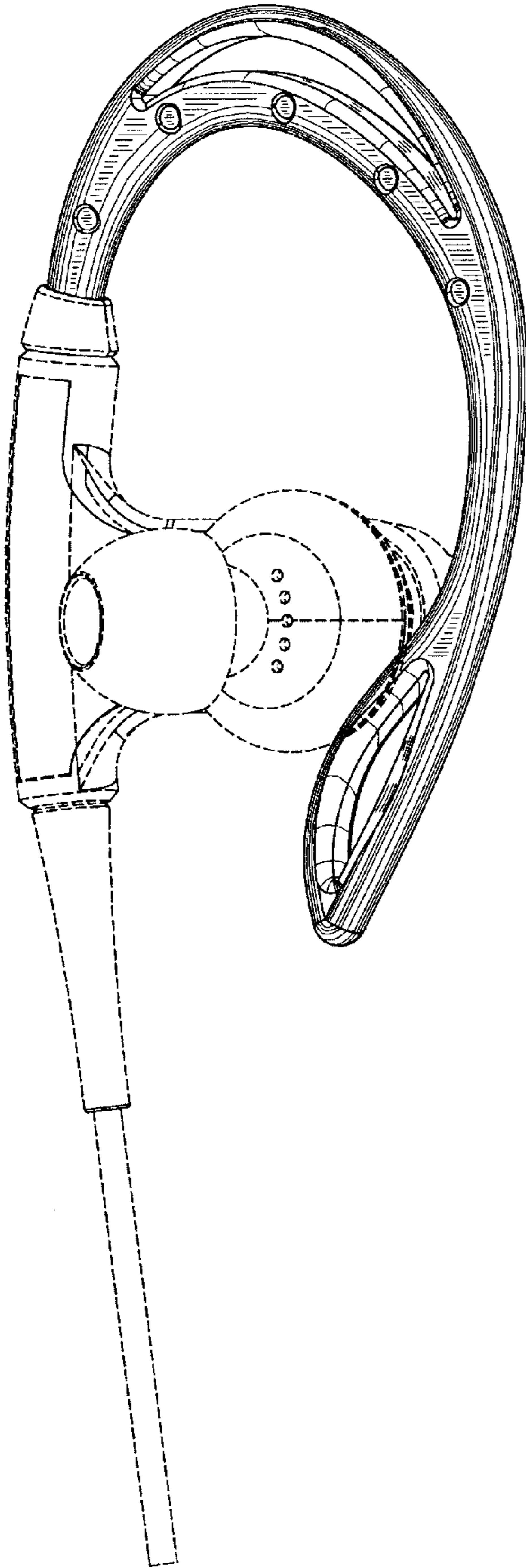


Figure 4

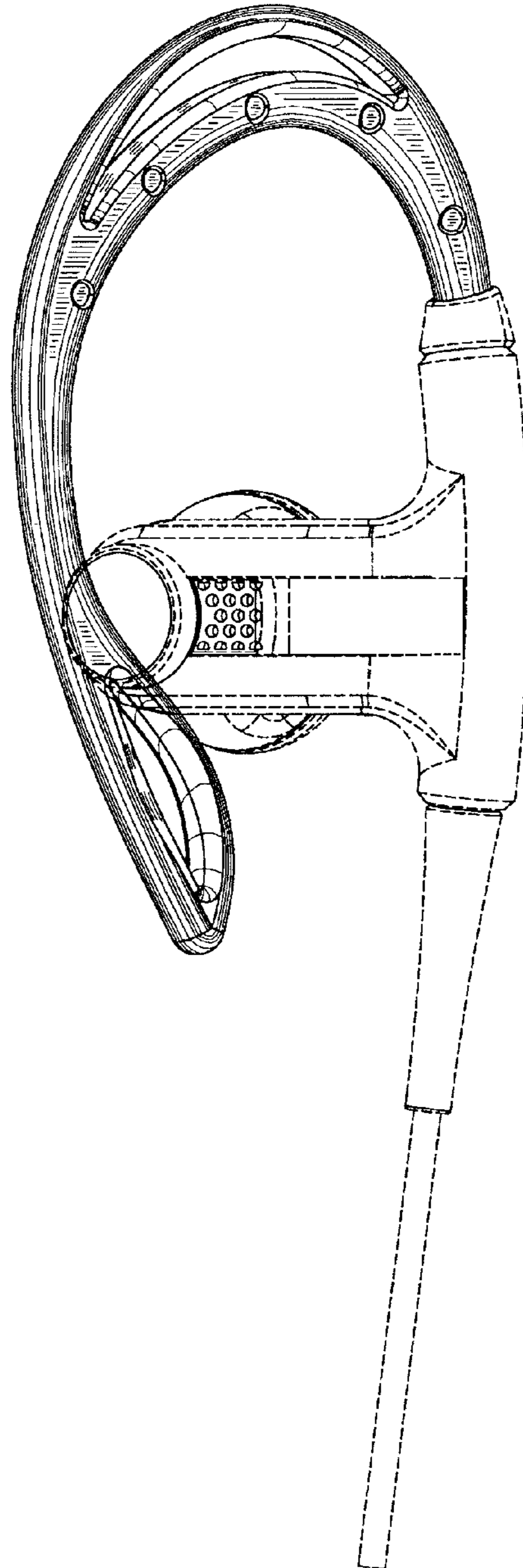


Figure 5

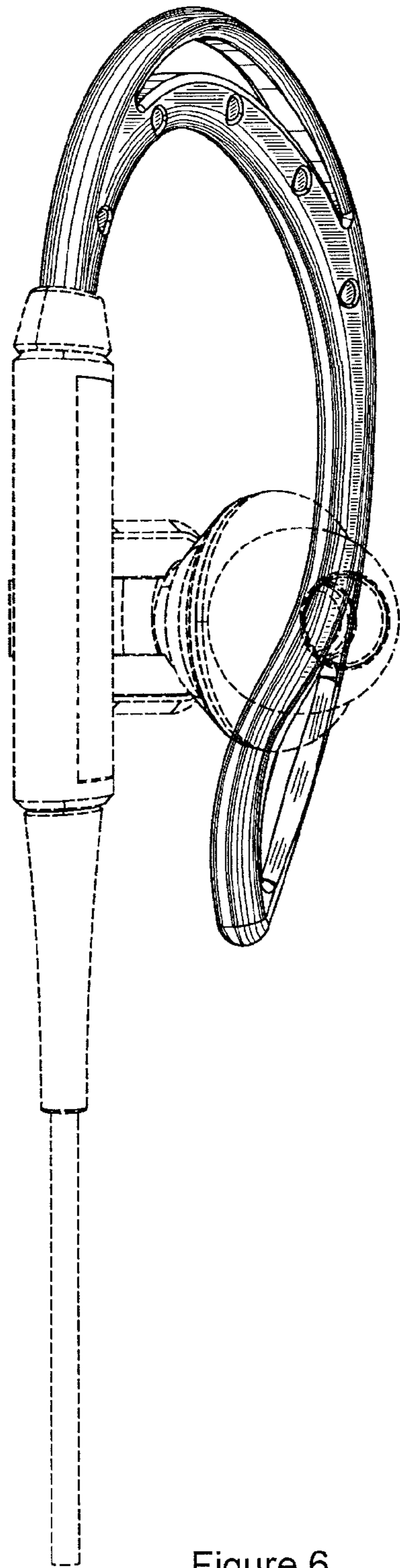


Figure 6

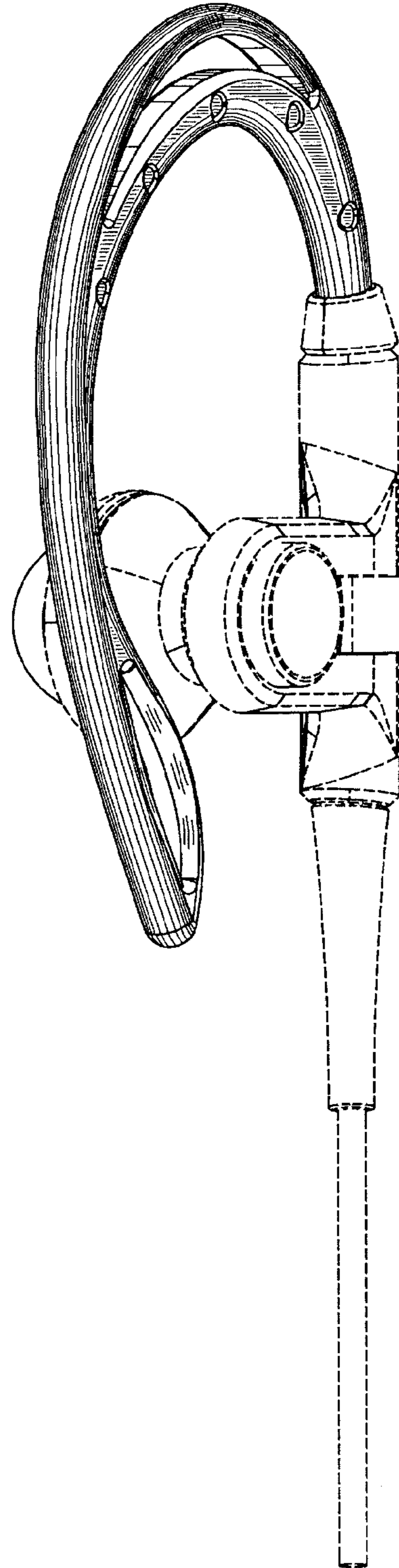


Figure 7