



US00D643417S

(12) **United States Design Patent**
Lee et al.

(10) **Patent No.:** **US D643,417 S**

(45) **Date of Patent:** **** Aug. 16, 2011**

(54) **IN-EAR HEADPHONE**

(75) Inventors: **Noel Lee**, Las Vegas, NV (US);
Kendrew Lee, Tsing Yi (HK)

(73) Assignee: **Monster Cable Products, Inc.**,
Brisbane, CA (US)

(**) Term: **14 Years**

(21) Appl. No.: **29/365,970**

(22) Filed: **Jul. 16, 2010**

(51) **LOC (9) Cl.** **14-01**

(52) **U.S. Cl.** **D14/223**

(58) **Field of Classification Search** D14/205,
D14/206, 223; 181/129, 130, 135; 379/430,
379/431, 433.01; 381/380, 381; 455/90.3,
455/569.1, 575.1

See application file for complete search history.

(56) **References Cited**

U.S. PATENT DOCUMENTS

1,406,510	A *	2/1922	Weber	381/380
4,720,857	A *	1/1988	Burris et al.	379/430
4,965,838	A *	10/1990	Kamon et al.	381/380
D357,921	S *	5/1995	Ming-Chin	D14/223
6,574,345	B1 *	6/2003	Huang	381/380
D510,337	S *	10/2005	Tages	D14/205
D554,627	S *	11/2007	Gondo	D14/223
D555,152	S *	11/2007	Wang	D14/223
D557,689	S *	12/2007	Huang	D14/223
D572,703	S *	7/2008	Ledbetter et al.	D14/205
D587,681	S *	3/2009	Yanai	D14/205
D594,441	S	6/2009	Lee et al.		

D598,901	S	8/2009	Lee et al.		
D599,781	S	9/2009	Lee et al.		
D600,675	S	9/2009	Lee et al.		
D604,272	S *	11/2009	Kitayama	D14/223
D605,182	S *	12/2009	Fagnot	D14/223
D605,636	S *	12/2009	Yang	D14/223
D606,972	S *	12/2009	Schaefer	D14/205
D627,765	S *	11/2010	Zheng	D14/223
D628,193	S *	11/2010	Zheng	D14/223
D629,395	S *	12/2010	Lee et al.	D14/223
D631,034	S *	1/2011	Yeo	D14/205
D632,677	S *	2/2011	Brown et al.	D14/223

* cited by examiner

Primary Examiner — Paula Greene

(74) *Attorney, Agent, or Firm* — LaRiviere, Grubman & Payne, LLP

(57) **CLAIM**

The ornamental design for an in-ear headphone, as shown and described.

DESCRIPTION

FIG. 1 is a perspective view of an in-ear headphone, in accordance with the present invention.

FIG. 2 is a front view thereof;

FIG. 3 is a rear view thereof;

FIG. 4 is a side view thereof;

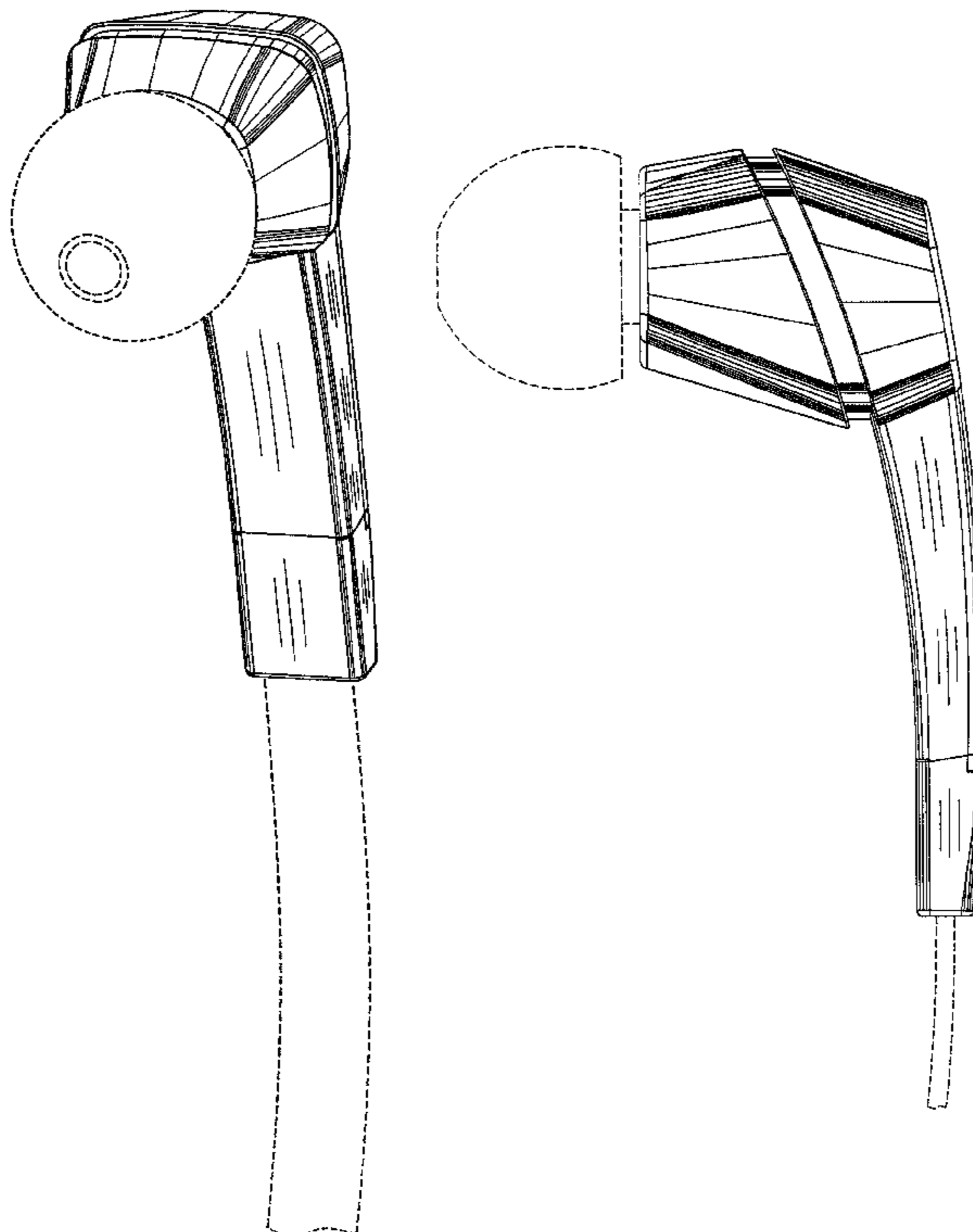
FIG. 5 is an opposing side view thereof;

FIG. 6 is a top view thereof; and,

FIG. 7 is a bottom view thereof.

The broken lines showing the environment in the Figures are for illustrative purposes only and form no part of the claimed design.

1 Claim, 4 Drawing Sheets



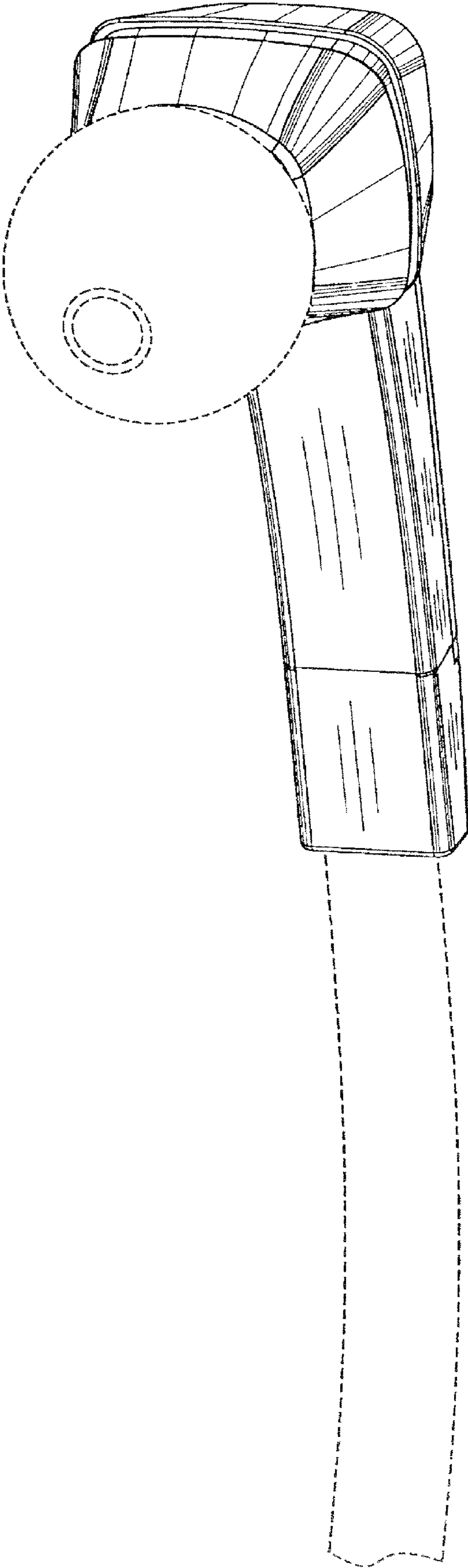


Figure 1

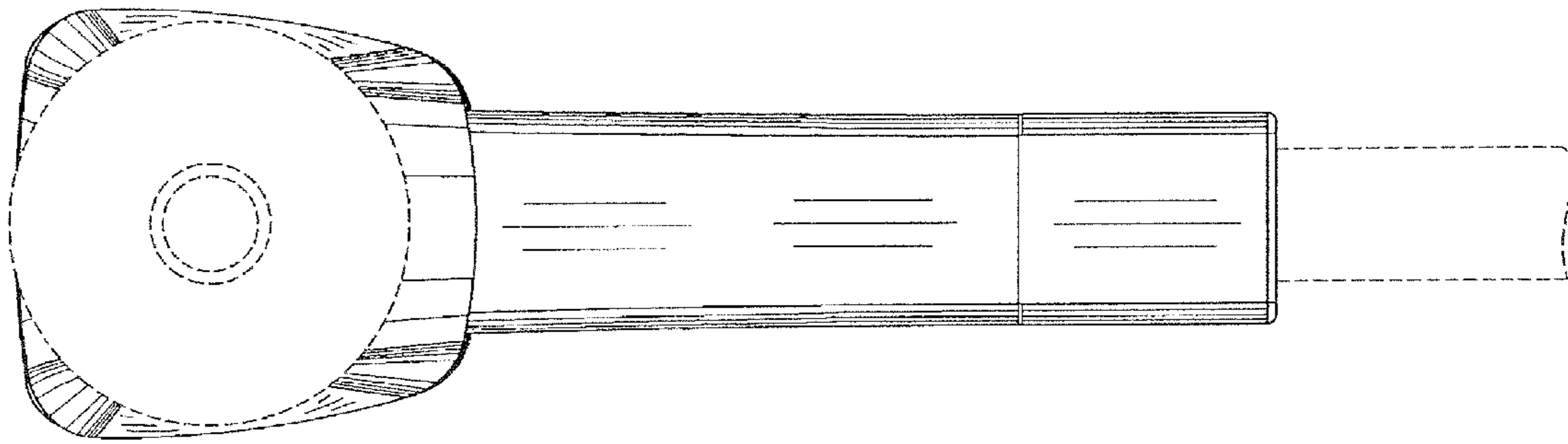


Figure 3

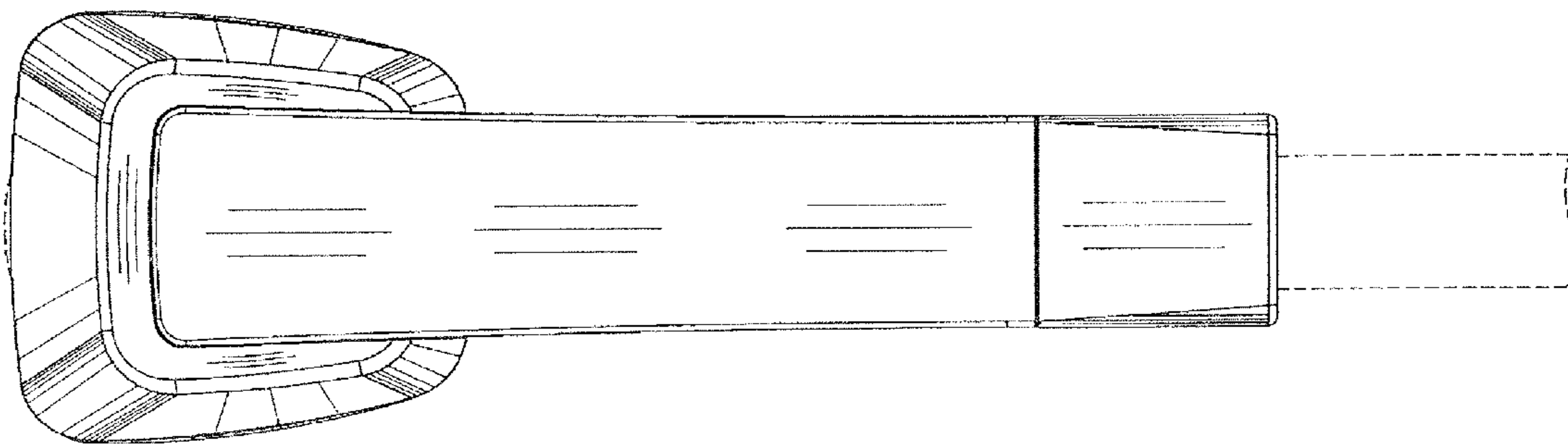


Figure 2

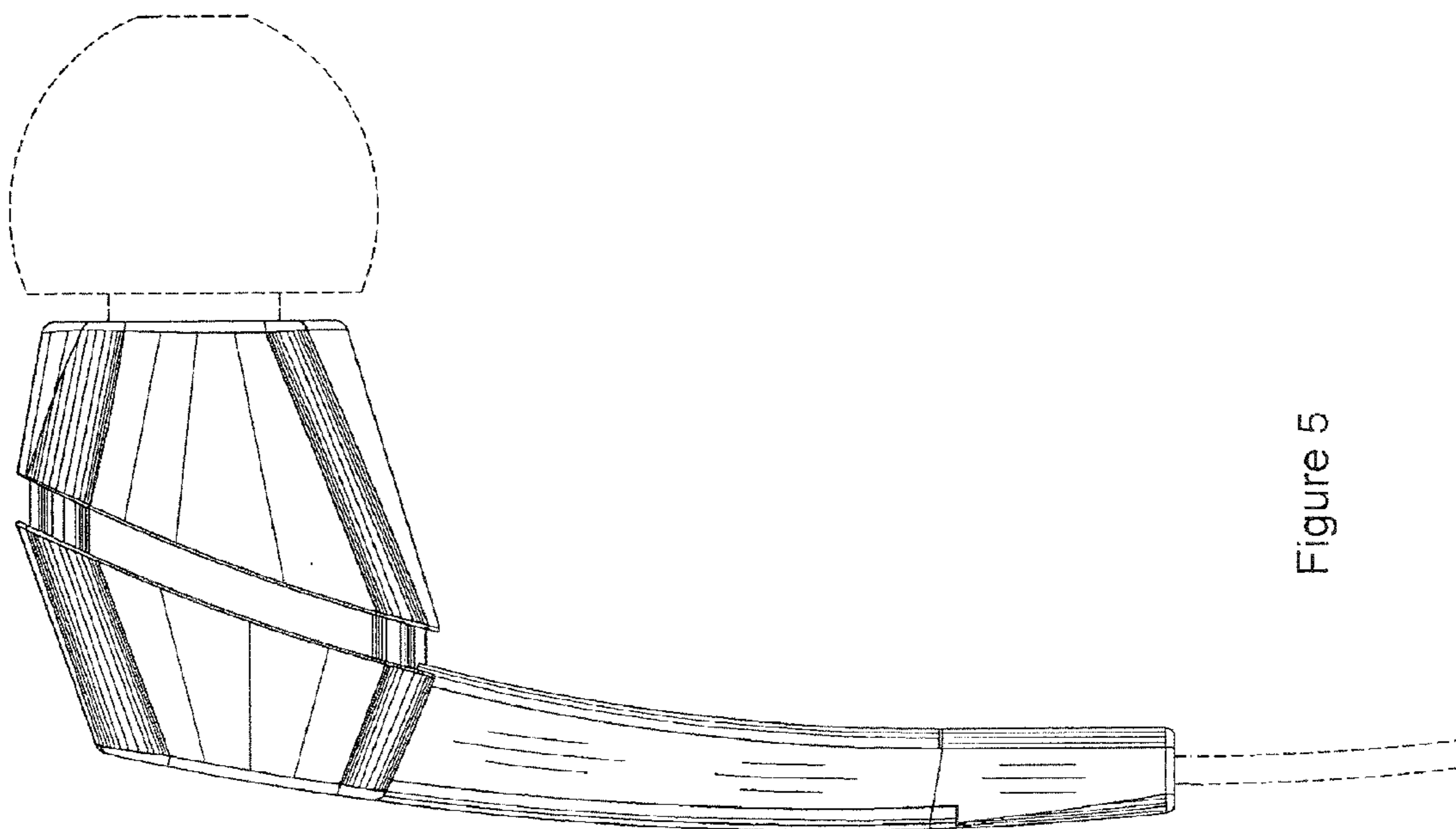


Figure 5

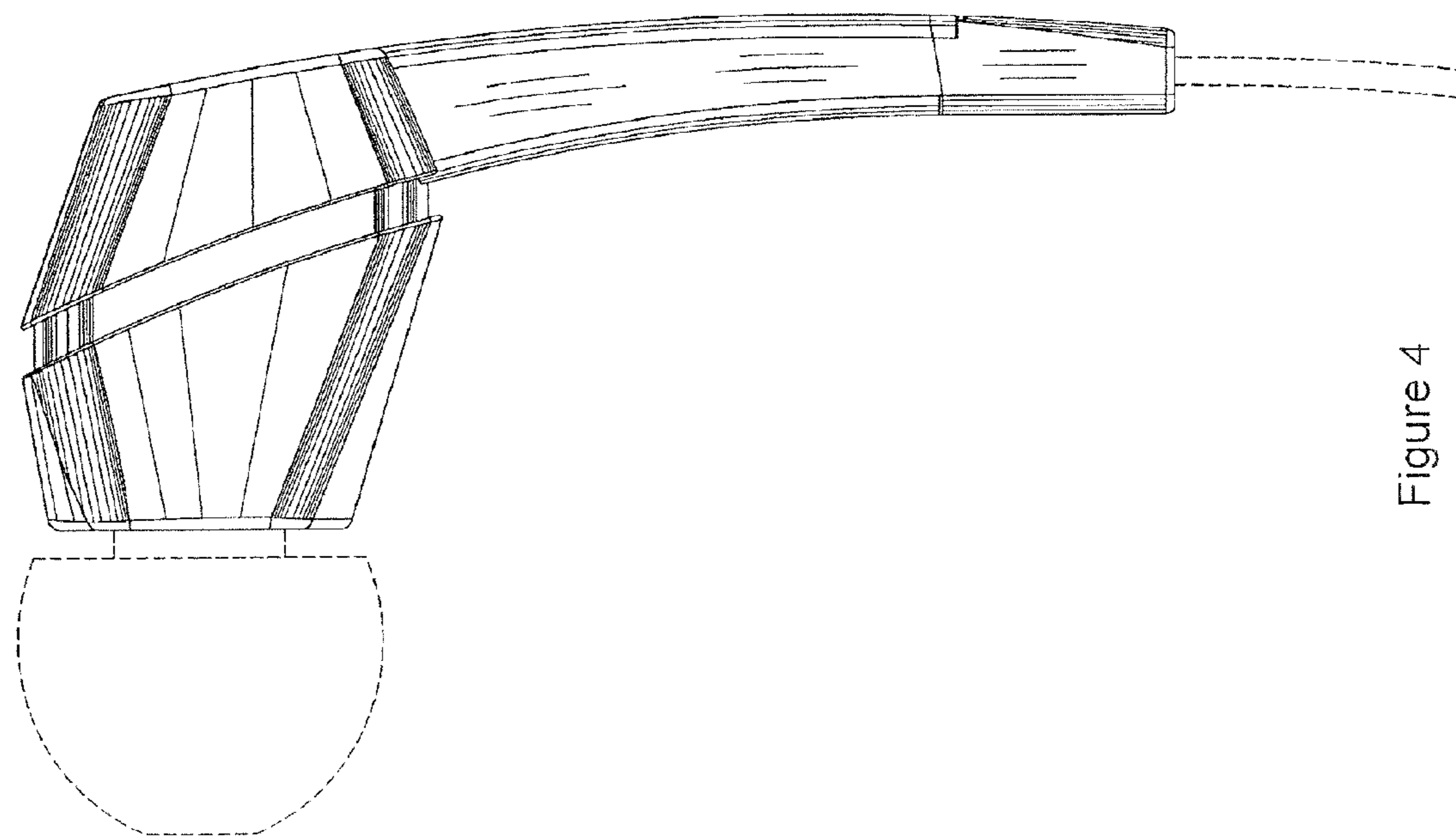


Figure 4

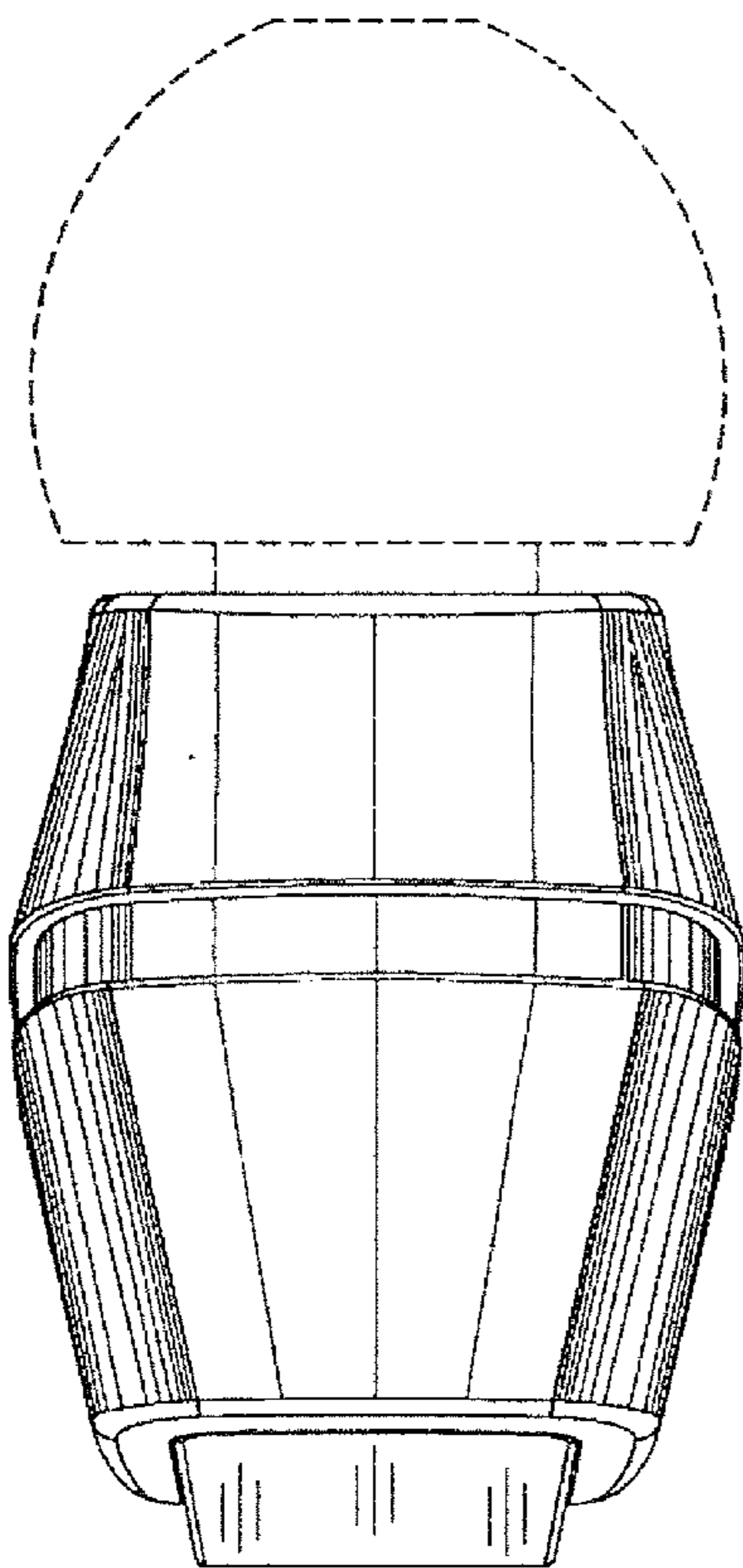


Figure 6

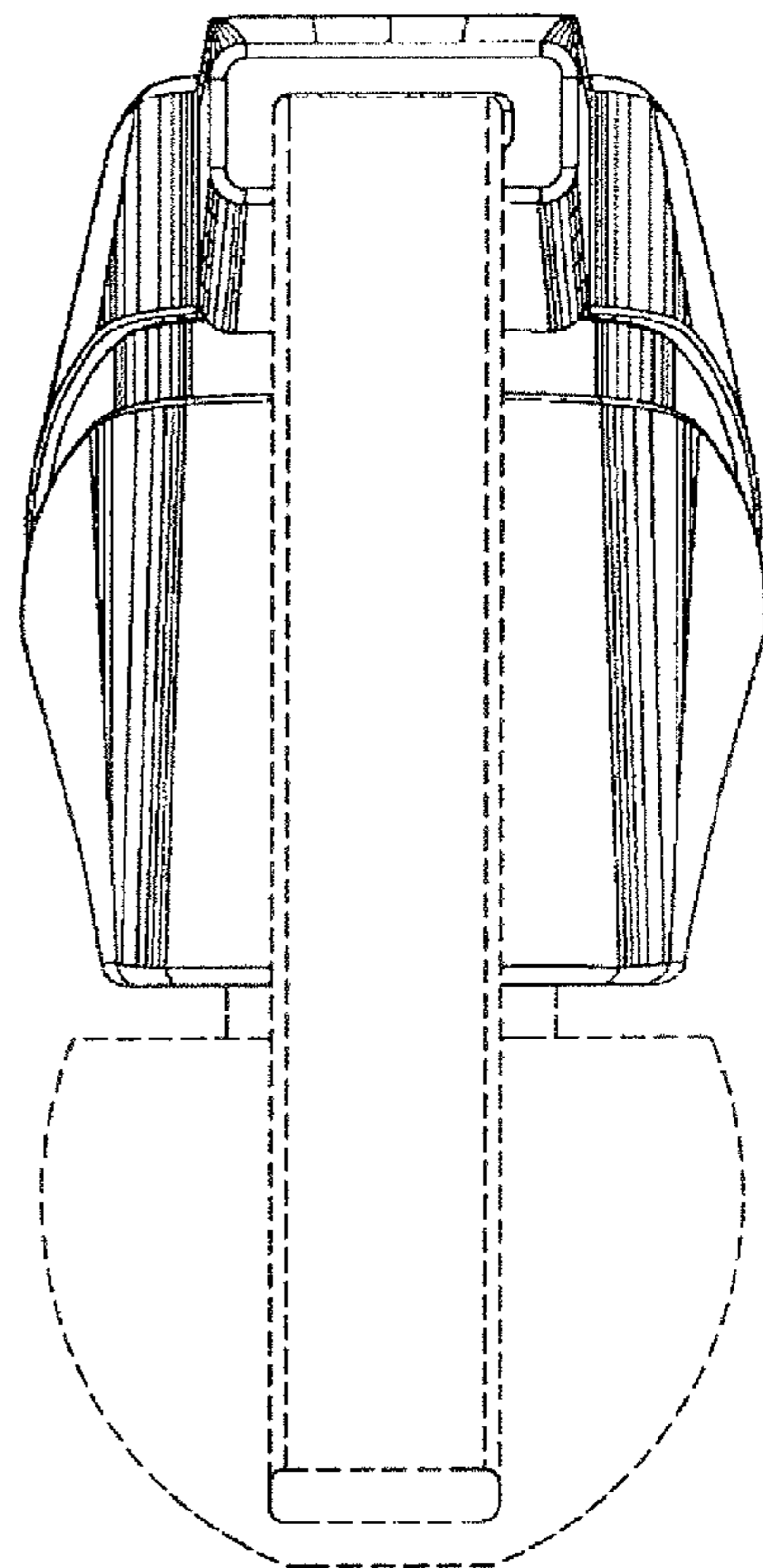


Figure 7