



US00D643414S

(12) **United States Design Patent**
Lee et al.

(10) **Patent No.:** **US D643,414 S**
(45) **Date of Patent:** **** Aug. 16, 2011**

(54) **AUDIO LISTENING SYSTEM**
(75) Inventors: **Noel Lee**, Las Vegas, NV (US); **Dan Hua**, San Jose, CA (US)
(73) Assignee: **Monster Cable Products, Inc.**, Brisbane, CA (US)
(**) Term: **14 Years**
(21) Appl. No.: **29/352,990**
(22) Filed: **Dec. 30, 2009**
(51) **LOC (9) Cl.** **14-01**
(52) **U.S. Cl.** **D14/223; D14/205**
(58) **Field of Classification Search** D14/205, D14/206, 223, 142, 192, 218; D10/104, D10/106; D13/133, 168; D2/607; 379/420.04, 379/430, 428; 381/328, 338, 380, 381; 455/90.3, 455/41.2, 575.1, 575.2, 569.1, 568; 181/129, 181/130, 135
See application file for complete search history.

D569,841 S * 5/2008 Chung et al. D14/205
D578,507 S * 10/2008 Ando D14/205
D582,389 S * 12/2008 Bose et al. D14/205
D590,371 S * 4/2009 Leinvuo D14/205
D591,264 S * 4/2009 Hong et al. D14/205
D594,441 S 6/2009 Lee et al.
D595,690 S * 7/2009 Fullerton D14/205
D598,010 S * 8/2009 Matsuda et al. D14/223
D598,901 S 8/2009 Lee et al.
D599,781 S 9/2009 Lee et al.
D600,675 S 9/2009 Lee et al.
D603,837 S * 11/2009 Martin D14/206
D605,628 S * 12/2009 Ando D14/205
D607,875 S * 1/2010 Pedersen, II D14/206
D614,168 S * 4/2010 Rogers et al. D14/206
D629,395 S * 12/2010 Lee et al. D14/223

* cited by examiner

Primary Examiner — Paula Greene

(74) *Attorney, Agent, or Firm* — LaRiviere, Grubman & Payne, LLP

(57) **CLAIM**

The ornamental design for an audio listening system, as shown and described.

(56) **References Cited**

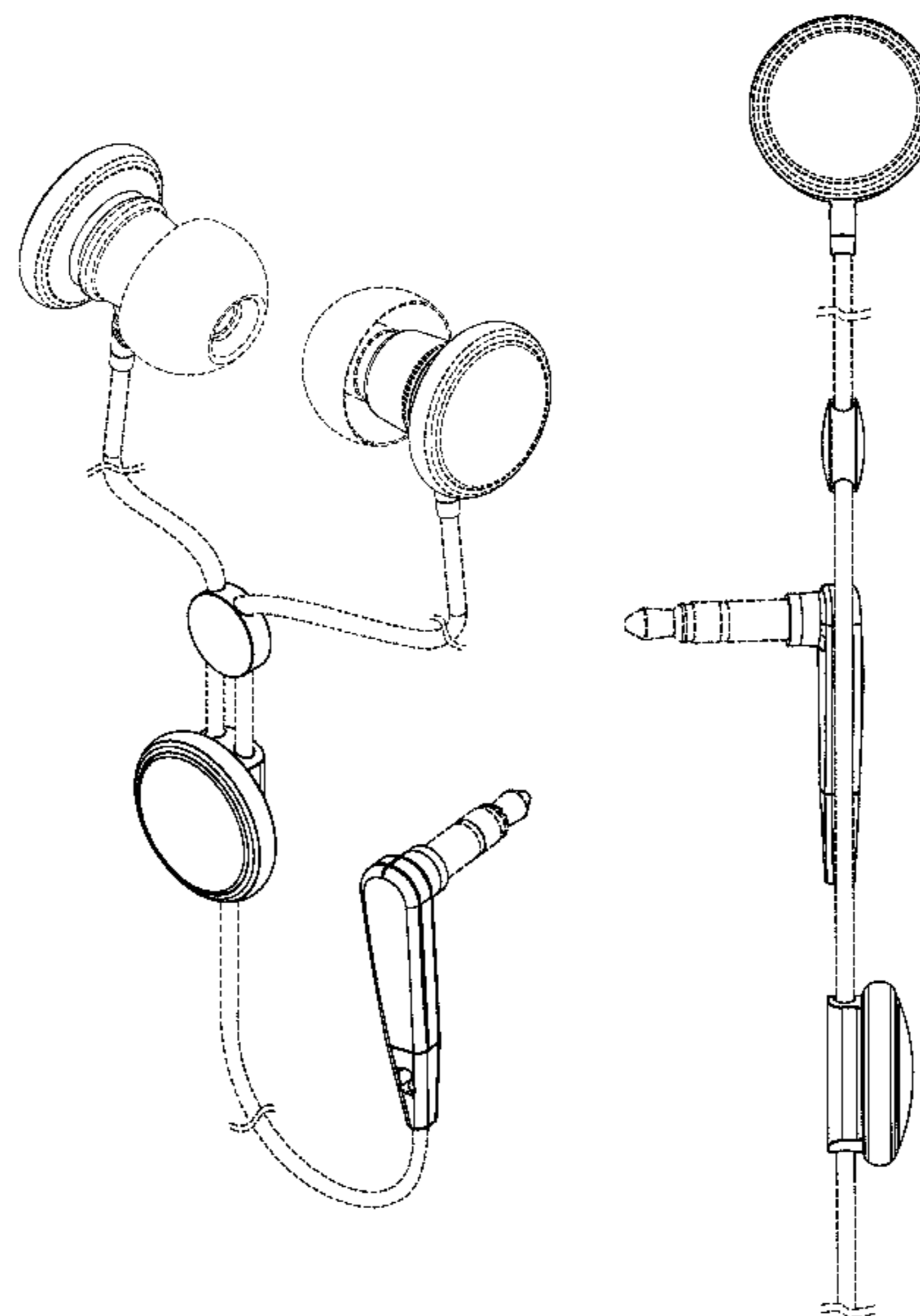
U.S. PATENT DOCUMENTS

2,572,889 A * 10/1951 Strykower 224/258
3,457,375 A * 7/1969 Haggerty 381/322
3,965,544 A * 6/1976 Boden 24/136 R
4,646,872 A * 3/1987 Kamon et al. 181/129
5,459,903 A * 10/1995 Treacy 24/3.13
D408,821 S * 4/1999 Takahashi D14/218
D430,547 S * 9/2000 Yoon D14/142
D430,860 S * 9/2000 Yoon D14/142
D431,030 S * 9/2000 Yoon D14/142
D465,476 S * 11/2002 Golding et al. D14/238.1
6,493,453 B1 * 12/2002 Glendon 381/322
D480,050 S * 9/2003 Darrow et al. D13/133
D511,157 S * 11/2005 Johnson D14/223
D512,417 S * 12/2005 Hirakawa et al. D14/223
D524,295 S * 7/2006 Jacobson et al. D14/218
D542,280 S * 5/2007 Taylor D14/218

DESCRIPTION

FIG. 1 is a perspective view of an audio listening system, showing our design;
FIG. 2 is a front view thereof, shown separately for purposes of illustration;
FIG. 3 is a rear view thereof, shown separately for purposes of illustration;
FIG. 4 is a side view thereof;
FIG. 5 is an opposing side view thereof;
FIG. 6 is a top view thereof; and,
FIG. 7 is a bottom view thereof.
The broken lines showing the environment are for illustrative purposes only and form no part of the claimed design.

1 Claim, 5 Drawing Sheets



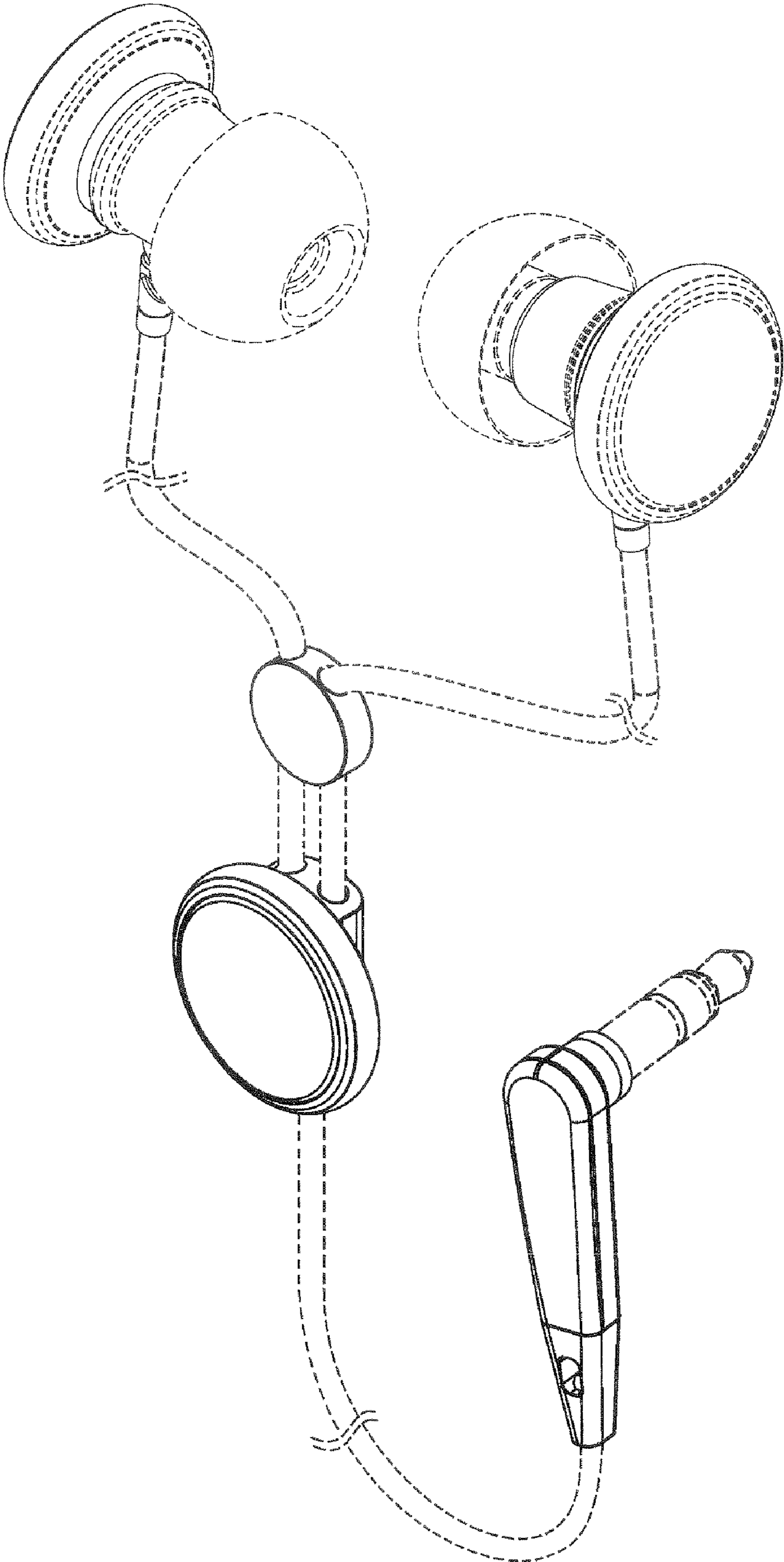


Figure 1

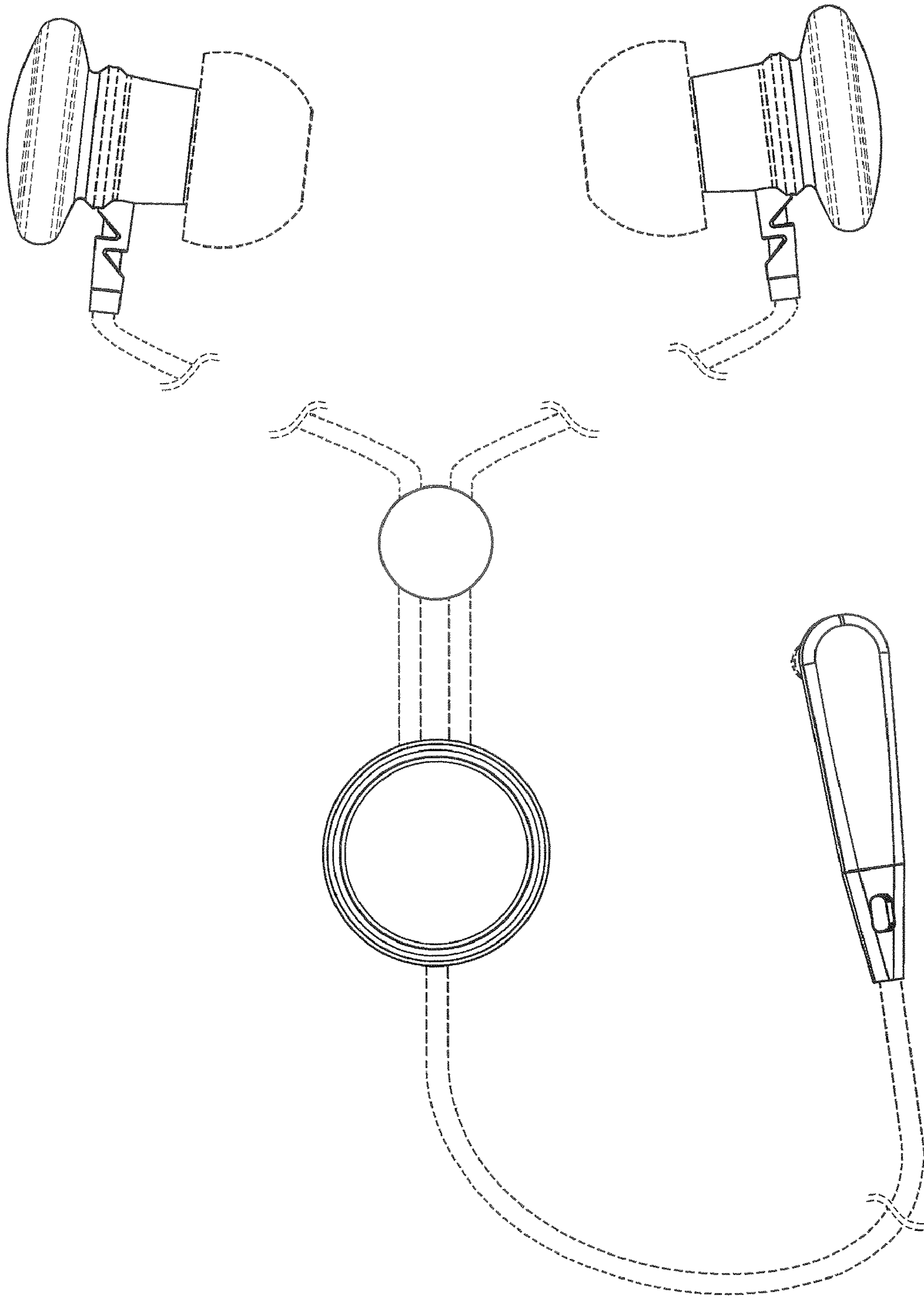


Figure 2

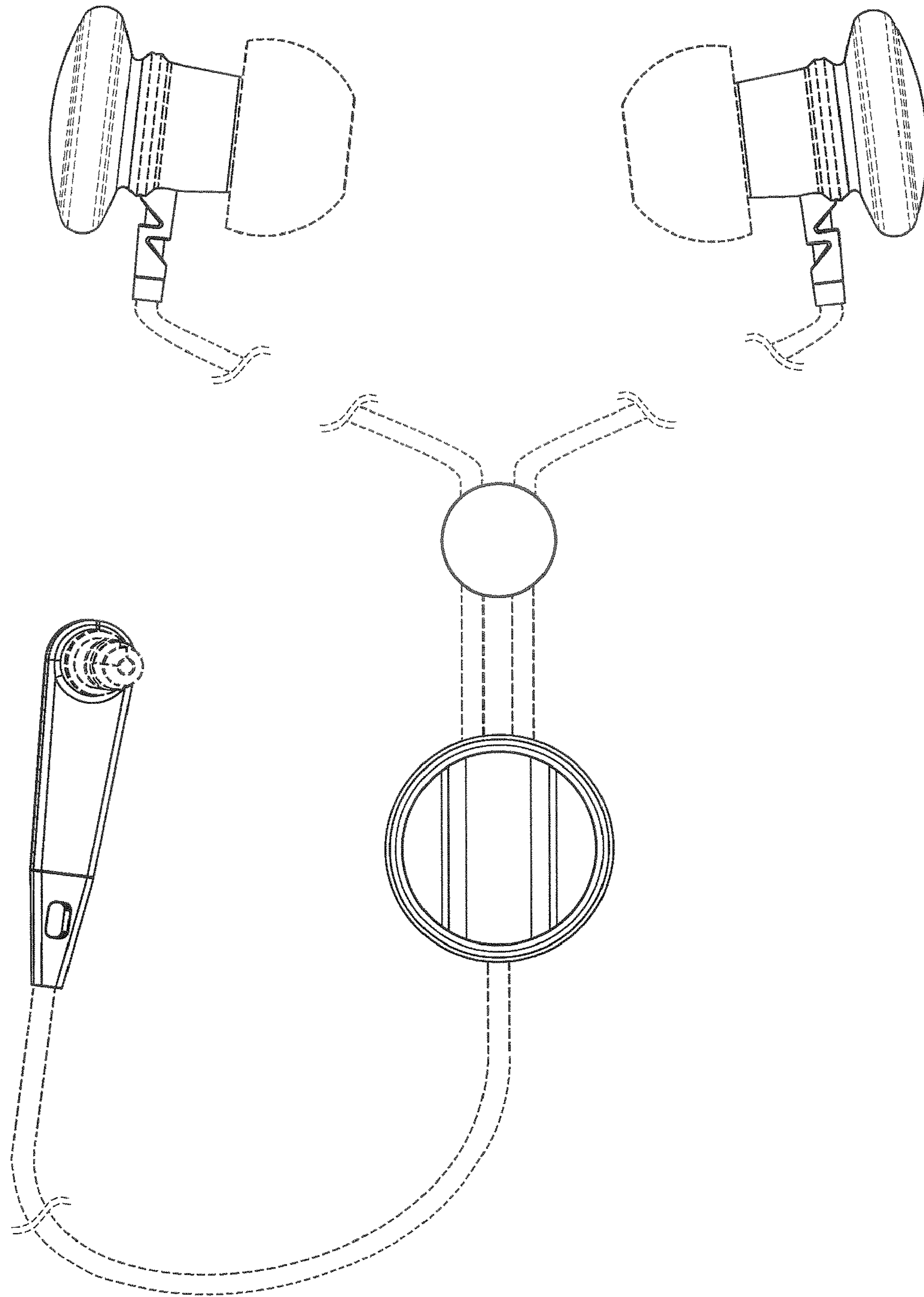


Figure 3

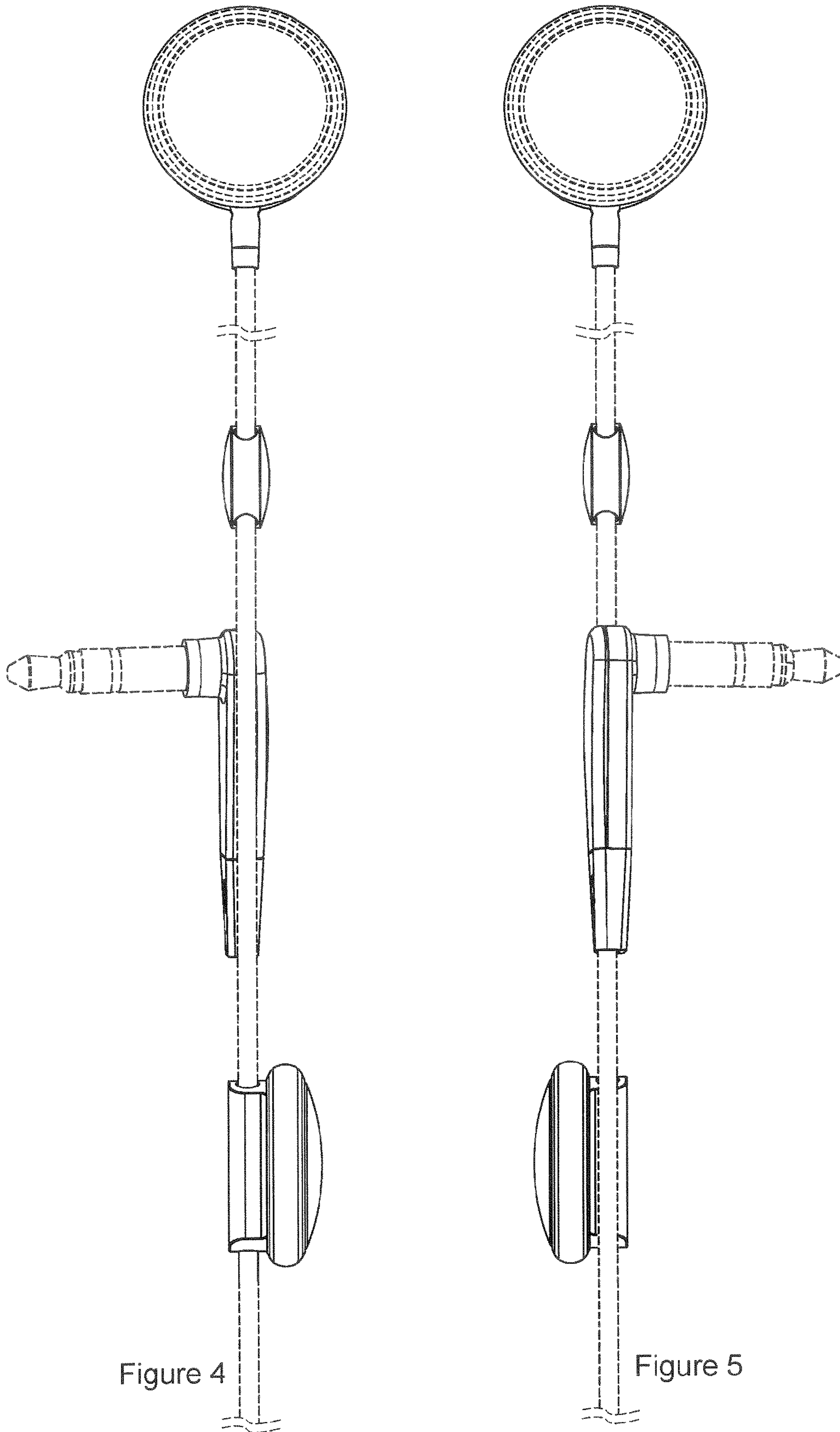


Figure 4

Figure 5

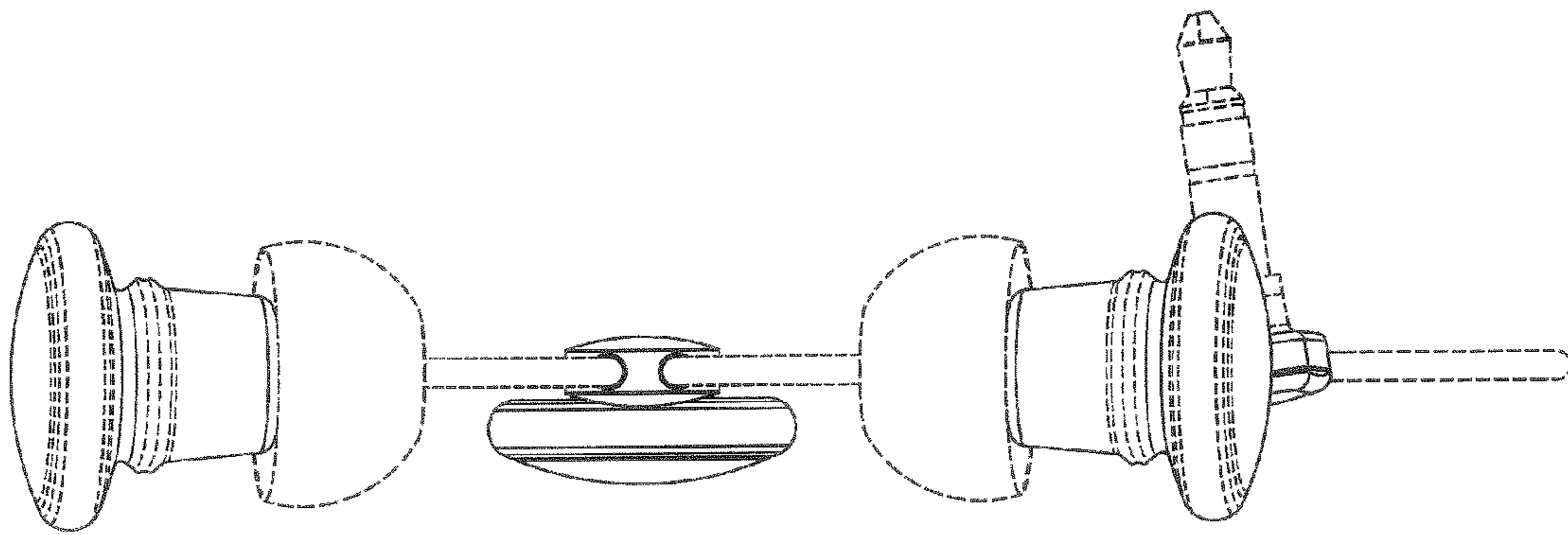


Figure 6

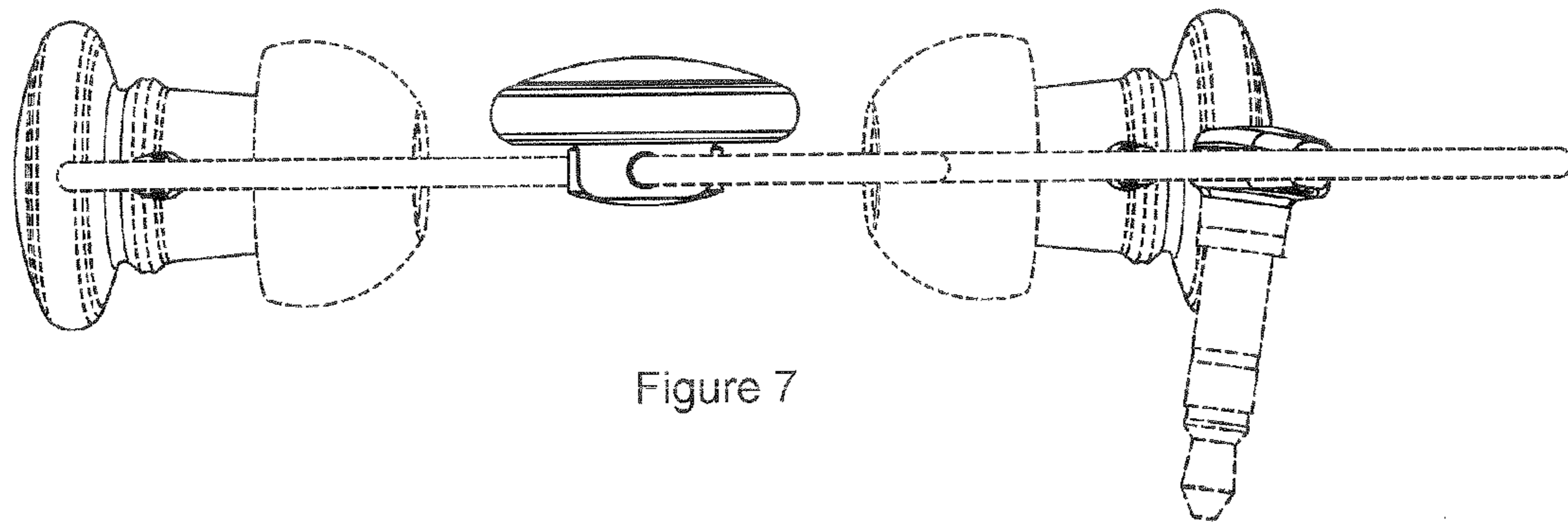


Figure 7