



US00D643406S

(12) **United States Design Patent**
Morimoto et al.

(10) **Patent No.:** **US D643,406 S**

(45) **Date of Patent:** **** *Aug. 16, 2011**

(54) **SPEAKER**

(75) Inventors: **Yoshinobu Morimoto**, Shizuoka-ken (JP); **Koichi Nakao**, Shizuoka-ken (JP)

(73) Assignee: **International Business Machines Corporation**, Armonk, NY (US)

(**) Term: **14 Years**

(21) Appl. No.: **29/354,944**

(22) Filed: **Jan. 29, 2010**

(30) **Foreign Application Priority Data**

Aug. 28, 2009 (JP) 2009-019745

(51) **LOC (9) Cl.** **14-01**

(52) **U.S. Cl.** **D14/214**

(58) **Field of Classification Search** D14/496,
D14/498-511, 167-168, 188, 197-198, 209.1,
D14/210-217; 360/99.02, 99.07; 369/75.11,
369/75.21, 77.11, 77.21; 720/601, 612, 619,
720/649, 655; 455/344, 347-351; 181/143-145,
181/147-148, 150, 151, 153, 198-199;
381/300-302, 306, 333, 345, 361-364, 386-388,
381/332, 336

See application file for complete search history.

(56) **References Cited**

U.S. PATENT DOCUMENTS

D294,080 S	2/1988	Golia et al.	
D381,857 S	8/1997	Swaim	
D398,807 S	9/1998	Fjelde	
D437,684 S	2/2001	Streich et al.	
D446,650 S	3/2001	Chen	
D505,549 S	5/2005	Hosking	
D507,877 S	8/2005	Lin	
D538,266 S *	3/2007	Yoon et al. D14/214
D565,549 S	4/2008	Sawhney et al.	

(Continued)

FOREIGN PATENT DOCUMENTS

KR 30 0396427 10/2005

OTHER PUBLICATIONS

US Design Patent Application entitled "Speaker", U.S. Appl. No. 29/354,943, filed Jan. 29, 2010 by inventors Y. Morimoto and K. Nakao.

(Continued)

Primary Examiner — Nanda Bondade

(74) *Attorney, Agent, or Firm* — David W. Victor; Konrad Raynes & Victor LLP

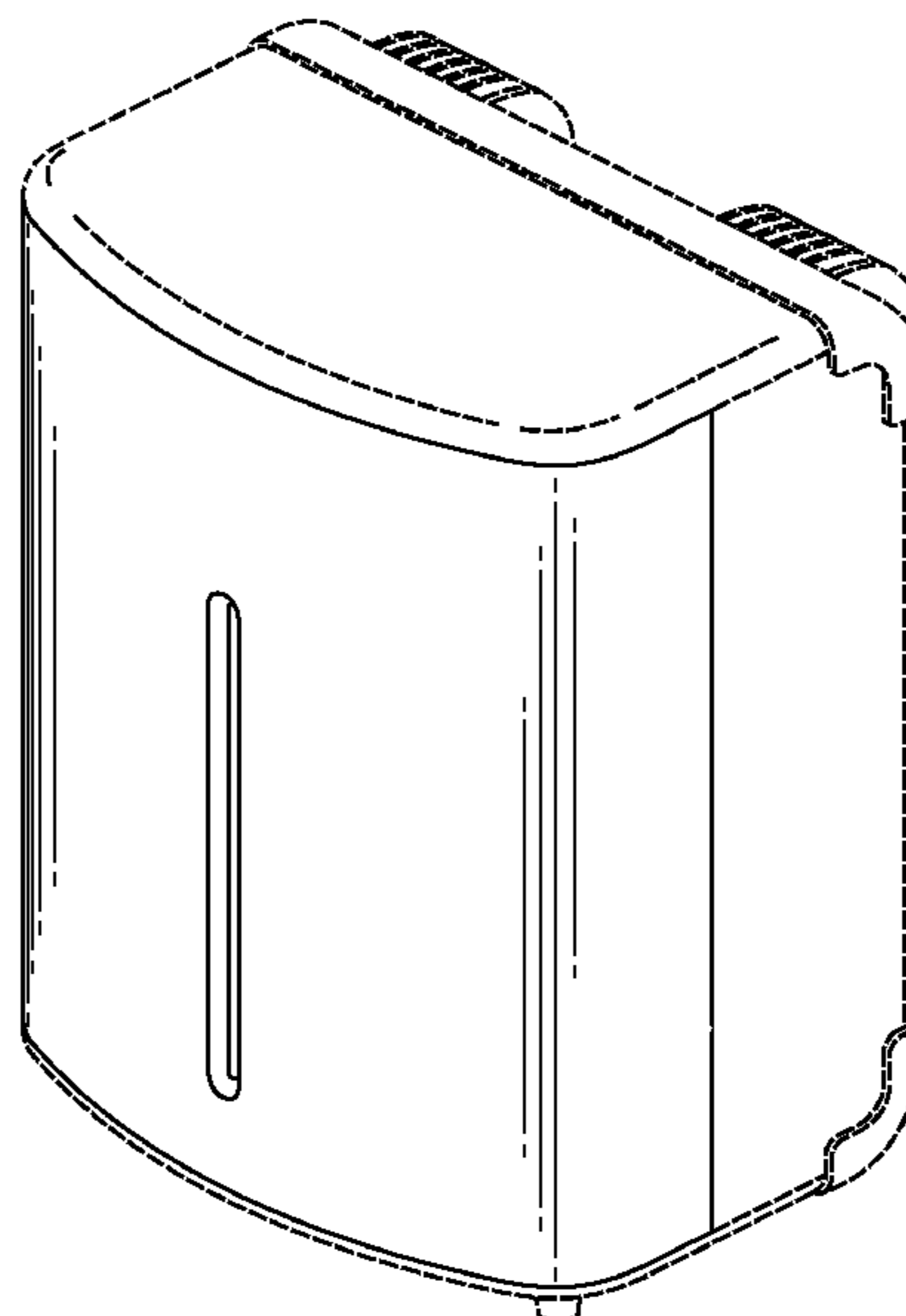
(57) **CLAIM**

We claim the ornamental design for a speaker, as shown and described.

DESCRIPTION

FIG. 1 is a front perspective view of a speaker.
FIG. 2 is a front view of a speaker.
FIG. 3 is a rear view of a speaker.
FIG. 4 is a top view of a speaker.
FIG. 5 is a bottom view of a speaker.
FIG. 6 is a left side view of a speaker.
FIG. 7 is a right side view of a speaker; and,
FIG. 8 cross sectional view taken along the lines 8—8 on FIG. 2 which omits a portion of the internal structure of a speaker. The ornamental design which is claimed is shown in solid lines in the drawings. The broken lines in the drawings are for illustrative purposes only and form no part of the claimed design. FIG. 8 provides an A—A cross-sectional taken along a line A—A shown in the front view of FIG. 2, and illustrates a state of the internal structure with a portion thereof being omitted. The A—A line shown in the front view of FIG. 2 does not constitute the design.

1 Claim, 6 Drawing Sheets



US D643,406 S

Page 2

U.S. PATENT DOCUMENTS

D568,293 S * 5/2008 Sawhney et al. D14/214
D568,294 S * 5/2008 Sawhney et al. D14/214
D571,356 S * 6/2008 Smith D14/214

OTHER PUBLICATIONS

JP Office Action dated Dec. 1, 2009 for JP Application No. 2009-019745 filed Aug. 28, 2009.

Partial translation of JP Office Action dated Dec. 1, 2009 for JP Application No. 2009-019745 filed Aug. 28, 2009.

Reference cited in JP Office Action, JP Application No. 2009-019745, dated Dec. 1, 2009, listed as "Reference 1: Multi Media Accessories—HD 11010191, Oct. 6, 1999".

Notice of Allowance dated Feb. 8, 2011 for U.S. Appl. No. 29/354,943, filed Jan. 29, 2010, entitled "Speaker".

* cited by examiner

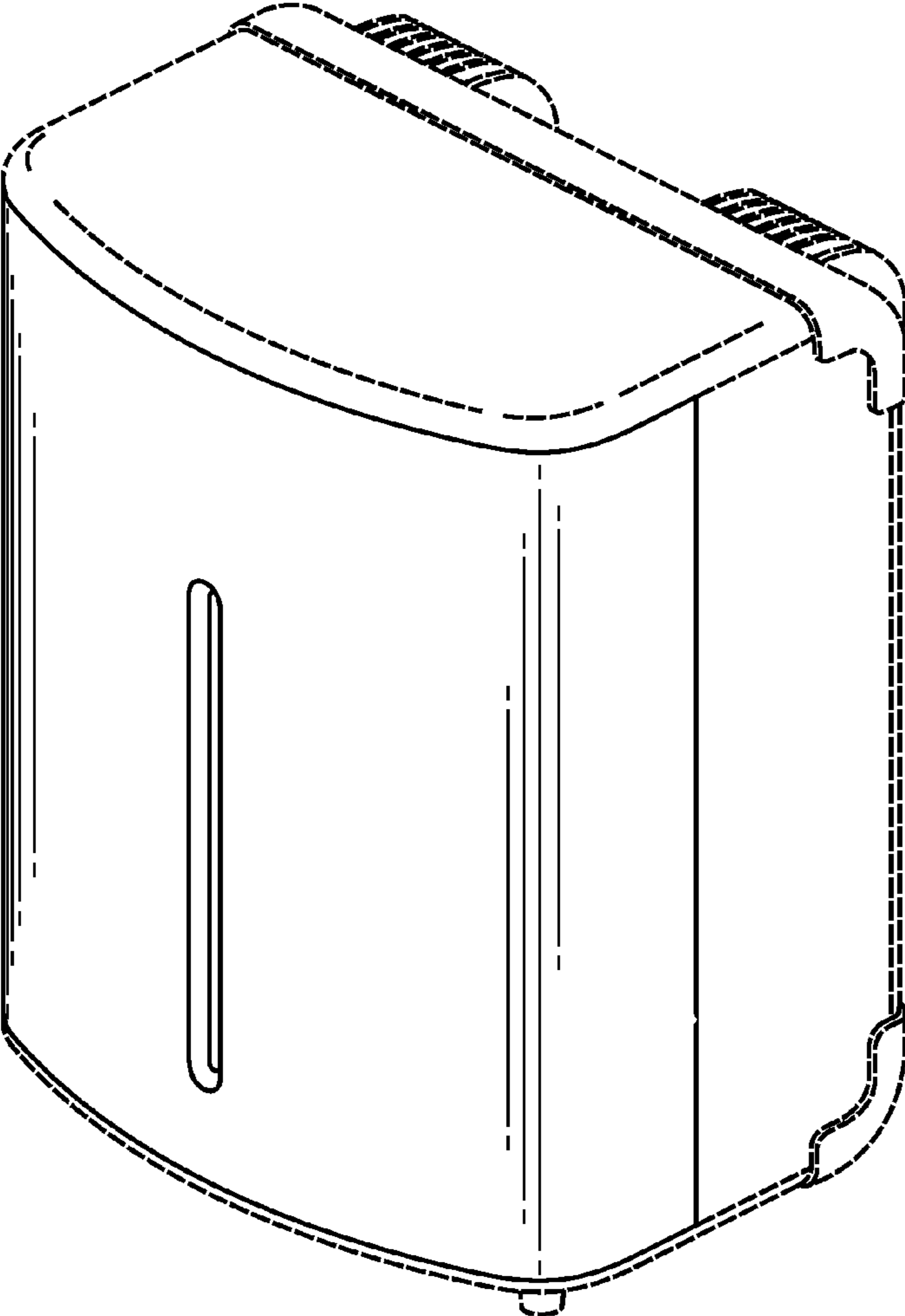


FIG. 1

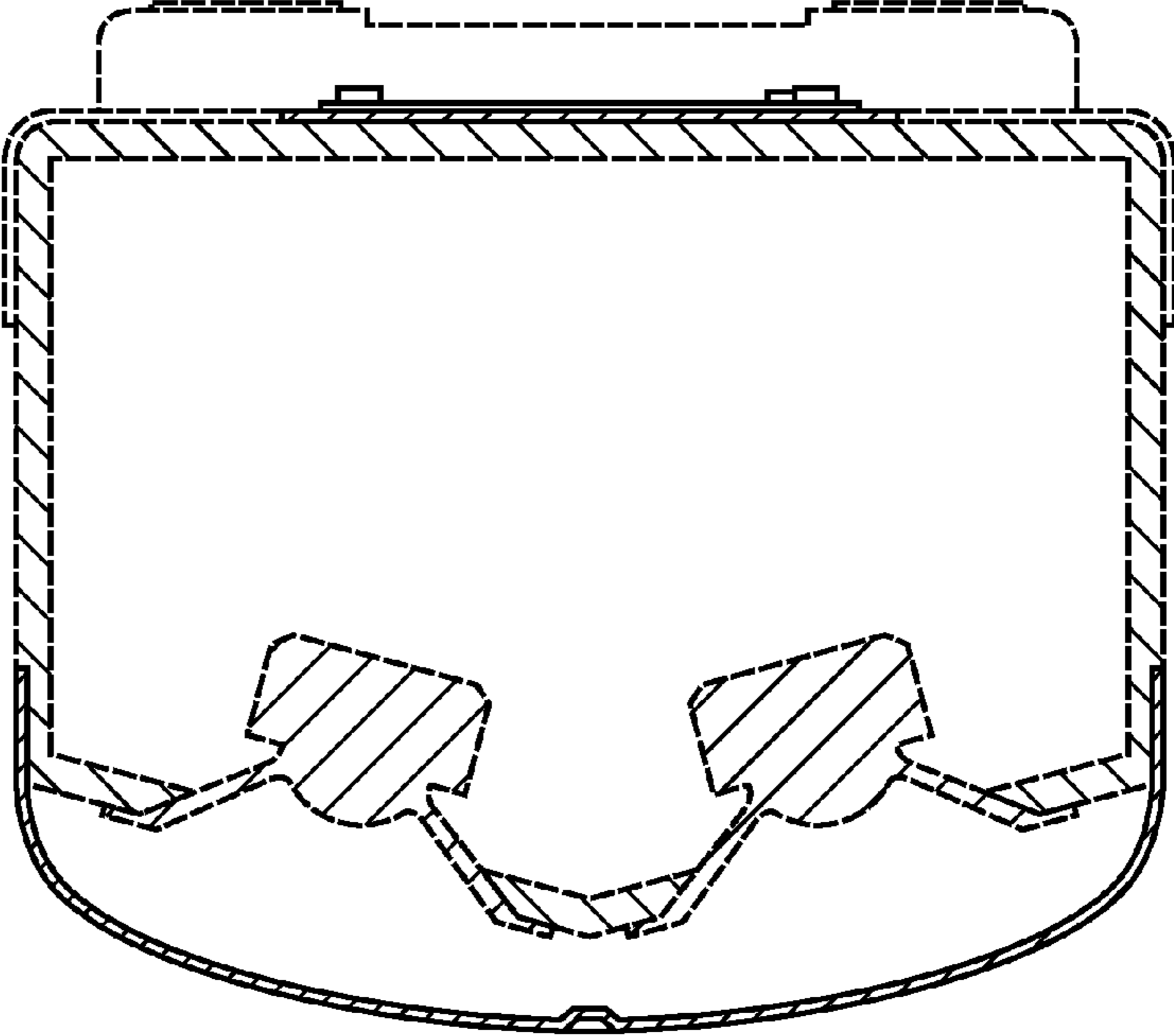


FIG. 8

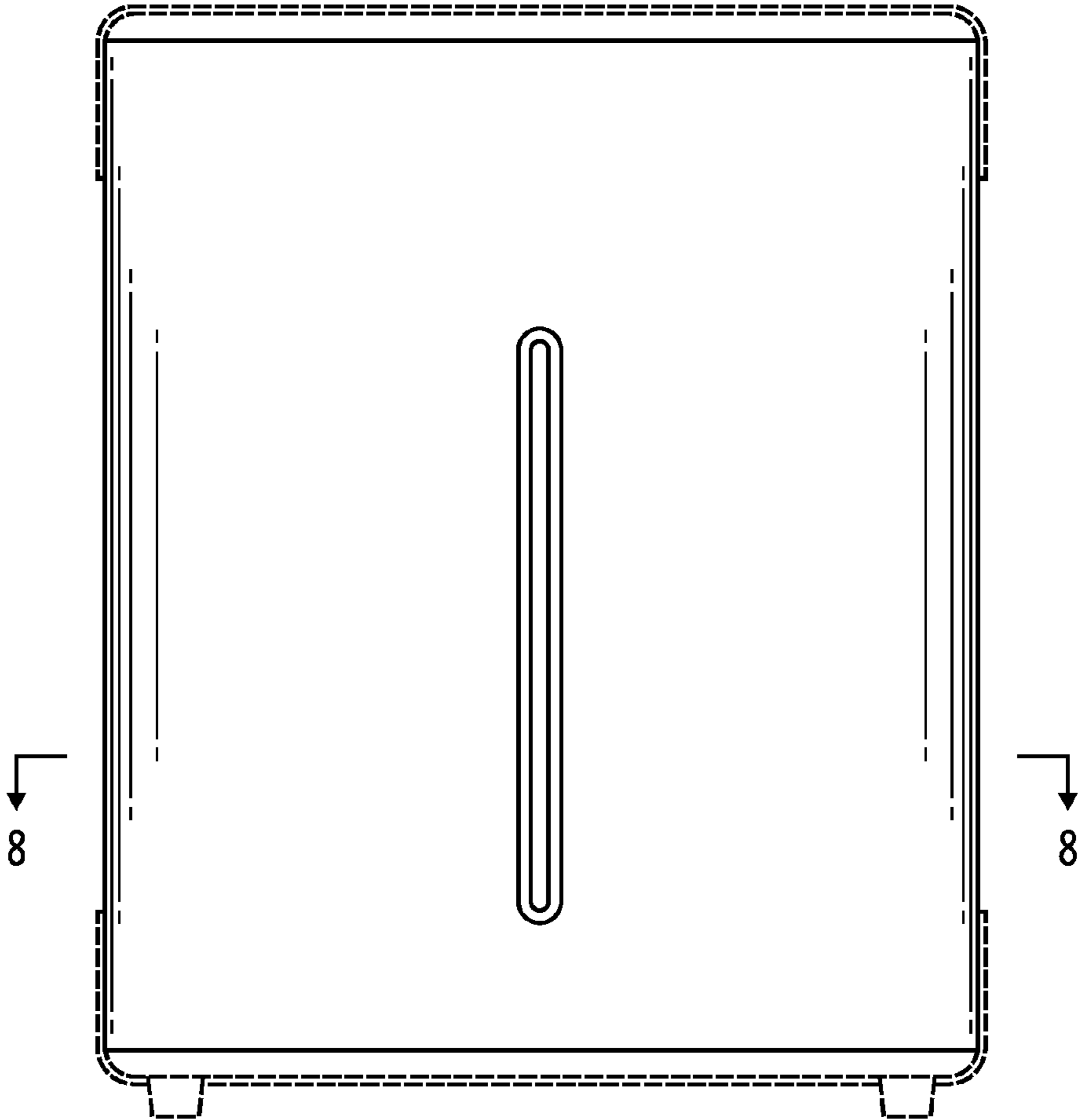


FIG. 2

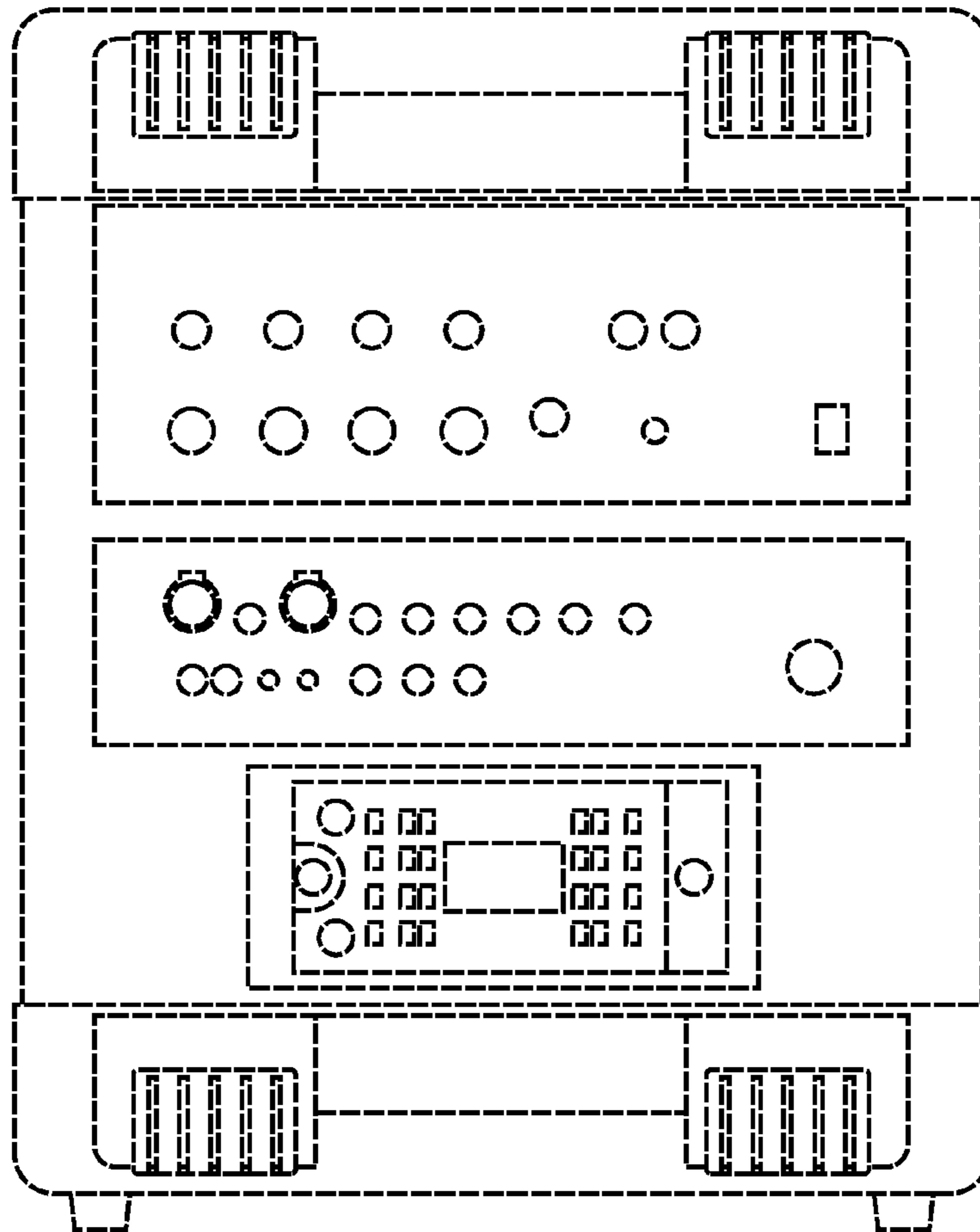


FIG. 3

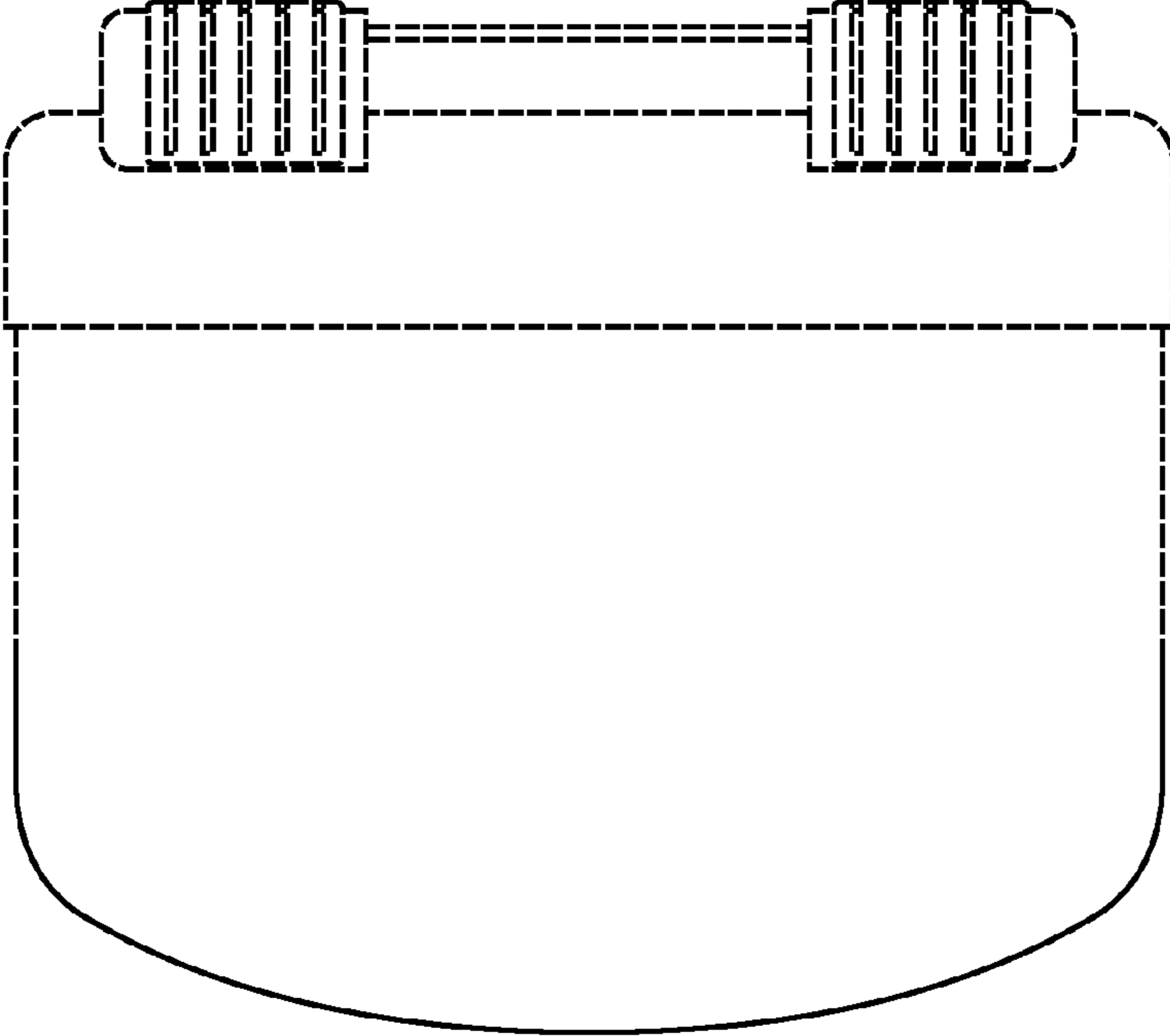


FIG. 4

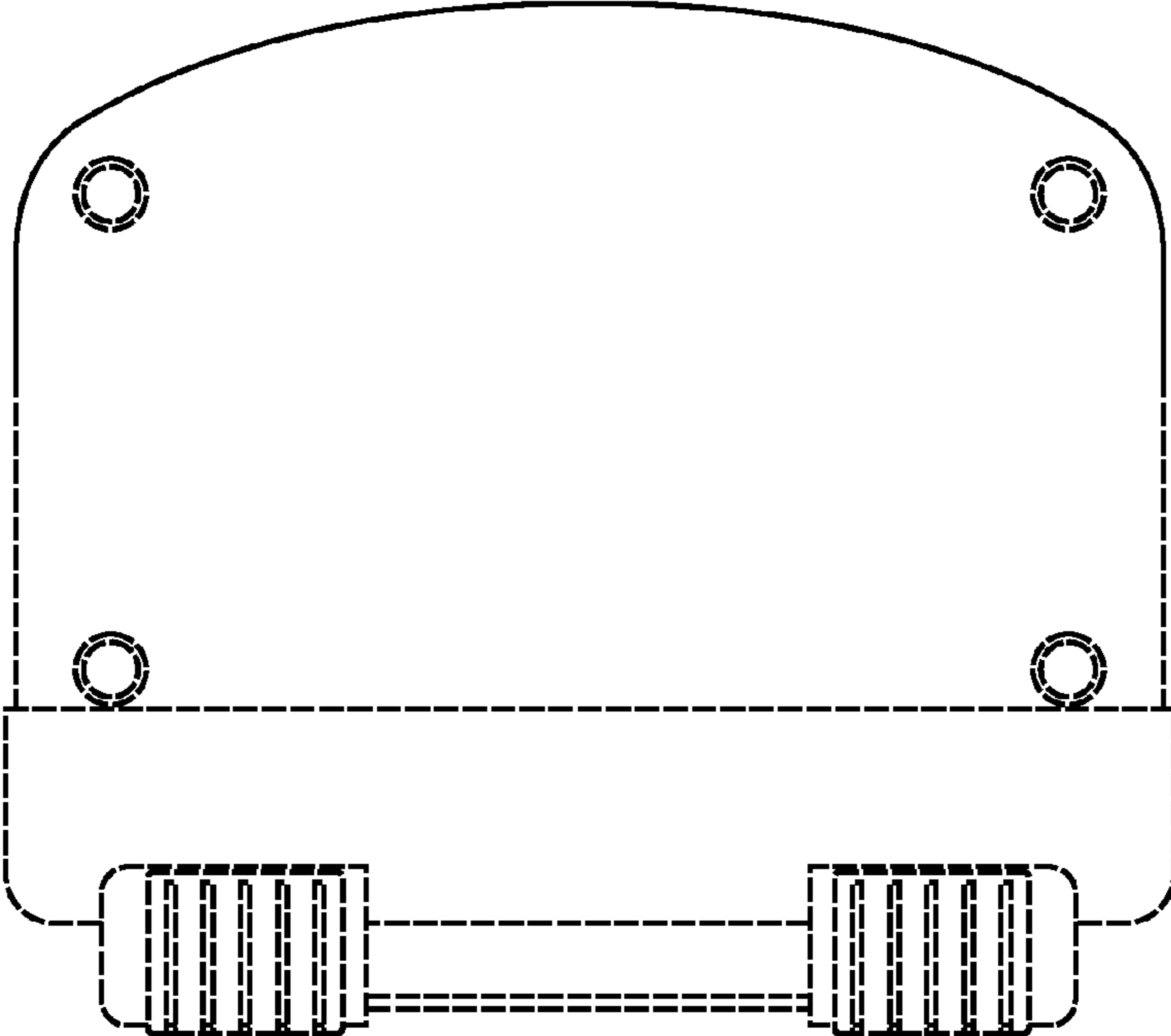


FIG. 5

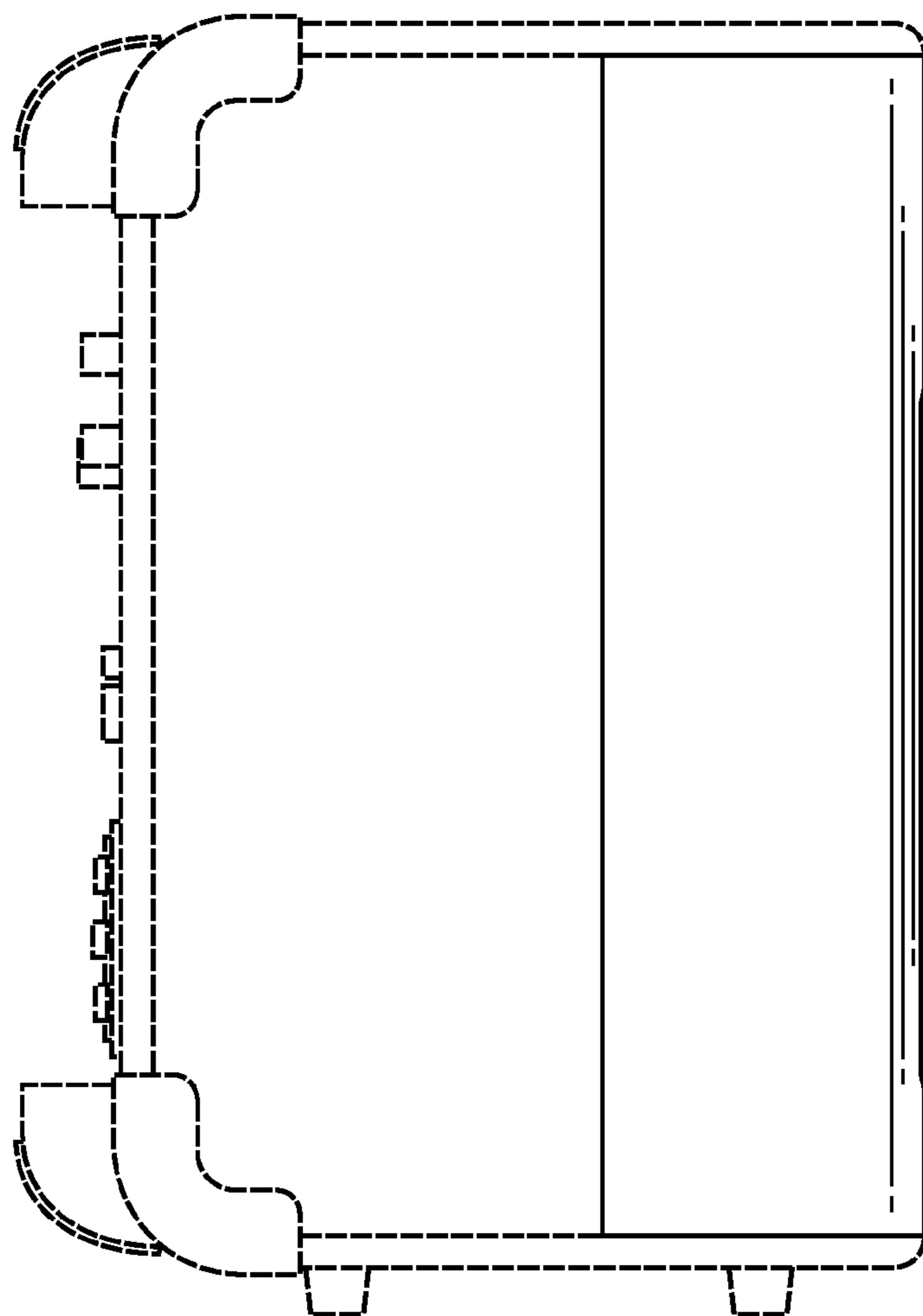


FIG. 6

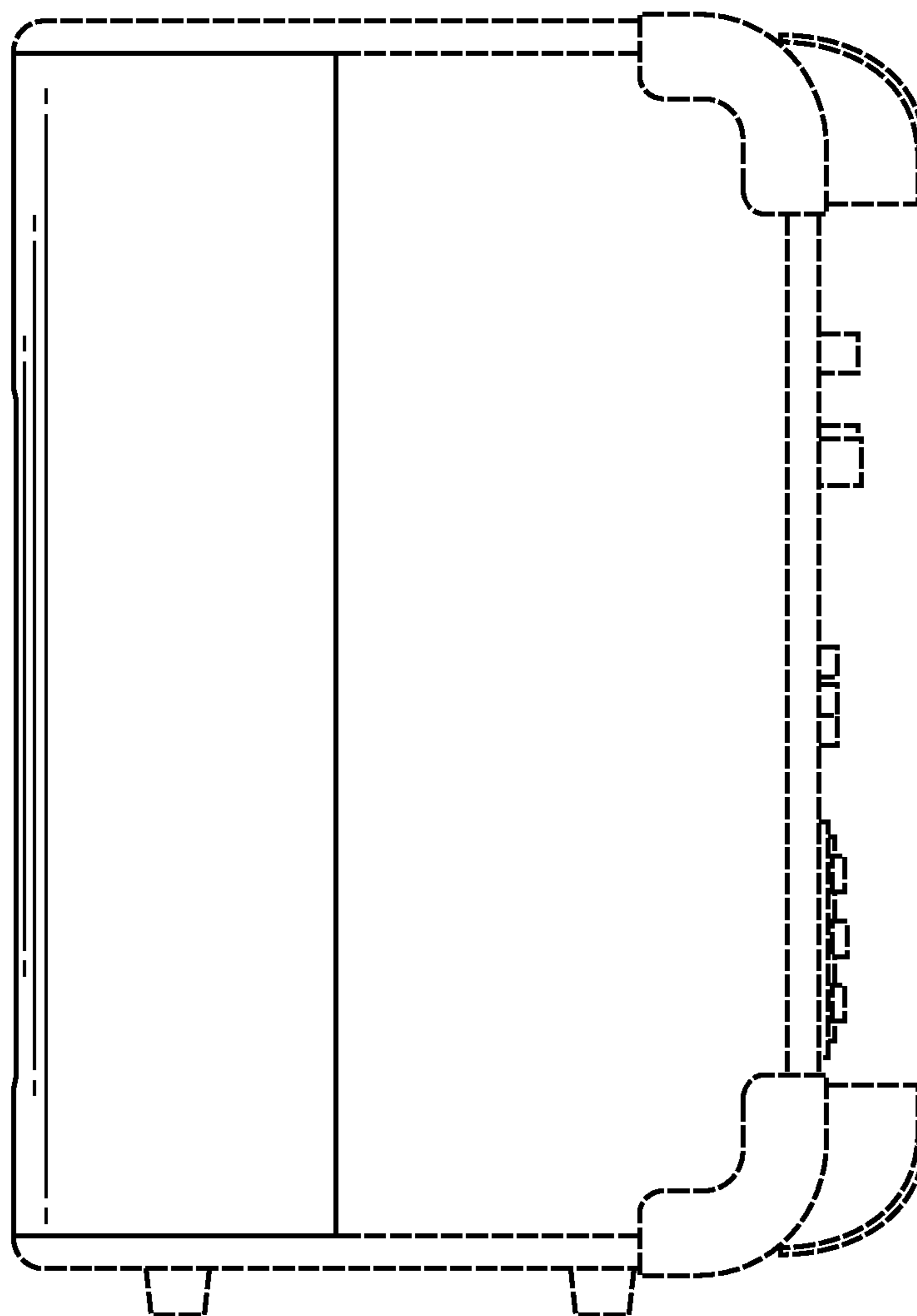


FIG. 7

UNITED STATES PATENT AND TRADEMARK OFFICE
CERTIFICATE OF CORRECTION

PATENT NO. : D643,406 S
APPLICATION NO. : 29/354944
DATED : August 16, 2011
INVENTOR(S) : Yoshinobu Morimoto and Koichi Nakao

Page 1 of 1

It is certified that error appears in the above-identified patent and that said Letters Patent is hereby corrected as shown below:

Title page, item (73) Assignee:

Delete "International Business Machines Corporation, Armonk, NY (US)" and insert --Roland Corporation, Shizuoka-ken (JP)--

Signed and Sealed this
Twenty-sixth Day of March, 2013



Teresa Stanek Rea
Acting Director of the United States Patent and Trademark Office