



US00D643405S

(12) **United States Design Patent**
Rath

(10) **Patent No.:** **US D643,405 S**

(45) **Date of Patent:** **** Aug. 16, 2011**

(54) **HEADSETS**

(75) Inventor: **Klaus Rath**, Gentofte (DK)

(73) Assignee: **GN Netcom A/S** (DK)

(**) Term: **14 Years**

(21) Appl. No.: **29/380,024**

(22) Filed: **Nov. 29, 2010**

Related U.S. Application Data

(62) Division of application No. 29/337,734, filed on May 28, 2009, now Pat. No. Des. 628,189.

(30) **Foreign Application Priority Data**

Dec. 1, 2008 (EM) 001048862-0001/0009

(51) **LOC (9) Cl.** **14-01**

(52) **U.S. Cl.** **D14/206**

(58) **Field of Classification Search** D14/205,
D14/206, 223; 181/129, 130, 135; 379/430,
379/431, 420.04, 433.01, 433.03; 381/380,
381/381, 370; 455/90.3, 575.1, 569.1

See application file for complete search history.

(56) **References Cited**

U.S. PATENT DOCUMENTS

3,440,365	A *	4/1969	Hazell et al.	379/430
4,020,297	A *	4/1977	Brodie	379/430
D286,874	S	11/1986	Bertagna et al.	
4,917,504	A *	4/1990	Scott et al.	381/381
D337,116	S	7/1993	Hattori	
D337,587	S	7/1993	Nakayama	
5,260,997	A *	11/1993	Gathey et al.	379/430
5,450,496	A *	9/1995	Burris et al.	381/375
5,469,505	A	11/1995	Gathey et al.	
D377,020	S	12/1996	Bungardt et al.	
D394,437	S	5/1998	Landreth et al.	
6,154,539	A	11/2000	Pitel	
D478,901	S	8/2003	Rath et al.	
6,622,029	B1	9/2003	Skulley et al.	
D482,019	S	11/2003	Petersen et al.	
D484,137	S	12/2003	Wikel et al.	

D488,146	S	4/2004	Minto	
D494,154	S	8/2004	Polito	
D494,957	S	8/2004	Rath et al.	
D505,414	S	5/2005	Ko et al.	
D514,086	S	1/2006	Skulley	
D517,528	S	3/2006	Skulley	
D530,307	S	10/2006	Rath	
D531,165	S	10/2006	Rath	
D538,785	S *	3/2007	Skulley	D14/206
D540,778	S *	4/2007	Thompson et al.	D14/206
D574,368	S	8/2008	Chapman	
7,424,125	B2	9/2008	Amae et al.	
D578,508	S *	10/2008	Wang	D14/206
D587,683	S	3/2009	Ham et al.	
D587,684	S	3/2009	Ham et al.	
D589,932	S *	4/2009	Komiyama	D14/205
D590,372	S *	4/2009	Melin	D14/206
D592,640	S *	5/2009	Tkachuk	D14/205
D597,683	S	8/2009	Baccarni	

(Continued)

Primary Examiner — Paula Greene

(74) *Attorney, Agent, or Firm* — Altera Law Goup, LLC

(57) **CLAIM**

The ornamental design for a headsets, as shown and described.

DESCRIPTION

FIG. 1 is a perspective view of headsets showing my new design;

FIG. 2 is a side view thereof;

FIG. 3 is a back view thereof;

FIG. 4 is a top view thereof;

FIG. 5 is a bottom view thereof;

FIG. 6 is a side view thereof;

FIG. 7 is a front view thereof;

FIG. 8 is a perspective view thereof;

FIG. 9 is a side view thereof;

FIG. 10 is a back view thereof;

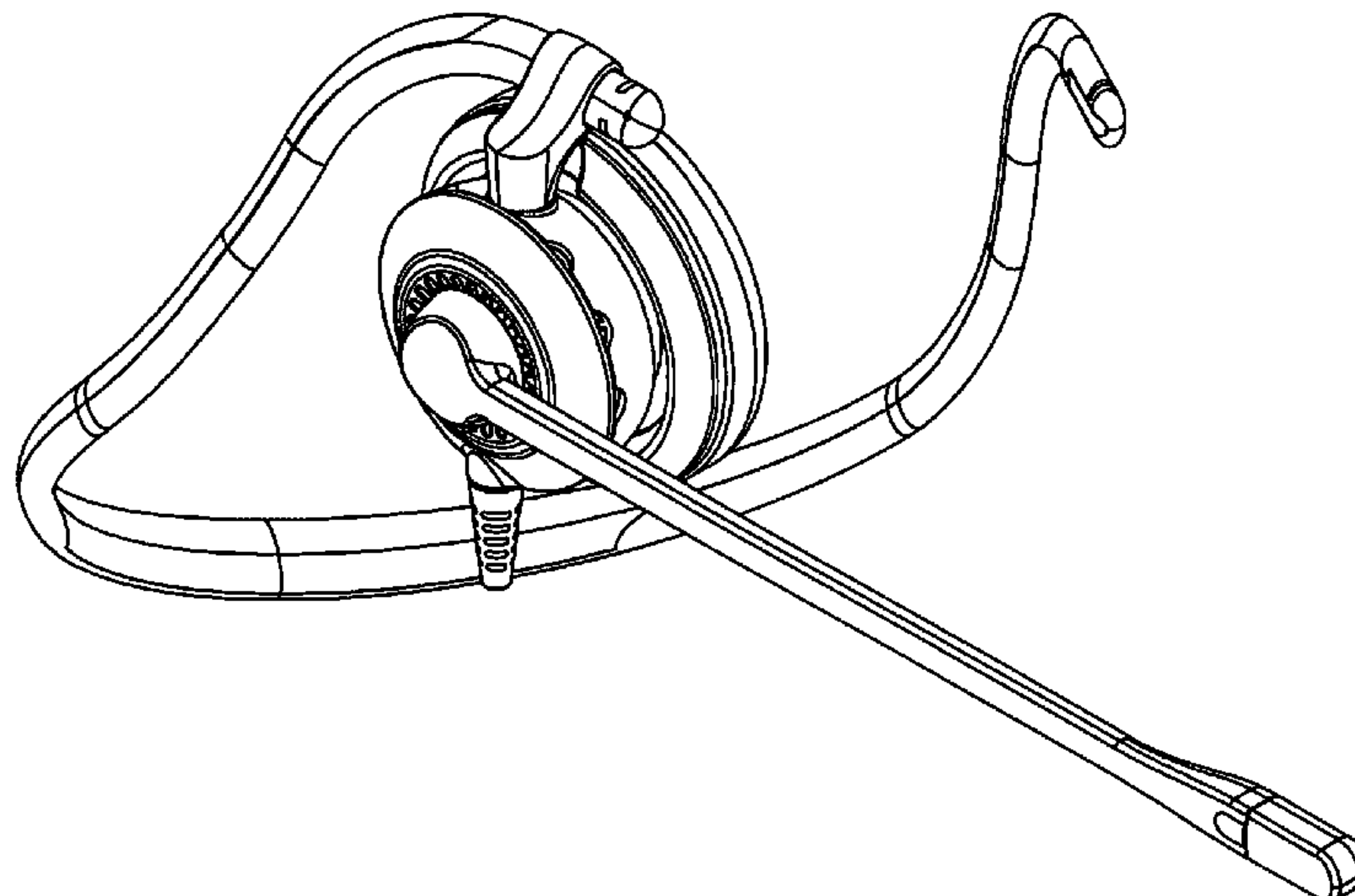
FIG. 11 is a top view thereof;

FIG. 12 is a bottom view thereof;

FIG. 13 is a side view thereof; and,

FIG. 14 is a top view thereof.

1 Claim, 6 Drawing Sheets



US D643,405 S

Page 2

U.S. PATENT DOCUMENTS

D601,126 S *	9/2009	Christopher et al.	D14/206	D606,048 S *	12/2009	Soetejo et al.	D14/223
D601,543 S	10/2009	Bentley		D617,780 S *	6/2010	Jaakkola et al.	D14/223
D602,001 S	10/2009	Bentley		D628,189 S *	11/2010	Rath	D14/206

* cited by examiner

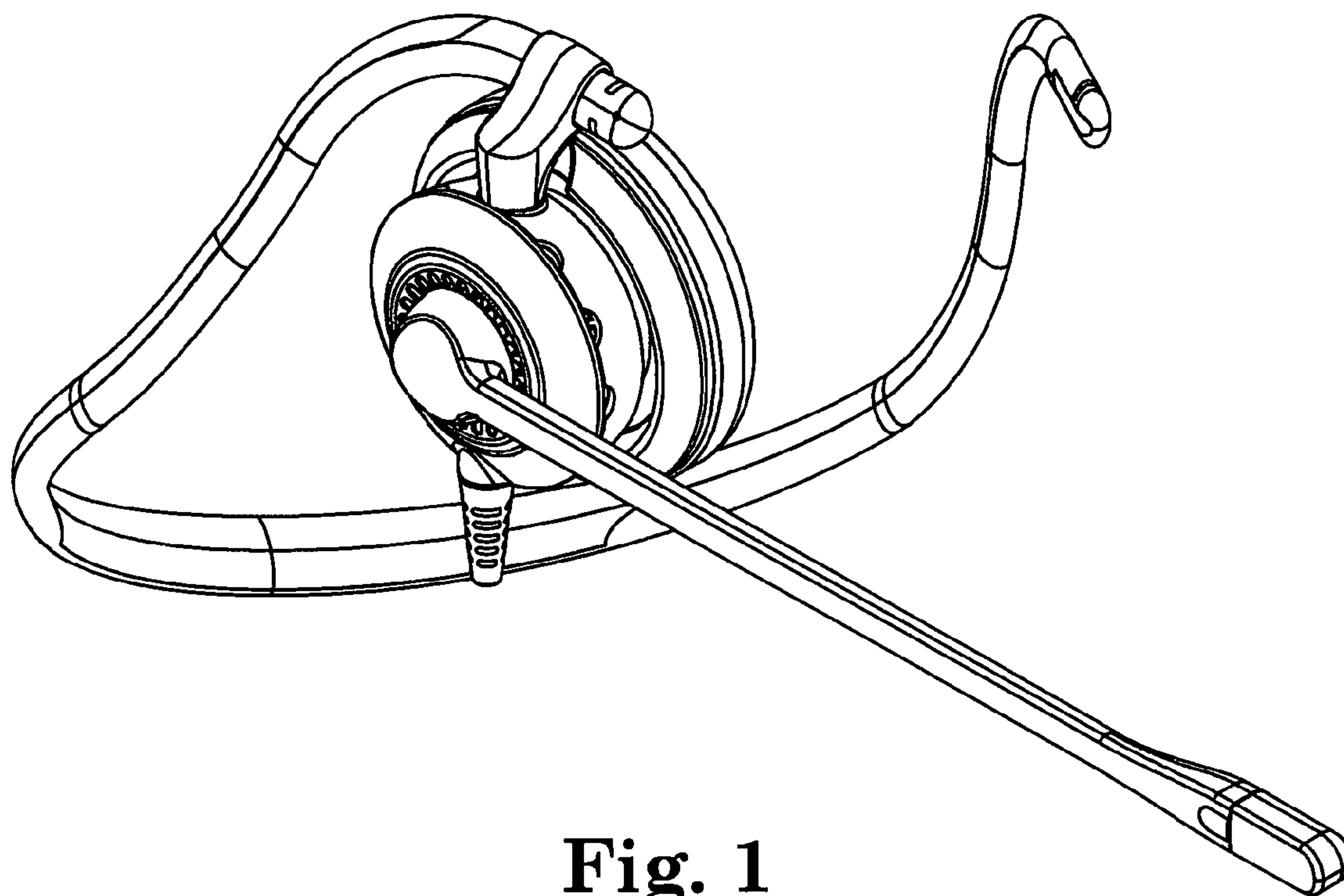


Fig. 1

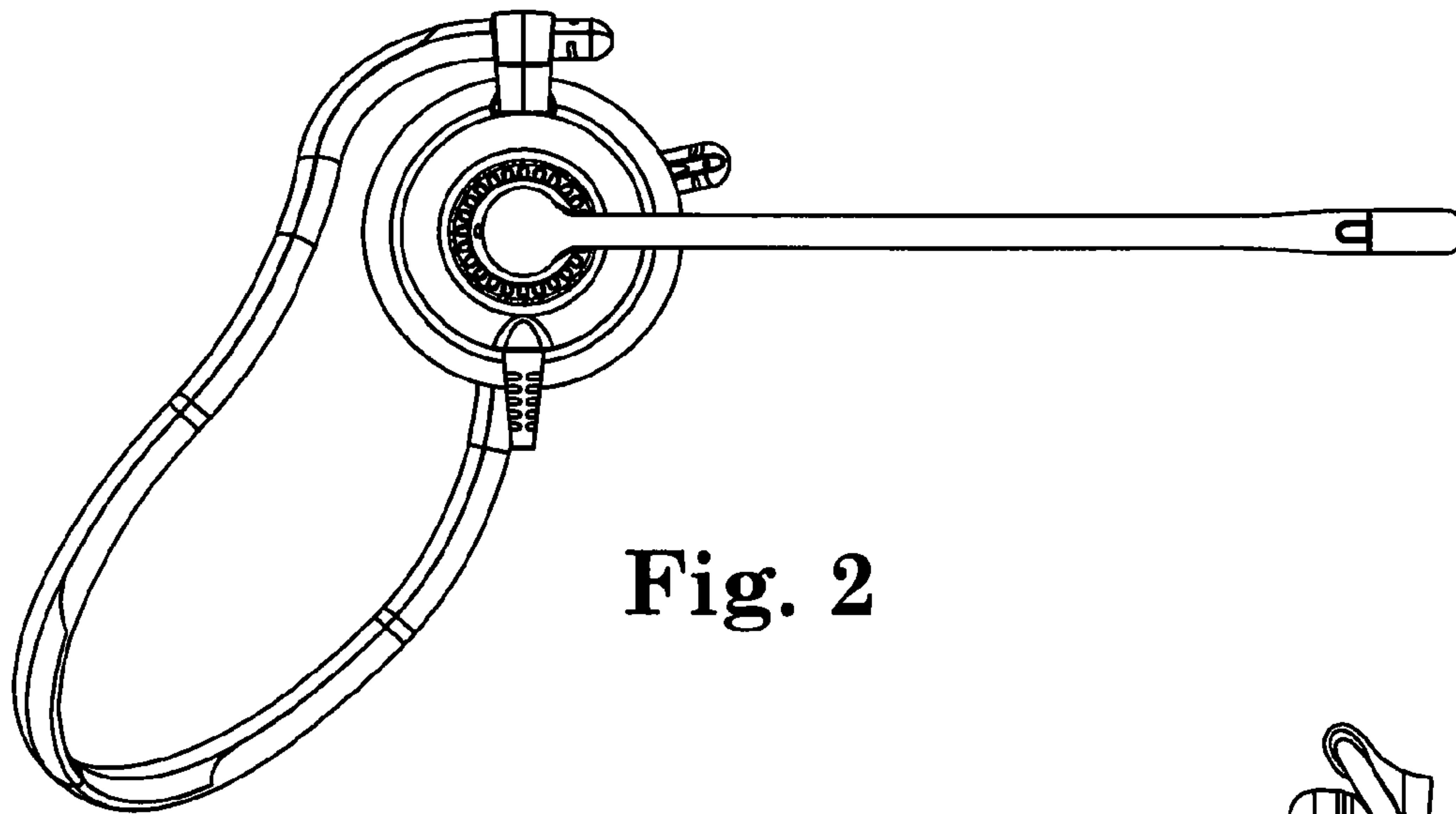


Fig. 2

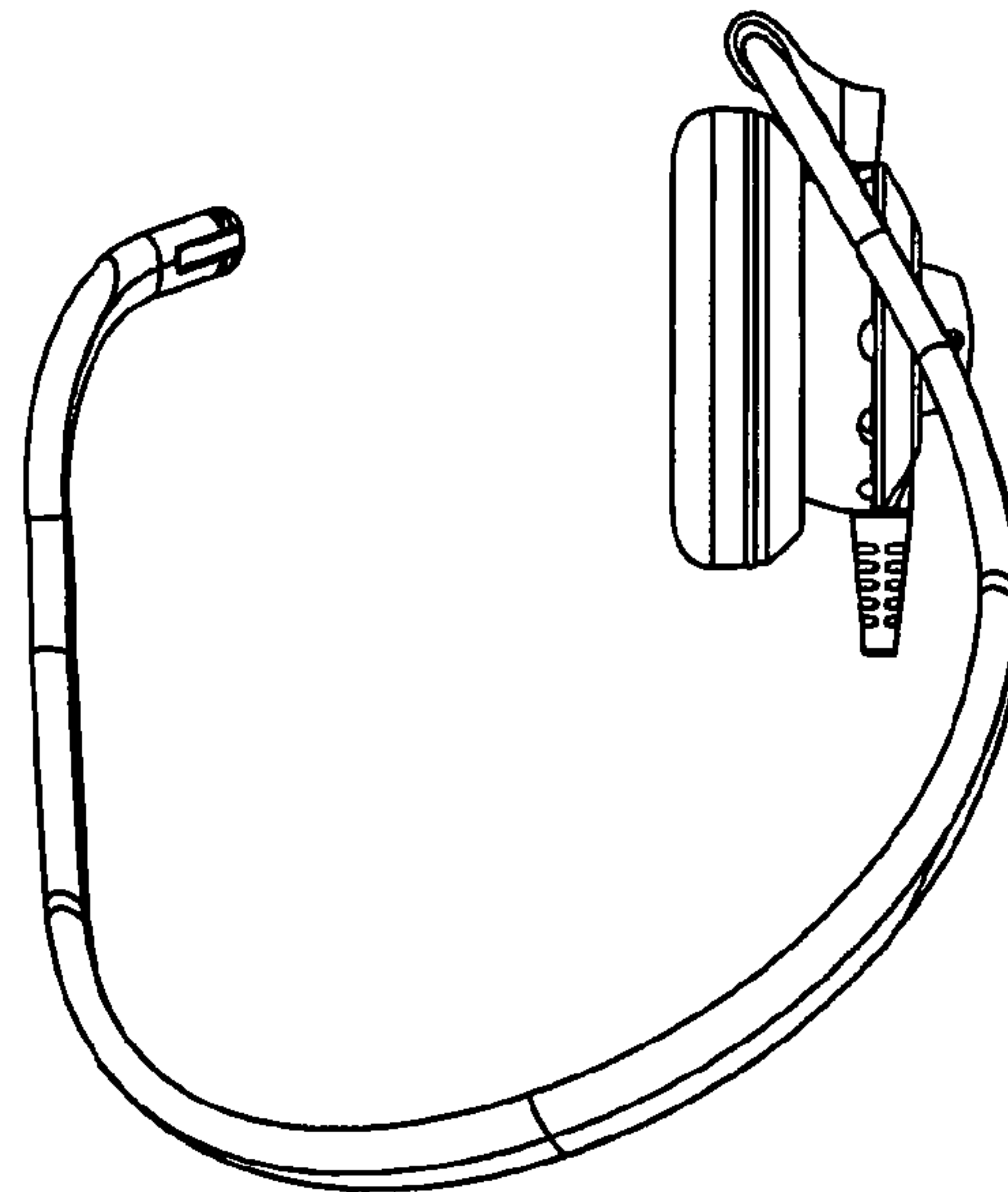


Fig. 3

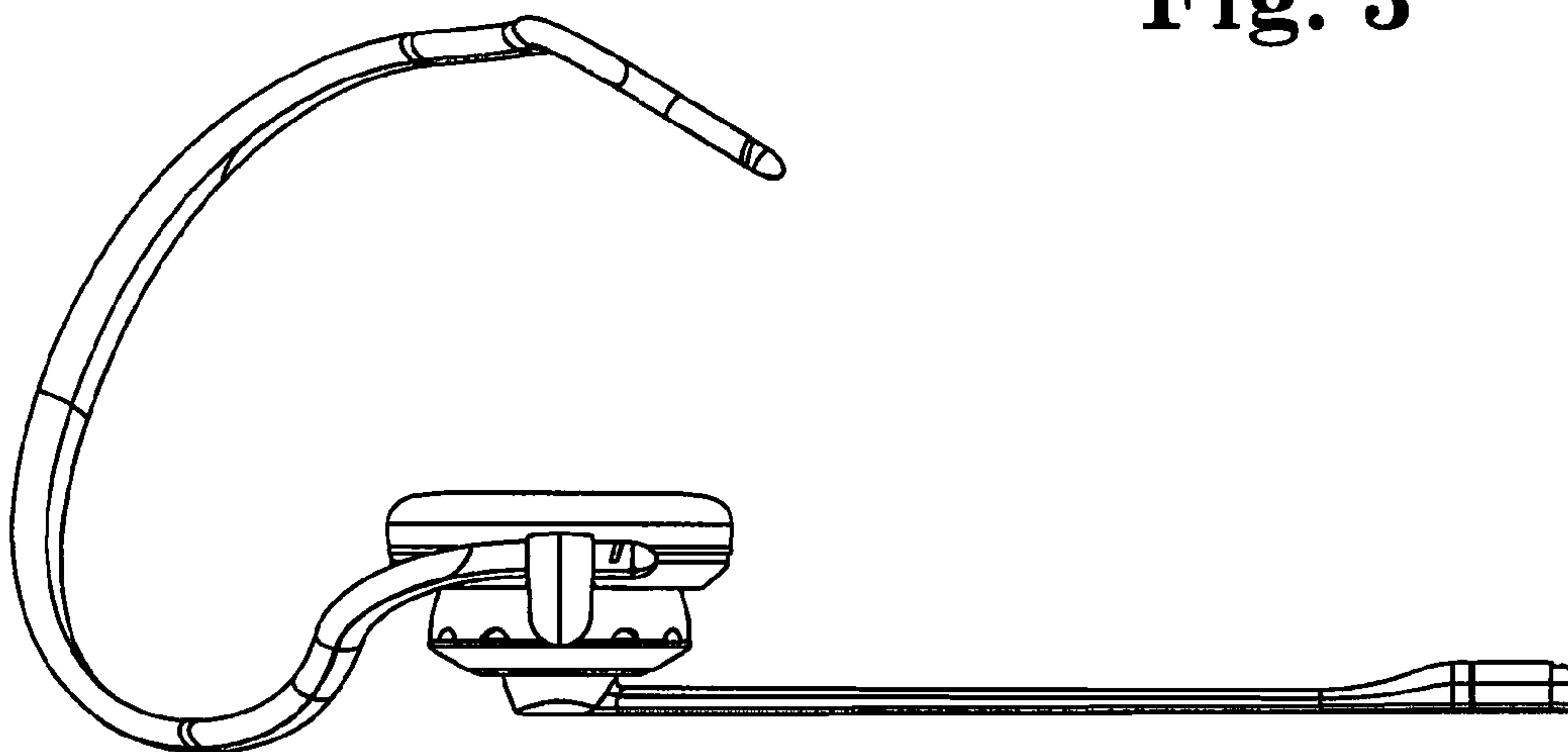


Fig. 4

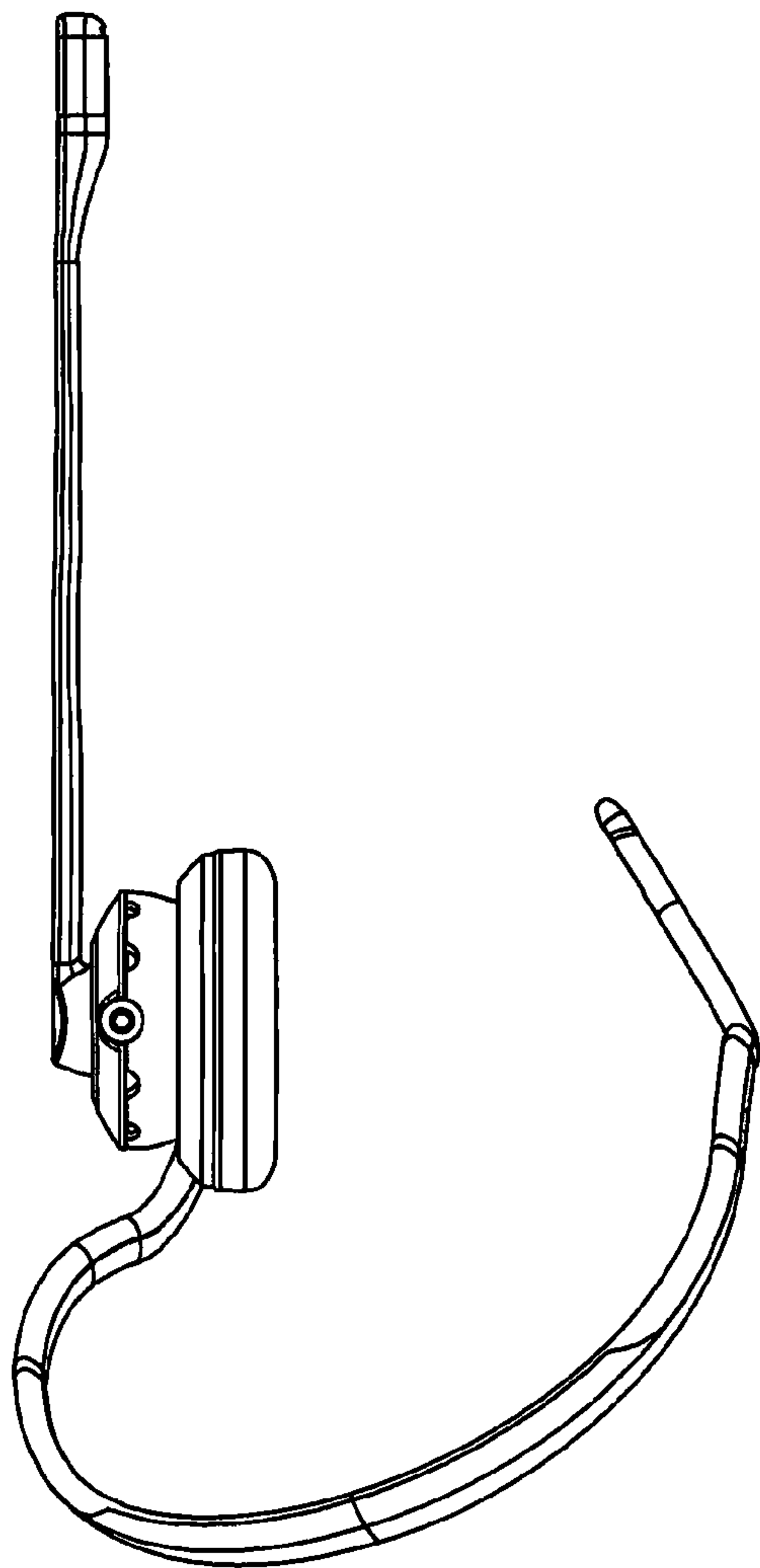


Fig. 5

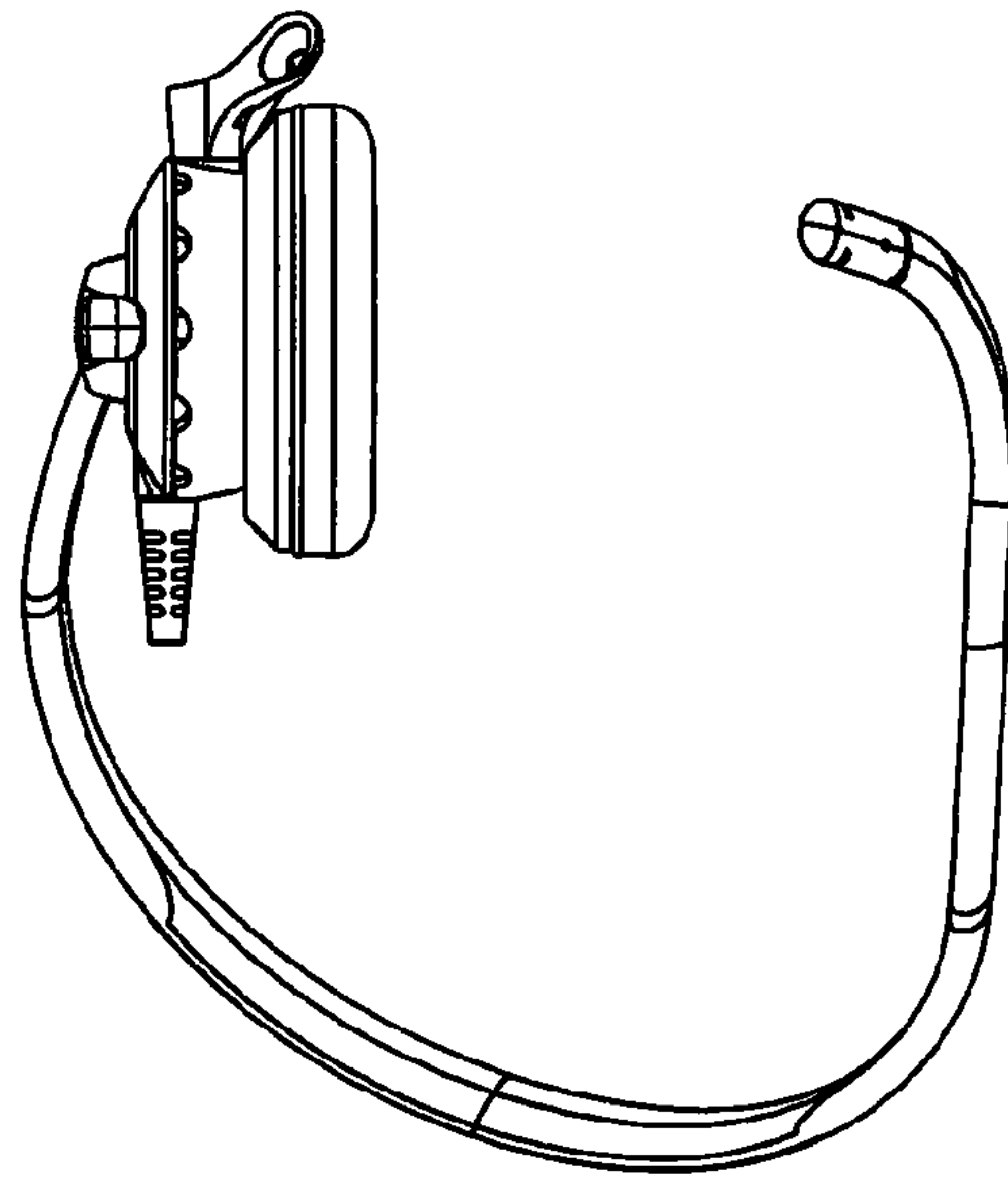


Fig. 7

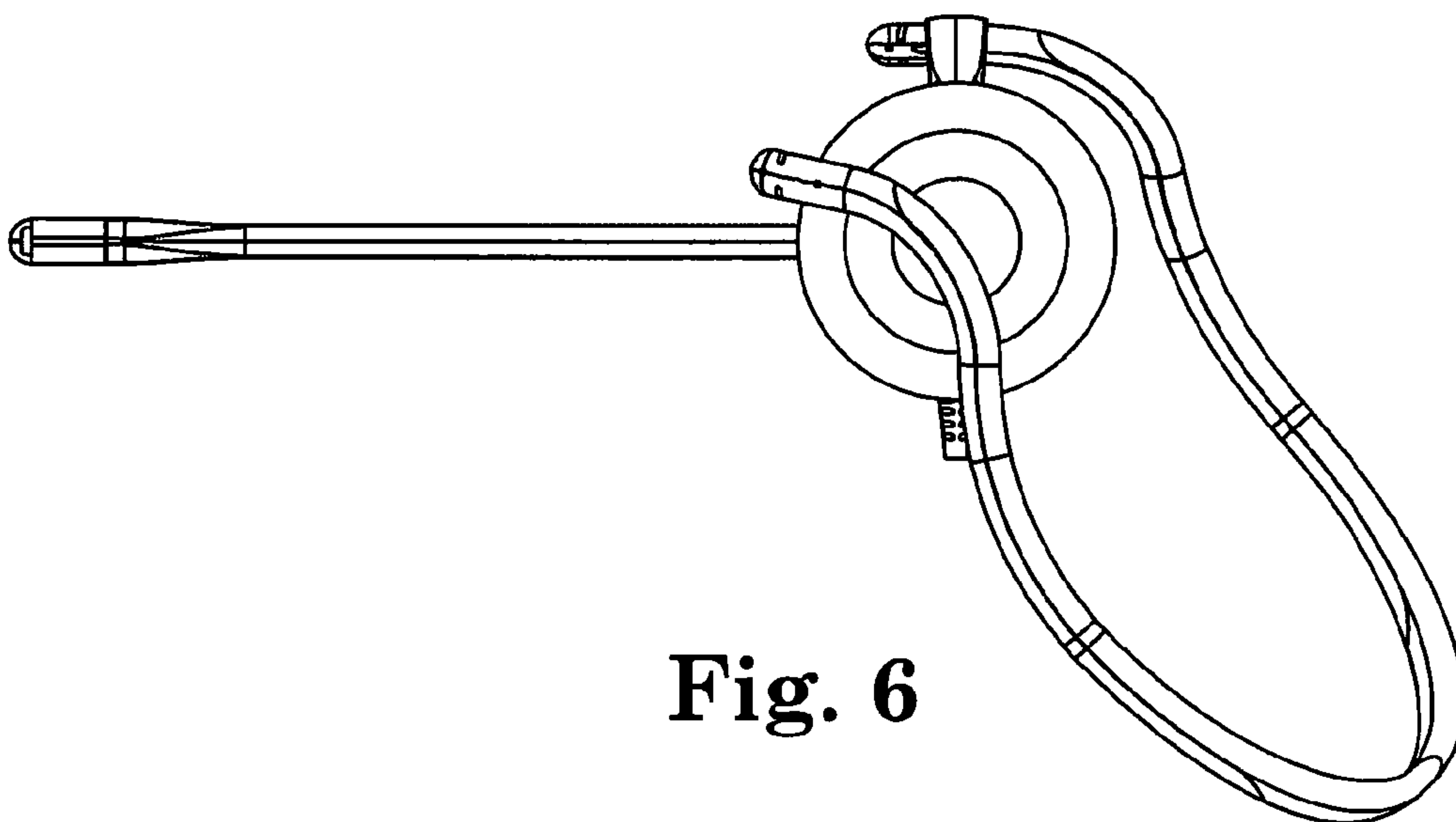


Fig. 6

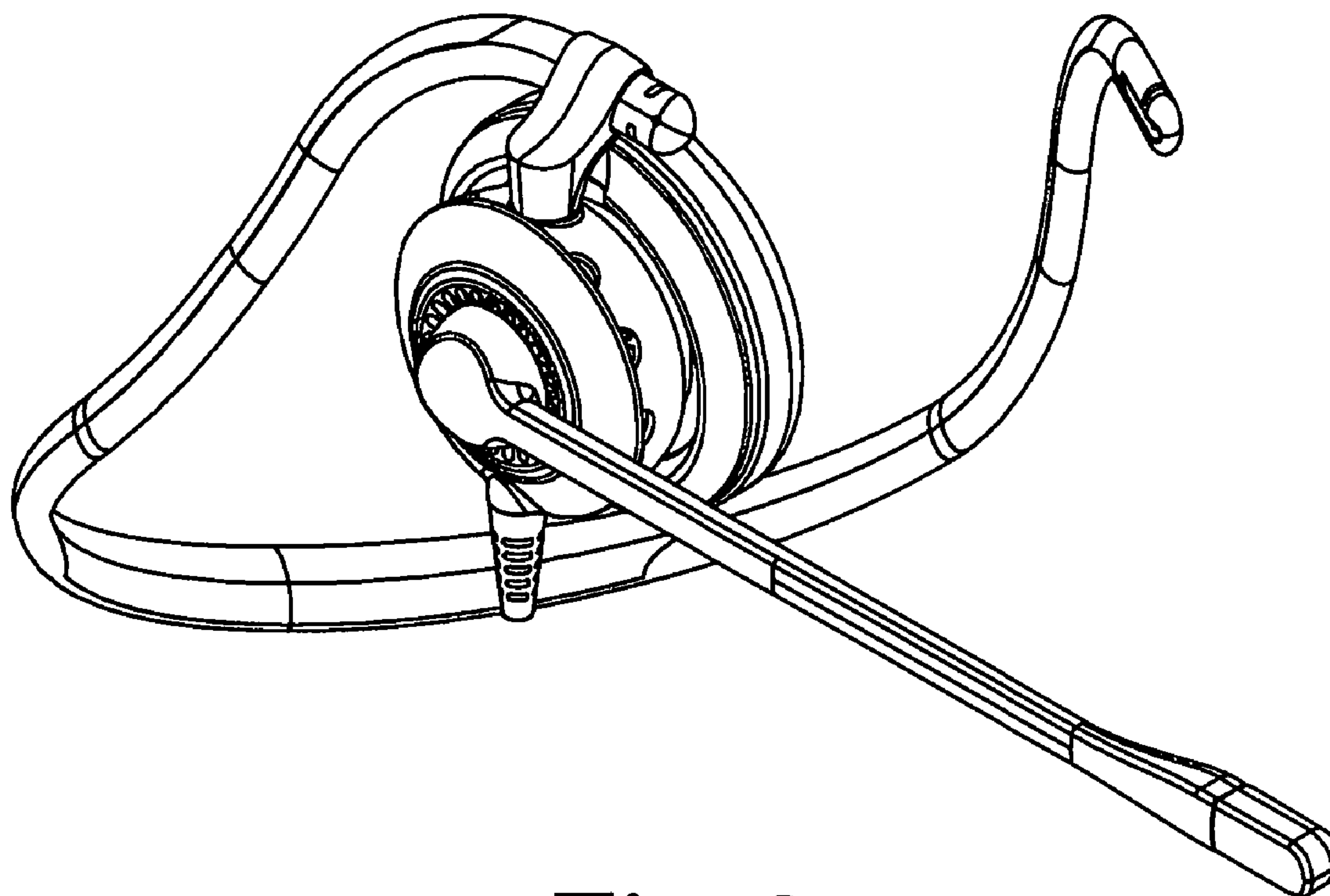


Fig. 8

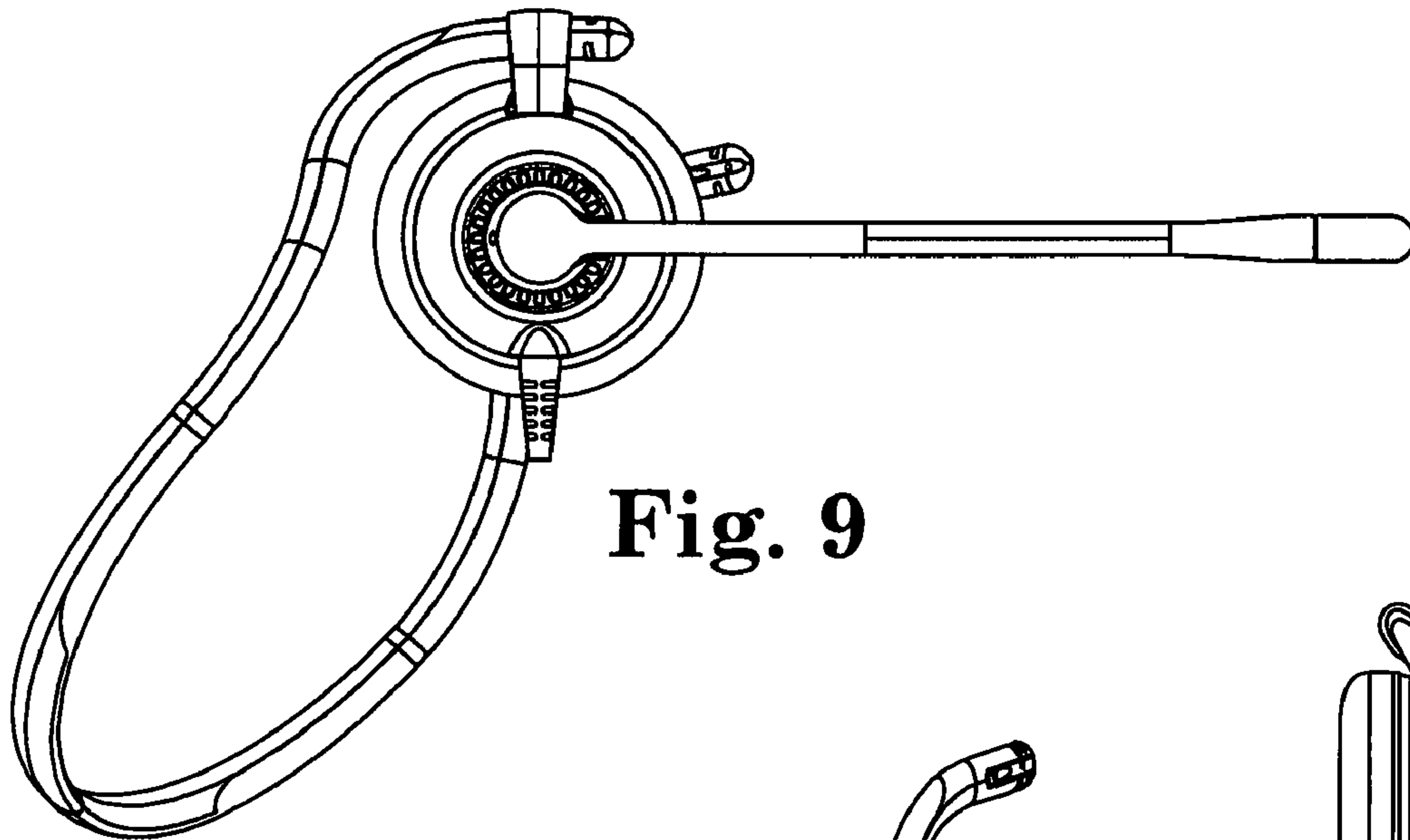


Fig. 9

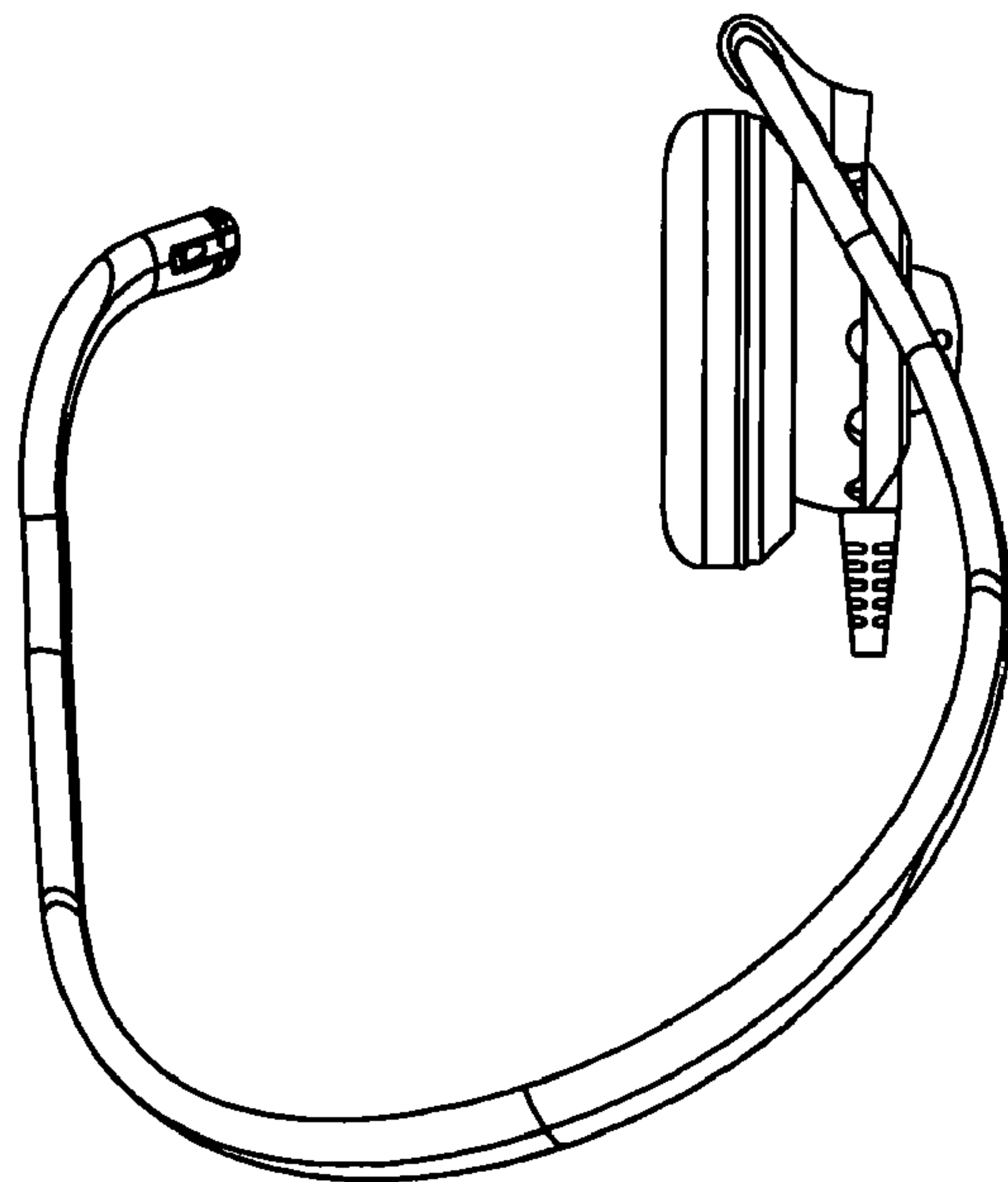


Fig. 10

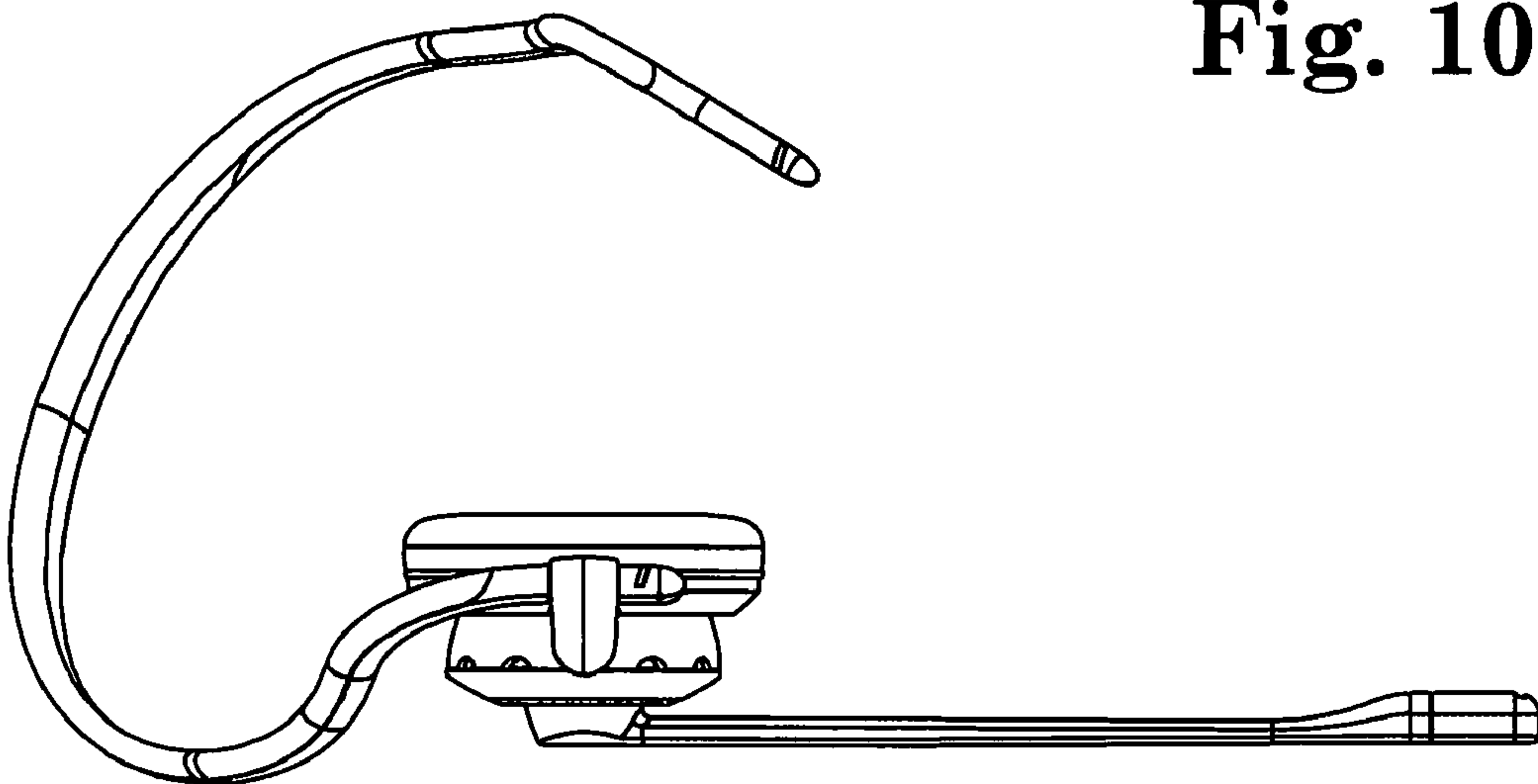


Fig. 11

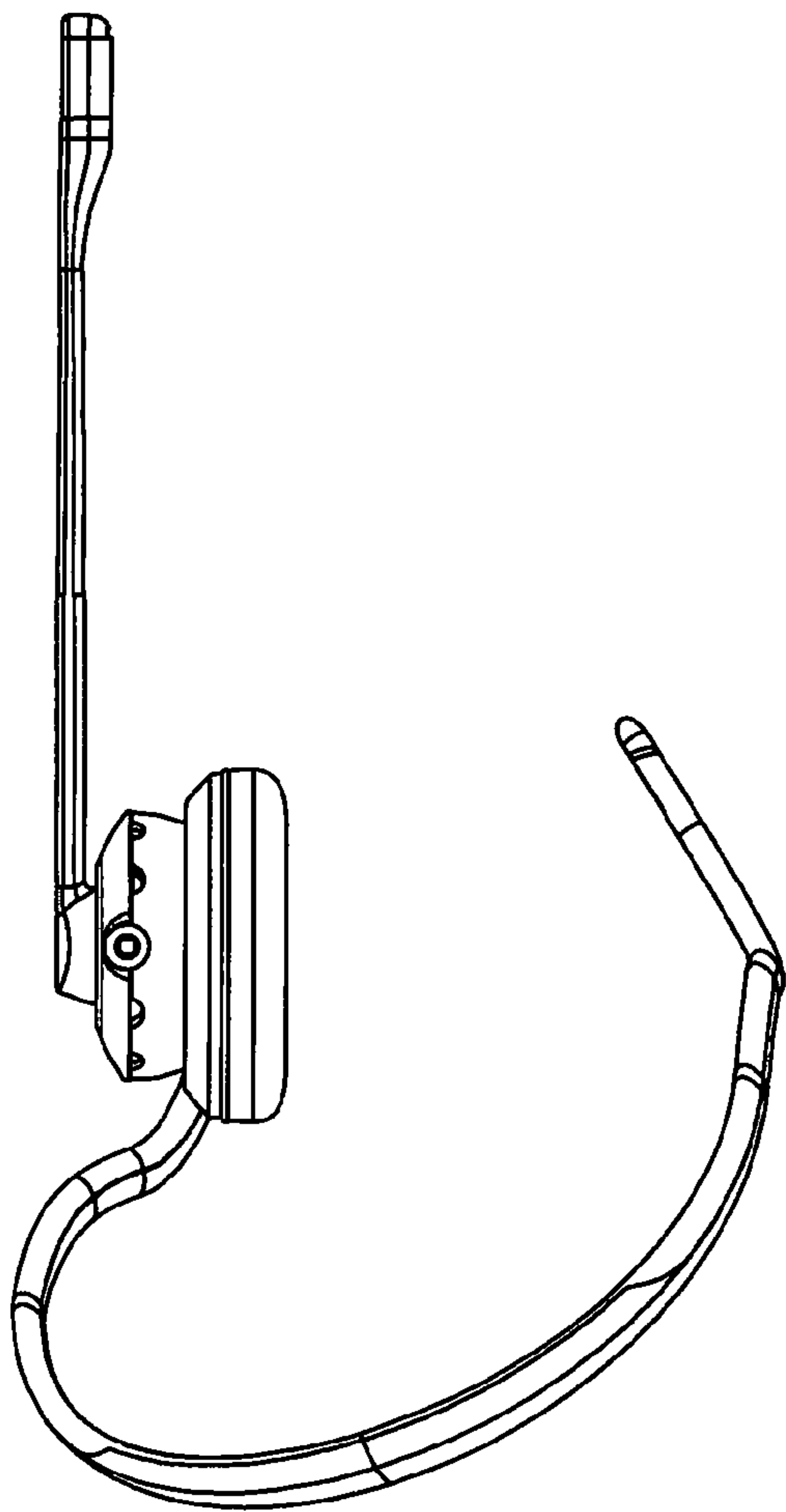


Fig. 12

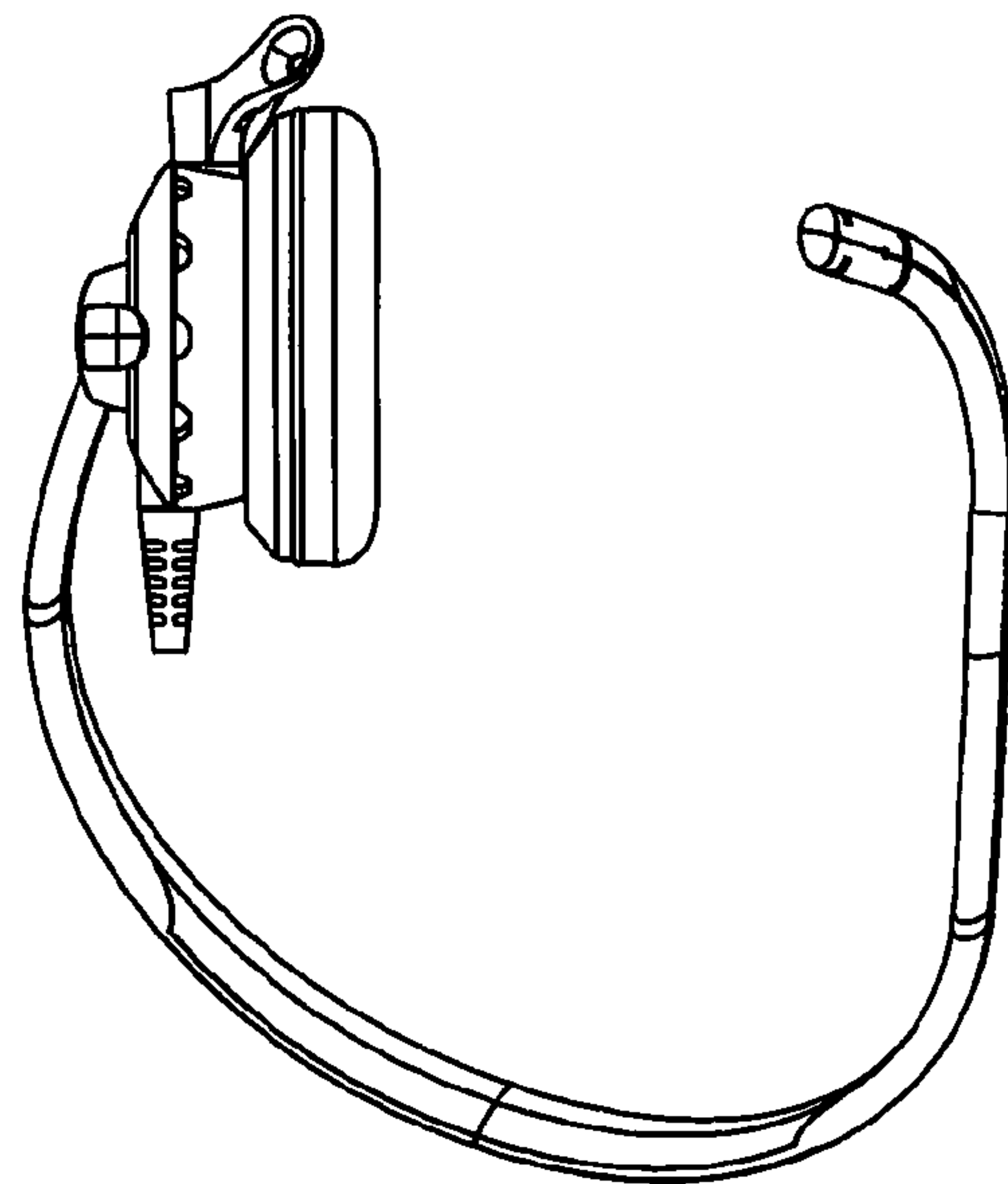


Fig. 14

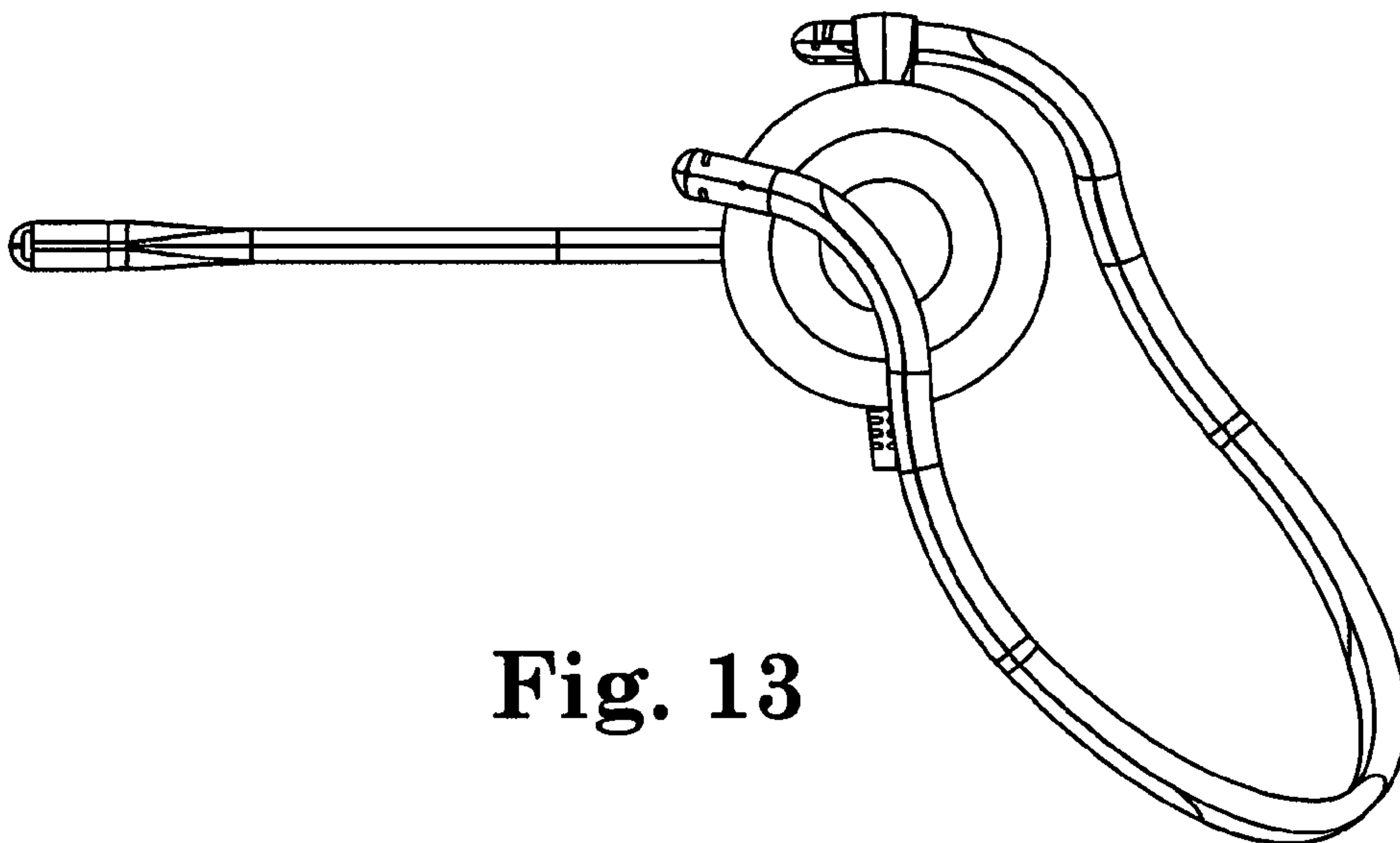


Fig. 13